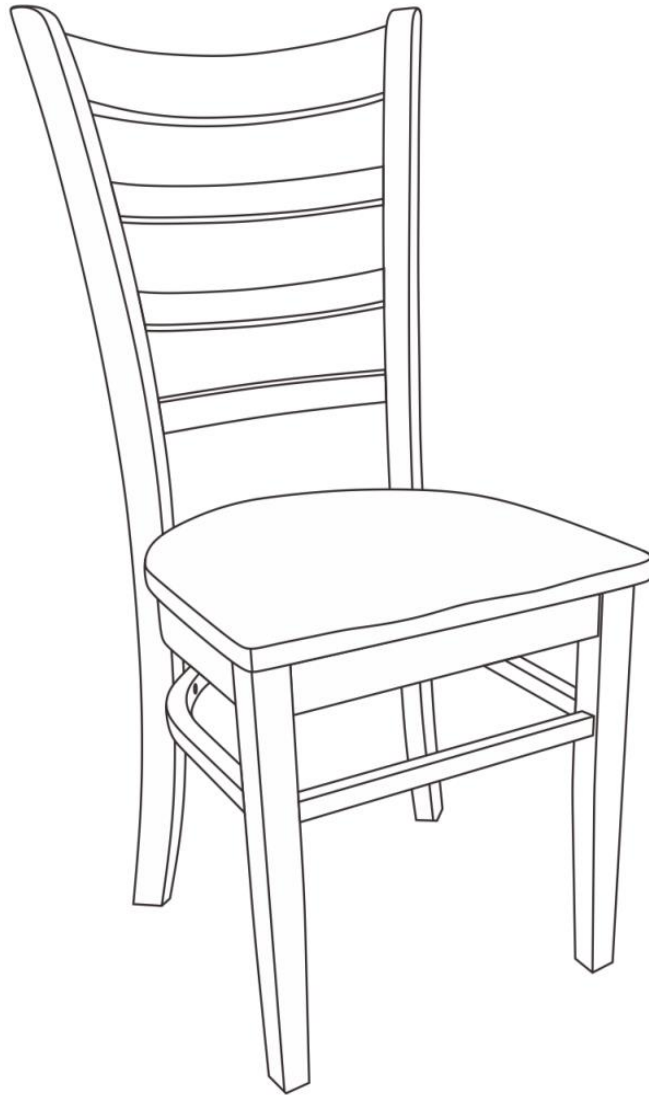


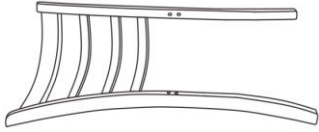
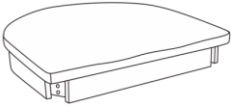
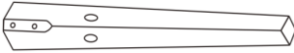


# Assembly Instructions

**Caution: Please read this carefully before you proceed**

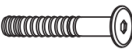

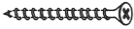



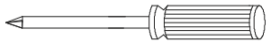
## Chair



## Part List

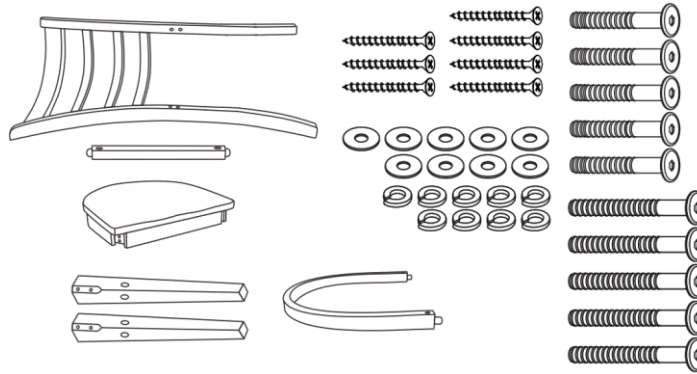
Label	Picture	Description	QTY
A		Chair Back	1
B		Chair Seat	1
C		Chair Leg	2
D		Front Stretcher	1
E		Back Stretcher	1






## Hardware

Label	Picture	Description	QTY
①		Bolt (M6x45mm)	5
②		Bolt (M6x50mm)	5
③		Screw (M4x32mm)	7
④		Spring Washer	9
⑤		Washer	9
⑥		Allen Key	1
⑦		Screwdriver (Not provided)	1

## Assembly Preparation

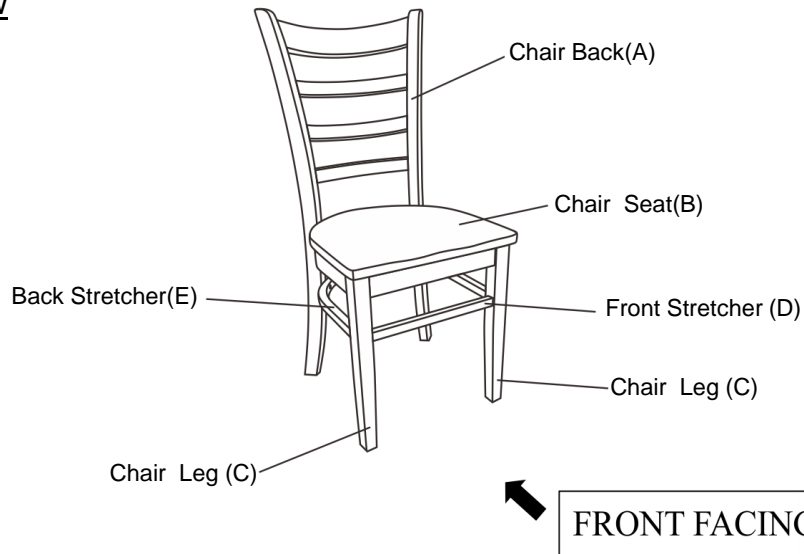
Before Beginning Assembly:



-  • Read instructions, cover to cover-
-  • Have 2 adults on hand for assembly-
-  • Do not assemble on flooring or carpet-
-  • Assemble on a clean non-marring surface (packing foam)-
-  • Save all packaging until finished-

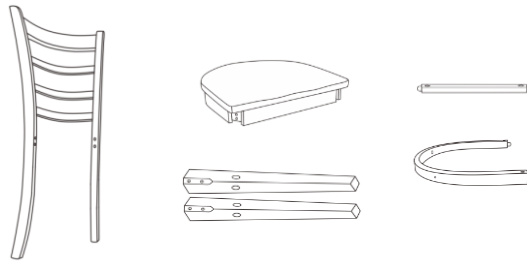
## Assembly Steps

Overview



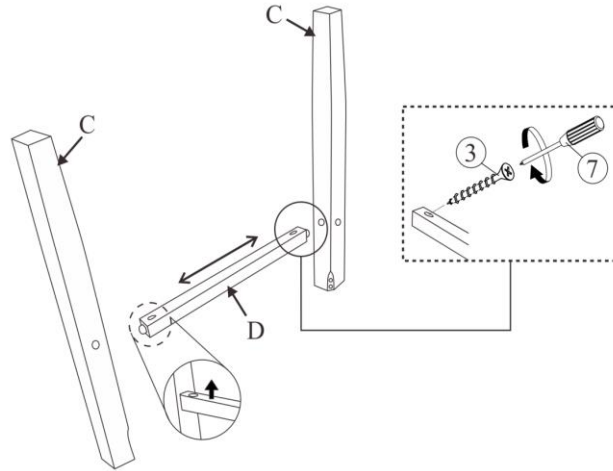
This Chair has multiple parts and may require up to 30 minutes to assemble. To give you an overview of the Chair parts, the above picture is provided to help you put the various parts into perspective. Please read through the instructions below to familiarise yourself with the parts and steps before assembly.

**Step 1**



Place the Chair Back(A), Chair Seat(B), Chair Leg(C), Front Stretcher(D) and Back Stretcher(E) onto a clean, non-marring surface.

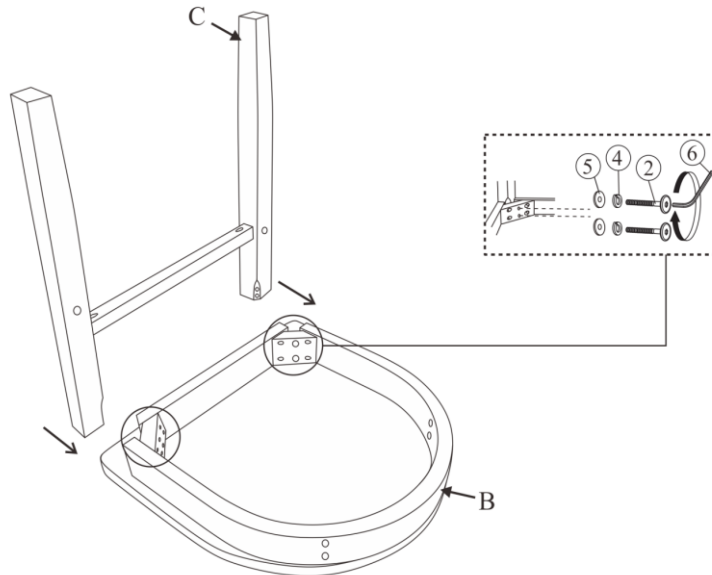
**Step 2**



Attach the Front Stretcher(D) to the Chair Leg(C), using Screws(③) and the Screwdriver(⑦).

**Note: Please ensure the drill holes on the Front Stretcher(D) are towards to ground.**

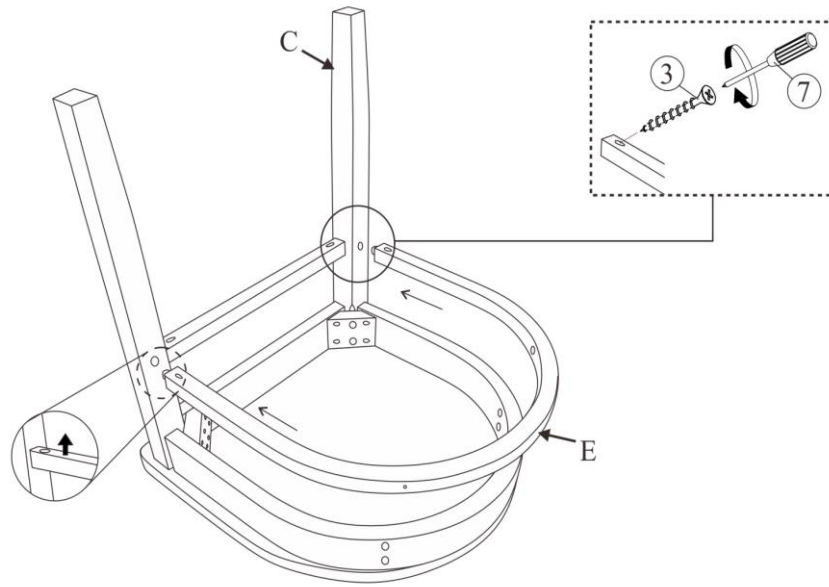
**Step 3**



Attach the Chair Leg(C) to the Chair Seat(B), using Bolts(②), Spring Washers(④), and Flat Washers(⑤), with the Allen Key(⑥).

**Do not fully tighten the bolts.**

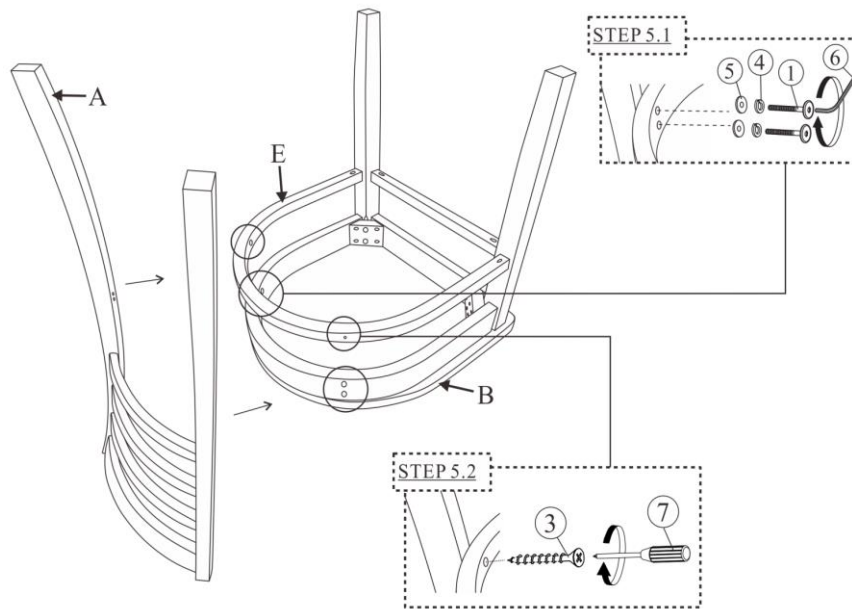
## Step 4



Attach the Back Stretcher(E) to the Chair Leg(C), using Screws(③) and the Screwdriver(⑦).

**Note:** Please ensure the drill holes on the Back Stretcher(E) are towards to ground.

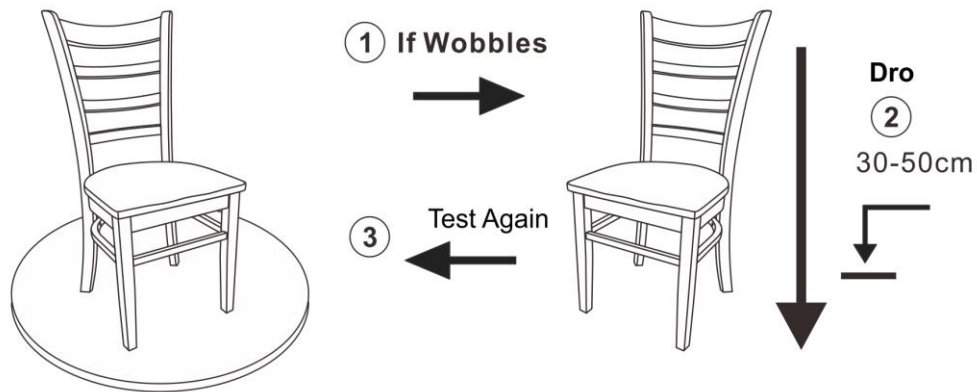
## Step 5



**5.1)** Attach the Chair Back(A) to the Chair Seat(B), using Bolts(①), Spring Washers(④), and Flat Washers(⑤) with the Allen Key(⑥).

**5.2)** Insert the Screws(③) using the Screwdriver(⑦), to tighten the Back Stretcher(E) to the Chair Back(A).

## Step 6



Place the Chair on a Level Surface to check if it wobbles.

If it wobbles, lift the Chair up some 30cm to 50cm from the ground, keep your feet and toes well away from the drop zone, and drop the Chair freely and vertically with the four legs hitting the ground at the same time.

This Drop Test will help ensure that all parts and gaps reach full alignment. Test again for evenness on a Level Surface.

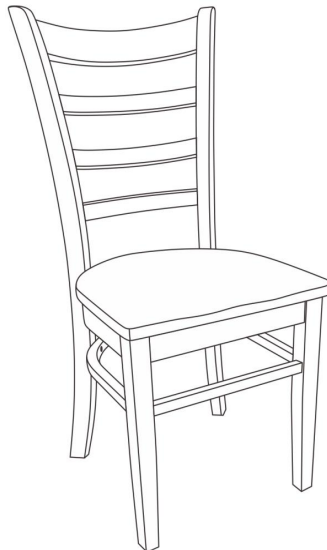
If no wobbles are found, proceed to tighten all the Bolts.

**When tightening the Bolts, tighten sequentially.**

**Do not tighten any Bolt fully and then move on to the next one, as this could cause the frame to warp.** Rather in a sequential manner, gradually tighten each Bolt until all are evenly secured. This methodology will ensure maximum evenness once all Bolts are fully tightened.

**If the Chair still wobbles after tightening, loosen the Bolts and execute the same drop test, then proceed to tighten the bolts again in a sequential manner.**

## Step 7



Your Chair is now ready for use.

**This Chair can only be used on a flat, level surface.**

## Care & Maintenance



- Furniture may scratch floors. We recommend using furniture pads to protect your floors.



- Do not put hot items directly on furniture surface.



- Do not clean furniture with harsh cleansers or polish.



- Do not place furniture under direct sunlight.



- Do not place furniture near heating or cooling vents.



- Do not write on furniture without a padded barrier to protect the surface.



- Do not place furniture outside . For indoor use only.



- Not for commercial use. For residential use only.



- Stains may be removed with mild soap solution and damp cloth.



- Children should not climb or jump on the furniture.



- Dust and pick-up spills using a clean, non-colored, lint-free cloth.