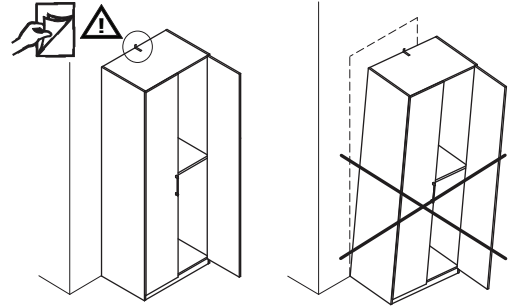
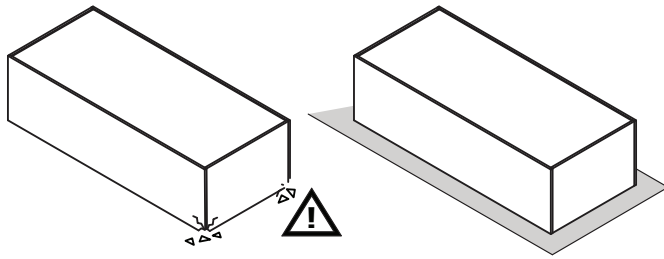
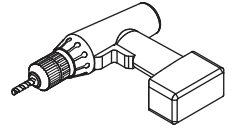
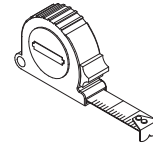
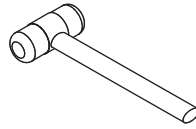
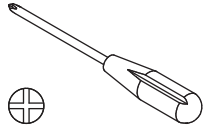
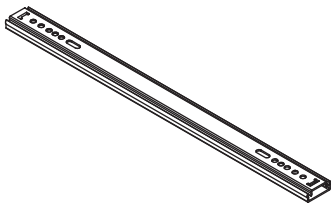




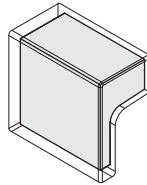
1,5h



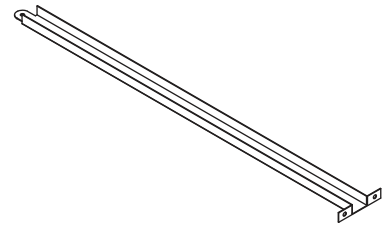
BU4345



A34
x4

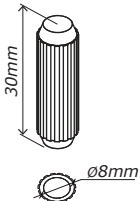


M211
x4

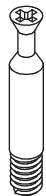


W398
x2

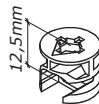
BU4317



H1
x12



T28
x16



T7
x12



T98
x4



H54
x8



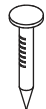
V5
x22



V38
x4



H2
x14



H15
x8



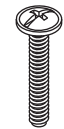
H139
x4



H113
x10



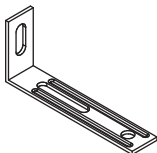
G128
x4



V137
x4



V98
x6



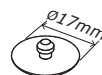
H185
x1



H129
x2



V81
x2



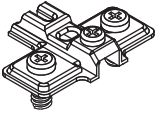
G57
x4



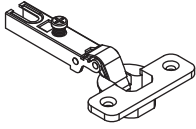
G31
x4



R40
x4



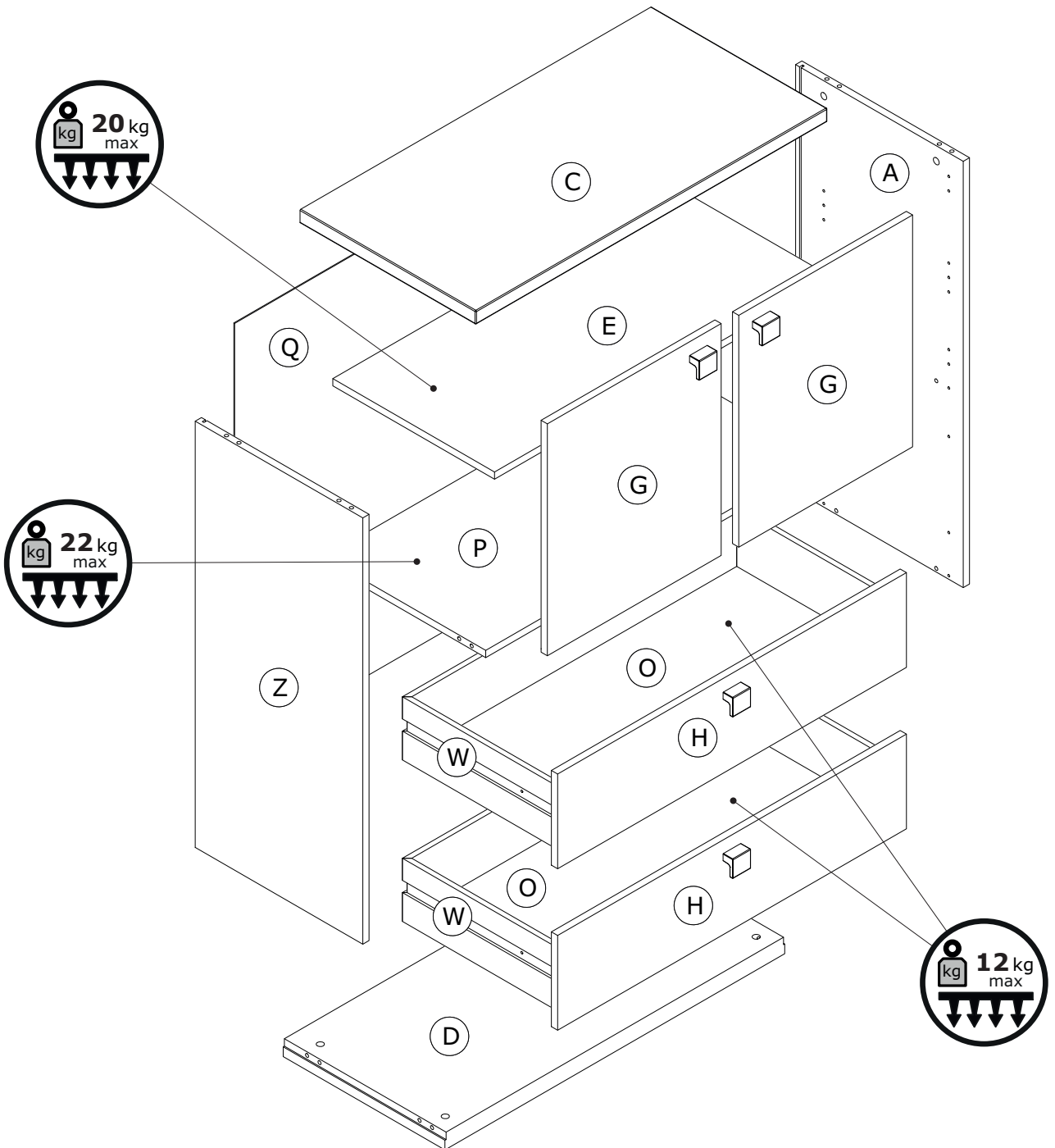
B9
x4

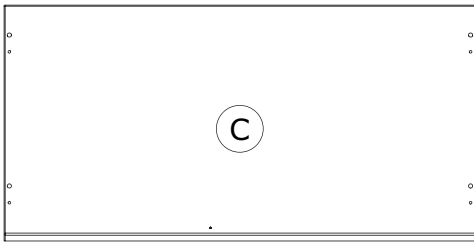


C1
x4

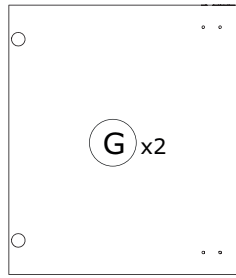


V5
x8

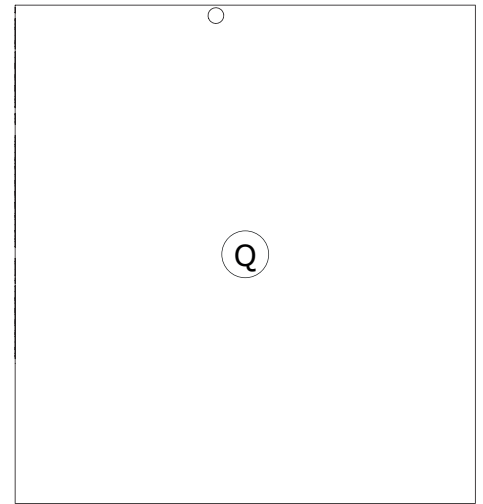




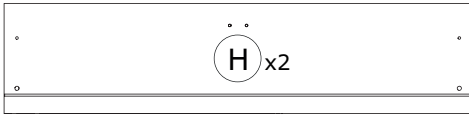
CA3601
900x450x30mm



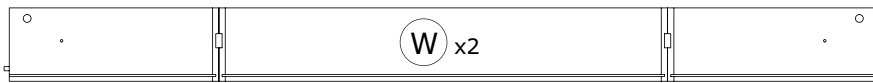
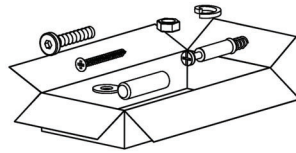
AN2924
514x445x16mm



SS0755
951x878x2mm

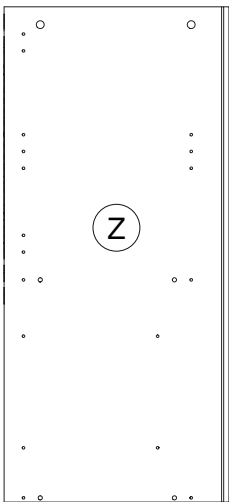


CS3418
893x210x16mm

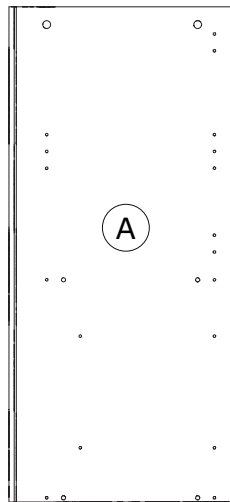


OF0576
400x856x400mm H.140mm

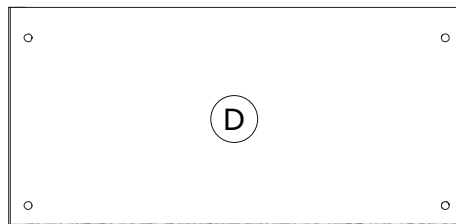
BOX 1/2



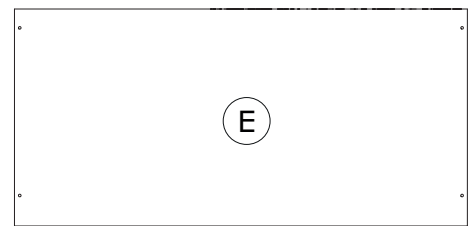
FI8785
945x429x16mm



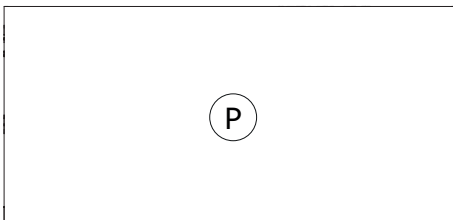
FI8787
945x429x16mm



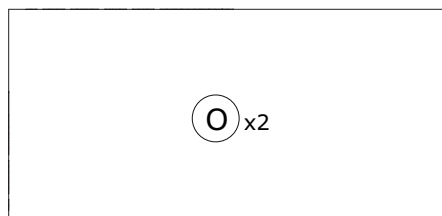
BA2190
870x414x38mm



PI7157
864x414x16mm



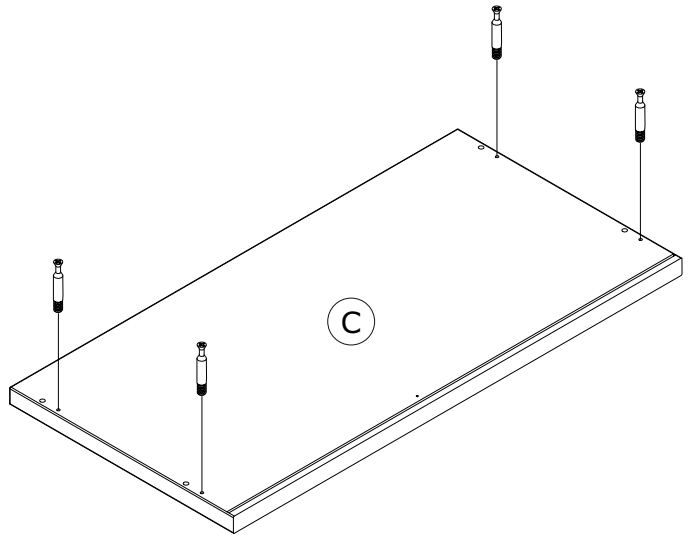
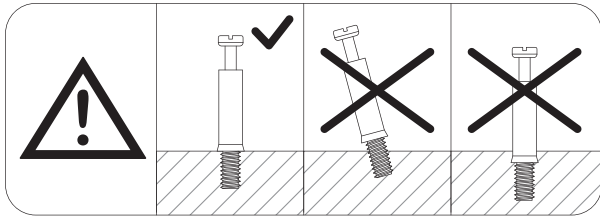
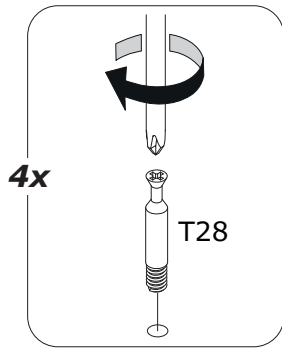
PI7158
864x414x16mm



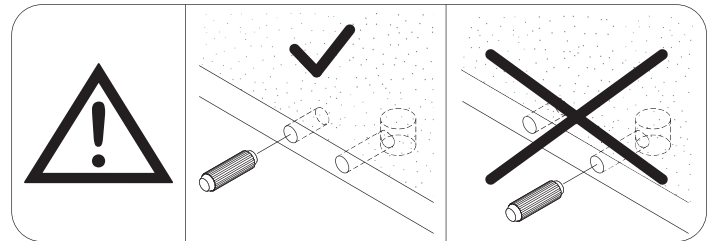
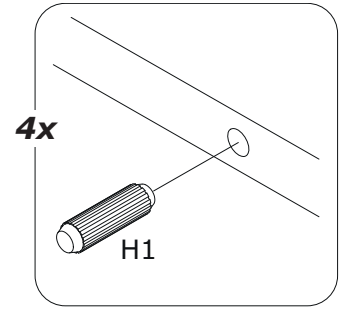
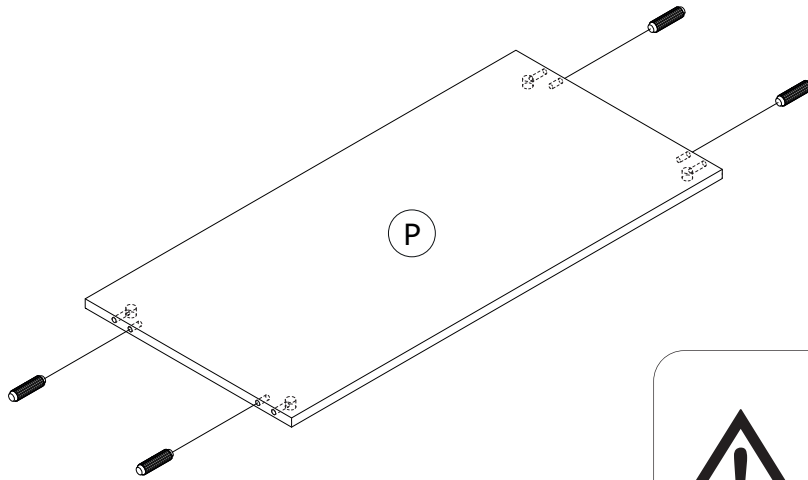
SH3369
843x401x2mm

BOX 2/2

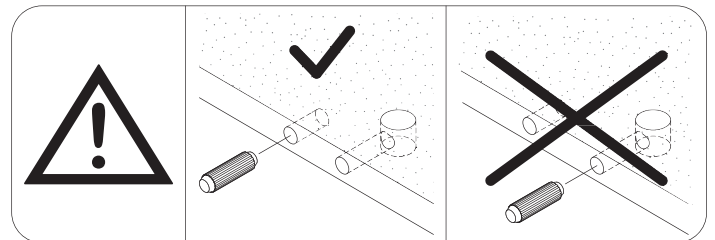
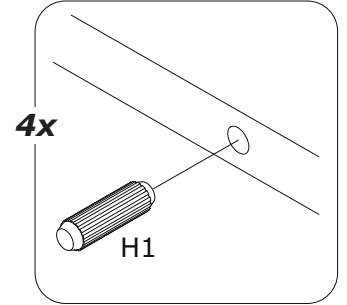
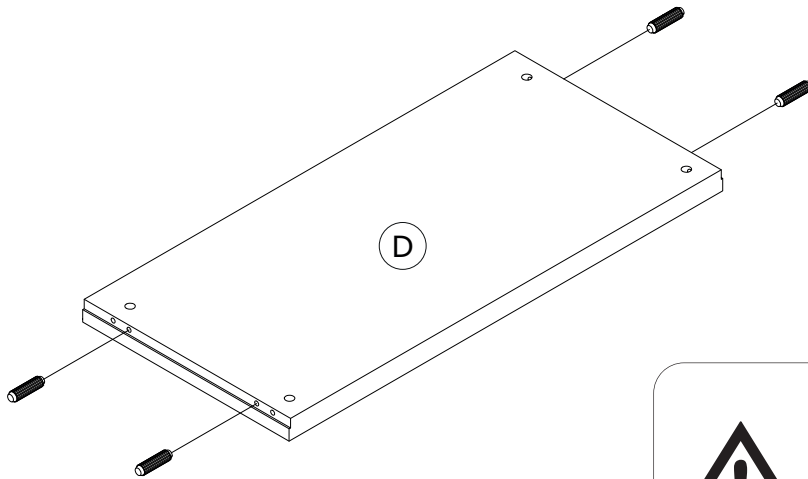
1



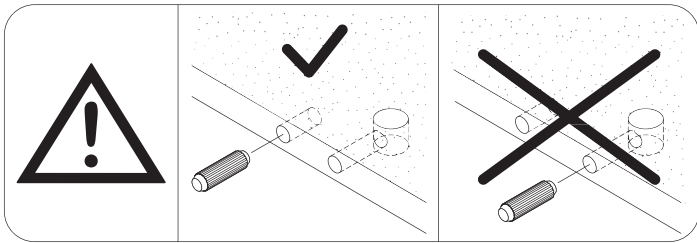
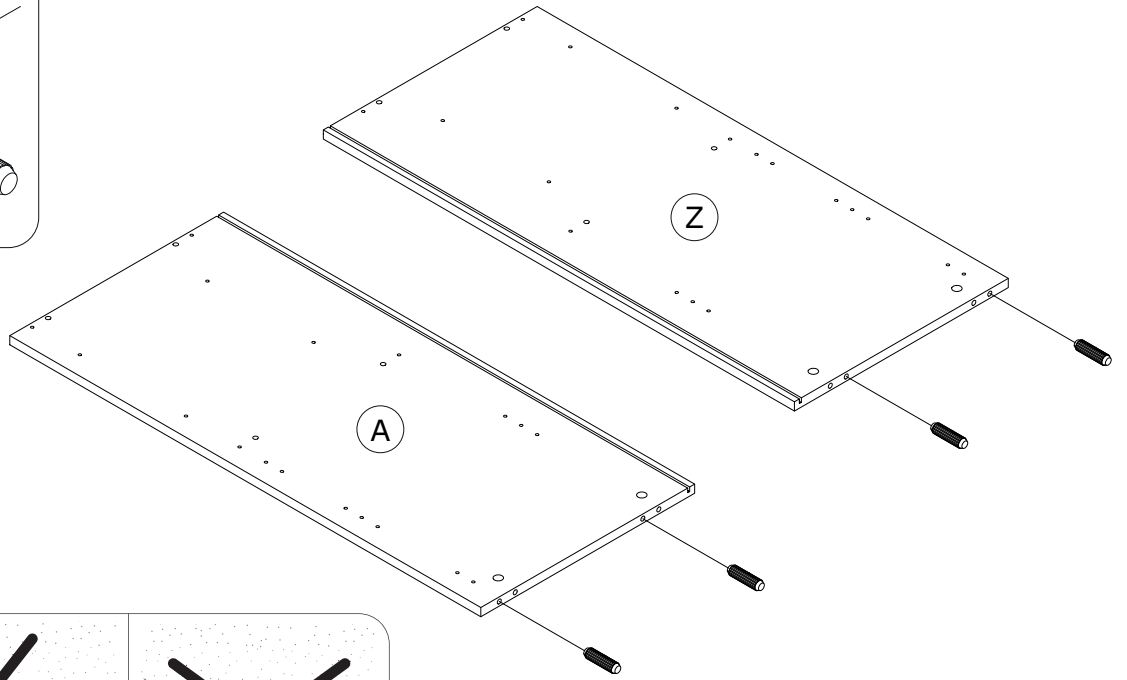
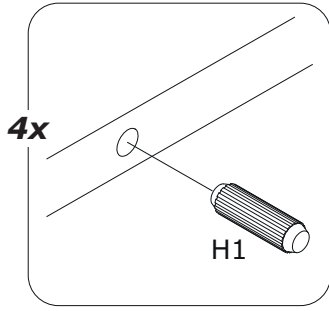
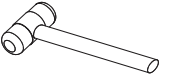
2



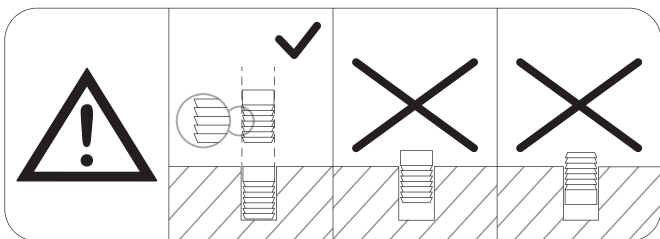
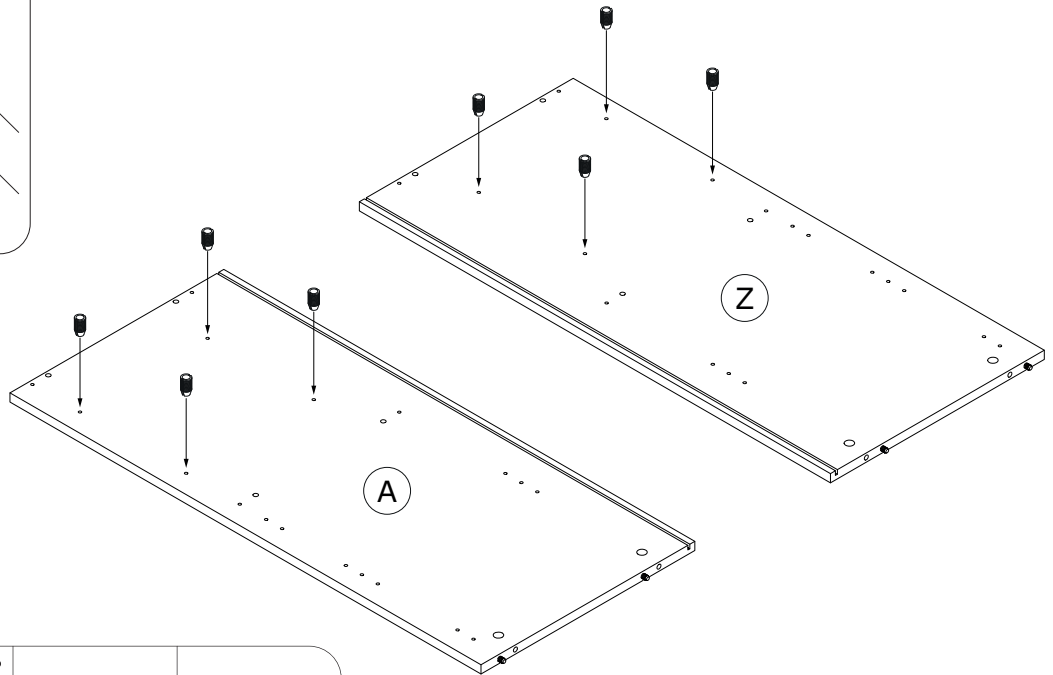
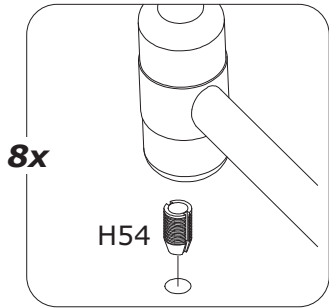
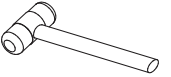
3



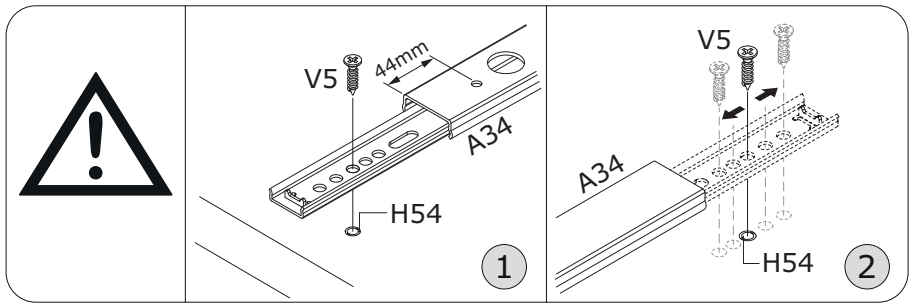
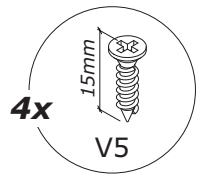
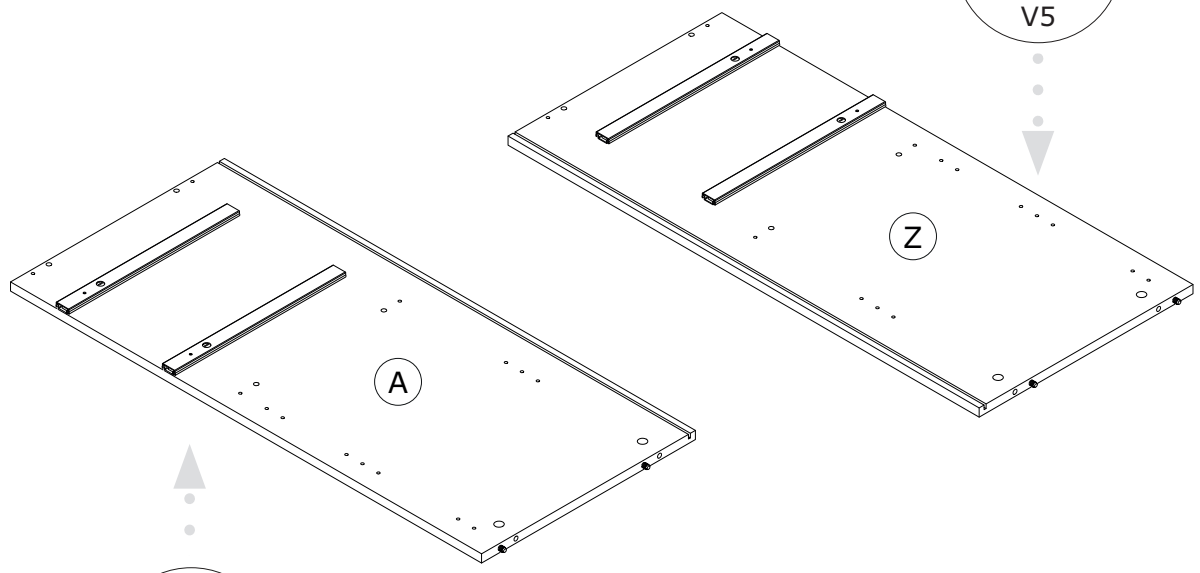
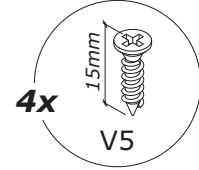
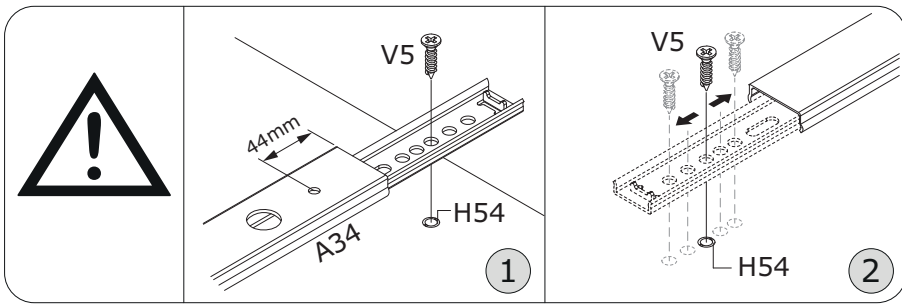
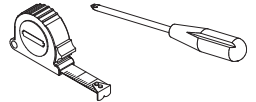
4



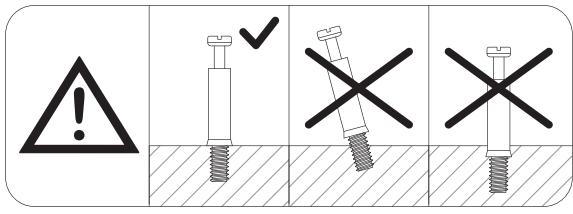
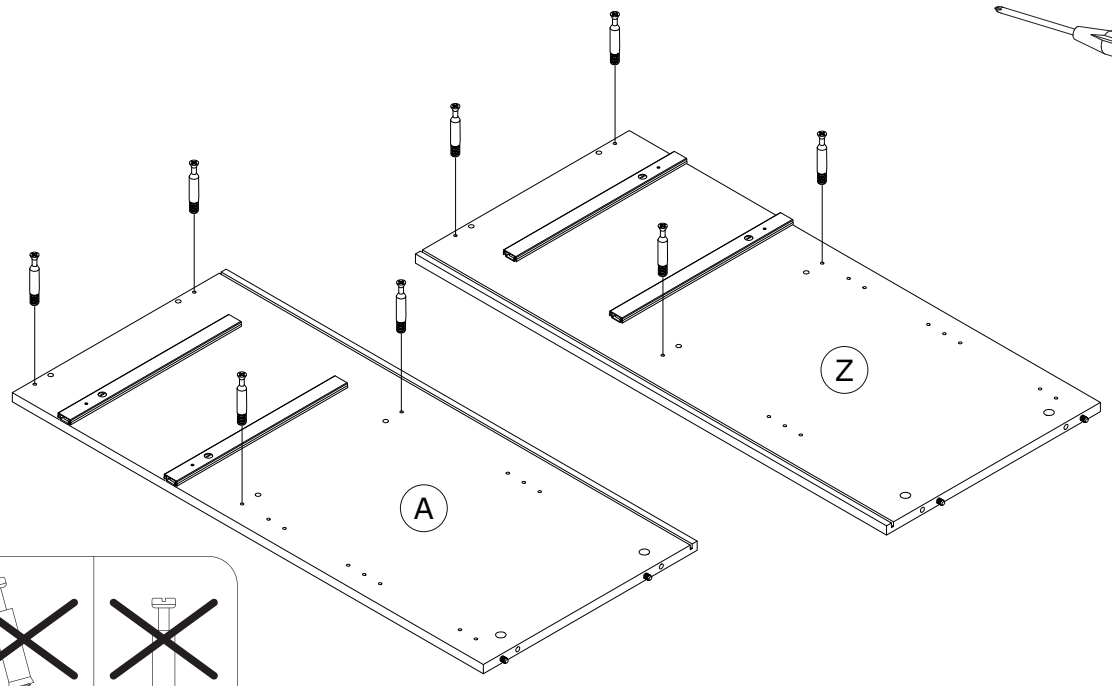
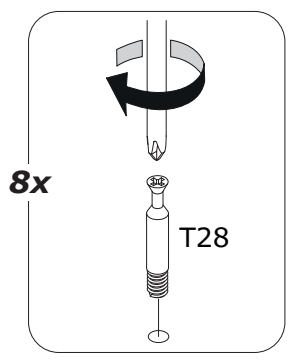
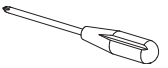
5



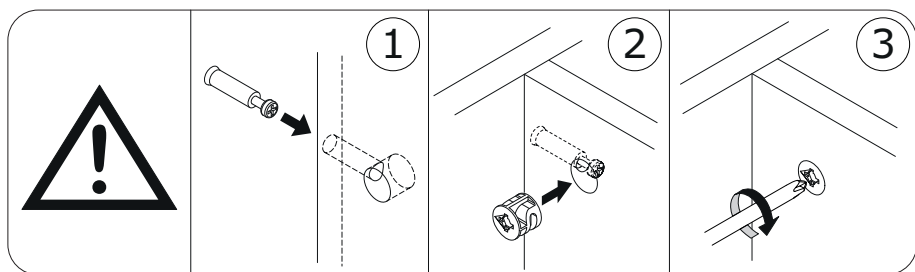
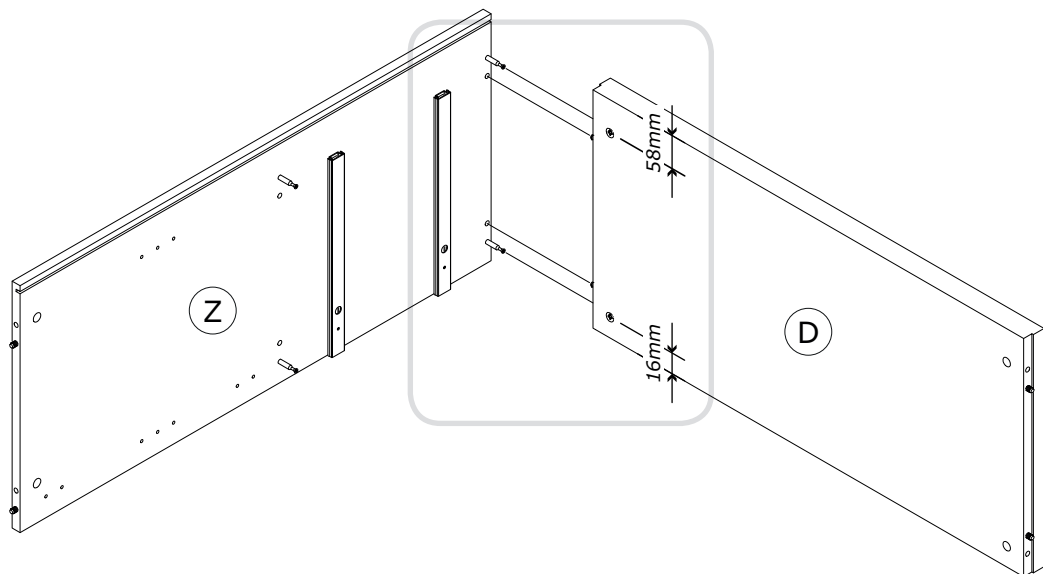
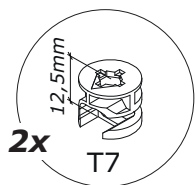
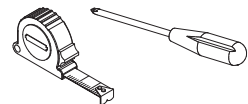
6



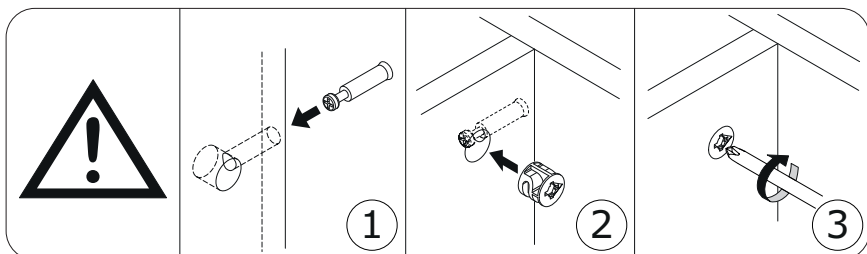
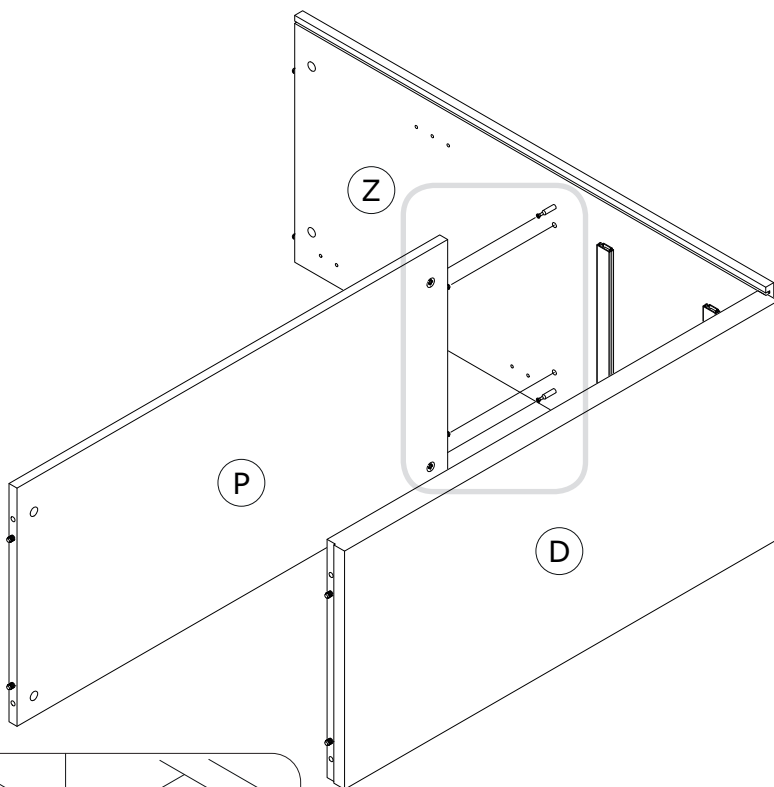
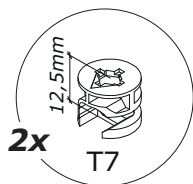
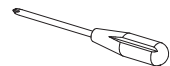
7



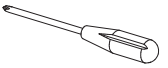
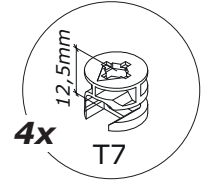
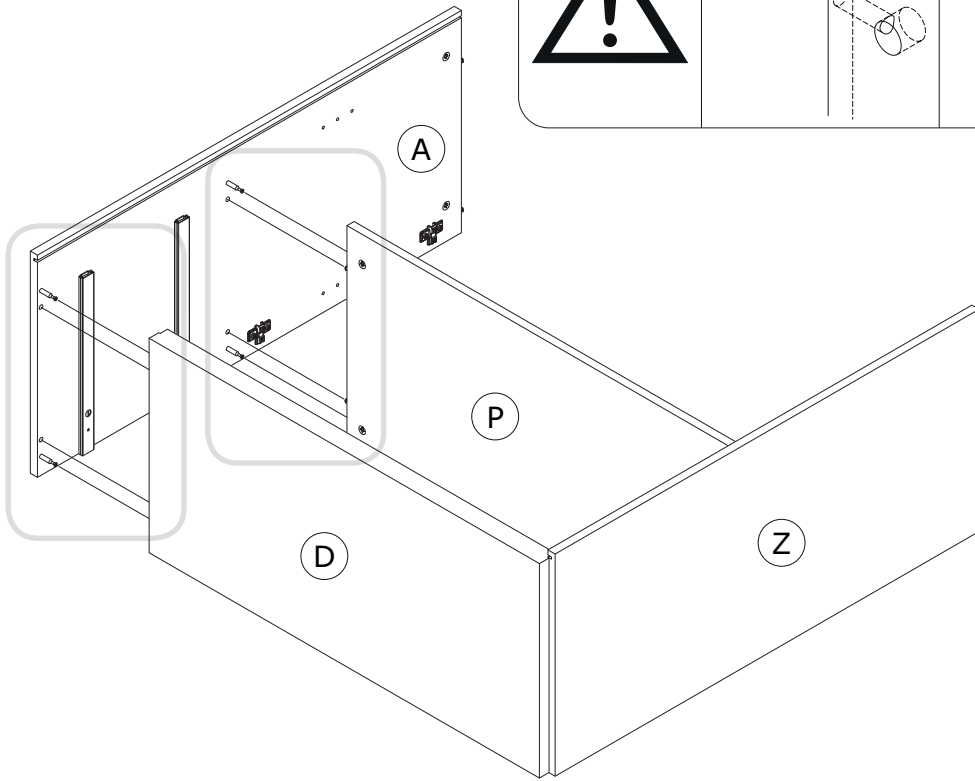
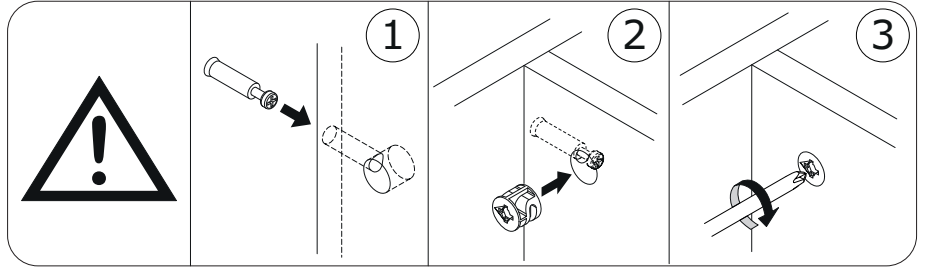
8



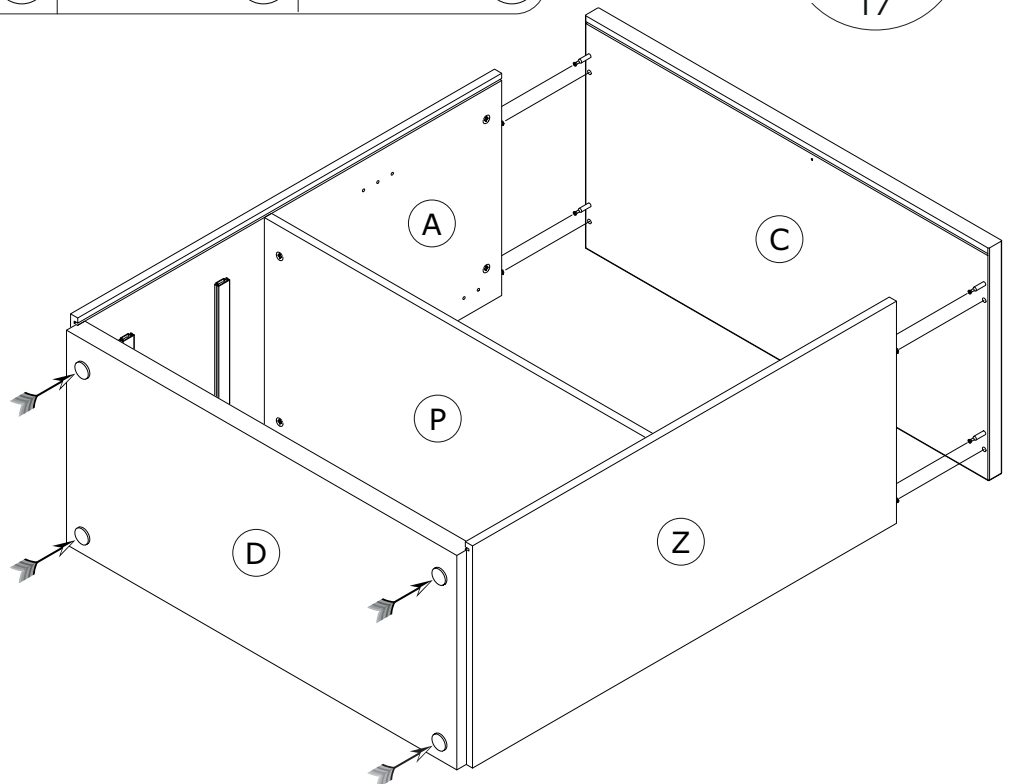
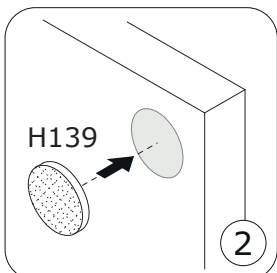
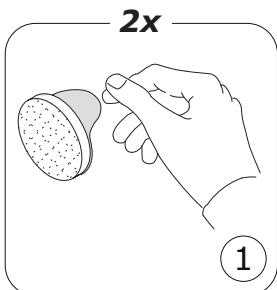
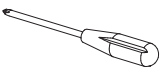
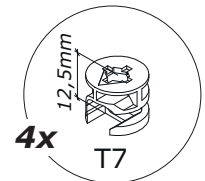
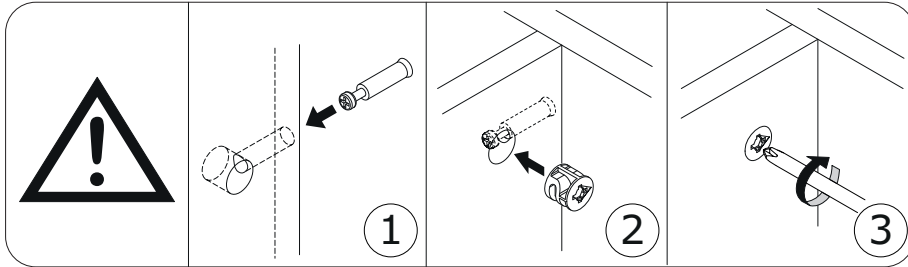
9



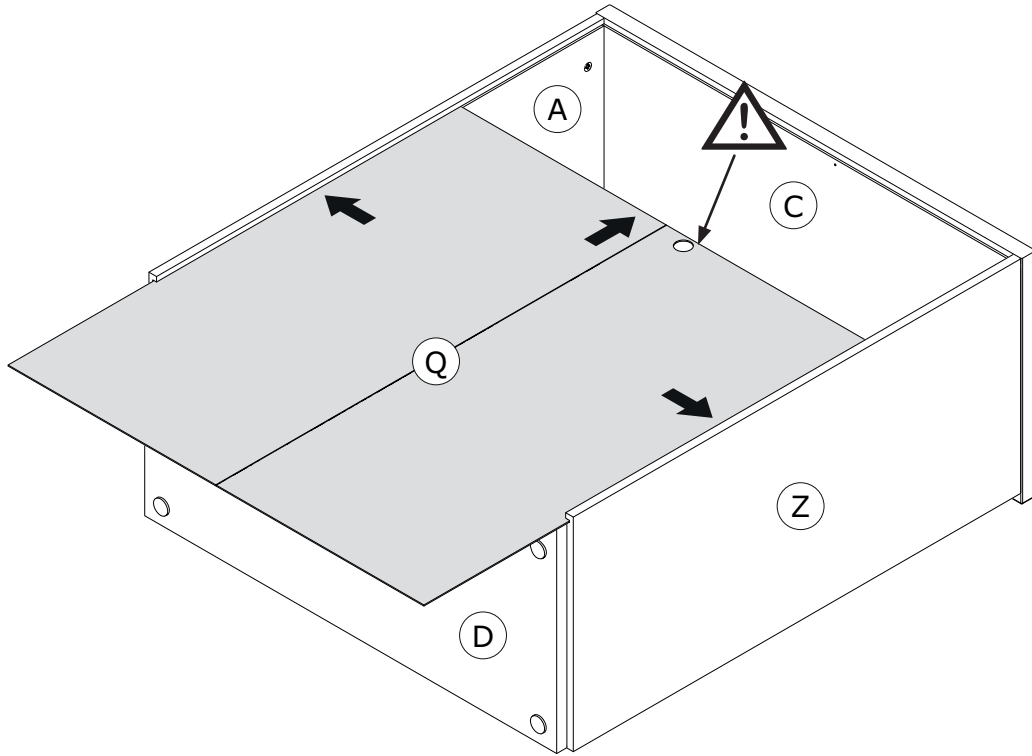
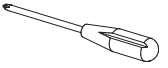
10



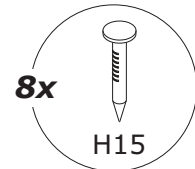
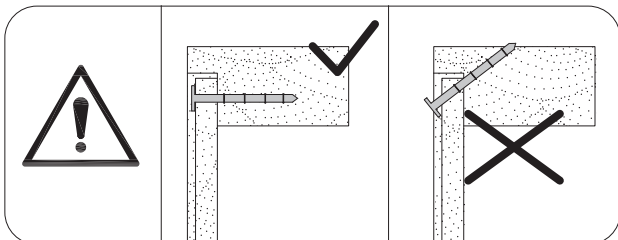
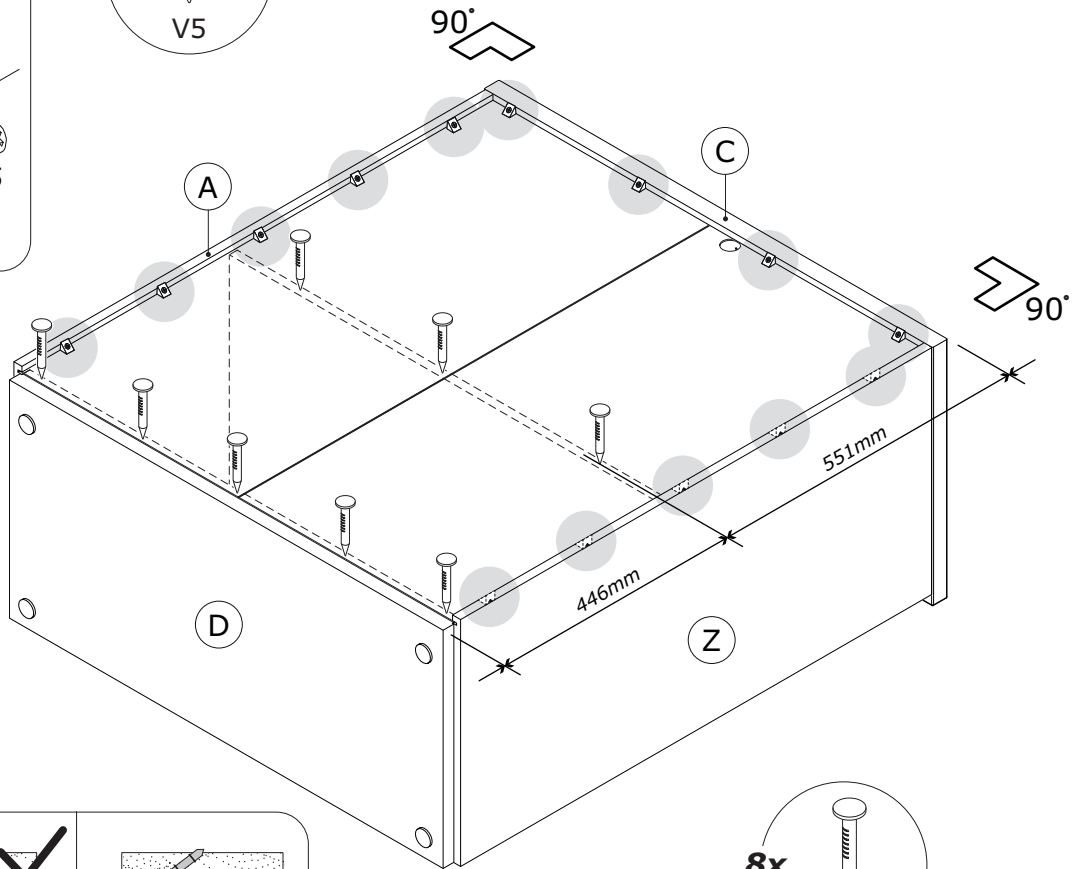
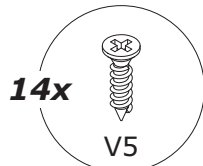
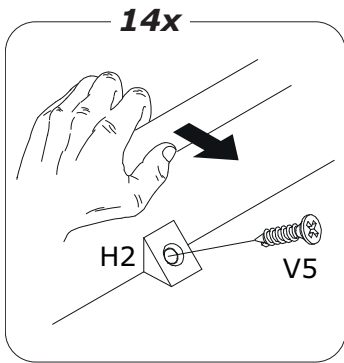
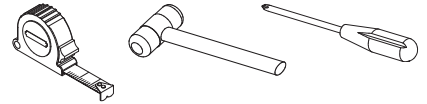
11

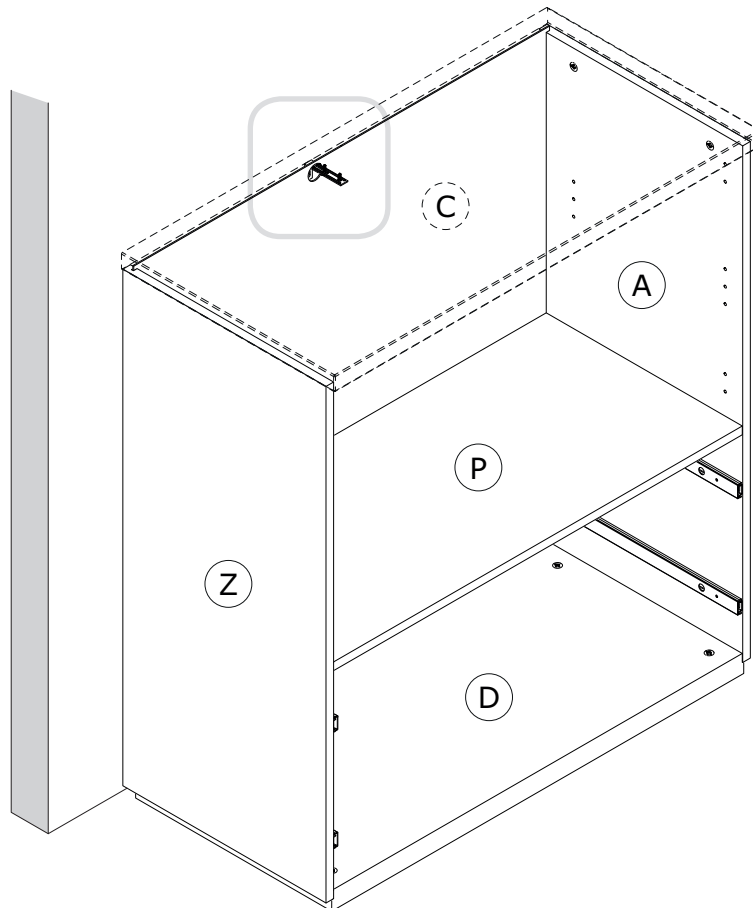
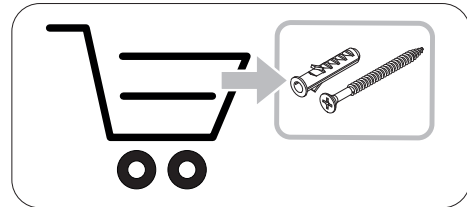
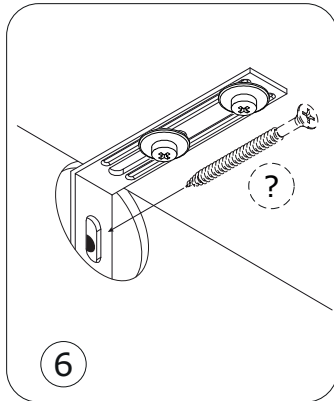
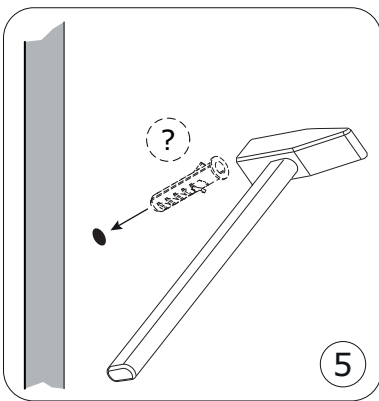
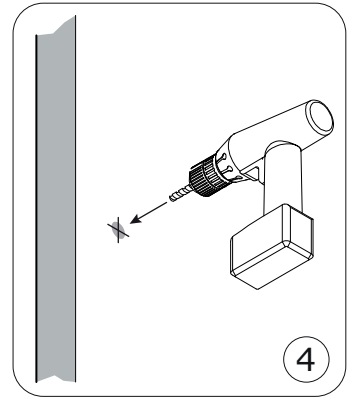
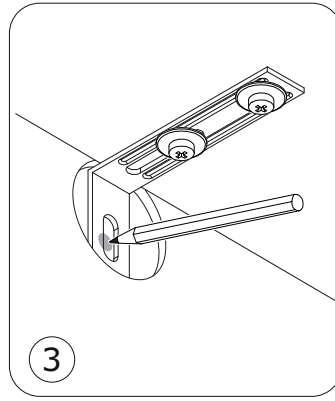
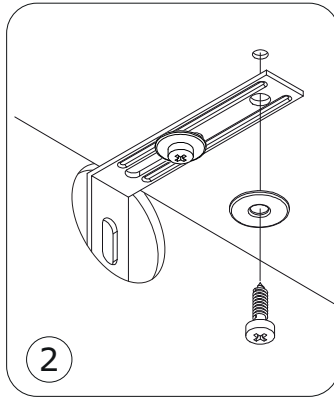
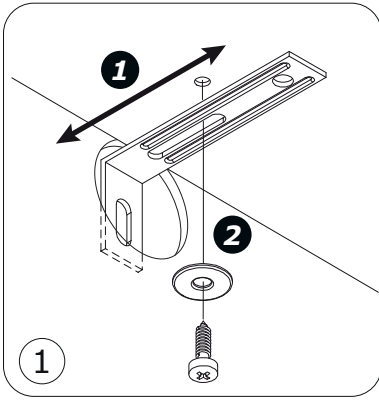
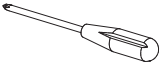


12

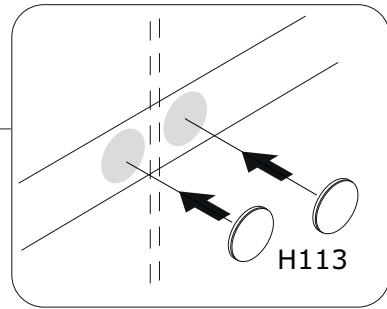
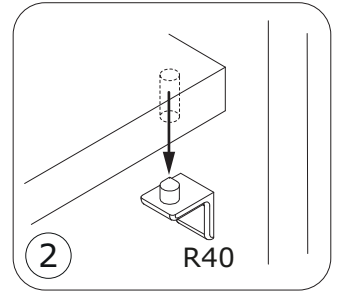
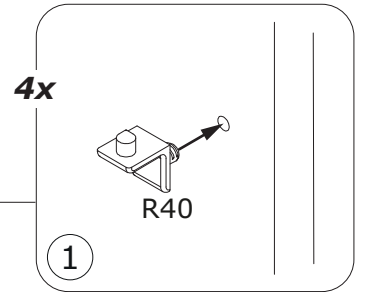
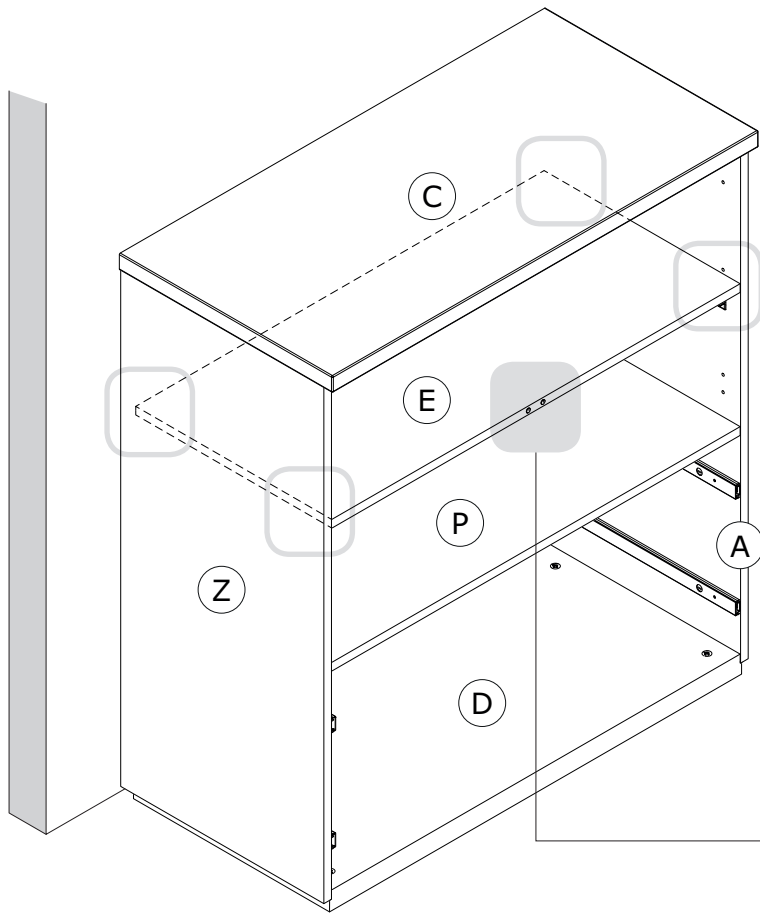
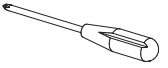


13

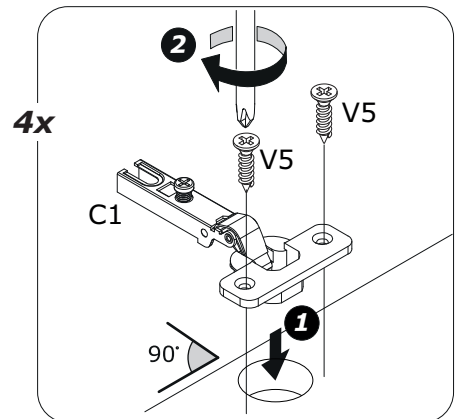
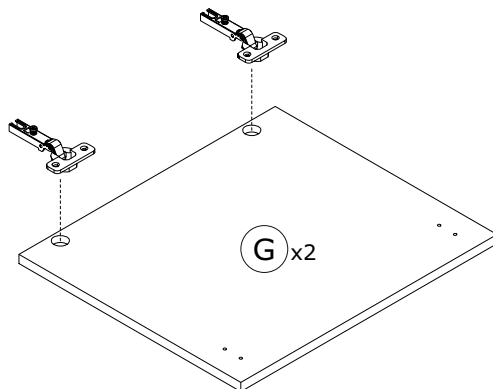
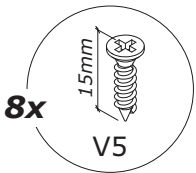
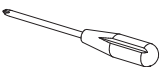




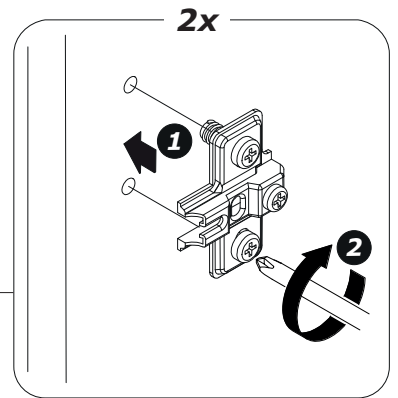
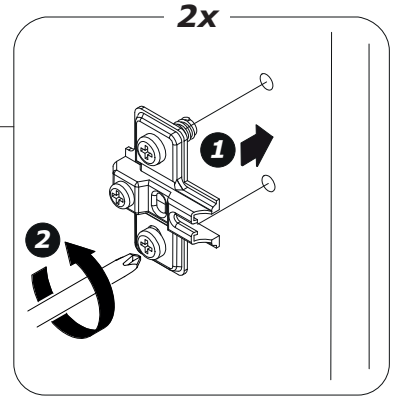
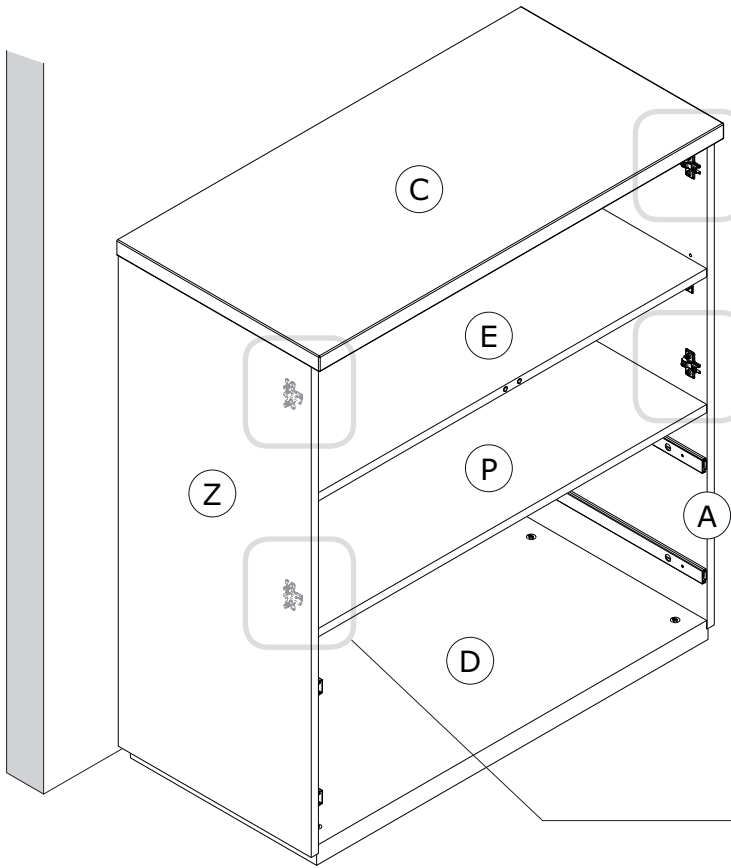
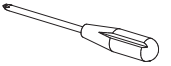
15



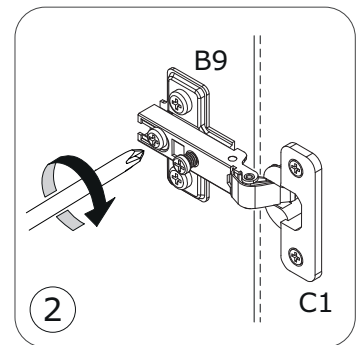
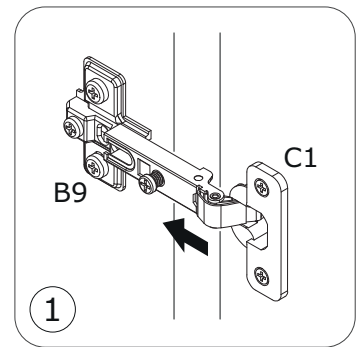
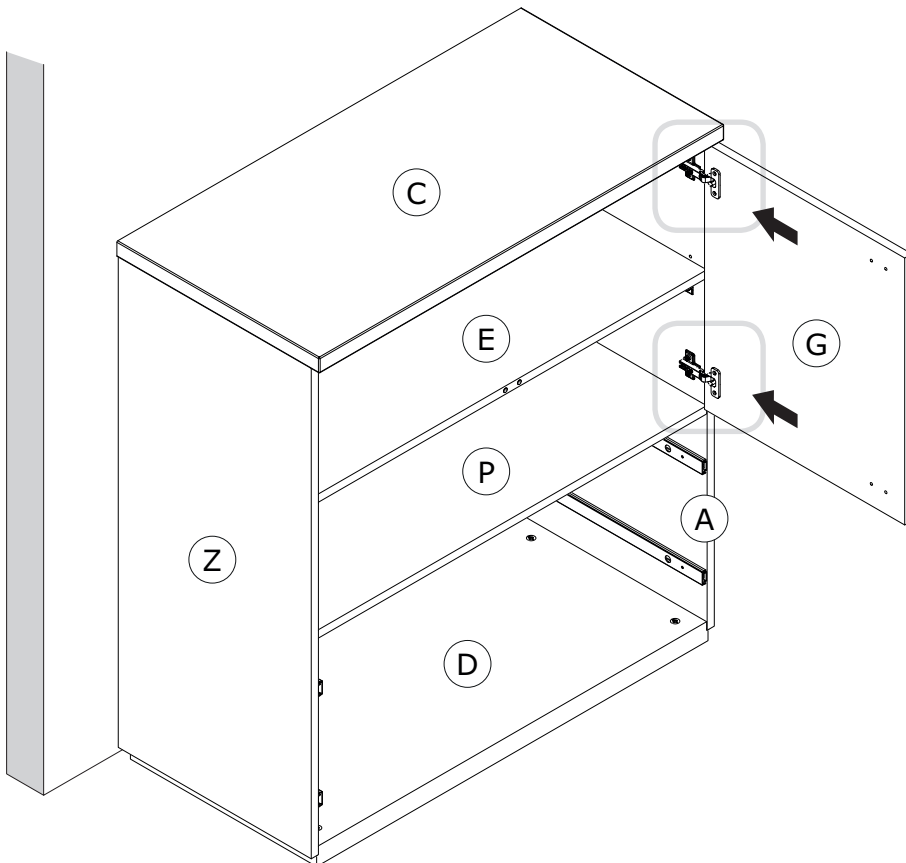
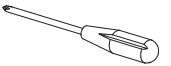
16



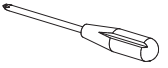
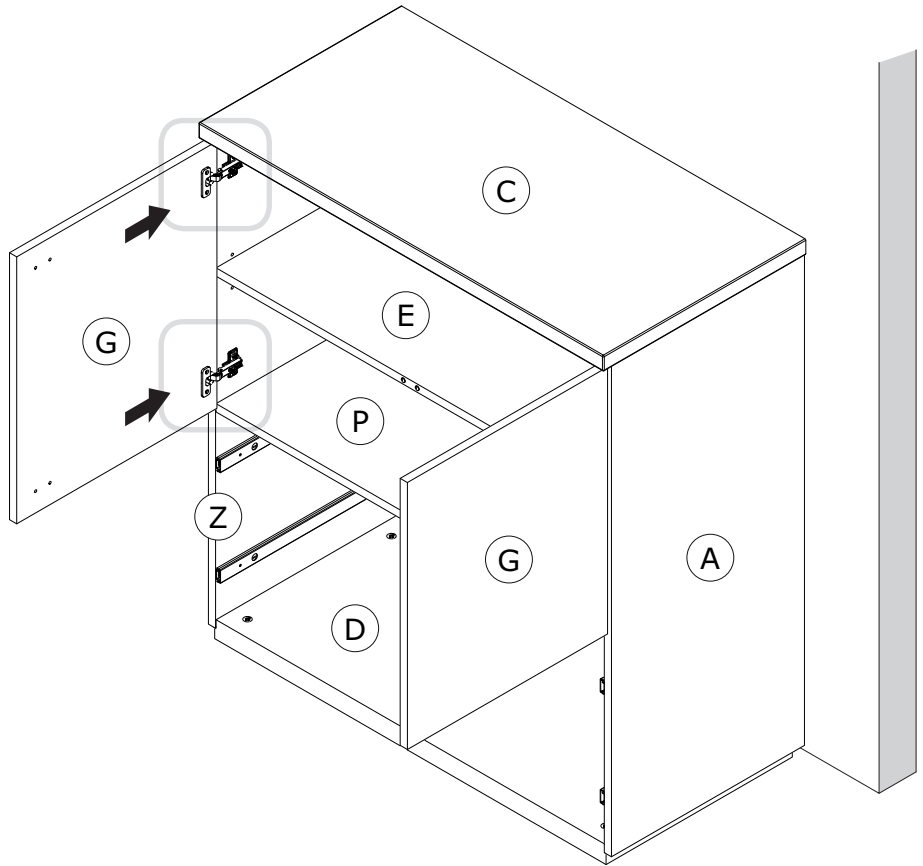
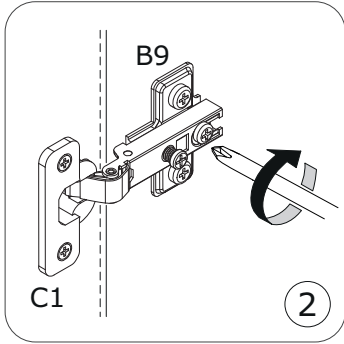
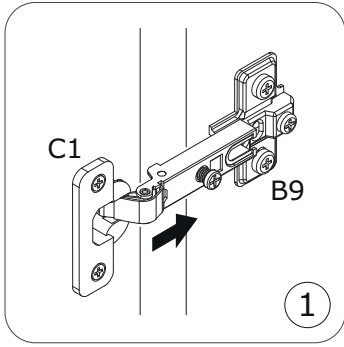
17



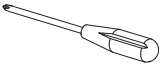
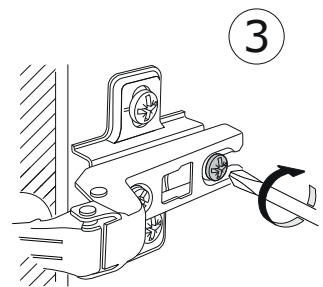
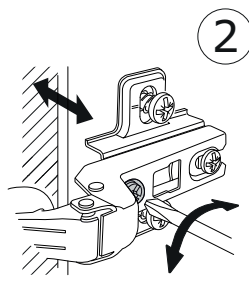
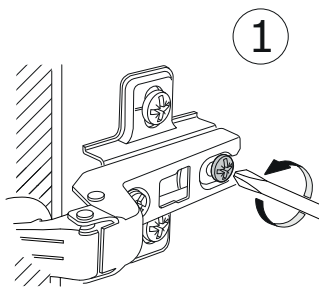
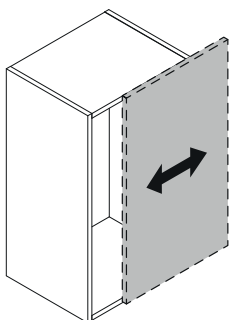
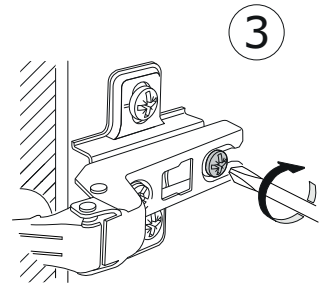
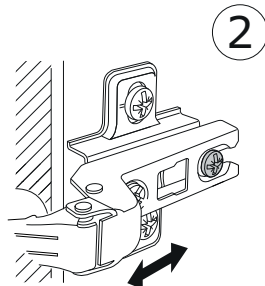
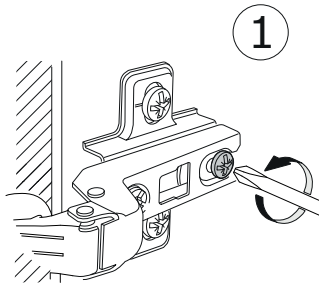
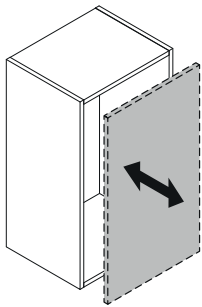
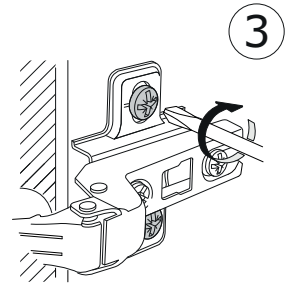
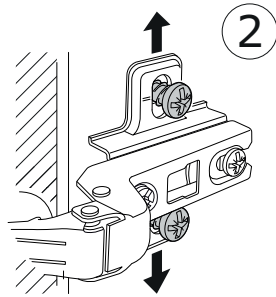
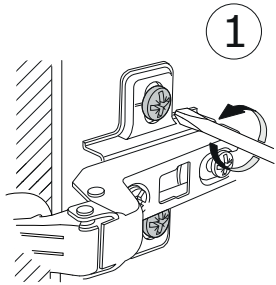
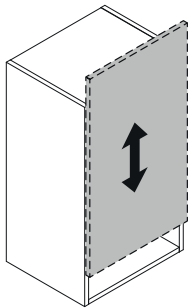
18



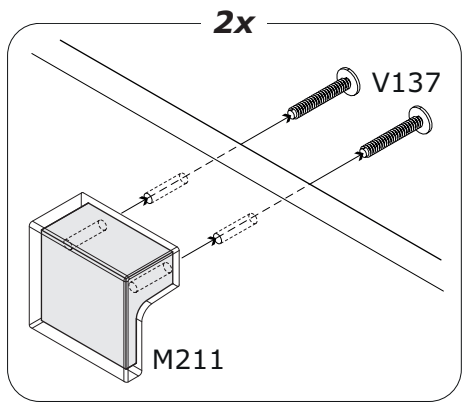
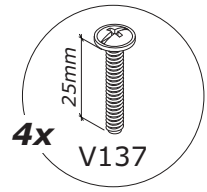
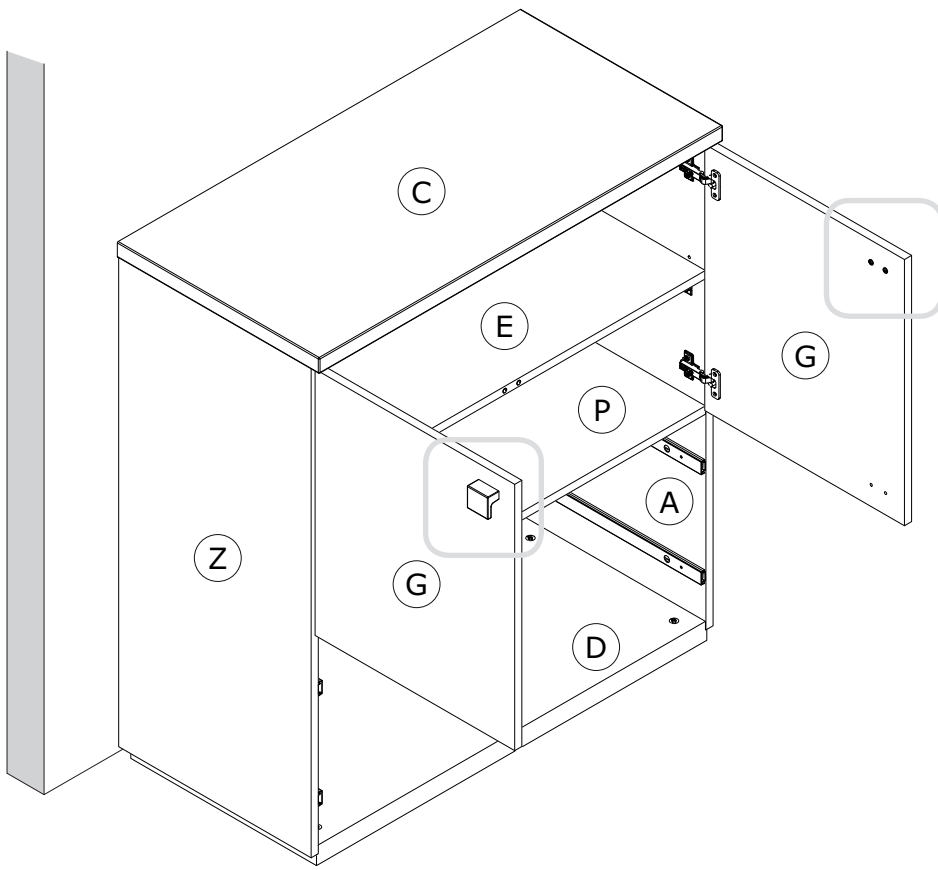
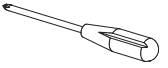
19



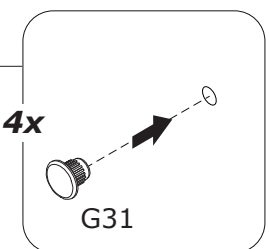
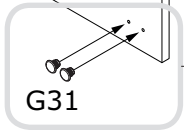
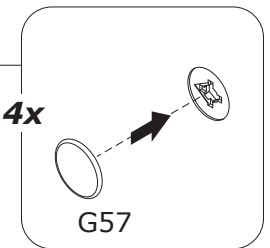
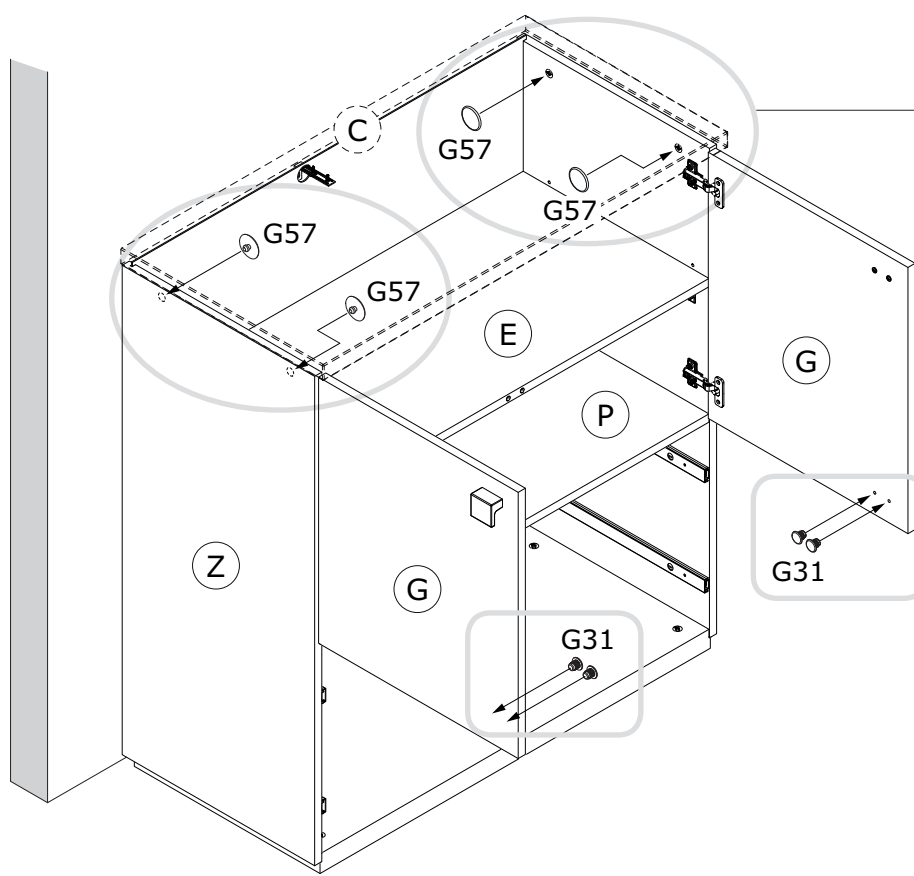
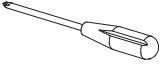
20



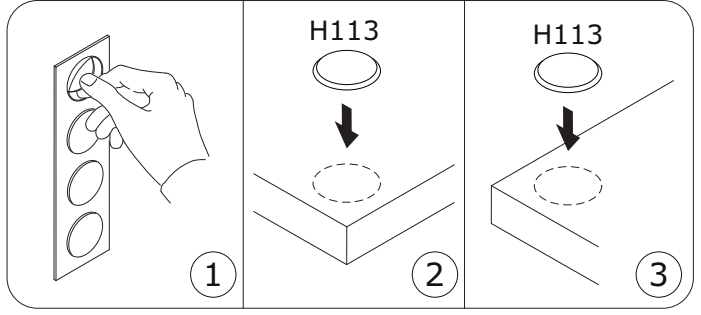
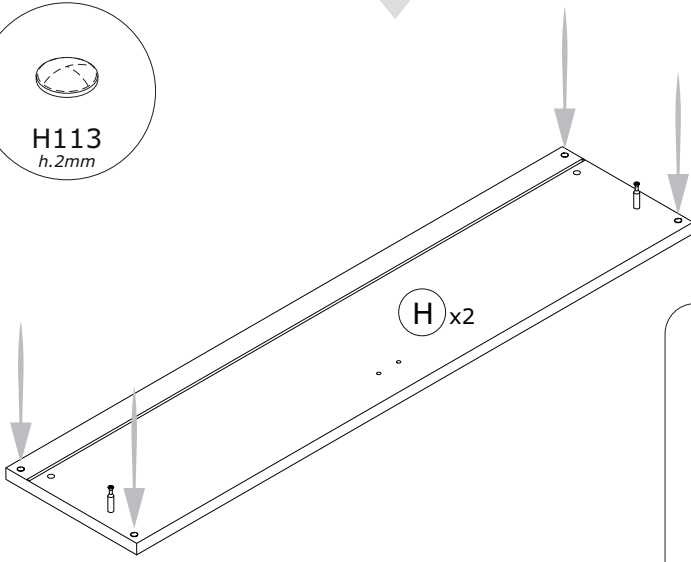
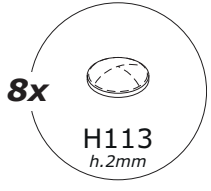
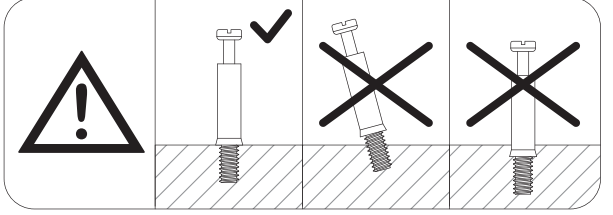
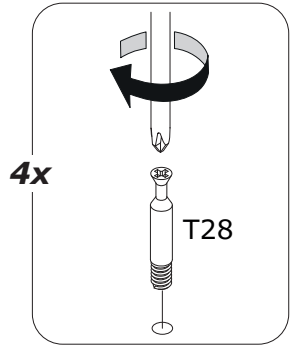
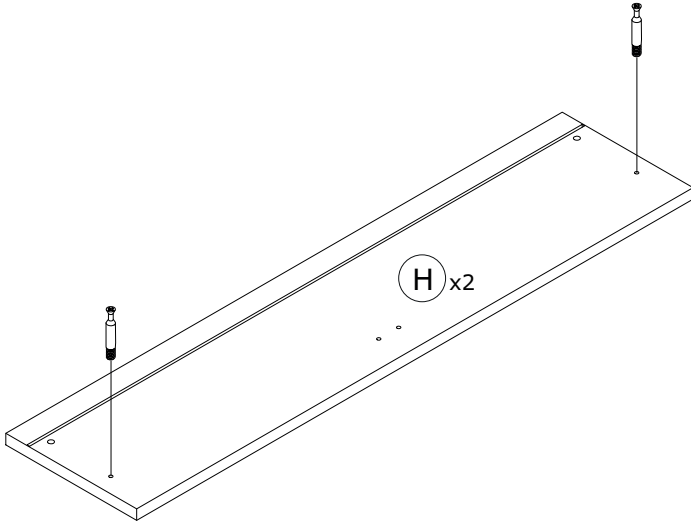
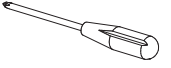
21



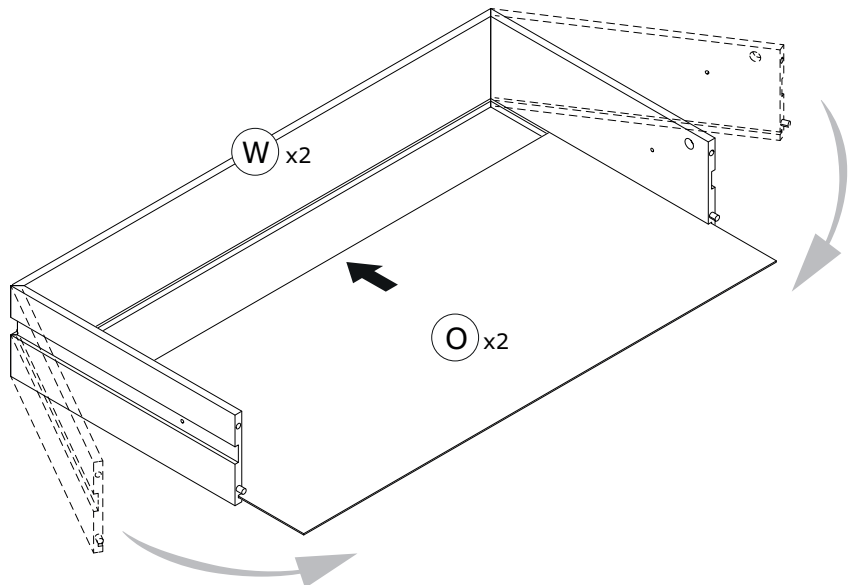
22



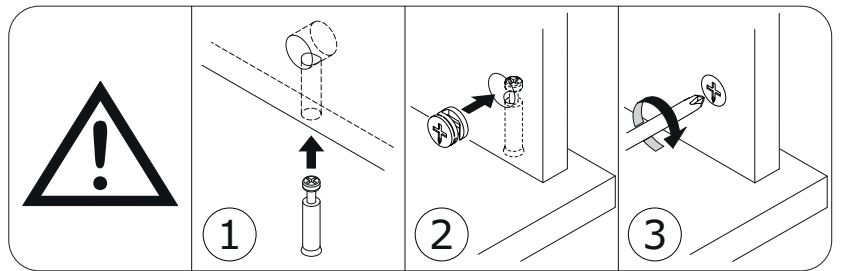
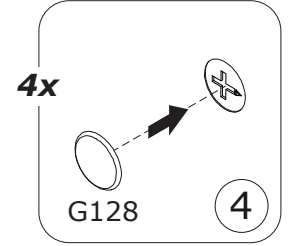
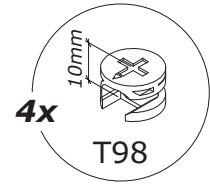
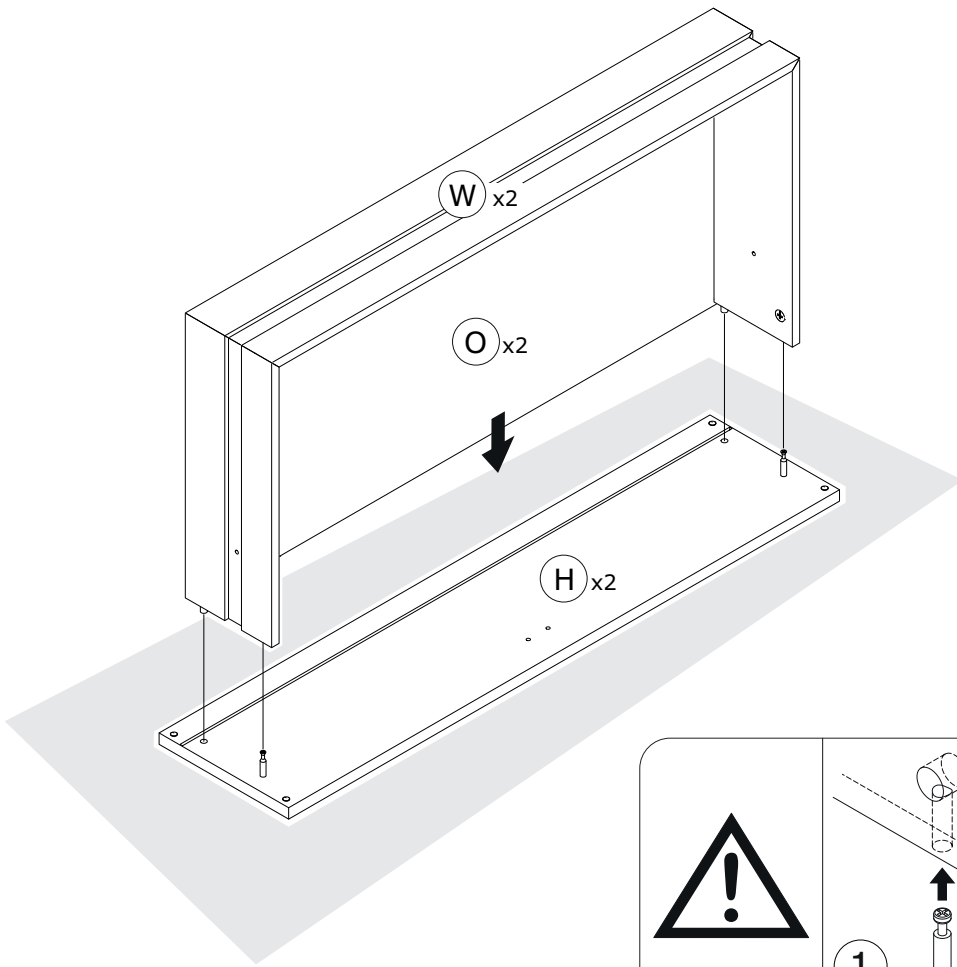
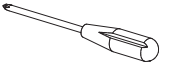
23



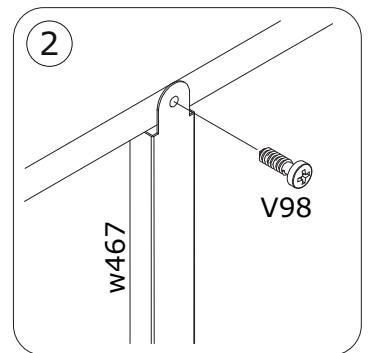
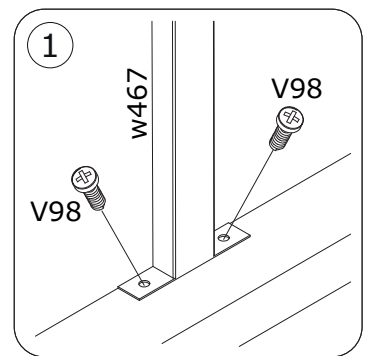
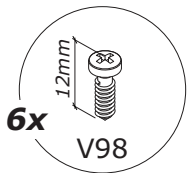
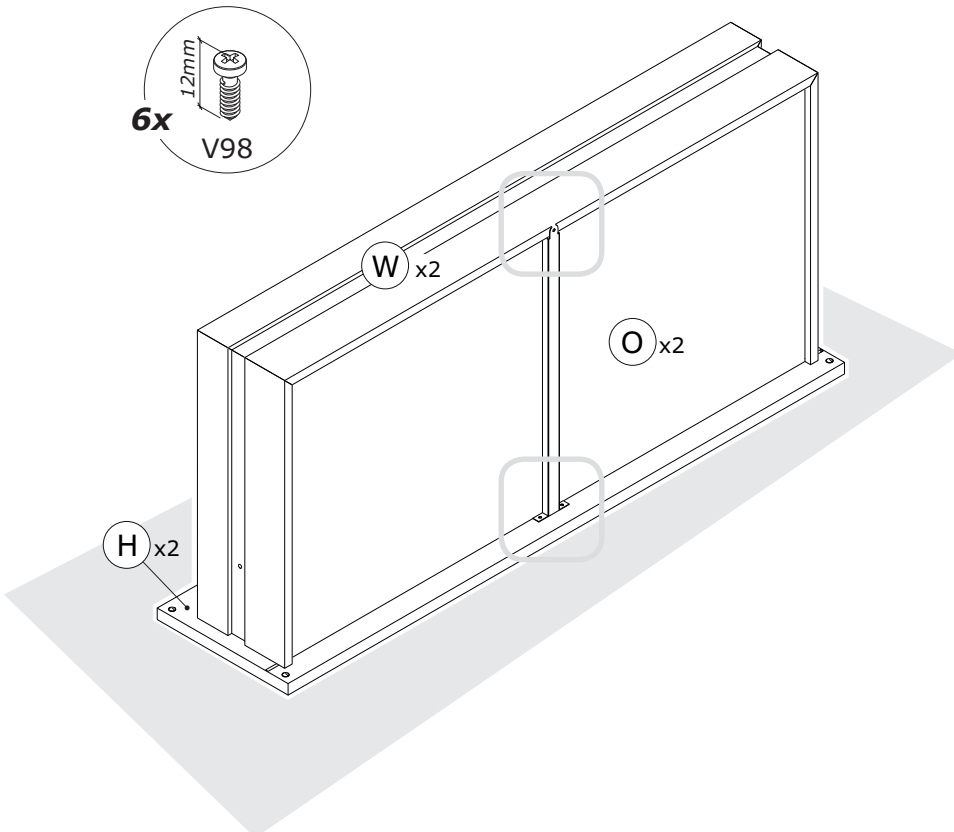
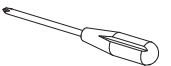
24



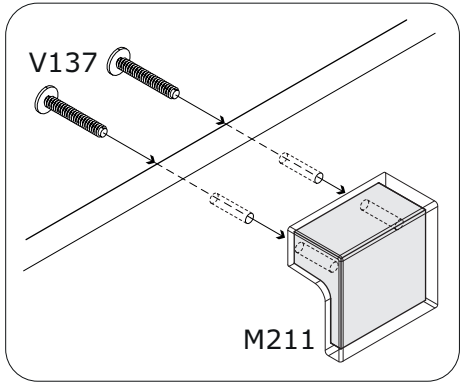
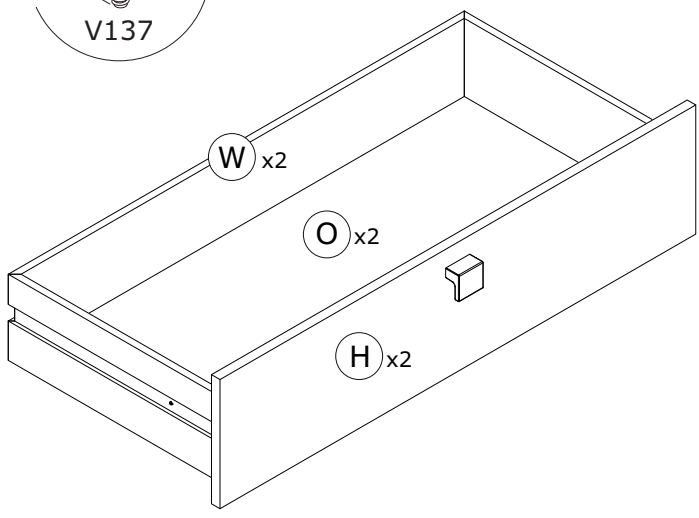
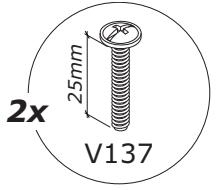
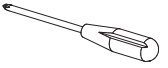
25



26



27



28

