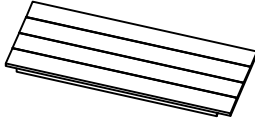
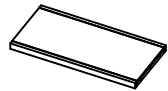
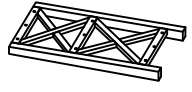








**SAVE THESE INSTRUCTIONS
ASSEMBLY INSTRUCTIONS**

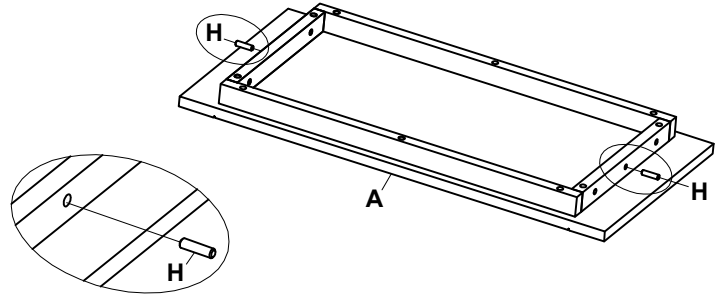
ASSEMBLE ON A FLAT, PROTECTED SURFACE.

PART LIST	FIGURE	QUANTITY	DESCRIPTION
A		1 PC	TOP
B		2 PCS	SHELF
C		2 PCS	SIDE
D		3 PCS	BASKET
E		3 PCS	BASKET BOTTOM
F		12 PCS	BOLT 6MM X 35MM
G		12 PCS	FLAT WASHER
H		6 PCS	WOOD DOWEL
I		1 PC	ALLEN WRENCH

ASSEMBLY INSTRUCTIONS (CONTINUED)

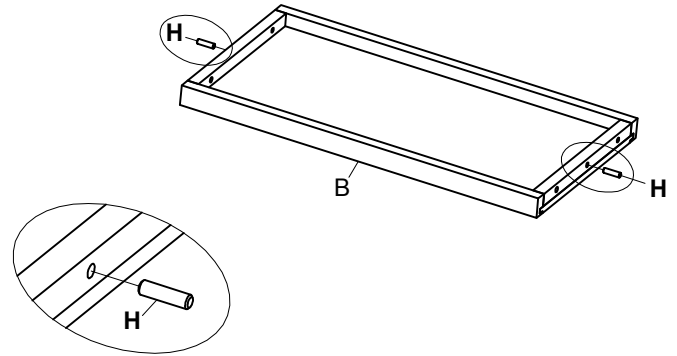
STEP 1

- A. PLACE TOP (A) UPSIDE DOWN ON A FLAT, PROTECTED SURFACE.
- B. INSERT WOOD DOWELS (H) INTO DOWEL HOLES ON TOP (A) AS SHOWN.



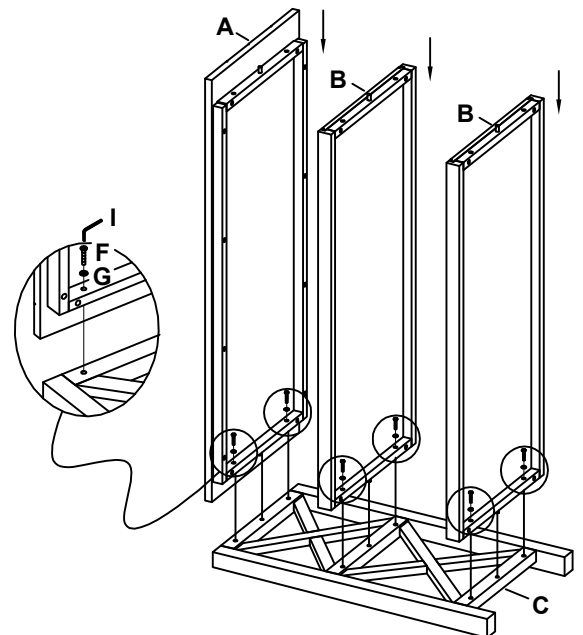
STEP 2

- A. INSERT WOOD DOWELS (H) INTO THE DOWEL HOLES ON SHELF (B) AS SHOWN.



STEP 3

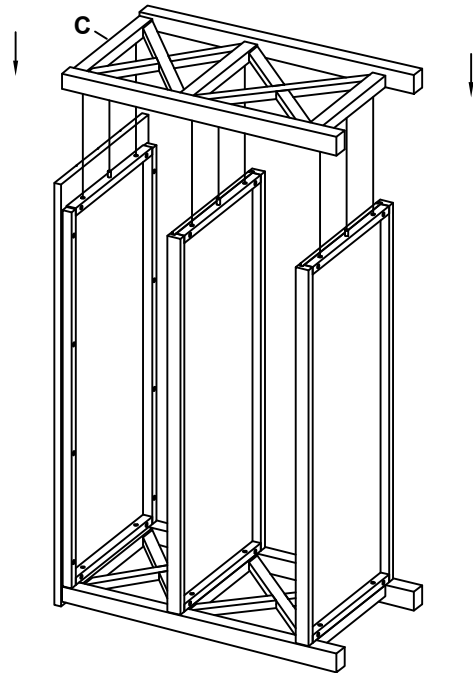
- A. PLACE SIDE (C) ON A FLAT, PROTECTED SURFACE.
- B. ATTACH SHELF (B) TO SIDE (C) USING BOLTS (F) AND FLAT WASHERS (G). LOOSELY TIGHTEN WITH ALLEN WRENCH (I).
- C. REPEAT STEP 3B WITH SHELF (B).
- D. REPEAT STEP 3B WITH TOP (A).



ASSEMBLY INSTRUCTIONS (CONTINUED)

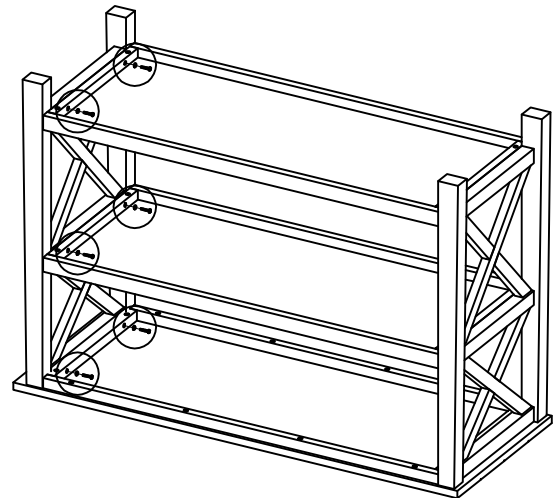
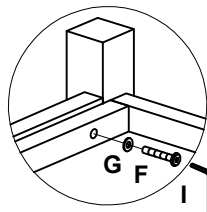
STEP 4

A. SET SIDE (C) TO ASSEMBLED UNIT FROM STEP 3.



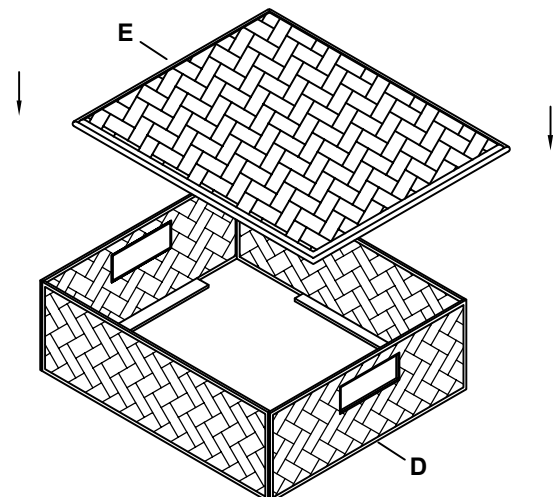
STEP 5

- A. CAREFULLY ROTATE THE CONSOLE TABLE UPSIDE DOWN ON A FLAT, PROTECTED SURFACE.
- B. INSERT BOLTS (F) AND FLAT WASHERS (G) INTO SIDE (C) AT TOP (A), SHELF (B).
- C. FULLY TIGHTEN ALL BOLTS (F) AND FLAT WASHERS (G) WITH ALLEN WRENCH (I).



STEP 6

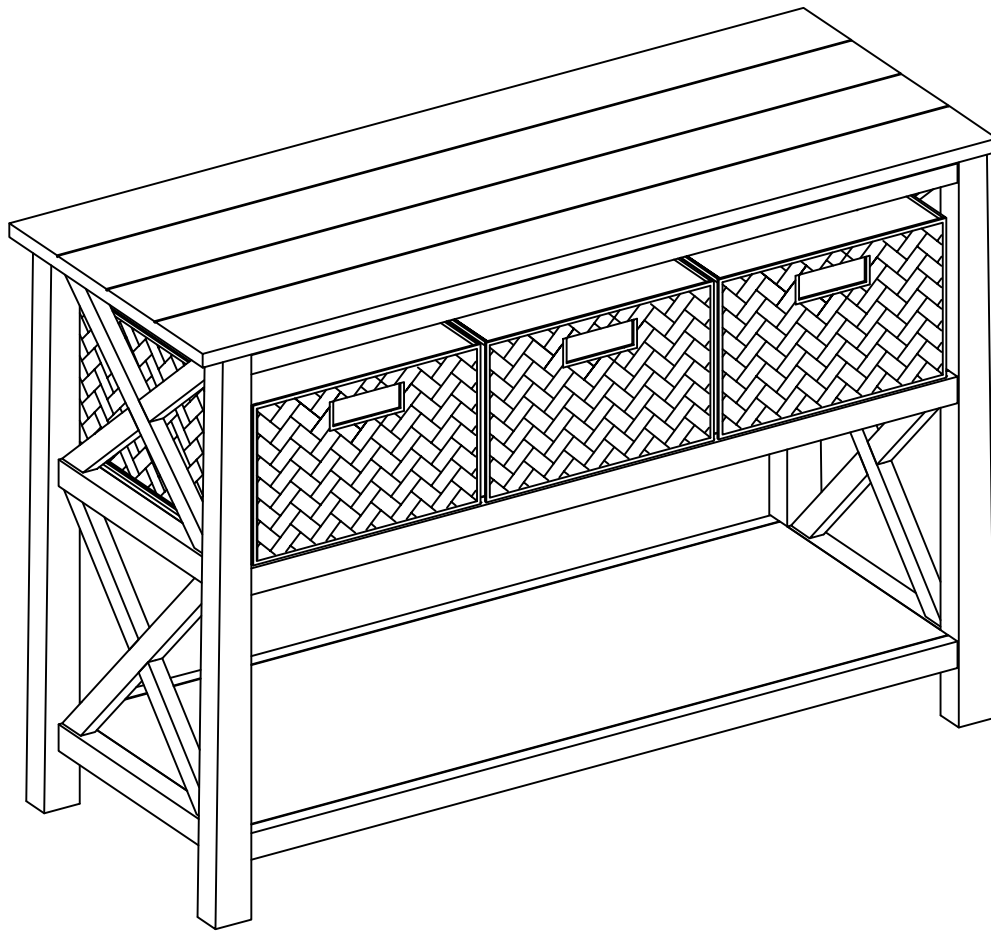
- A. INSERT BASKET BOTTOM (E) INTO BASKET (D).
- B. REPEAT FOR REMAINING BASKETS.



ASSEMBLY INSTRUCTIONS (CONTINUED)

STEP 7

- A. ROTATE THE ASSEMBLED UNIT TO UPRIGHT POSITION.
- B. PLACE THE BASKETS INTO CONSOLE TABLE AS SHOWN.



*** WE RECOMMEND THAT YOU SAVE THE ALLEN WRENCH (J) AND PERIODICALLY TIGHTEN ALL BOLTS (F).

WEIGHT LIMIT:

TOP: 200 LBS, SHELVES: 60 LBS EACH, BASKETS: 20 LBS.

CARE AND CLEANING

1. WIPE CLEAN WITH A SOFT, DRY CLOTH AS NEEDED.
2. BASKETS: DO NOT BRING IN CONTACT WITH WATER OR LIQUIDS. WIPE CLEAN WITH A SOFT, DRY CLOTH AS NEEDED.
3. DO NOT SIT, STAND, OR CLIMB ON CONSOLE TABLE.
4. INTENDED FOR INDOOR USE ONLY.



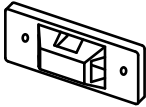

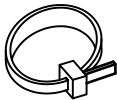
ANTI-TIP HARDWARE MOUNTING INSTRUCTIONS FOR DRYWALL (CONTINUED)

PHILIPS HEAD SCREW DRIVER, DRILL, 7/32" DRILL BIT NEEDED FOR ASSEMBLY; **NOT INCLUDED**.

FOR SAFETY REASONS, WE RECOMMEND THAT YOU INSTALL THE INCLUDED ANTI-TIP HARDWARE TO HELP PREVENT THE CONSOLE TABLE FROM UNEXPECTEDLY TIPPING OR SHIFTING.

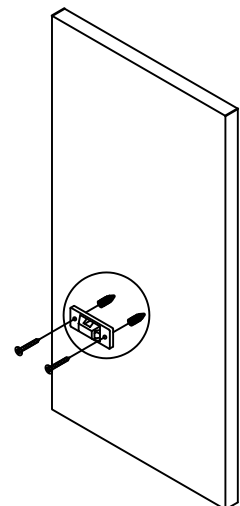
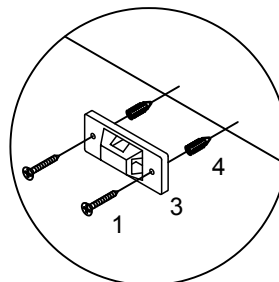
THE INCLUDED MATERIALS ARE DESIGNED TO MOUNT THE ANTI-TIP HARDWARE TO DRYWALL.

PLEASE CONSULT A REPRESENTATIVE AT A HARDWARE/HOME IMPROVEMENT STORE TO DISCUSS ADDITIONAL MOUNTING OPTIONS FOR OTHER TYPES OF WALLS.

PART LIST	FIGURE	QUANTITY	DESCRIPTION
1		2 PCS	LONG SCREW 5/16" x 1-1/2"
2		2 PCS	SHORT SCREW 5/16" x 3/4"
3		2 PCS	MOUNTING BRACKET
4		2 PCS	WALL ANCHOR
5		1 PC	ZIP TIE

STEP 1

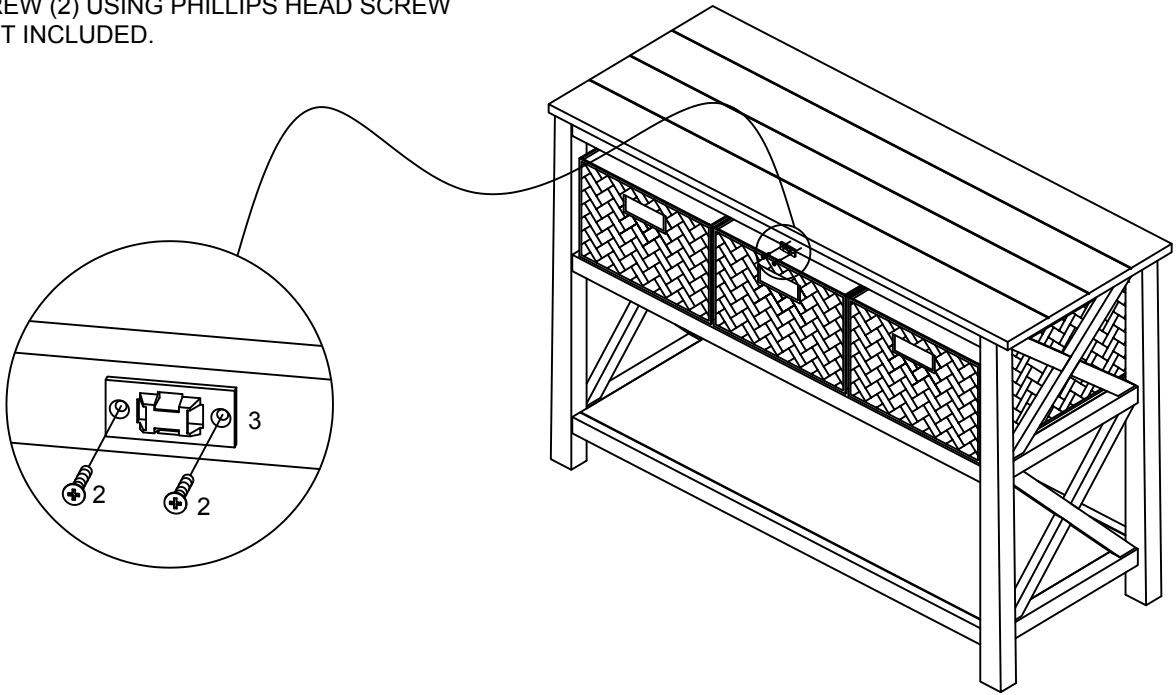
- A. DETERMINE WHERE THE CONSOLE TABLE IS PLACED, THEN MARK THE POSITION OF MOUNTING BRACKET ON THE WALL.
- B. DRILL HOLES IN THE WALL. PRESS THE PLASTIC ANCHOR (N) INTO THE HOLES.
- C. ALIGN MOUNTING BRACKET WITH THE PLASTIC ANCHORS (4) INSERT LONG SCREW (1) THROUGH MOUNTING BRACKET (3) INTO WALL ANCHOR (4) USING PHILIPS HEAD SCREW DRIVER, NOT INCLUDED.



ANTI-TIP HARDWARE MOUNTING INSTRUCTIONS FOR DRYWALL (CONTINUED)

STEP 2

- A. ATTACH MOUNTING BRACKET TO APRON (JUST BELOW TOP) AT CENTER BACK OF CONSOLE TABLE WITH SHORT SCREW (2) USING PHILLIPS HEAD SCREW DRIVER, NOT INCLUDED.



STEP 3

- A. ALIGN CONSOLE TABLE MOUNTING BRACKET TO WALL MOUNTING BRACKET.
B. FEED THE ZIP TIE (5) THROUGH BOTH MOUNTING BRACKETS (3) TO CONNECT
C. CHECK TO MAKE SURE THE ZIP TIE (5) IS SECURELY TIGHTENED.

