

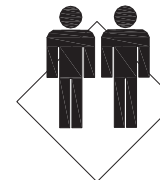
USER'S MANUAL
7 PCS SOFA SET

THIS INSTRUCTION BOOKLET CONTAINS **IMPORTANT** SAFETY INFORMATION. PLEASE READ AND KEEP FOR FUTURE REFERENCE.

Please give us a chance to make it right and do better!

Contact our friendly customer service department for help first.
Replacements for missing or damaged parts will be shipped ASAP!

FLOOR AREA
2MX2M



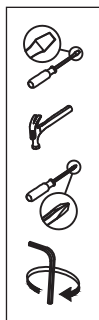
ASSEMBLED BY 2ADULT

Contact Us!

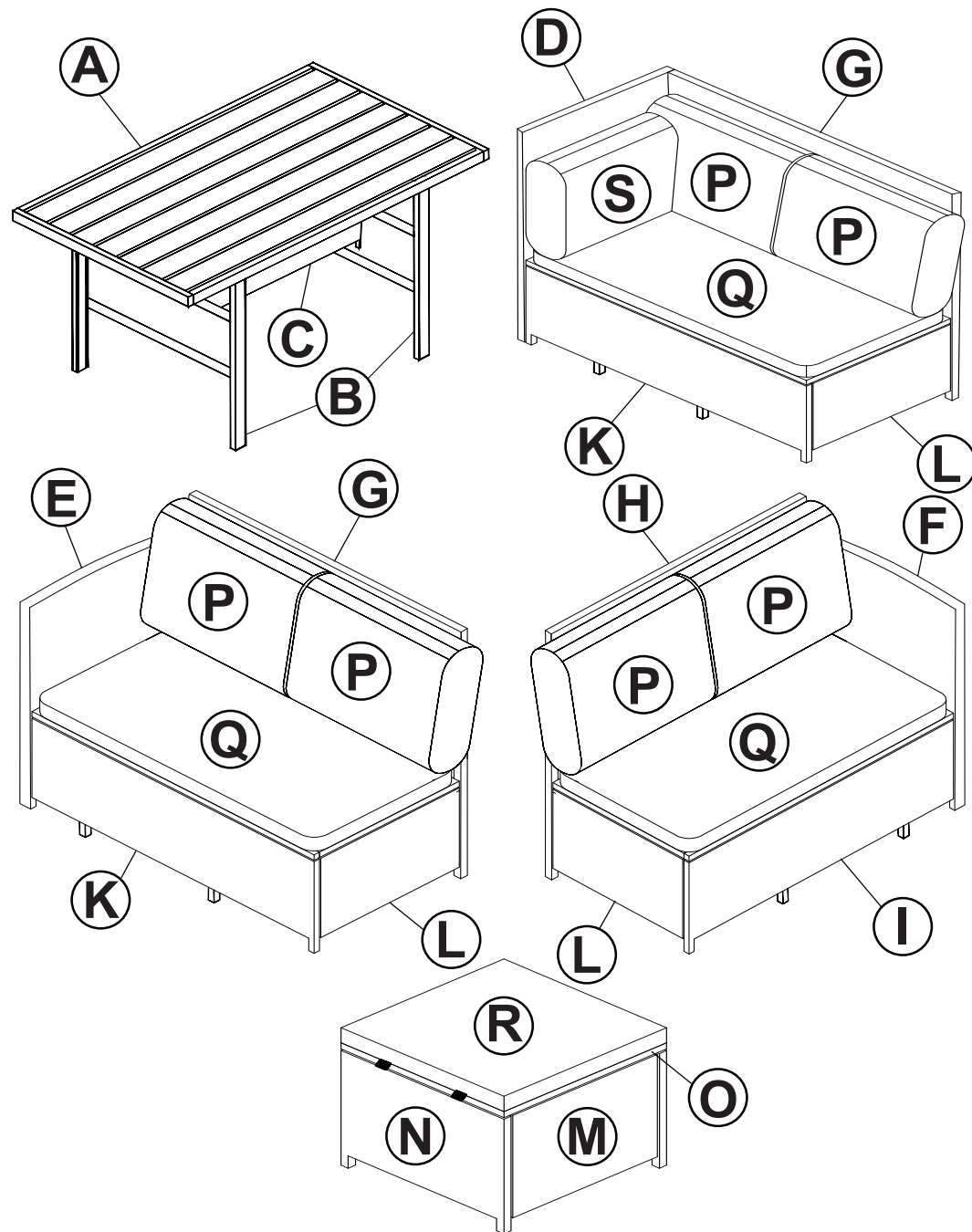
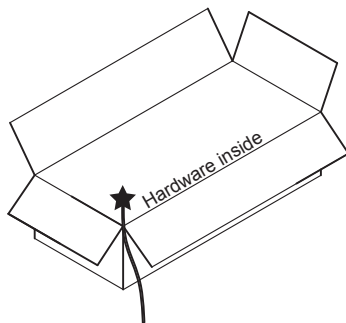
Do NOT return this item.

Contact our friendly customer service department for help first.

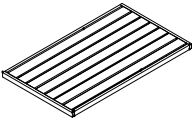
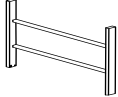

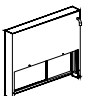
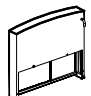
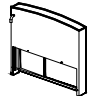
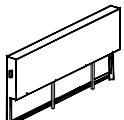
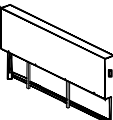
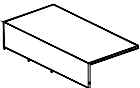

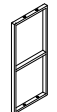
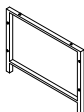
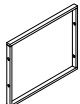
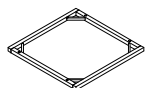
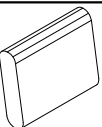
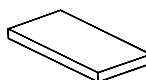
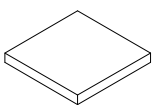
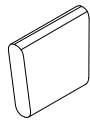
Before You Start









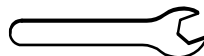

- ⚠ Read each step carefully before starting. It is very important to ensure each step followed in correct order, otherwise assembly difficulties may occur.
- ⚠ Most of board parts are labeled or stamped on the raw edges. Have a check to make sure all parts are included.
- ⚠ Work in a spacious area, preferably on a carpet close to where the unit will be used.
- ⚠ Keep the handtools close at hand. Do not use power tools to assemble your furniture. They may scratch or damage the parts.



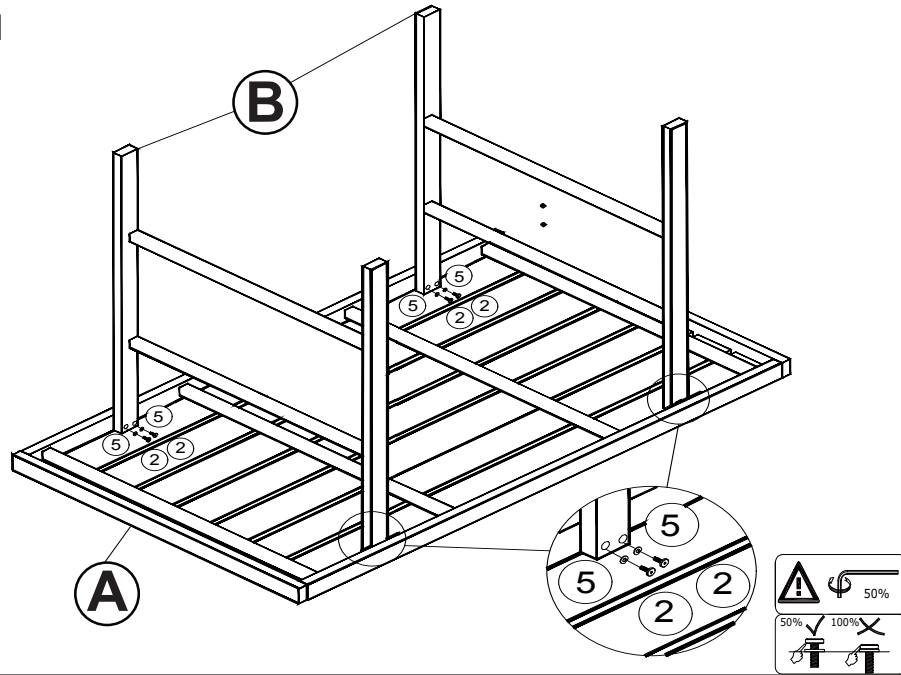
Part List

A		1 pc	B		2 pcs
C		1 pc	D		1 pc
E		1 pc	F		1 pc
G		2 pcs	H		1 pc
I		1 pc	K		2 pcs
L		3 pcs	M		6 pcs
N		6 pcs	O		3 pcs
P		6 pcs	Q		3 pcs
R		3 pcs	S		1 pc

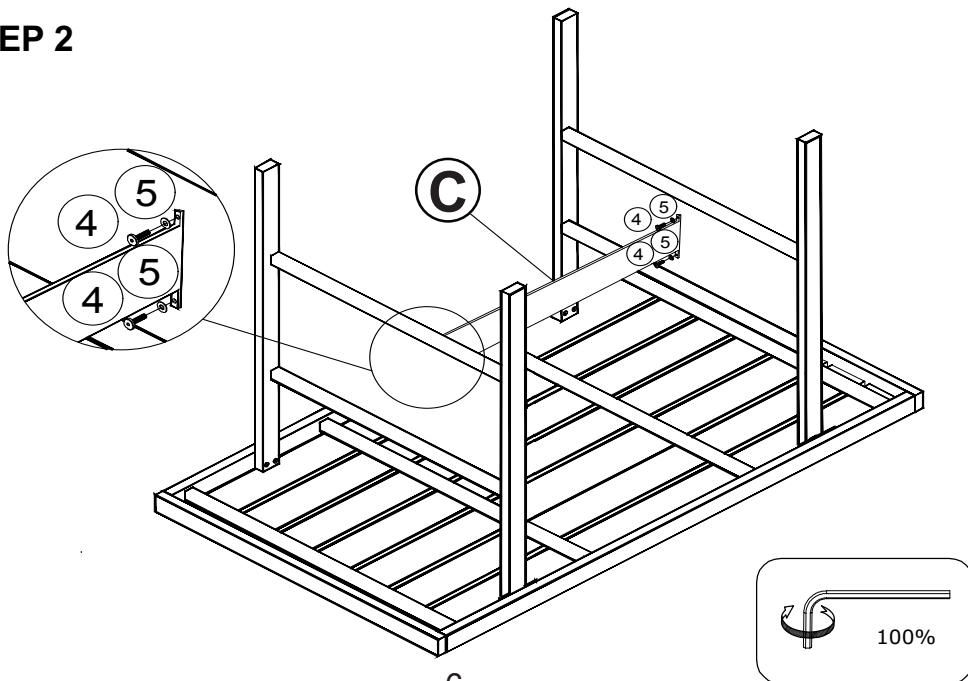
Bolt and Accessories

	Description	Hardware	Spec	Qty
1	Bolt		M6 x 60 mm	18 pcs
2	Bolt		M6 x 40 mm	20 pcs
3	Bolt		M6 x 30 mm	42 pcs
4	Bolt		M6 x 20 mm	4 pcs
5	Washers		M6	114 pcs
6	Nut		M6	30 pcs
7	Wrench		M10	2 pcs
8	Allen key		M4	2 pcs

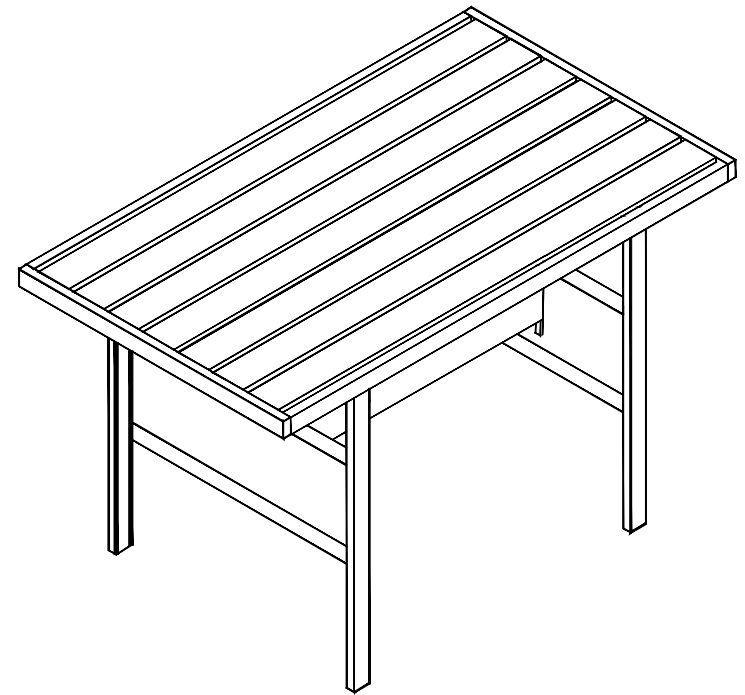
STEP 1



STEP 2

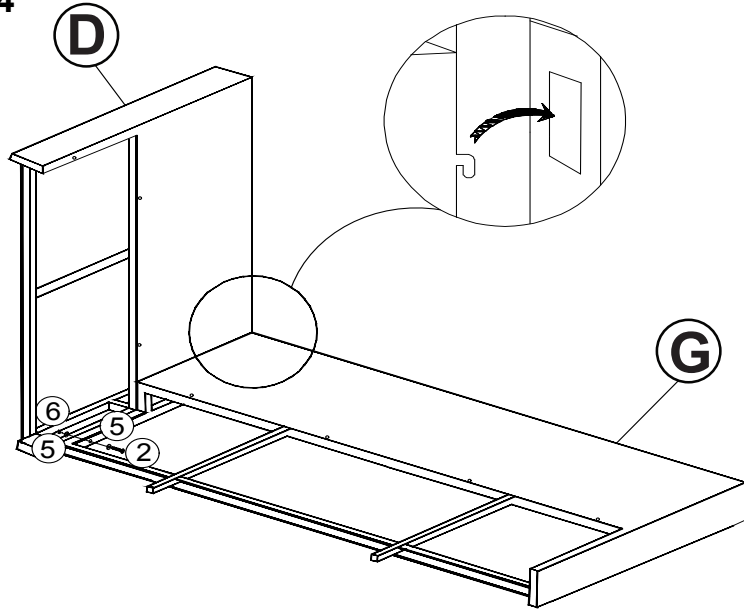


STEP 3

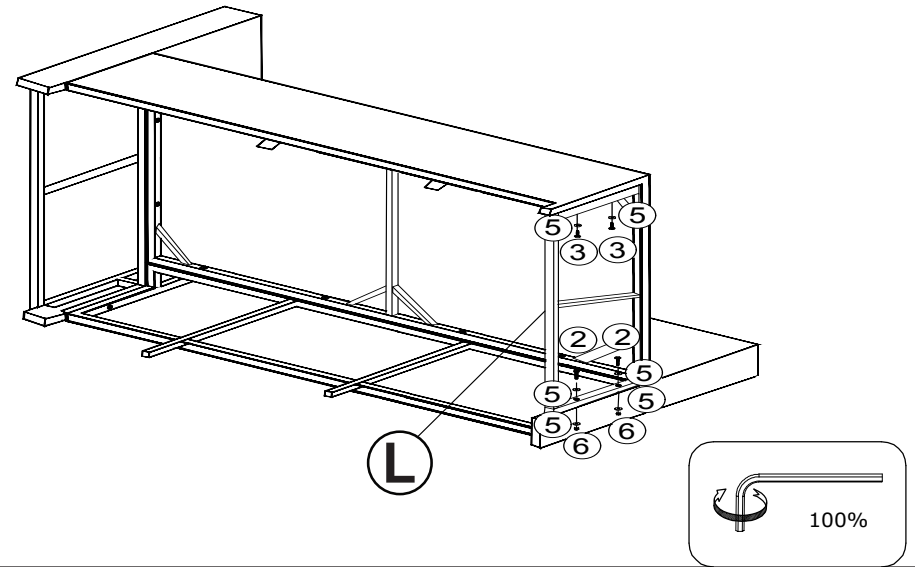


Finished

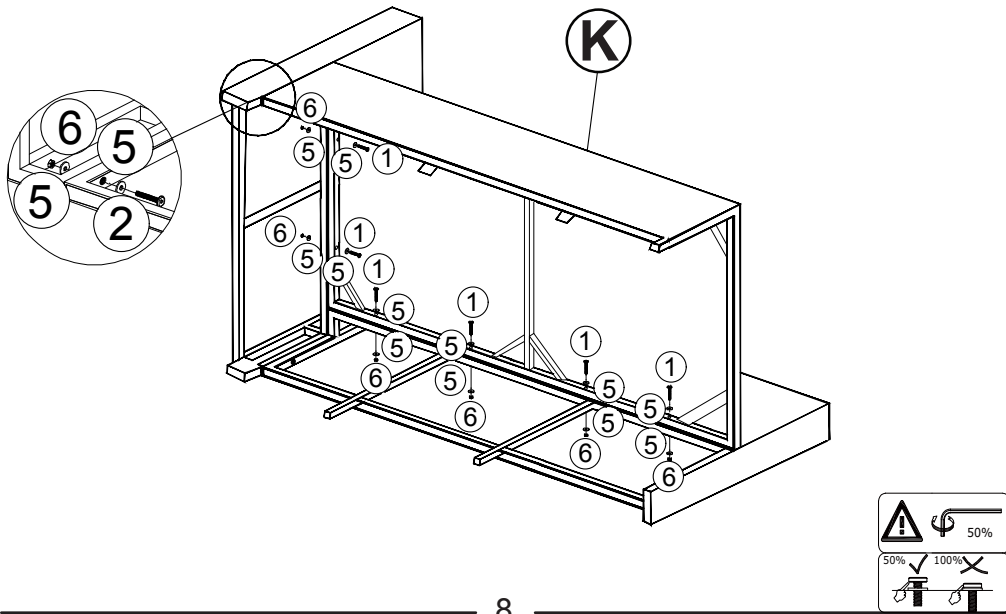
STEP 4



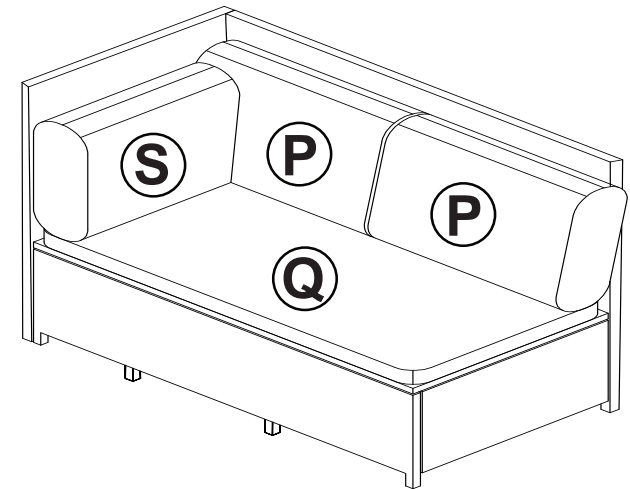
STEP 6



STEP 5

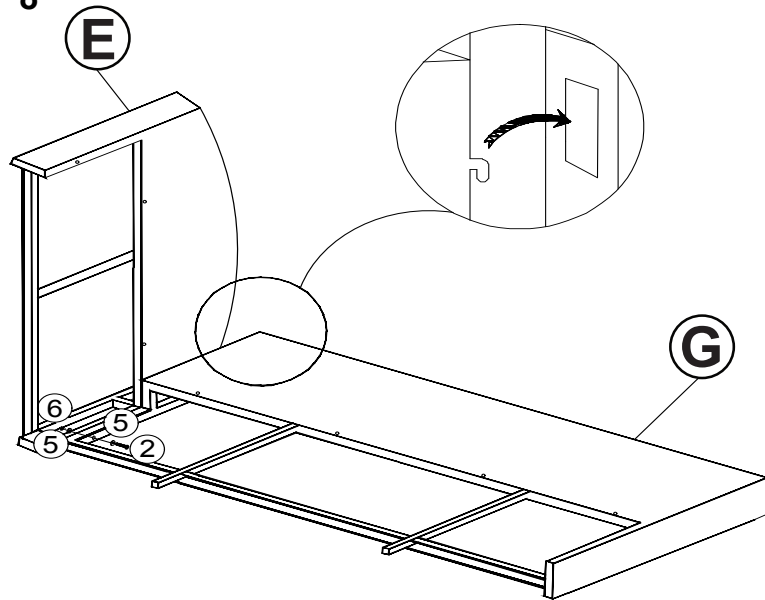


STEP 7

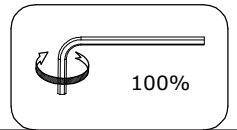
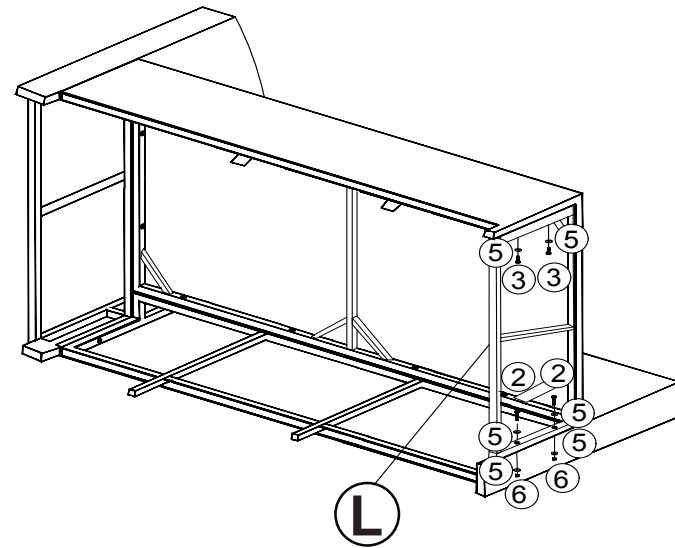


Finished

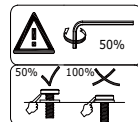
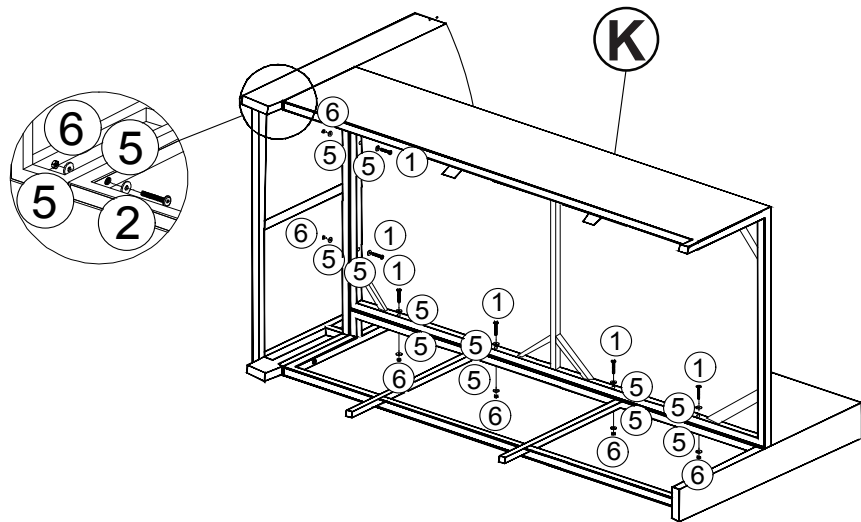
STEP 8



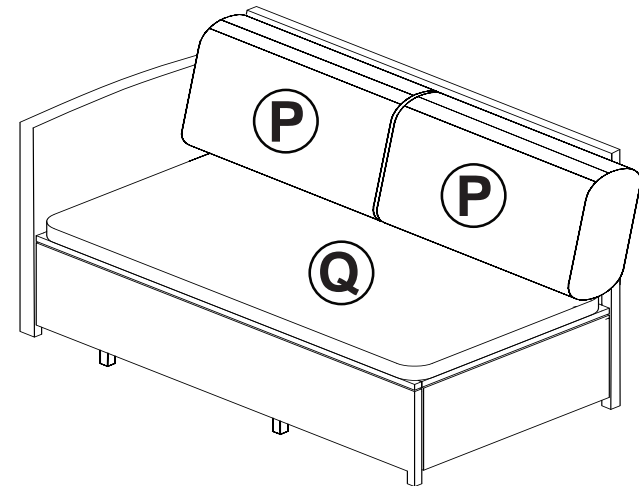
STEP 10



STEP 9

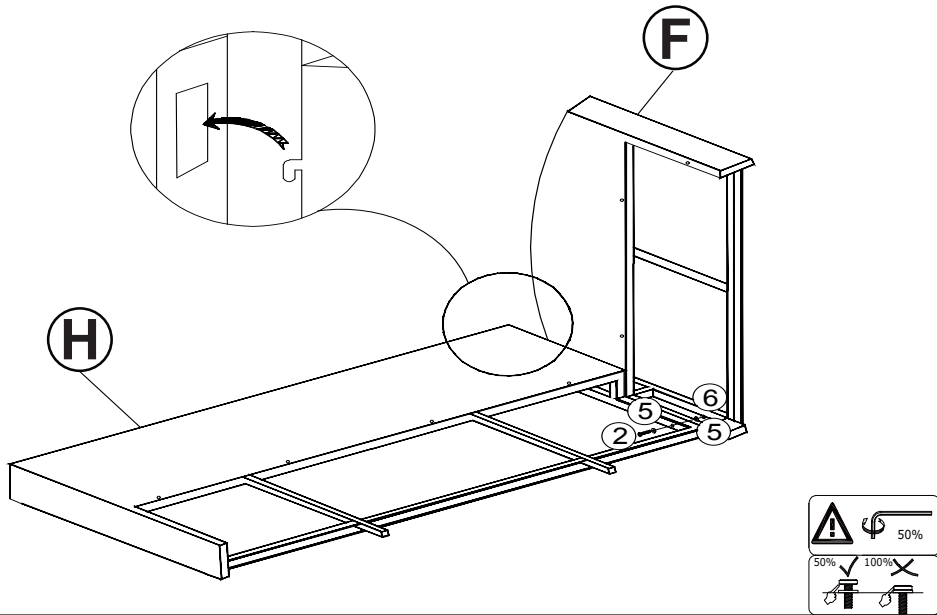


STEP 11

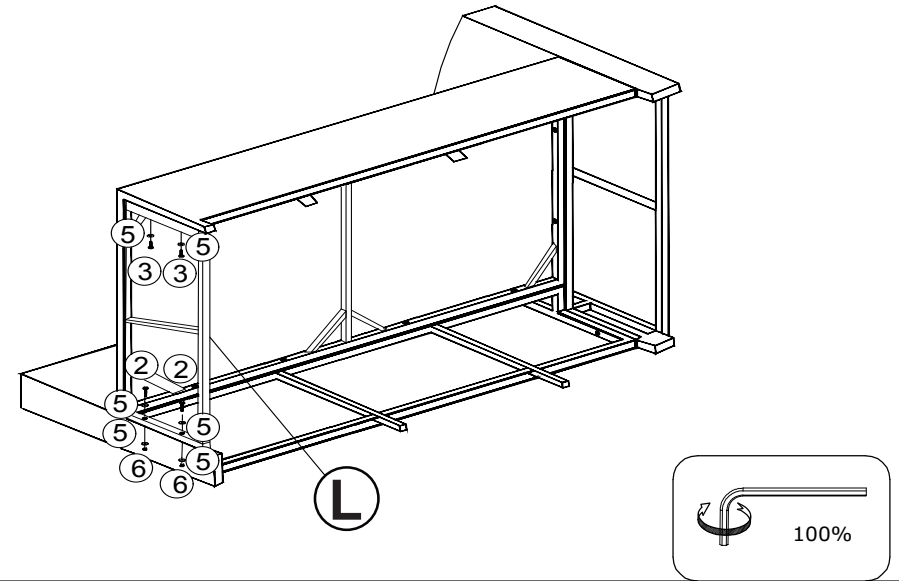


Finished

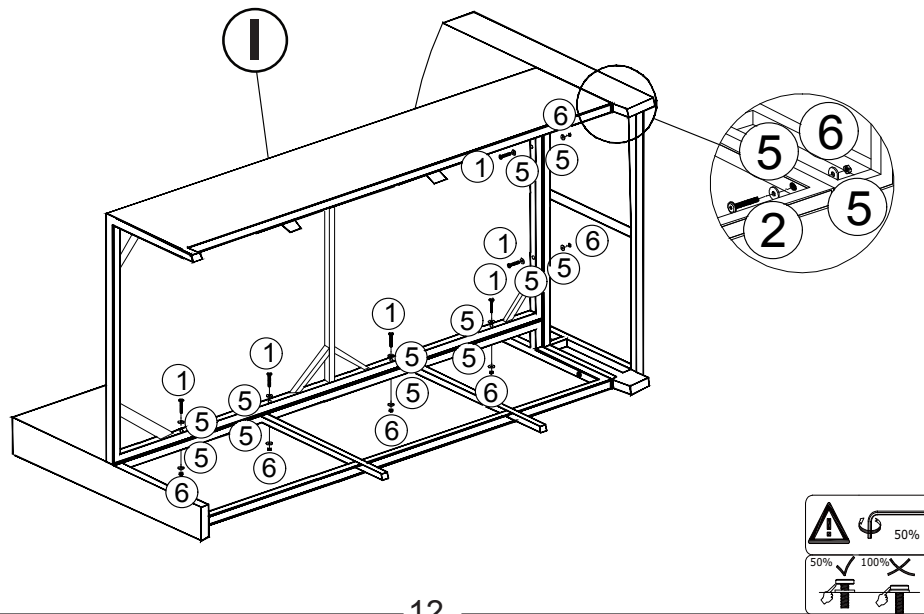
STEP 12



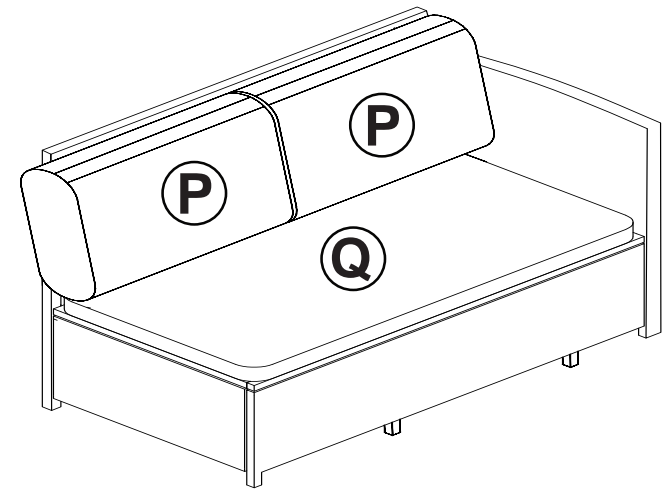
STEP 14



STEP 13

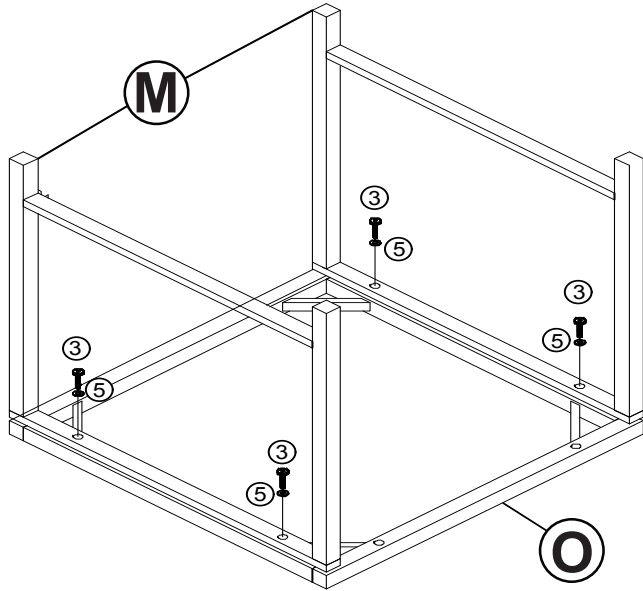


STEP 15

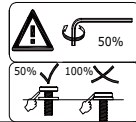


Finished

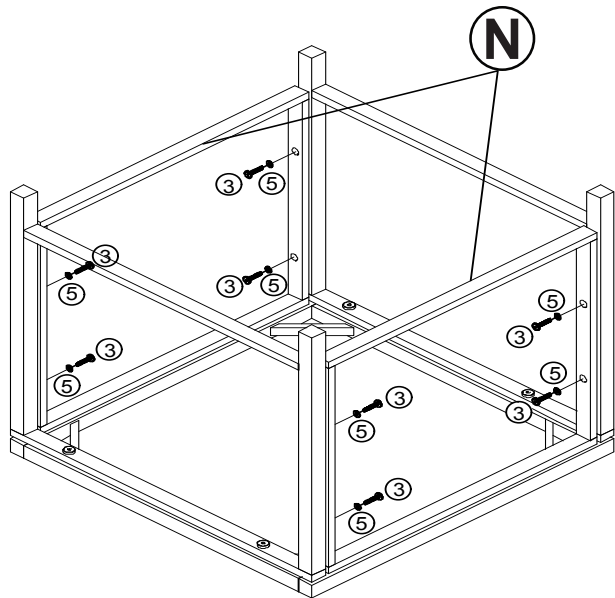
STEP 16



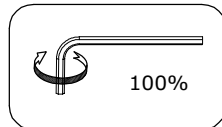
x3



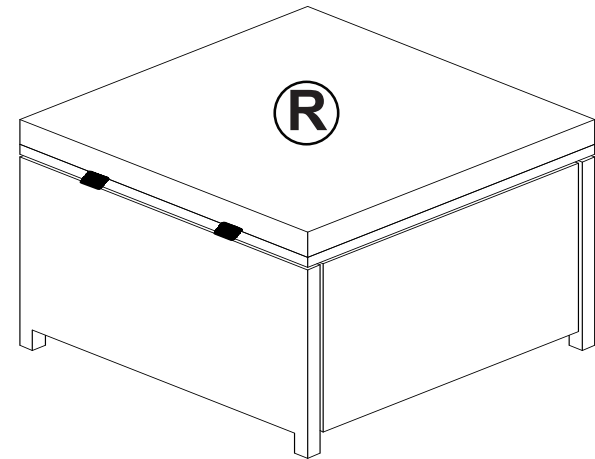
STEP 17



x3



STEP 18



x3

Finished

Care and Maintenance

Use a soft, clean cloth that will not scratch the surface when dusting.

Use of furniture polish is not necessary.

Should you choose to use polish, test first in an inconspicuous area.

Using solvents of any kind on your furniture may damage the finish.

Liquid spills should be removed immediately. Using a soft clean cloth, blot the spill gently. Avoid rubbing.

Check bolts/screws periodically and tighten them if necessary.

Further advice about wood furniture care

Please protect your outdoor furniture with a cover when not in use since Long-term sunlight exposure will result in the damage on the surface.

In addition to sunlight damage, wood and metal frame suffers when exposed to extremes in temperature and humidity.

Proper care and cleaning at home will extend the life of your purchase.

Following these important and helpful tips will enhance your furniture as it ages.