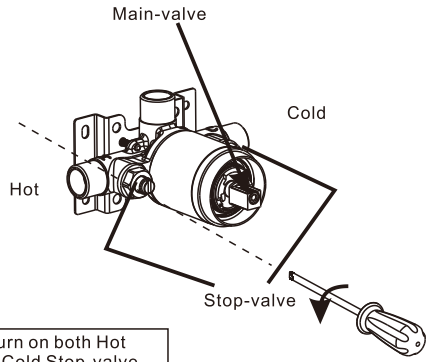
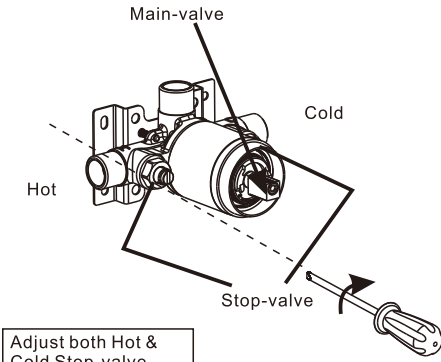


Picture 1



Turn on both Hot & Cold Stop-valve to full-open Position.

Picture 2

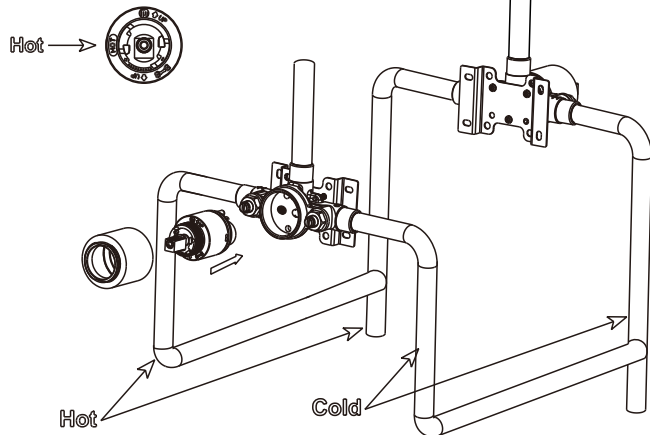


Adjust both Hot & Cold Stop-valve (Clockwise) half turn.

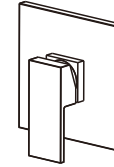
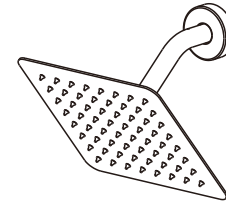
How to solve the issue of Spout & Shower running in the same time?

1. Disassemble the Handle & Escutcheon;
2. Make sure the Hot/Cold Stop-valve in Turn-on & also to full-open position (adjust by Phillips screwdriver), see below (Picture 1)
3. Turn on the Main-valve with Spout function, if the shower still dripping then, use screw driver to adjust both Hot & Cold Stop-valve (Clockwise) half turn, see below (Picture 2)
4. If the Shower keep dripping. try another half turn for both Hot & Cold side Stop-valve by Clockwise position.

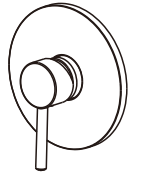
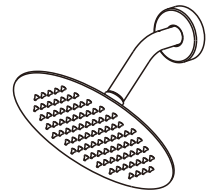
B ↔ B



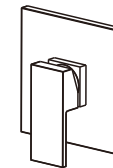
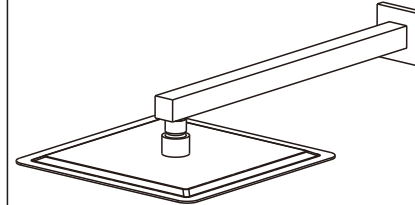
3095400



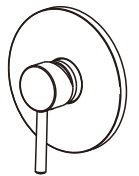
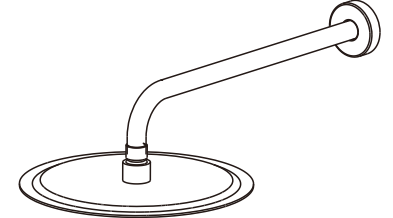
3095600



3095500



3095700



You may need to purchase:
 1/2" Female Threaded to
 1/2" PEX adapters
 1/2" PEX and Copper Couplings
 Crimp Rings
 1/2" Copper and PEX Tubing
 Torch and Lead-free Solder Kit

Safety tips

To avoid crushing and cutting injuries during assembly, gloves must be worn.
 This product is only allowed for bath, hygiene and cleansing purposes.
 Excessive pressure differences between hot and cold water pipes must be balanced.

Installation tips

Before installation, the product must be inspected for transportation damage.
 After installation, transportation damage or surface scratches will not be recognized.
 Pipes and valves must be installed, flushed, and inspected in accordance with common standards.
 Please observe the current installation regulations in your country.
 Use the relief valve only as specified.
 Do not fix semi-dew columns and other components to the relief valve.
 Do not use silica gel containing acetic acid during installation!

Technical parameters

Working pressure : max. 1 Mpa
 Recommended working pressure: 0.1-0.5 Mpa
 Test pressure: 1.6 Mpa
 (1Mpa=10bar=145 PSI)
 Hot water temperature : up to 70°C
 Recommended temperature: up to 65°C
 Thermal disinfection: max 70°C/4 minutes

Tips

1. Before installing the faucet, the debris in the pipeline must be washed away to avoid the pipeline being blocked.
2. Make sure that the pipes are left hot and right cold.

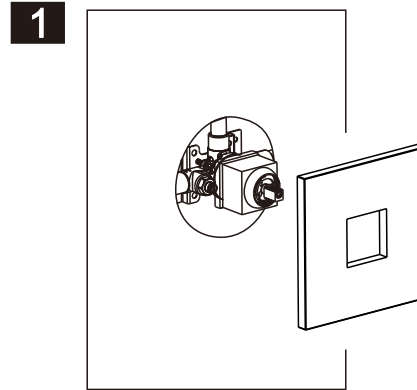
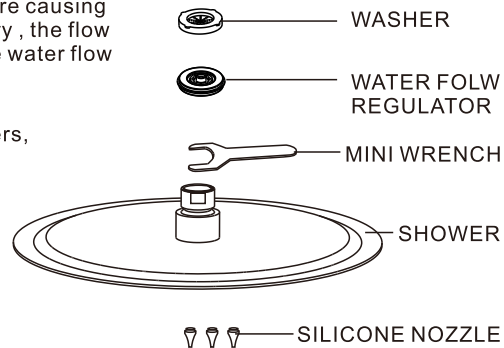
As mandated by U.S. federal law, this showerhead is equipped with water flow regulator that limits maximum water flow to 1.8 GPM (6.8 liters) per minute at 80 psi water pressure.

In areas with extremely low water pressure causing the shower water flow to be unsatisfactory, the flow regulator may be removed to improve the water flow in the shower head.

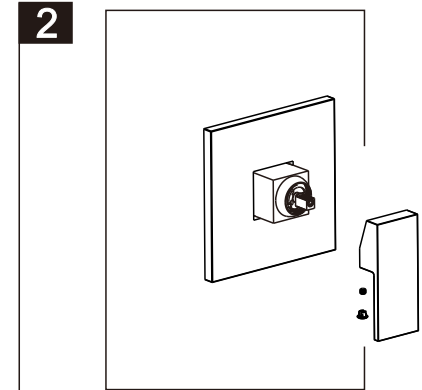
Using screwdriver point or long nose pliers, pull out Water Regulator located inside Shower Handle.

Come with a mini wrench is also attached in case you are lack of strength to tighten.

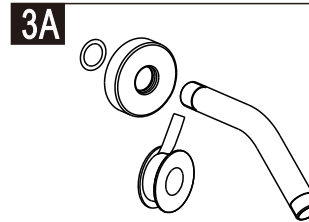
Additional silicone nozzle for future replacement.



1. Reinstall the cartridge, then install the panel on the valve.



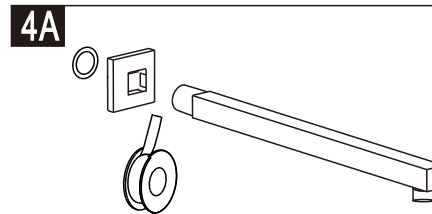
2. Install the handle with Allen key as below picture.



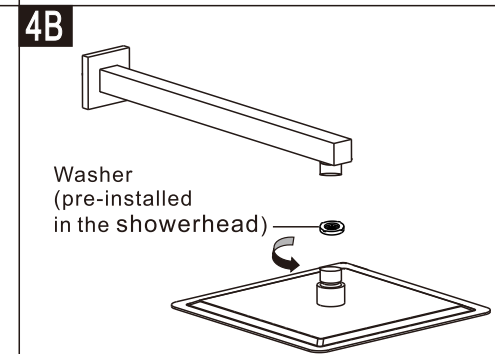
3A. Install the cover, shower arm and shower head as below. Apply teflon tape in a clockwise direction to all threaded connections.



4A. Thread the Showerhead onto Shower Arm. Tighten with #22 tool. **WARNING: DO NOT OVERTIGHTEN.**

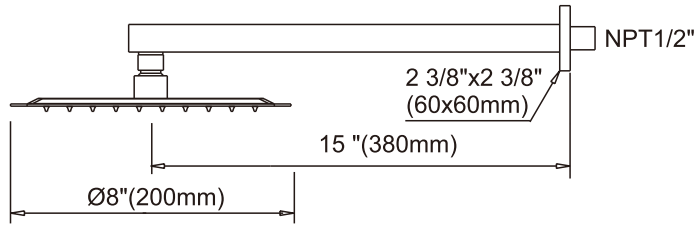


3B. Install the cover, shower arm and shower head as below. Apply teflon tape in a clockwise direction to all threaded connections.



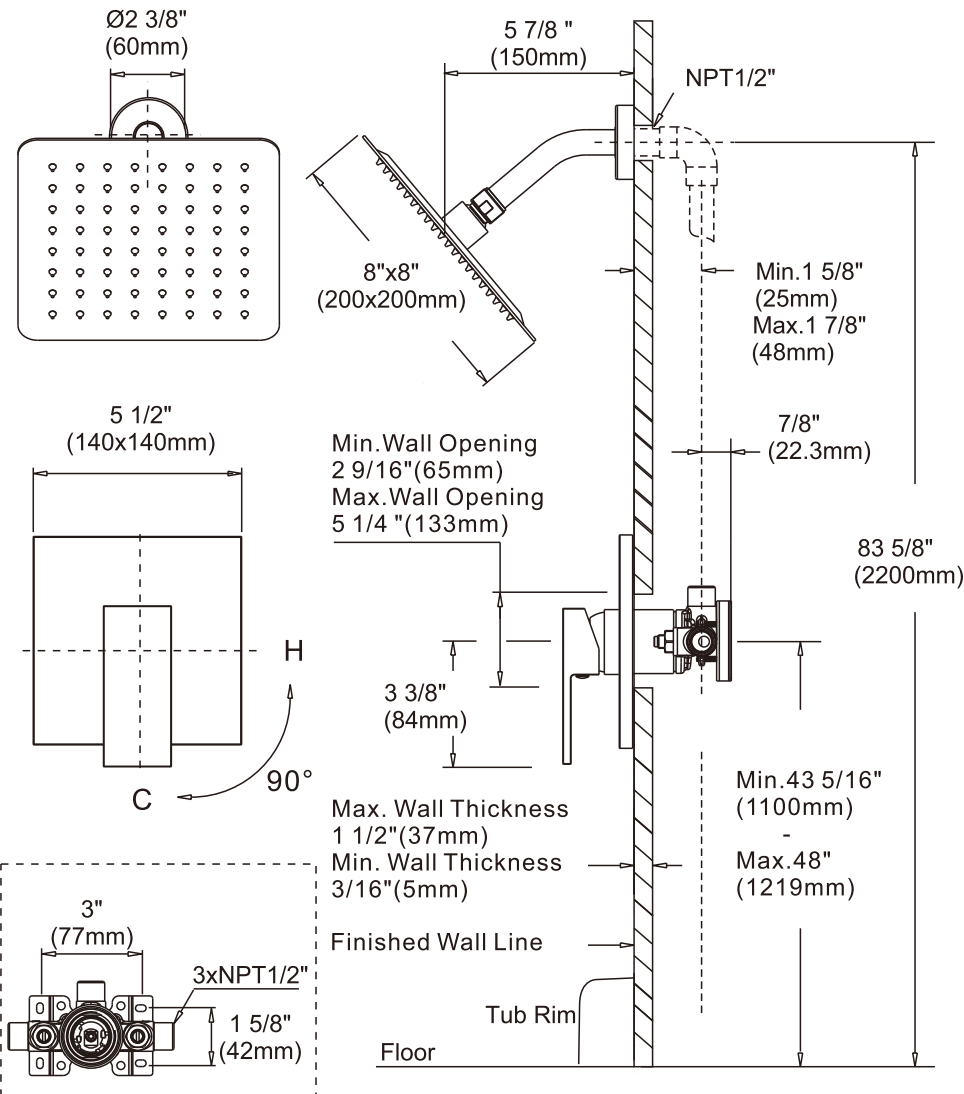
4B. Thread the Showerhead onto Shower Arm. Tighten with #22 tool. **WARNING: DO NOT OVERTIGHTEN.**

3095500

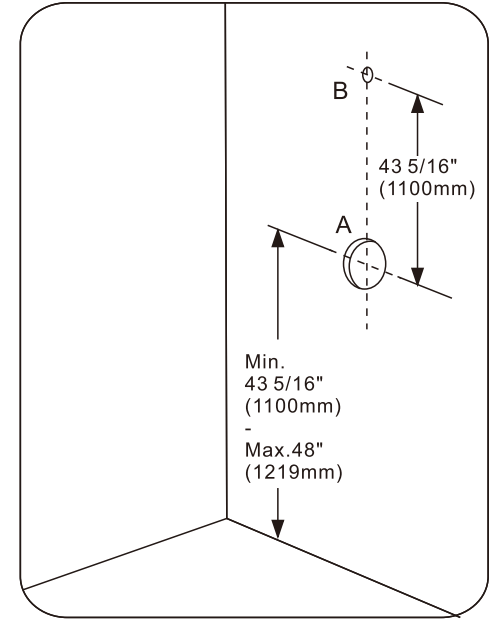
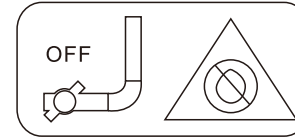


unit:inch (mm)

3095400

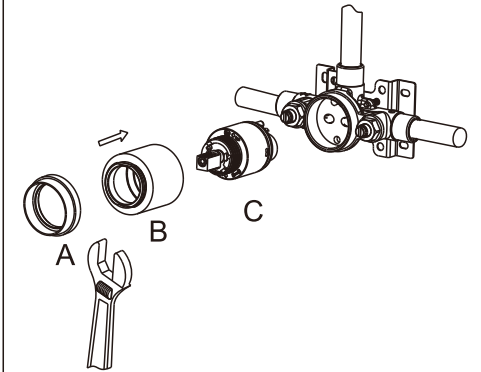
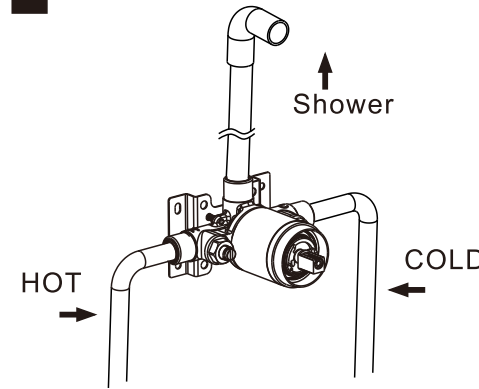


As shown in the figure, please close the main valve of Entrance water pipe.



Drill three holes in the wall according to the drawing:

- A: Pressure balance valve hole
- B: Top spray hole



Connect the valve to the pipes as the right picture, Identify the markings on the back of valve body.

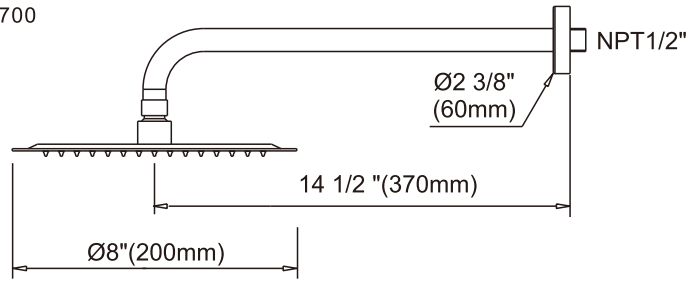
UP marking :
Connect the top spray pipe in the wall.

H marking :
Connect the hot water pipe in the wall.

C marking :
Connect the cold water pipe in the wall.

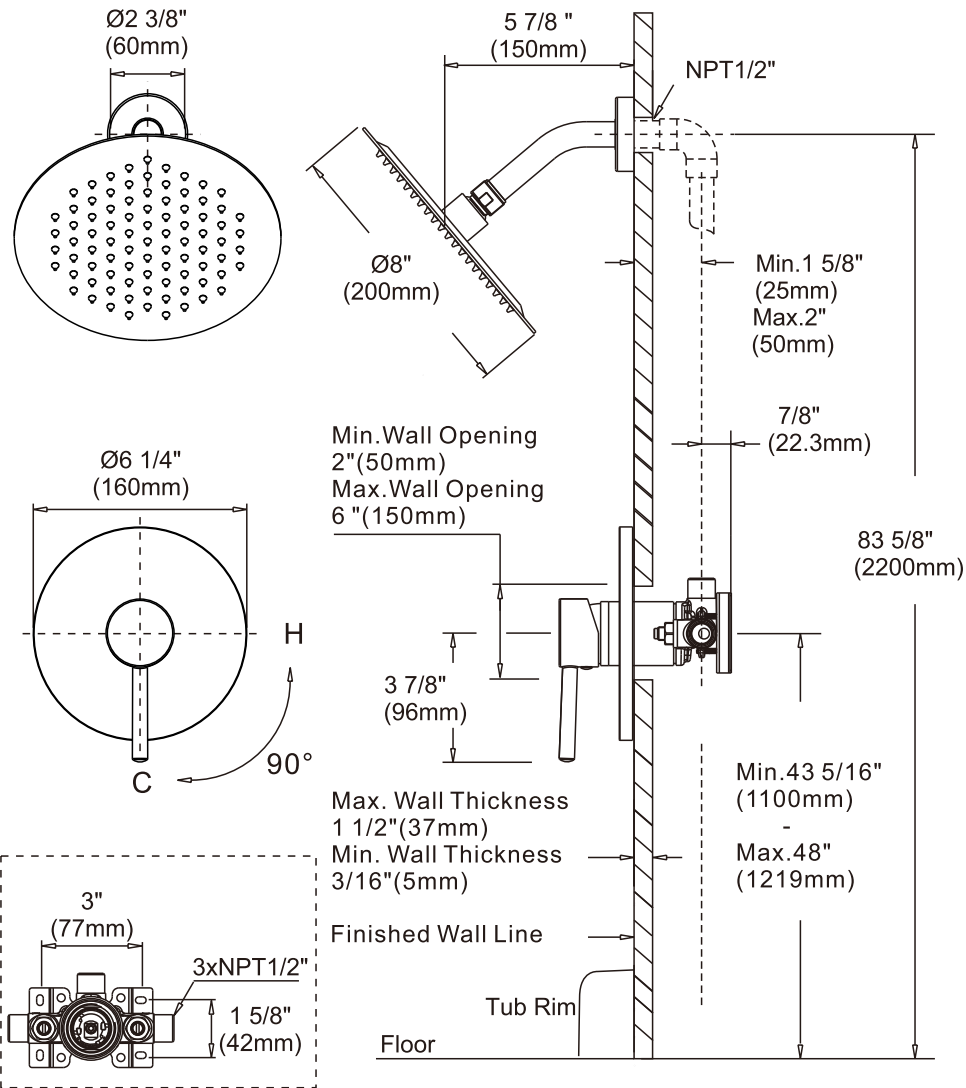
1. Remove the flange (part A) by hand.
 2. Remove the valve gland (part B) by adjustable wrench.
 3. Remove the cartridge (part C) and open the inlet valve to rush the silt in the pipe.
 4. Keep the water flowing for one minute to check the pipe.
- Connection position is leaking.

3095700

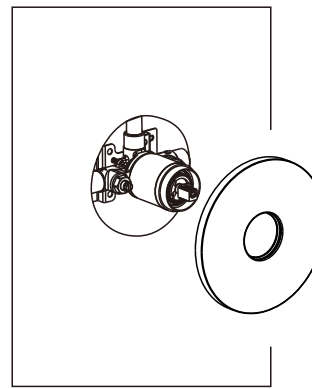


unit:inch (mm)

3095600

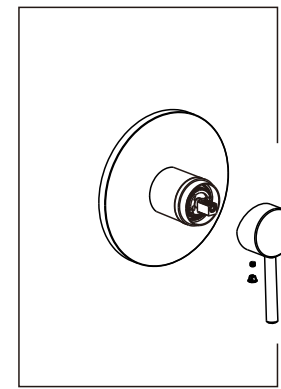


1



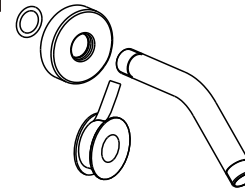
1.Reinstall the cartridge , then install the panel on the valve.

2



2.Install the handle with Allen key as below picture.

3A



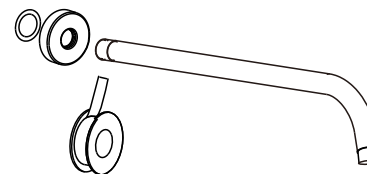
3A.Install the cover, shower arm and shower head as below Apply teflon tape in a clockwise direction to all threaded connections.

3B



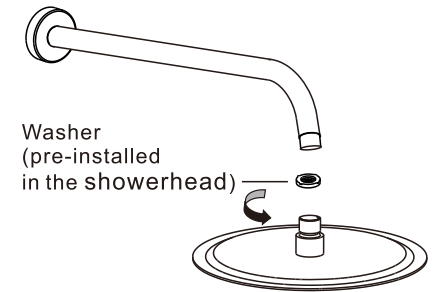
4A. Thread the Showerhead onto Shower Arm. Tighten with #22 tool. WARNING: DO NOT OVERTIGHTEN.

4A



3B. Install the cover, shower arm and shower head as below Apply teflon tape in a clockwise direction to all threaded connections.

4B



4B. Thread the Showerhead onto Shower Arm. Tighten with #22 tool. WARNING: DO NOT OVERTIGHTEN.