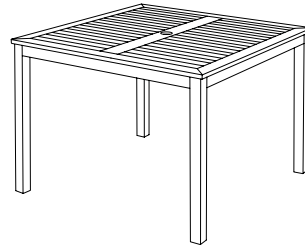


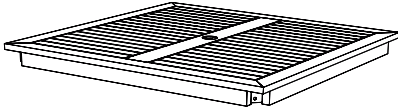
39" TRAVIRA TABLE

ASSEMBLY INSTRUCTIONS

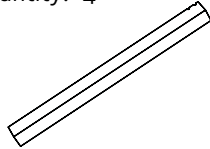


COMPONENTS

- ① Table Top Assembly  
Quantity: 1



- ② Corner Posts  
Quantity: 4



- ③ Parasol Hole Cap  
Quantity: 1



- ④ Aluminum Umbrella Hole Reducer - optional  
Quantity: 1



HARDWARE

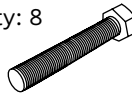
- A Flat Washer  
Quantity: 8



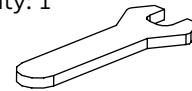
- B Lock Washers  
Quantity: 8



- C Bolts  
Quantity: 8

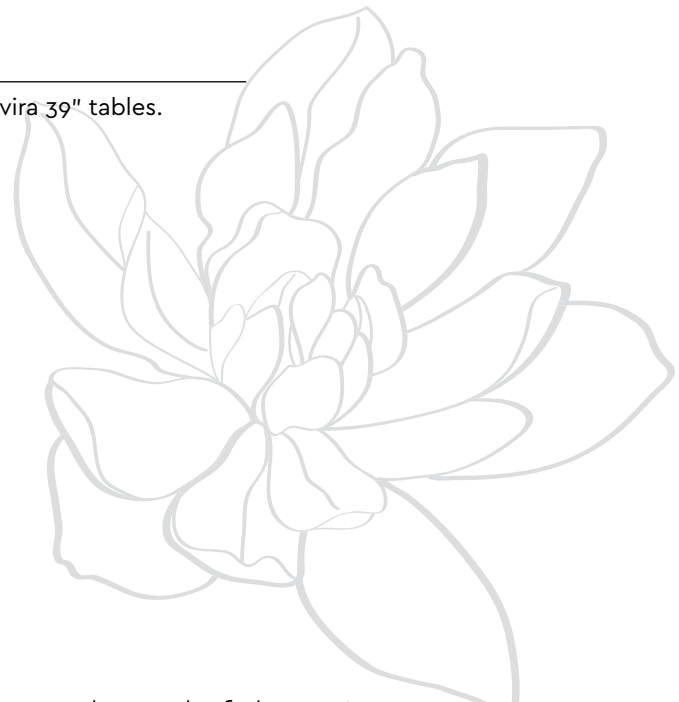


- D Wrench  
Quantity: 1



NOTE

Table top may vary from illustrations but the assembly is the same for all Travira 39" tables.

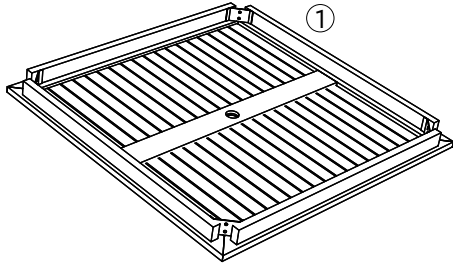


Thoughtful Design **MADE RIGHT**

# INSTRUCTIONS

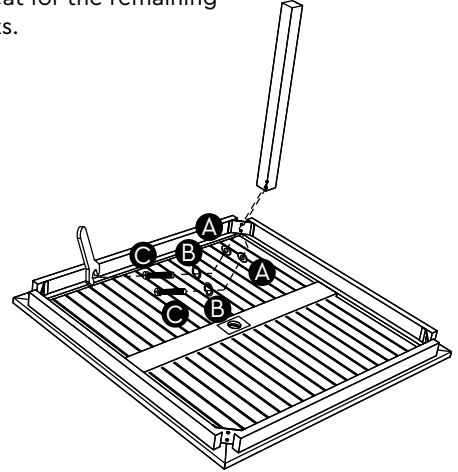
## STEP 1

On a flat surface, lay table ① top upside down.

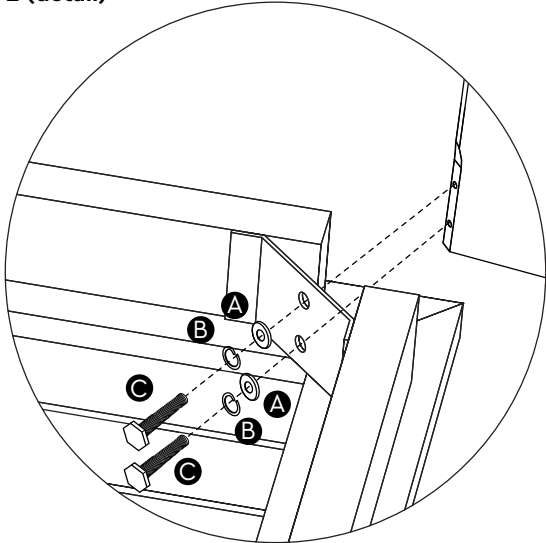


## STEP 2

Using the provided wrench, secure corner post to the table top using a metal lock washer, B washer A and bolt C. Repeat for the remaining 3 corner posts.

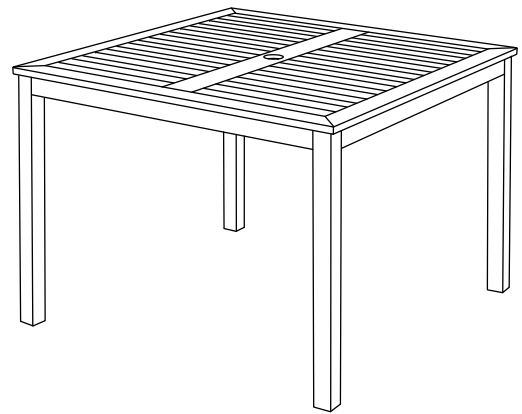


## STEP 2 (detail)



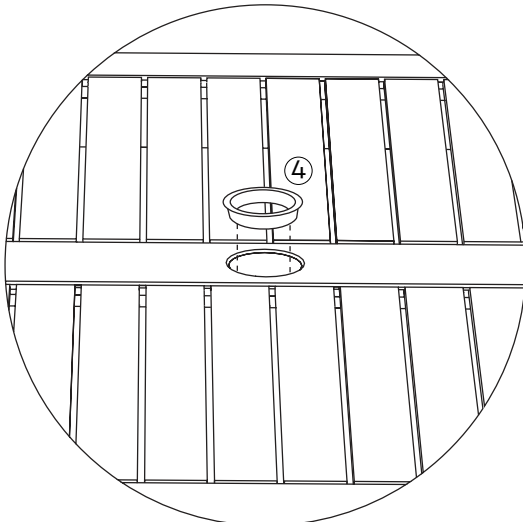
## STEP 3

Carefully turn the assembled dining table in an upright position.



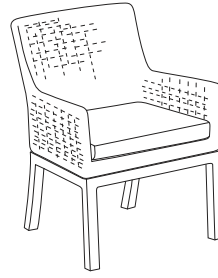
## STEP 4 (Optional)

If you have a smaller umbrella pole - use the provided Aluminum Umbrella Hole Reducer ④ to secure umbrella.



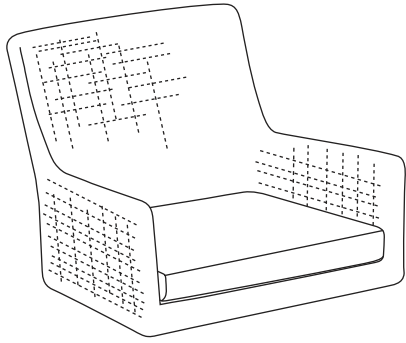
ARGENTO ARM CHAIR

ASSEMBLY INSTRUCTIONS

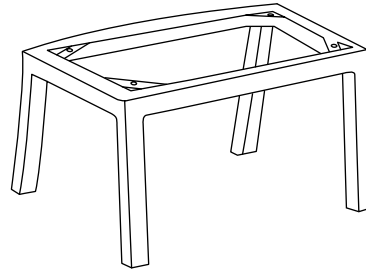


COMPONENTS

① Seat Assembly



② Leg Assembly



HARDWARE

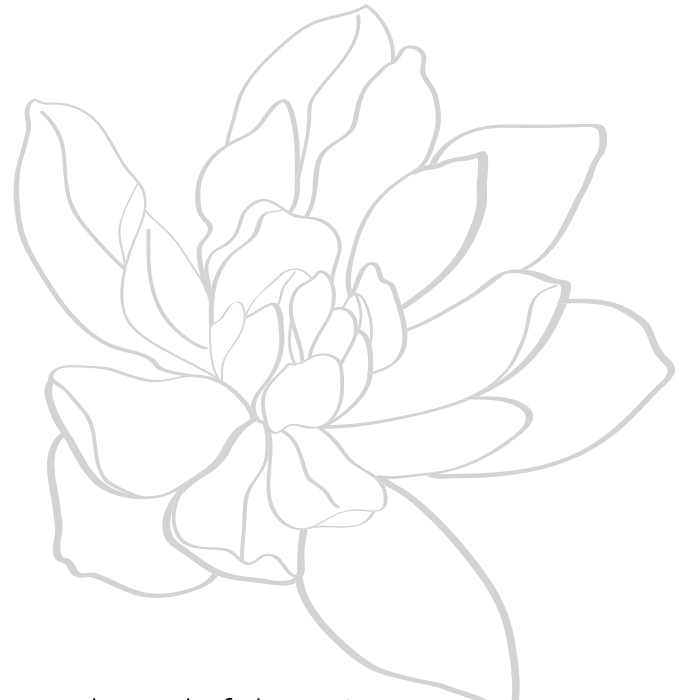
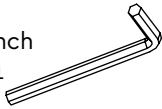
- Ⓐ Short Machine Bolt  
Quantity: 4



- Ⓑ Flat Washer  
Quantity: 4



- Ⓒ Allen Wrench  
Quantity: 1



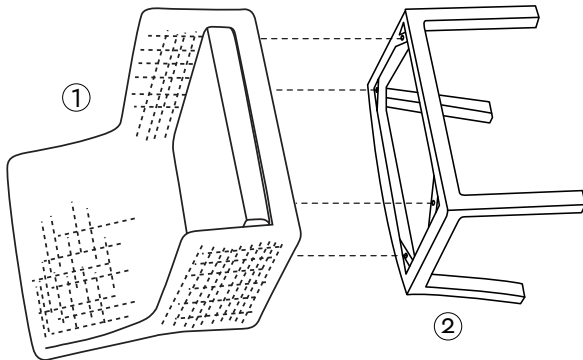
Thoughtful Design **MADE RIGHT**

# INSTRUCTIONS

## STEP 1

Place Seat Assembly ① onto its' side. Line up Leg Assembly ② to the pre drilled holes on the seat assembly as shown.

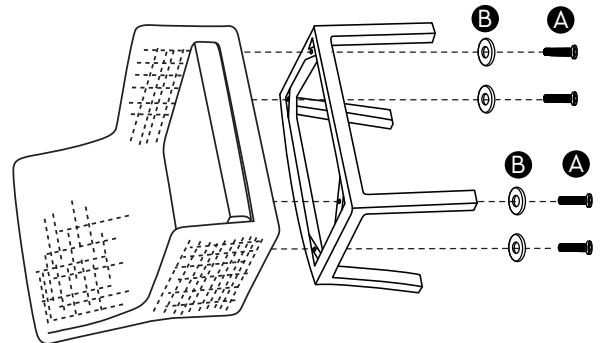
Note: Curved part of leg assembly lines up with the back of the chair.



## STEP 2

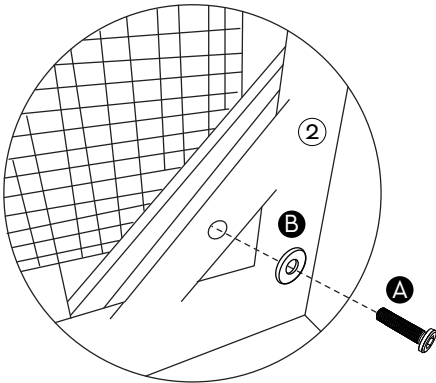
Next, hand thread the bolts A into the pre drilled holes on all four sides, placing the washers first B.

NOTE: Do not tighten in this step.



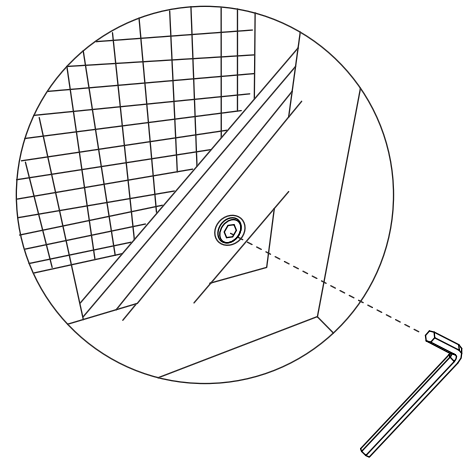
## Step 2 Detail

Underside view



## Step 3

Tighten all four bolts with the allen wrench provided.



## STEP 4

Turn upright and enjoy!

