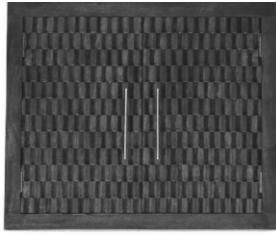


# ASSEMBLY INSTRUCTIONS

ITEM CODE : IN 4058

ITEM DESCRIPTION : CABINET



1

Reverse the cabinet top & place the leg as shown & align the leg to match the apron.



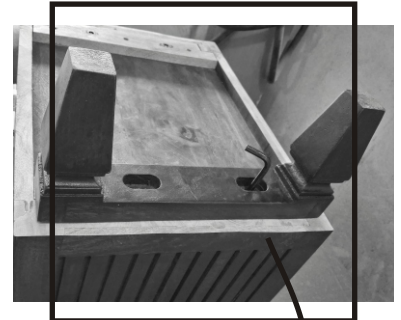
2

Place the bolt & washer in the cut out & tighten it with allen key provided as in Fig1.



3

Fix the other leg set in the similar way



4

Reverse the cabinet straight. Now your cabinet is ready for use

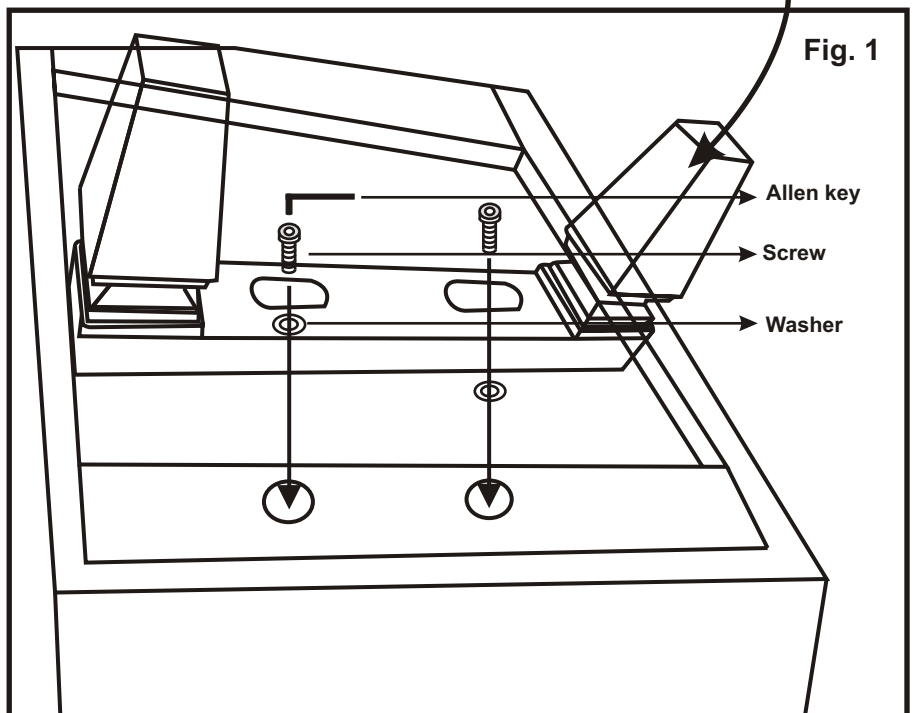


Fig. 1

