

GTPLAYER

ASSEMBLY INSTRUCTIONS

READ THIS MANUAL

THIS INSTRUCTION BOOKLET CONTAINS IMPORTANT SAFETY INFORMATION.

PLEASE READ AND KEEP FOR FUTURE REFERENCE.



Installation QR



This manual is intended for installation and use. The pattern should be subject to the product you receive.

Version 24.11.29

GTPLAYER

E-mail: us@gtplayer.com

Web: www.gtplayer.com

If you have any inquiries regarding the item, please reach out to us using the contact information provided on the left. We strive to resolve your concerns within 24 hours (excluding weekends and holidays).

01 Check Various Accessories Details of accessories

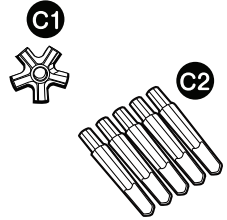
Please check and ensure all the things are in the package.
Feel free to contact us for help if something is not included.



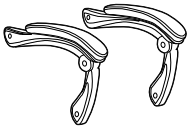
a _____ x1
BACK



b _____ x1
SEAT



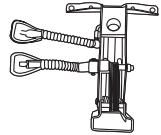
c _____ x1
BASE



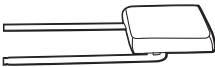
d _____ x2
ARMREST



e _____ x1
GAS LIFT



f _____ x1
MECHANISM



g _____ x1
FOOTREST



h _____ x1
CONNECTOR



i _____ x5
CASTER



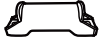
j _____ x1
HEADREST



k _____ x1
LUMBAR PILLOW



l _____ x1
WRENCH




m x2
FOOTREST RAIL



n x1
GAS LIFT COVER

Screws


 **o** M6*20 4pcs

 **p** M8*20 4pcs

 **q** M8*40 4pcs

 **s** M5*10 1pc

 **t** M6*20 5pcs

 **u** $\phi 14^* \phi 24$ 4pcs

 **w** M6*25 4pcs

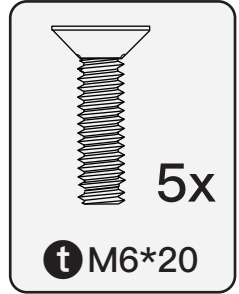
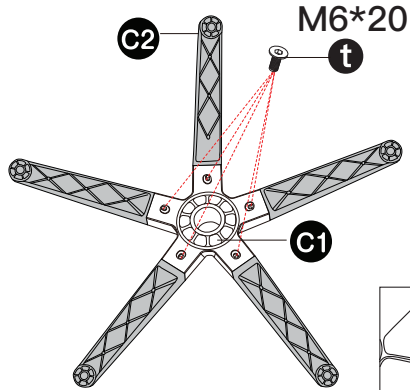
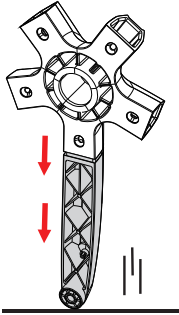
 **x** M6*25 4pcs

 **y** CAP 4pcs

02 Instructions Before Using Chair Installation

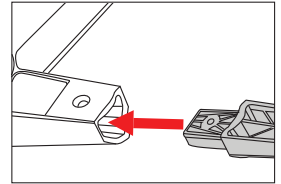
Please keep the original box incase you might need to return or replace the product.

1 Install the base.

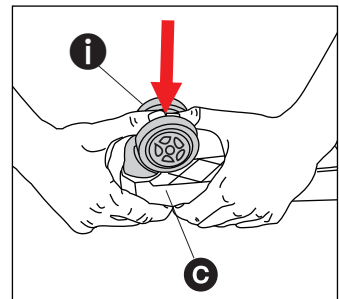
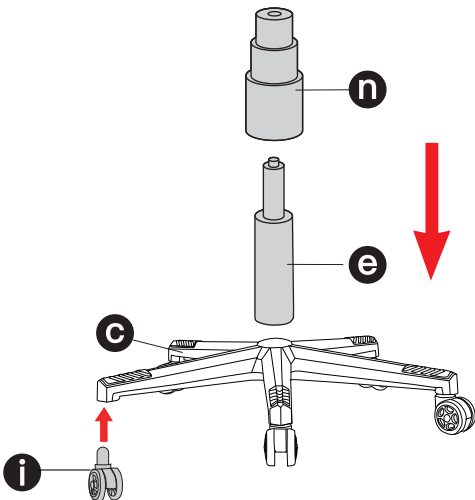


! Attention

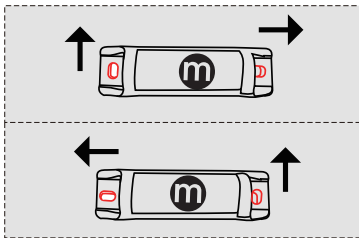
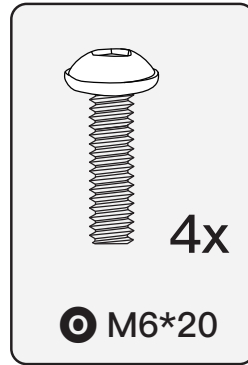
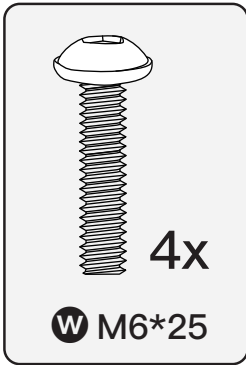
Snap on the ground to align the screw holes.



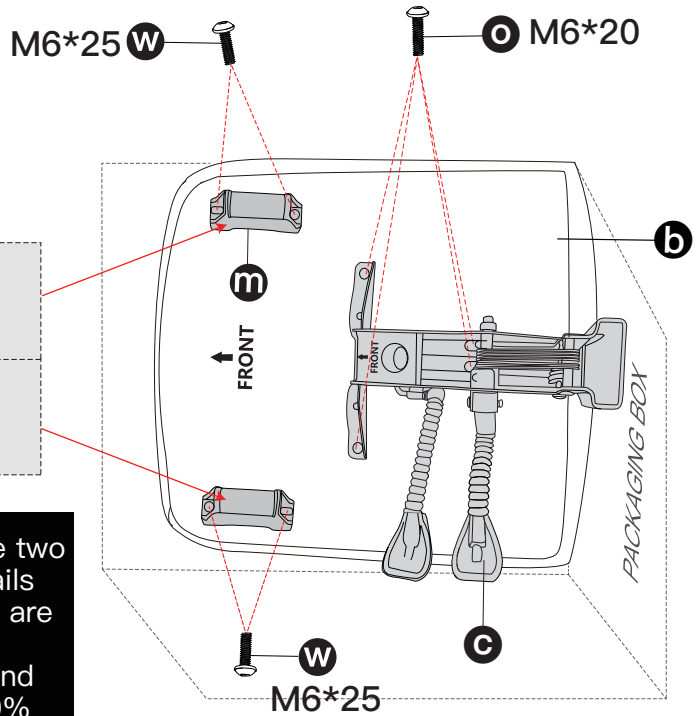
2 Insert the casters. Install the gas lift and insert the gas lift cover.



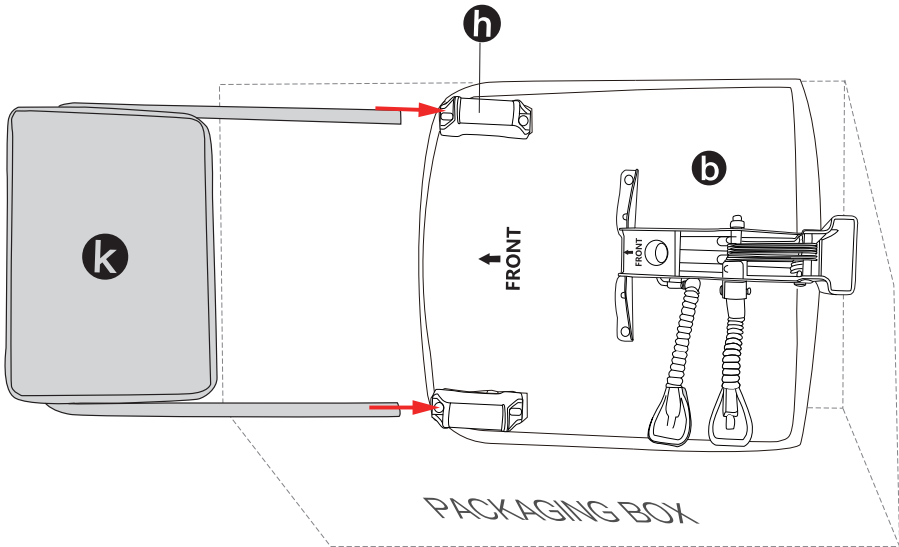
3 Install the mechanism and footrest rails.



The screw holes at the two ends of the footrest rails are different, and they are installed in different directions as shown, and twist all the screws 70% tight at this time.



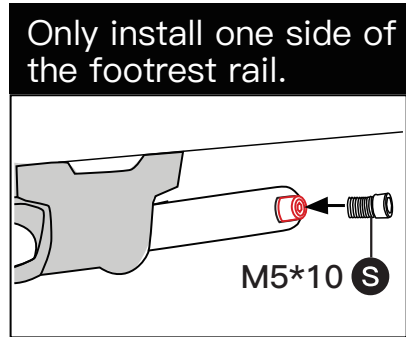
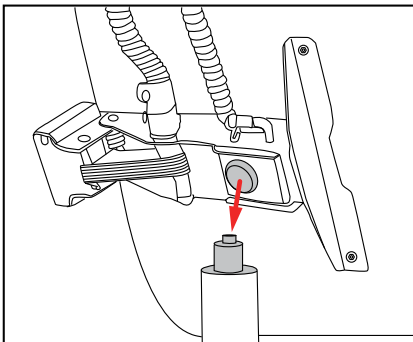
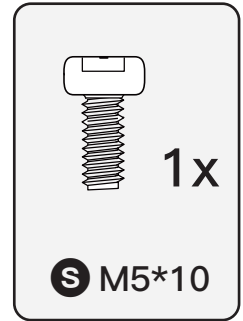
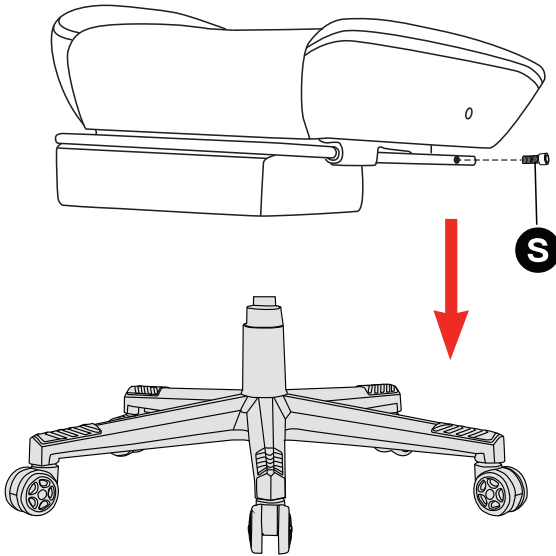
- 4** Adjust the footrest into the footrest rails until it pulls smoothly. (Read the “Note” instructions carefully.)



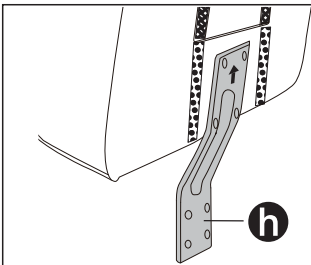
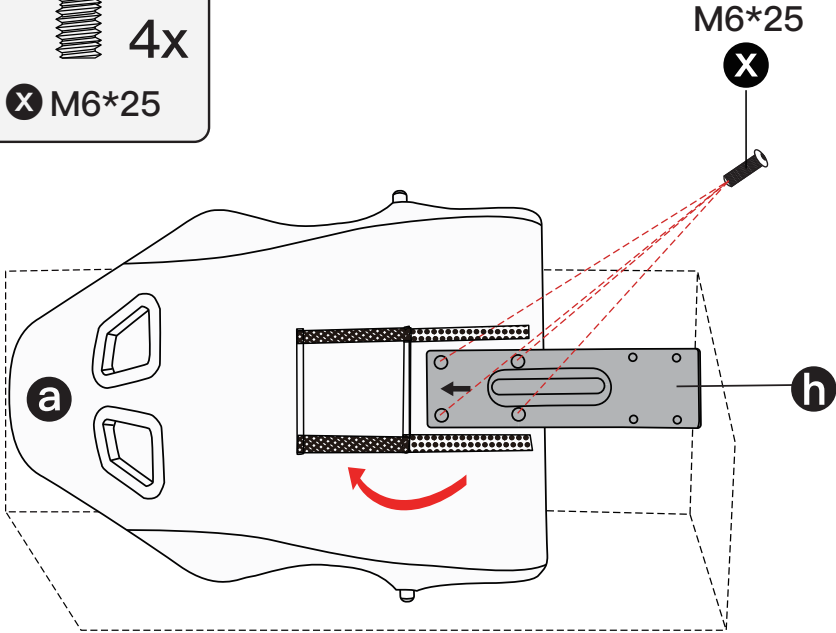
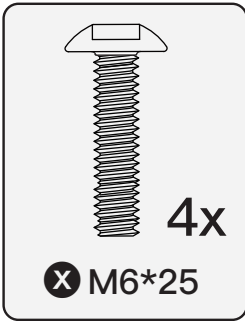
⚠ Note:

If the footrest does not pull smoothly, shake the footrest rods to fine-tune the position of the footrest rails until the footrest rods pull smoothly, remove the footrest, and tighten all the screws of the footrest rails completely.

- 5** Place the seat on the gas lift and then fix the footrest with the screw **S**.

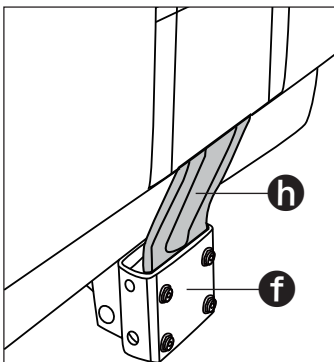
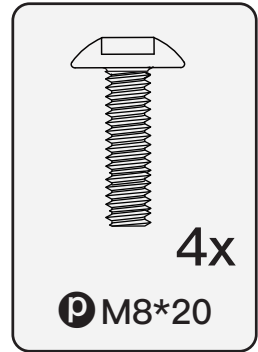
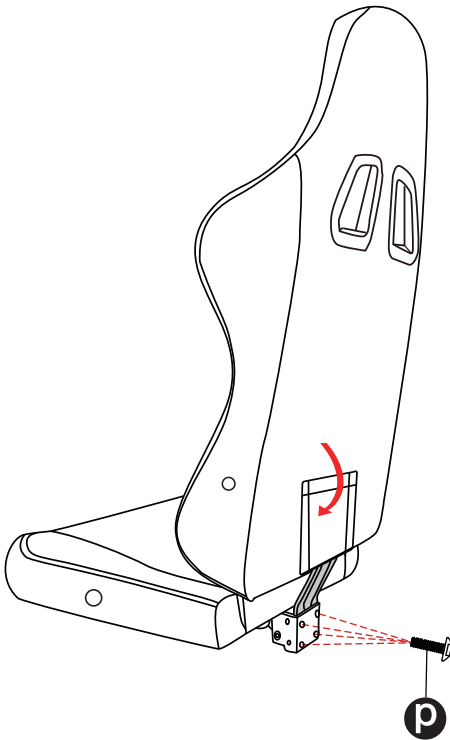


6 Install the connector on the chair back.

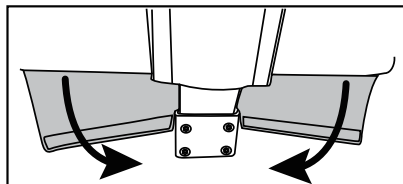


* Note that the direction of the connector.

7 Instal the connector into the rear end of mechanism.

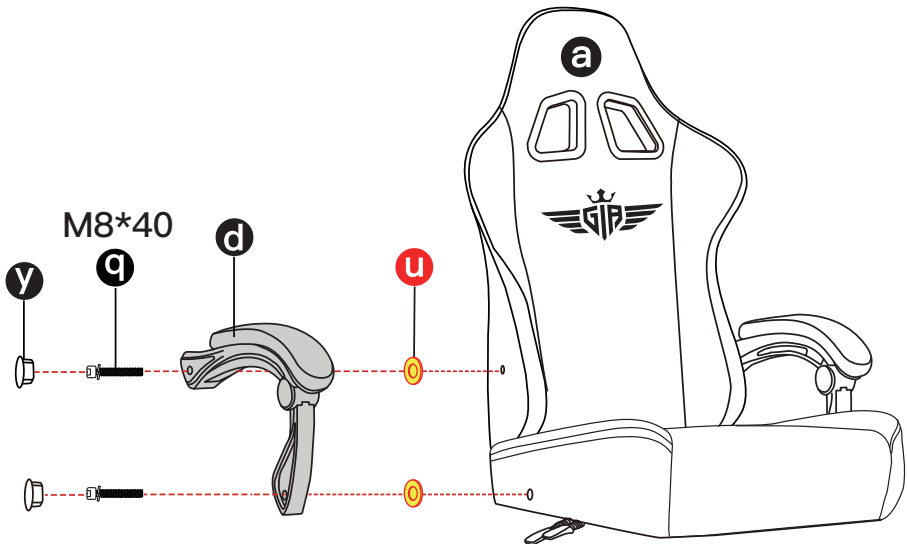
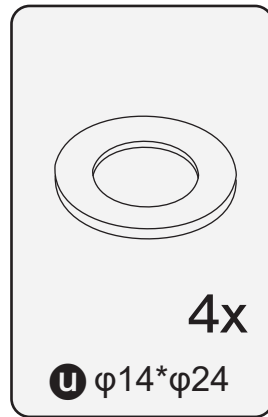
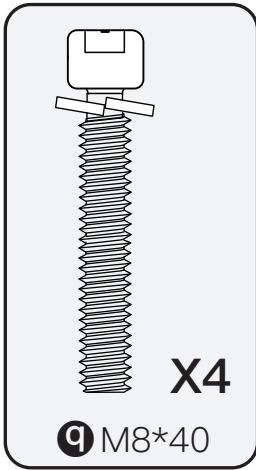


Note: Connector **h** INTO mechanism **f**.



Stick the Velcro of the backrest to the seat bottom.

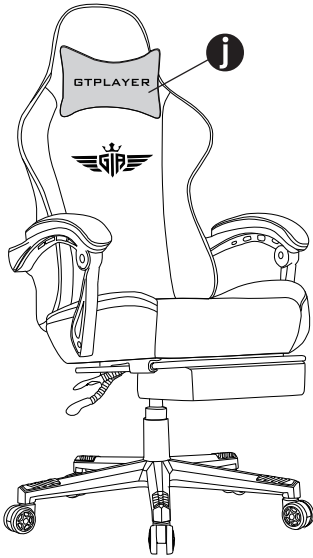
8 Align the screw holes and install the armrests.



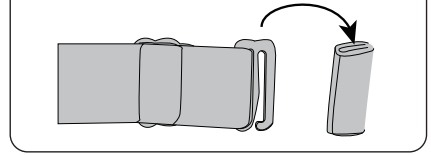
! Attention

DO NOT tighten the screws completely until they are all fixed in the correct position. Put **u** between the armrest and chair body.

9 Install the headrest.



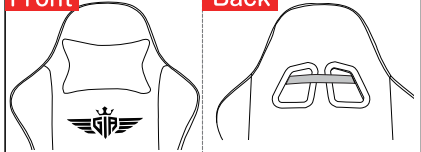
* Length-adjustable belt



Method 1

Front

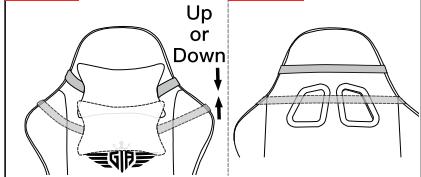
Back



Method 2

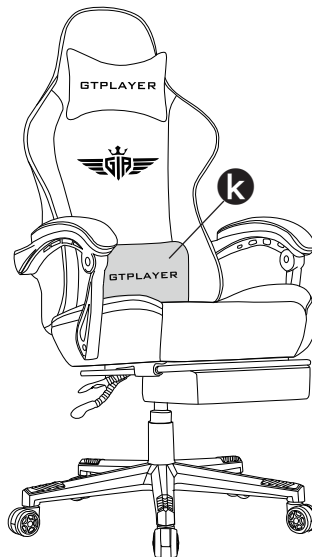
Front

Back

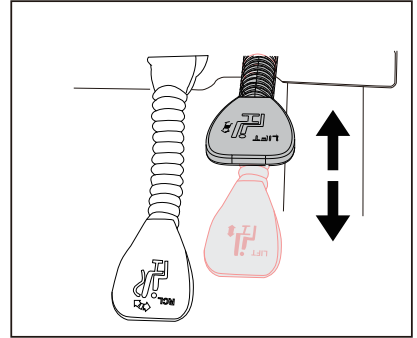


The belt can be adjusted up or down.

10 Put on the lumbar pillow. Complete.

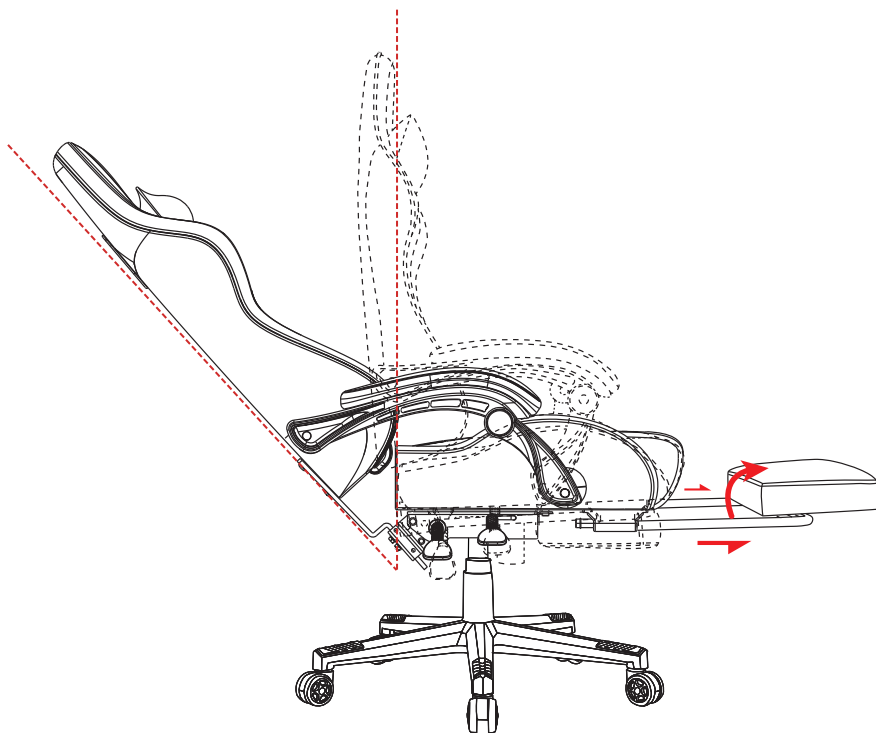
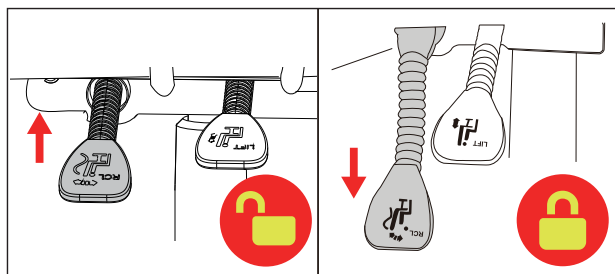


A Height Adjustment



Lift up the “LIFT” lever to adjust the height of chair, and release the ”LIFT” lever at a desired height. Lift body slightly off the seat when adjusting the height.

B Back Recline Function



Lift up on the “RCL” lever and the back angle tilts independently with user’s motion. Push down on “RCL” lever and the back angle is locked in position. Rest on the back when resetting back to its normal position, otherwise the back may rebound rapidly.

Frequently Asked Questions:

Q: Why do the armrests loosen after a period of use?

A: In most cases, the screws of the armrests and back become loose after a period of use, and re-tightening the screws can fix the problem.

SAFETY INFORMATION

- Use this chair for seating only one person at a time.
- ☒ DO NOT stand on the chair.
- ☒ DO NOT use the chair unless all screws are firmly secured.
- ☒ Avoid contact with sharp objects to prevent puncturing the fabric.
- ☒ Every 6 months, check all screws to ensure they are all tight.
- ☒ To clean, spot clean only needs a damp towel and mild cleaner, first test on a small obscure area of fabric.
- ☒ DO NOT use the chair as a stepladder.

04 SAFETY & MAINTENANCE

Please read the safety introduction carefully.



Sit in the center of the chair, with your back to the backrest



DO NOT sit at the front edge of the chair



DO NOT stand on the chair



DO NOT push the chair around when a person is sitting in it



DO NOT push down on the backrest when a person is reclined



DO NOT place all your weight on the backrest only



DO NOT use the chair with more than one person

Dear Customer,

Thank you for choosing us.

Has been implementing its brand and design concept “BE COOL BE FREE”, GTPLAYER is dedicated to enriching gaming and shopping experience for customers.

For safe use, please read this manual before installation, and keep it for after use. Please feel free to email us if you have any concerns about our products. We'll reply within 24 hours.

The following are the things you need to pay attention to so that we can provide you with services when you encounter problems during the installation and use of the product:

- When the product is damaged due to courier problems, please contact our customer service in time for verification.
- We will rectify the issue as soon as possible;
- We give a 1-year quality assurance.

We offer product explanations, installation instructions, product maintenance and maintenance methods.

If you feel satisfied with our product and service,

- Please set our store as your favorites;
- Please recommend our products to your friends;
- Please leave us your purchase experience in our store or product page.

Feedback or reviews from you will greatly help us offer better services to players around the world.

Best regards!

*** ATTENTION! During installation, DO NOT tighten all the screws completely until all the screws are fixed in the correct position.**

E-mail: us@gtplayer.com

Web: www.gtplayer.com



If you have any inquiries regarding the item, please reach out to us using the contact information provided on the left. We strive to resolve your concerns within 24 hours (excluding weekends and holidays).