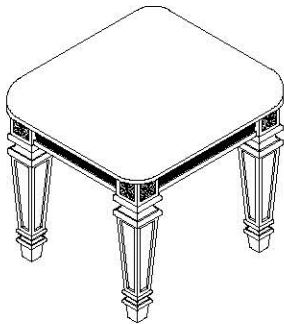


ASSEMBLY INSTRUCTION

Thank you for purchasing this product. Please take time to read and follow the instructions below. Check that you have all parts and hardware before assembly. Parts apparently missing are often found in the packing materials. If you do not have all the parts listed, have your dealer contact us and they will be sent to you immediately.



It is recommended to install protective pads under all legs and supports to avoid damage or scratches when placing furniture on a wood floor or other hard surface, and to limit indentation and prevent discoloration if placing on carpet.

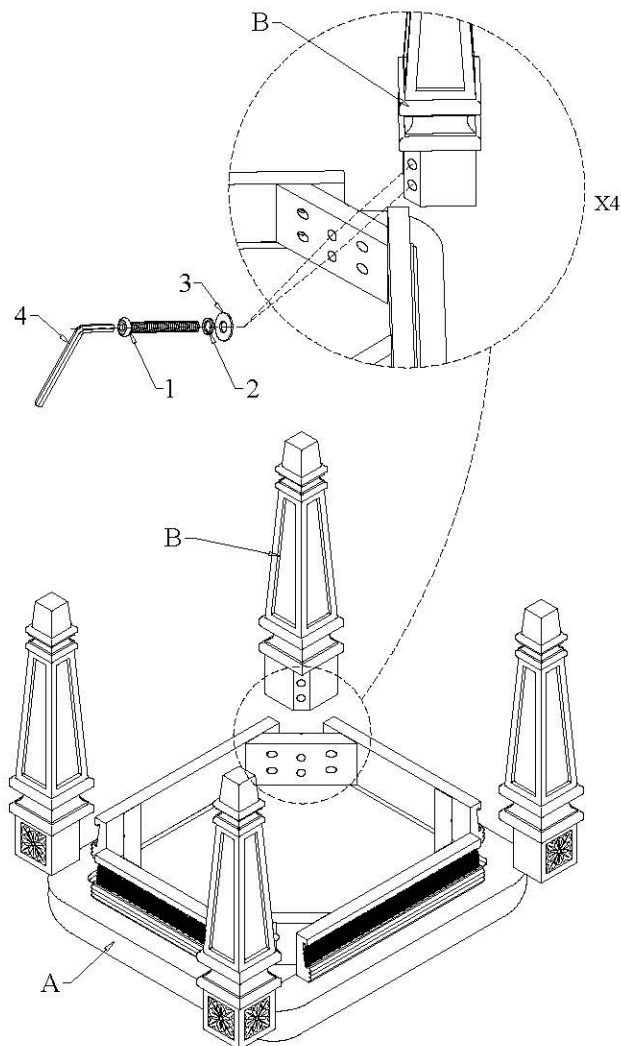
PART LIST

No	Sketch	Description	Quantity
A		Cushion Seat With Frame	1 PC
B		Stool Legs	4 PCS

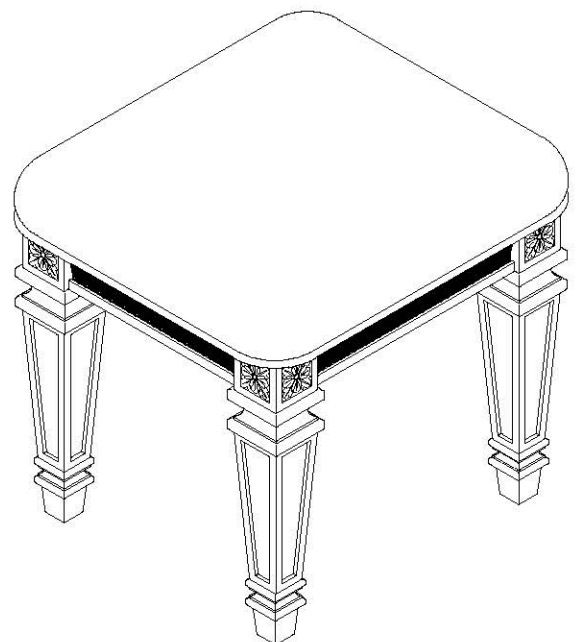
HARDWARE LIST

No	Description	Size	Sketch	Quantity
1	Bolt	Ø5/16" * 2-1/4"		8 PCS
2	Lock Washer	Ø5/6" * 1/2"		8 PCS
3	Flat Washer	Ø5/6" * 3/4"		8 PCS
4	Allen Key	2-1/4" * 5/32"		1 PC

STEP 1



STEP 2



COMPLETED