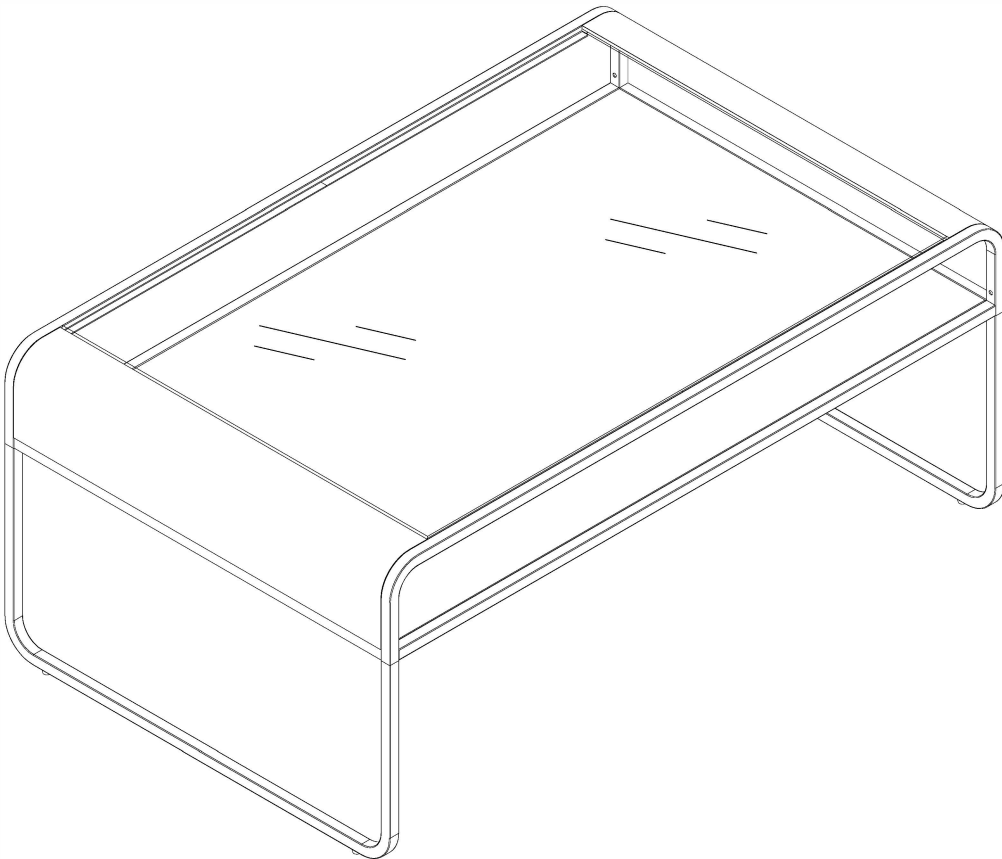


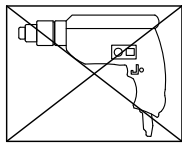
Assembly Instructions



Please visit our website for the most current instructions, assembly tips, report damage, or request parts.

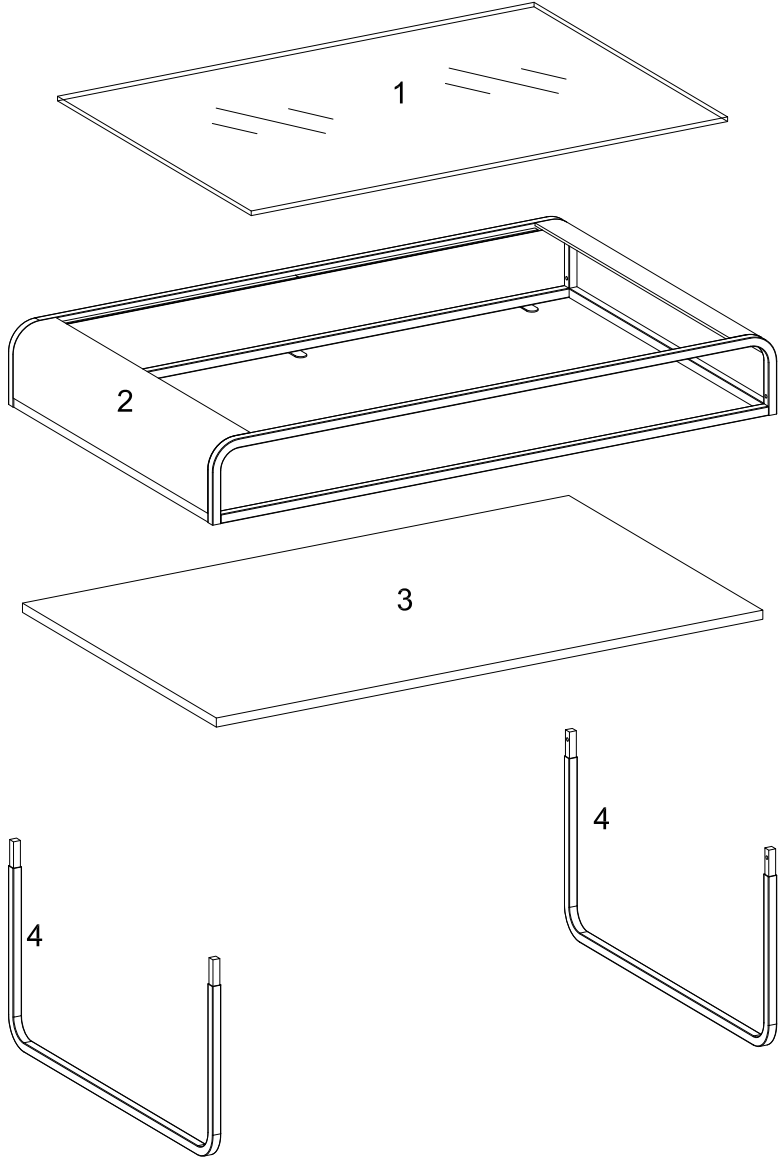
General Assembly Guidelines

- I. Ensure that all parts and hardware are available before beginning assembly.
- II. Follow each step carefully to ensure the proper assembly of this product.
- III. Two people are recommended for ease in the assembly of this product.
- IV. The main type of hardware used to assemble this product are: bolts and screws.
- V. Power tools should not be used to assemble this product.



- VI. Drill may be needed for securing product to wall.

Parts List

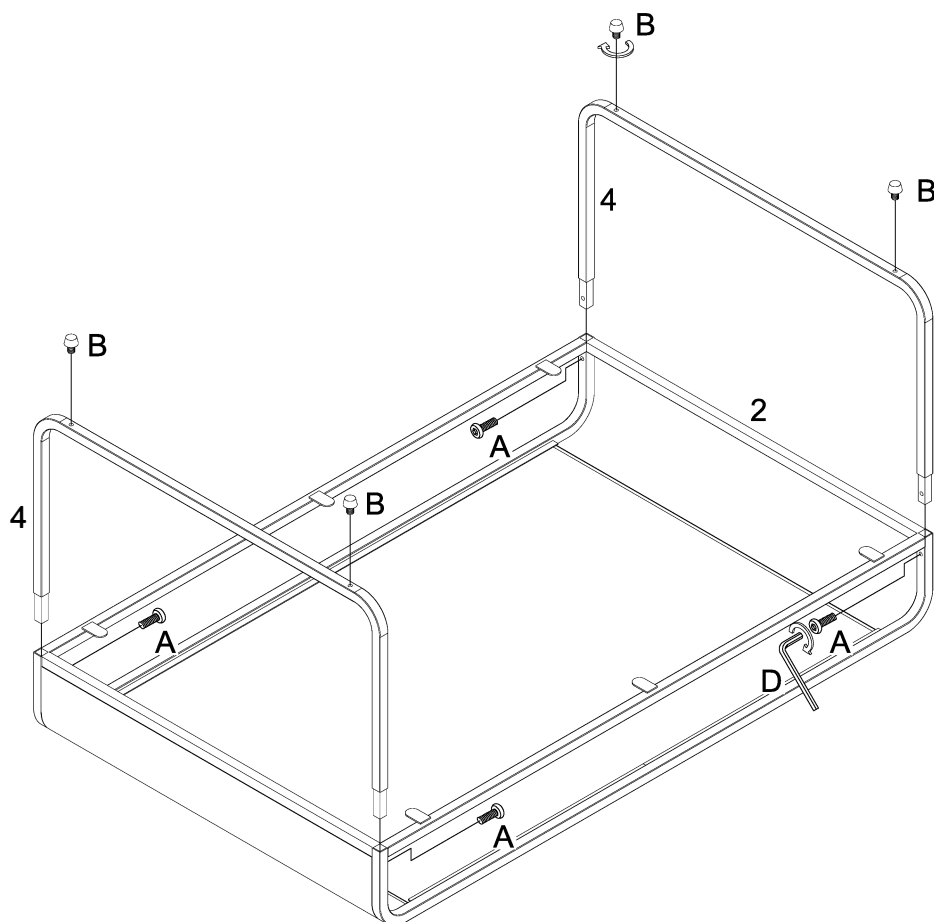


Hardware List

A		Ø1/4"*12mm	Bolt	4 pcs
B		Ø1/4"*12mm	Adjustable foot	4 pcs
C		30x10mm	Glass pads	6 pcs
D		4mm	Hex Key	1 pc

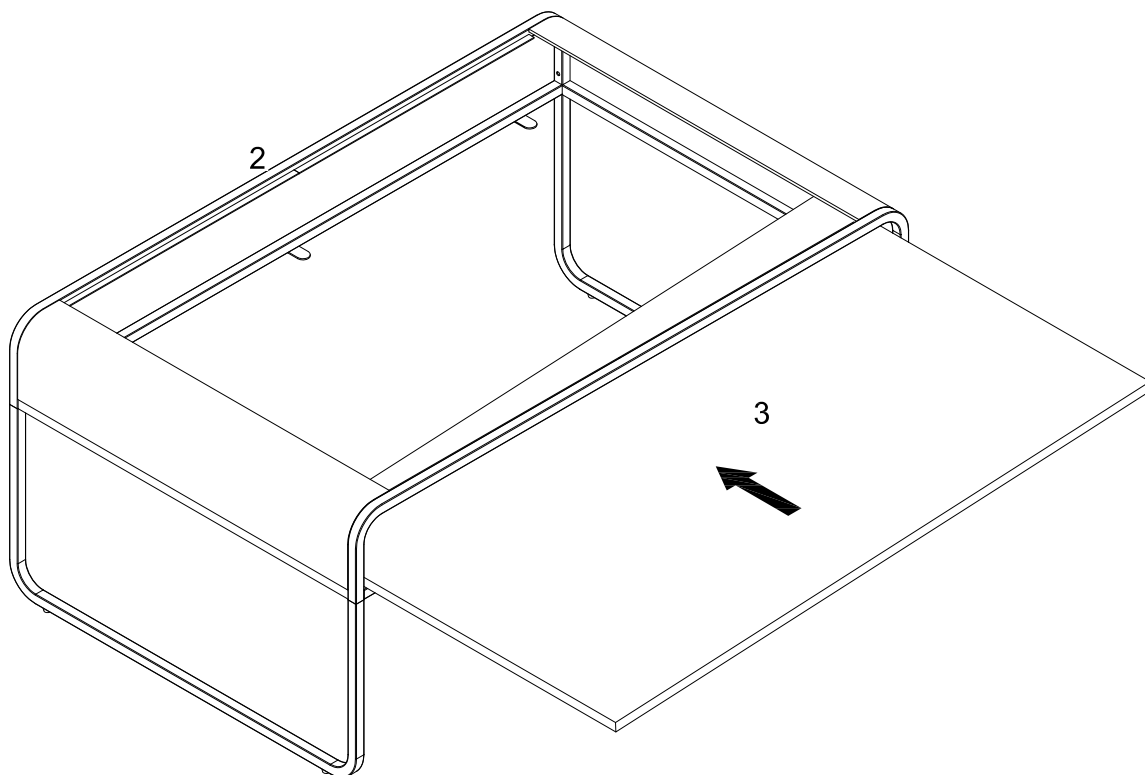
*The hardware quantities listed above are required for proper assembly.
Some extra hardware may also have been included.*

Step 1



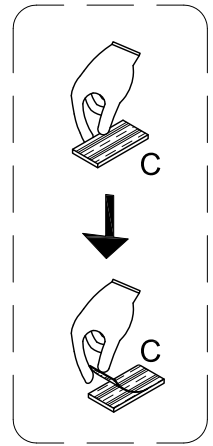
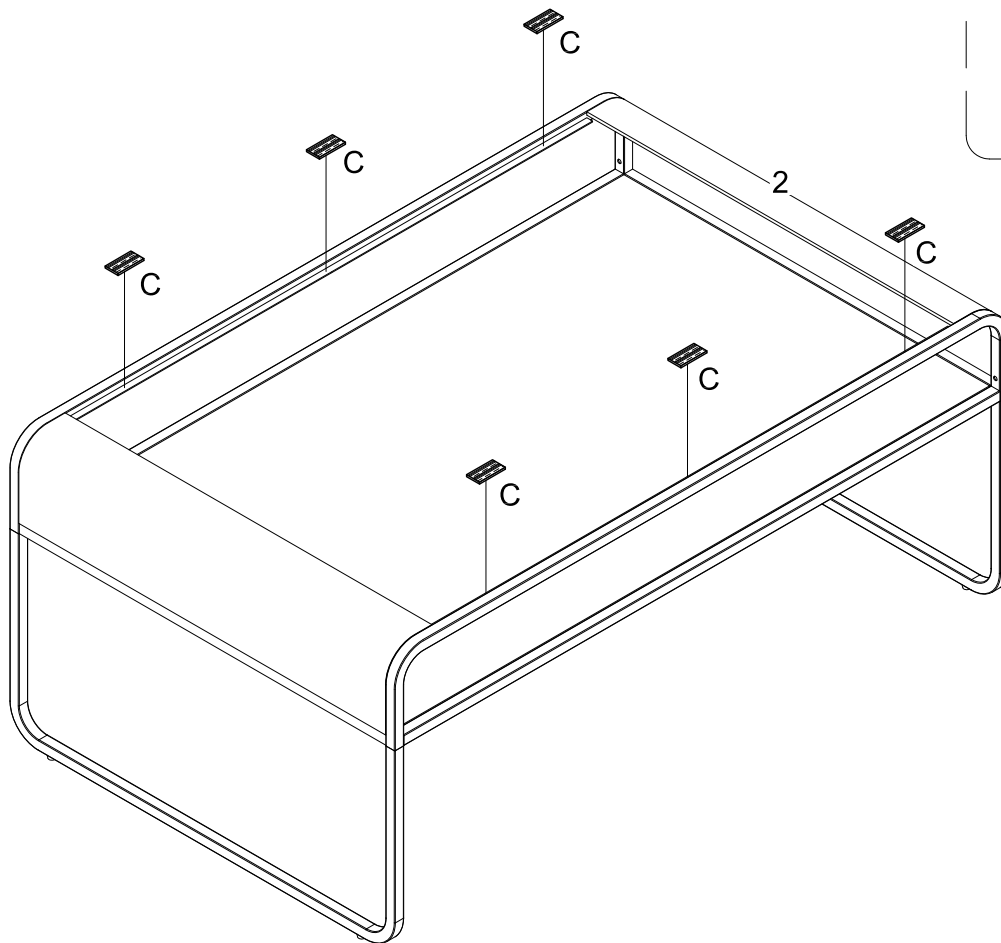
Attach part (4) onto part (2), using bolt (A) onto part (2) to secure with hex key (D), using adjustable foot (B) onto part (4) as per diagram

Step 2



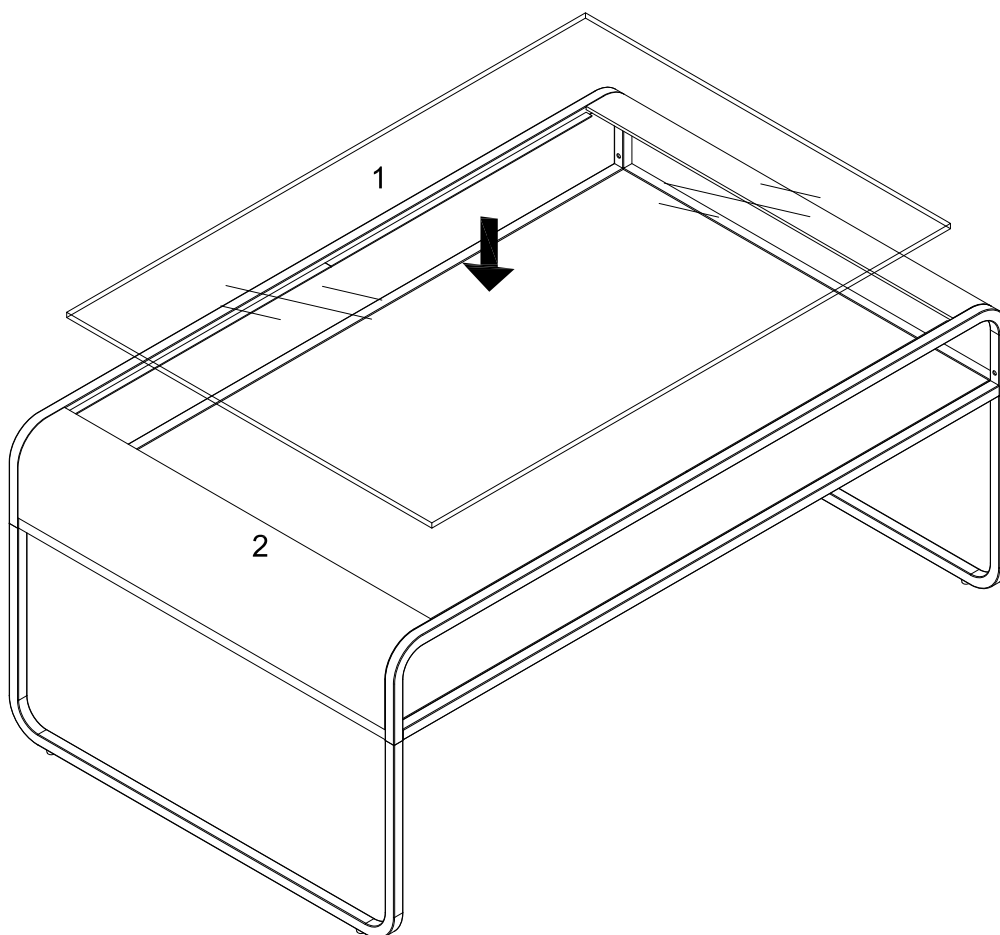
Put part (3) onto part (2) as per diagram

Step 3



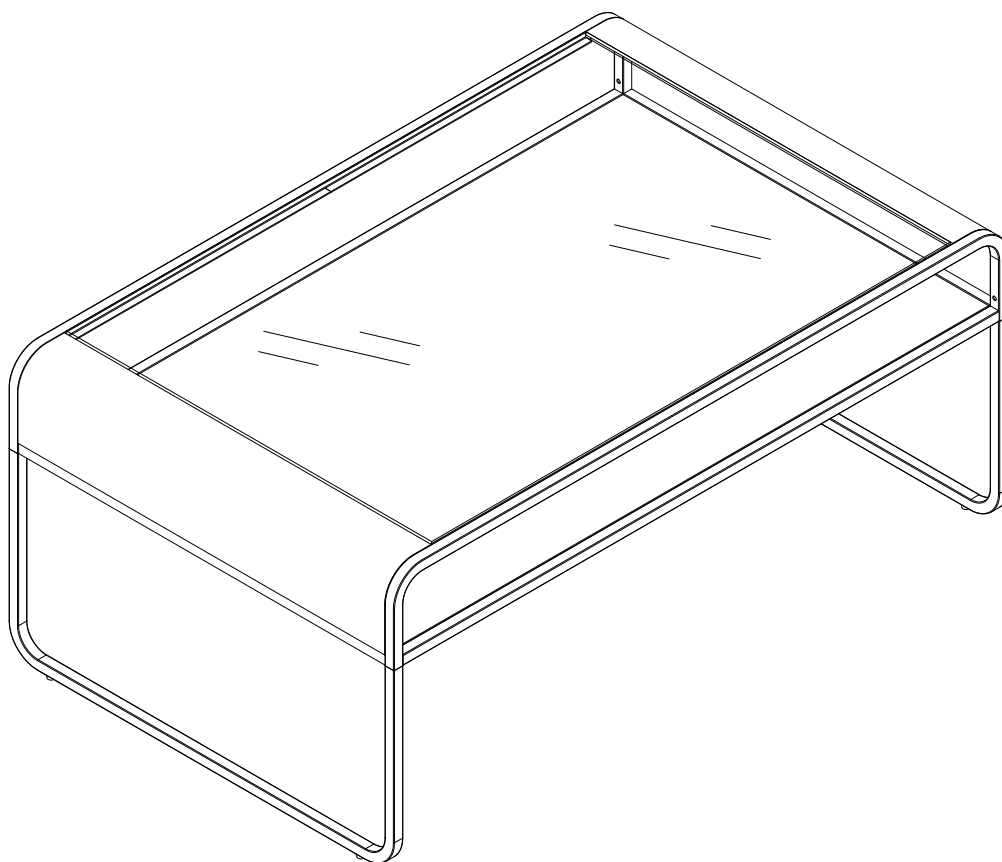
Remove corner tape on glass pads (C), then stick them as diagram.

Step 4



Place glass (1) on part (2) per diagram carefully

Step 5



Final Assembly