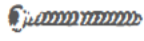


SMALL CHEST

Assembly Instruction

A. Components :

1. Small Chest 1 x



a



b



d



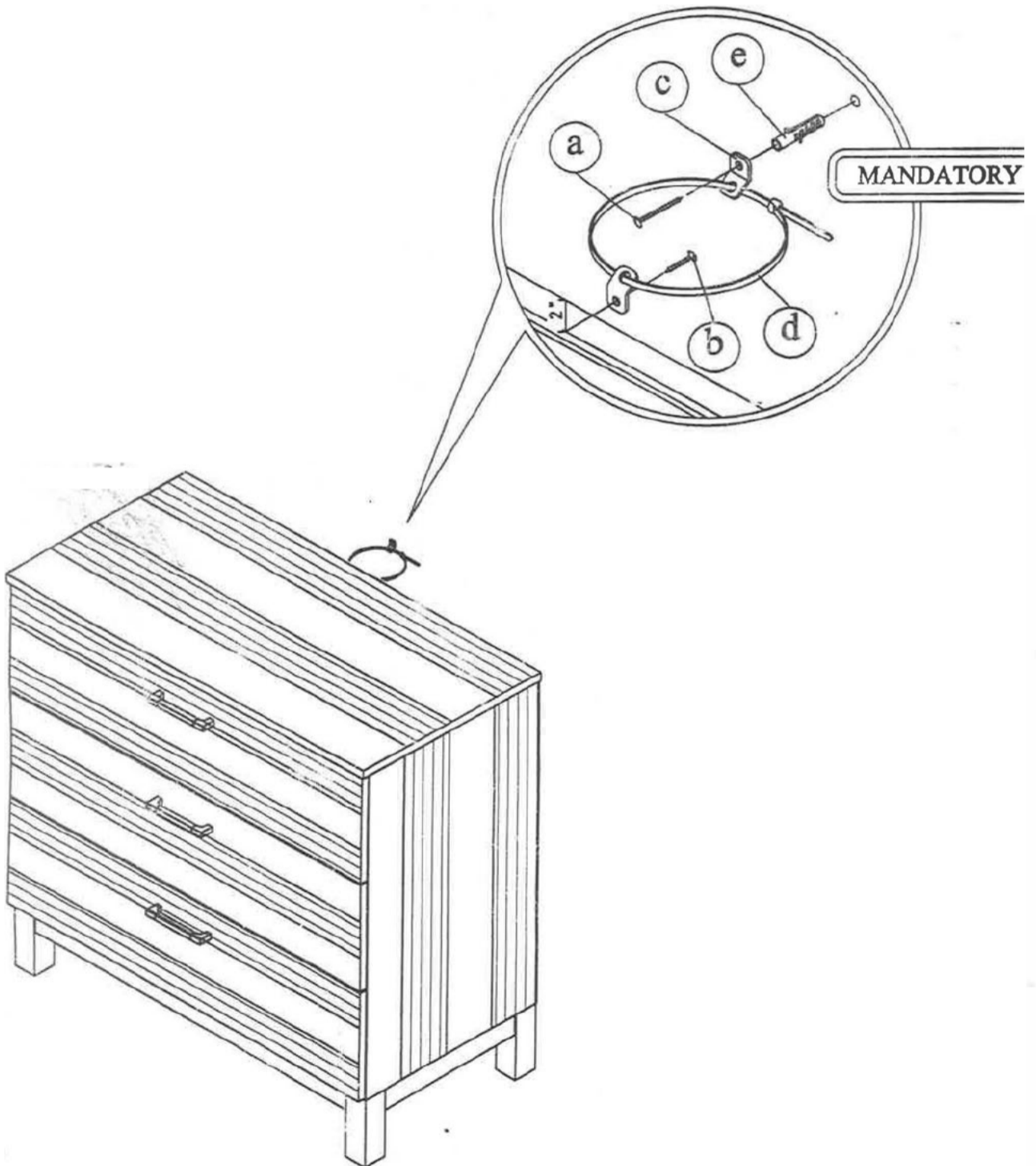
e

B. Hardware :

- | | |
|--------------------|-----|
| a. Long Screw | 1 x |
| b. Short Screw | 1 x |
| c. Metal Anchor | 1 x |
| d. Restraint Strap | 1 x |
| e. Fischer | 1 x |

C. Tool Required :

1. Screw Driver = (not included)

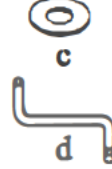
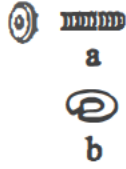


SMALL CHEST

Assembly Instruction

A. Components

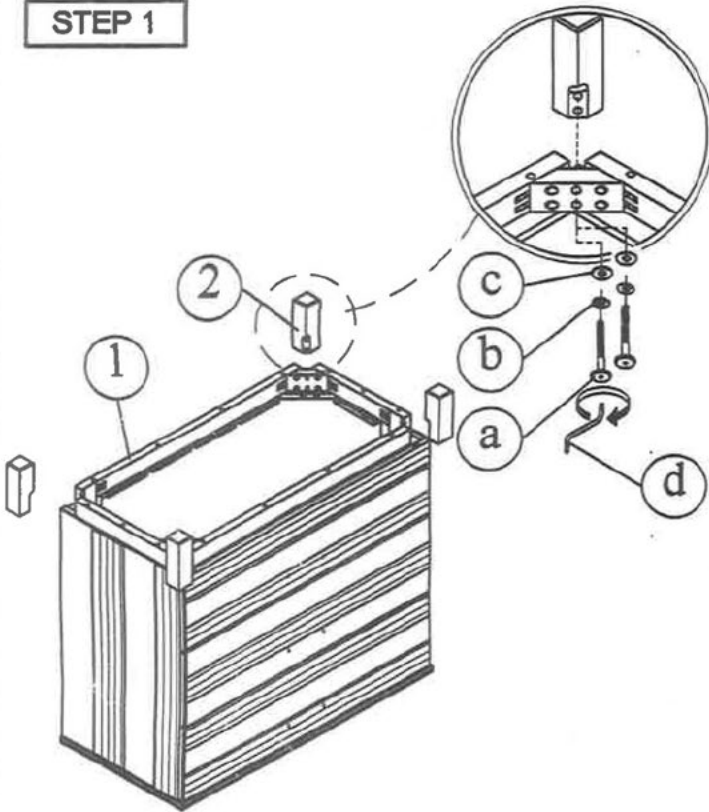
- 1. Small Chest 1 x
- 2. Legs 4 x



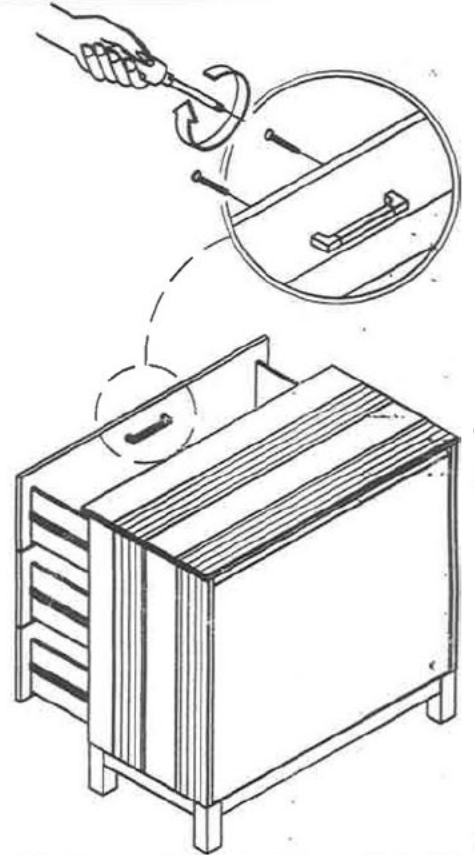
B. Hardware :

- a. Allen Bolt - 8 x
- b. Lock Washer 8 x
- c. Flat Washer 8 x
- d. Allen Key 1 x

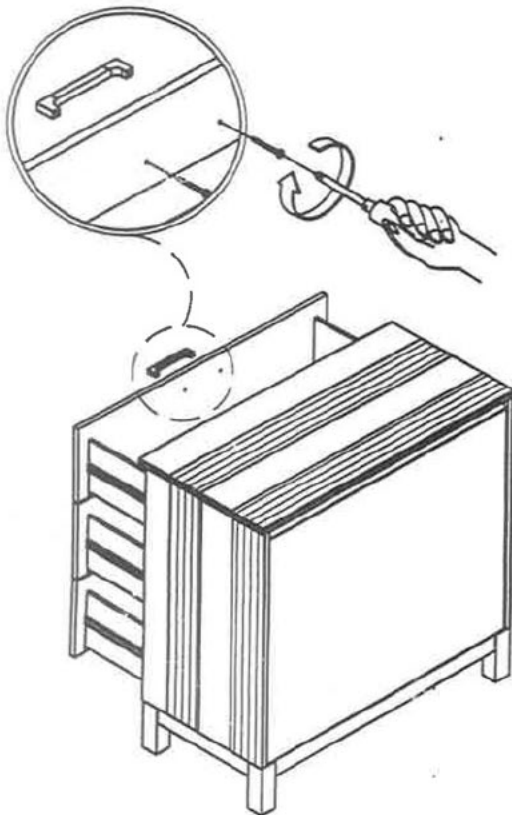
STEP 1



STEP 2



STEP 3



STEP 4

