

Assembly Instruction

HDPE Bar Arm Chair Set of 3

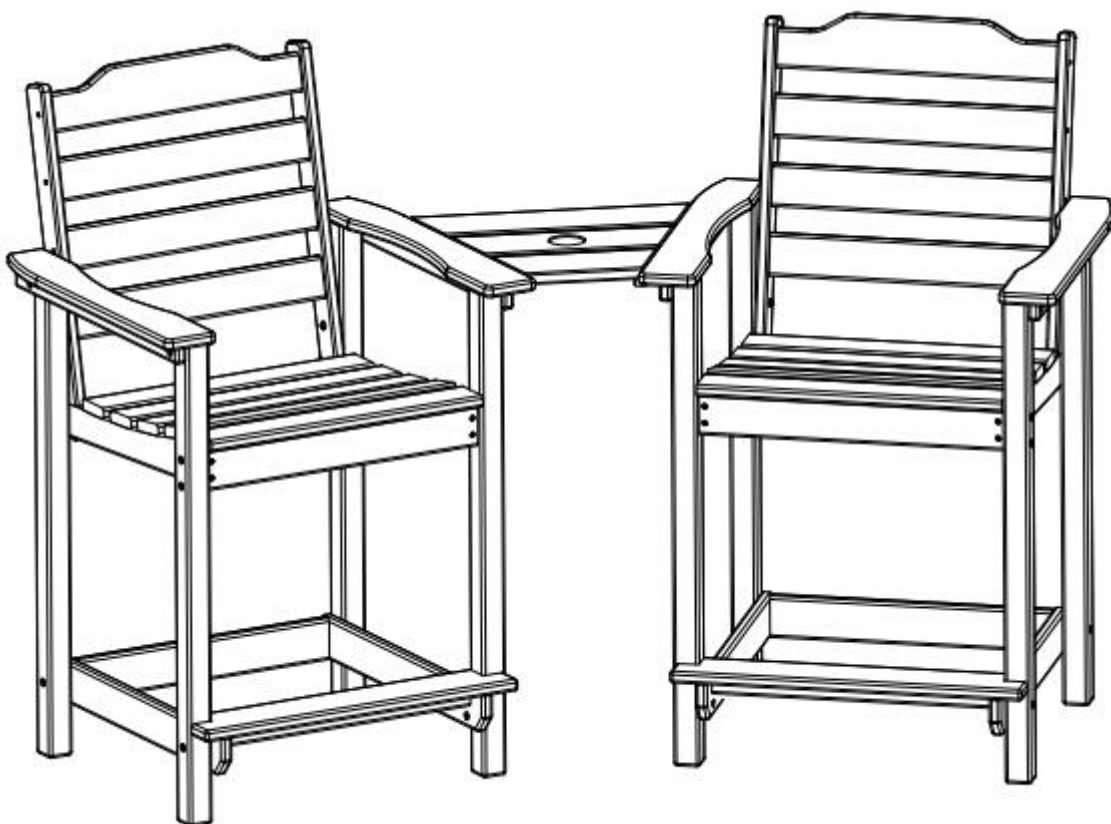
Your furniture requires assembly prior to use. It is important that you read the entire assembly instructions to become familiar with the unit before you set up this product.

Safety Warning and Precautions

WARNING: When setting up your furniture, basic precautions should always be followed to reduce risk of personal injury and damage to the product.

Read all instructions before assembly and usage this product.

1. Select ideal location. Set out all parts on a clear and level surface prior to assembly. Ideally, the furniture should be set up in the desired location to avoid moving it after assembly.
2. Use caution. During all the processes of assembling, especially when lifting heavy or large parts, pay attention to safety.
3. Tools and Assistance. An adjustable spanner is required for assembly. It is recommended 2 people assist with assembly.
4. Check all parts before assembling, ensure you have all parts detailed in the parts list on Page 2.
5. Refer to assembly diagram. During assembly, refer to the assembly instructions on following pages.
6. Caution. Keep children away from work area during assembly. Do not allow children to handle parts or tools while assembling.








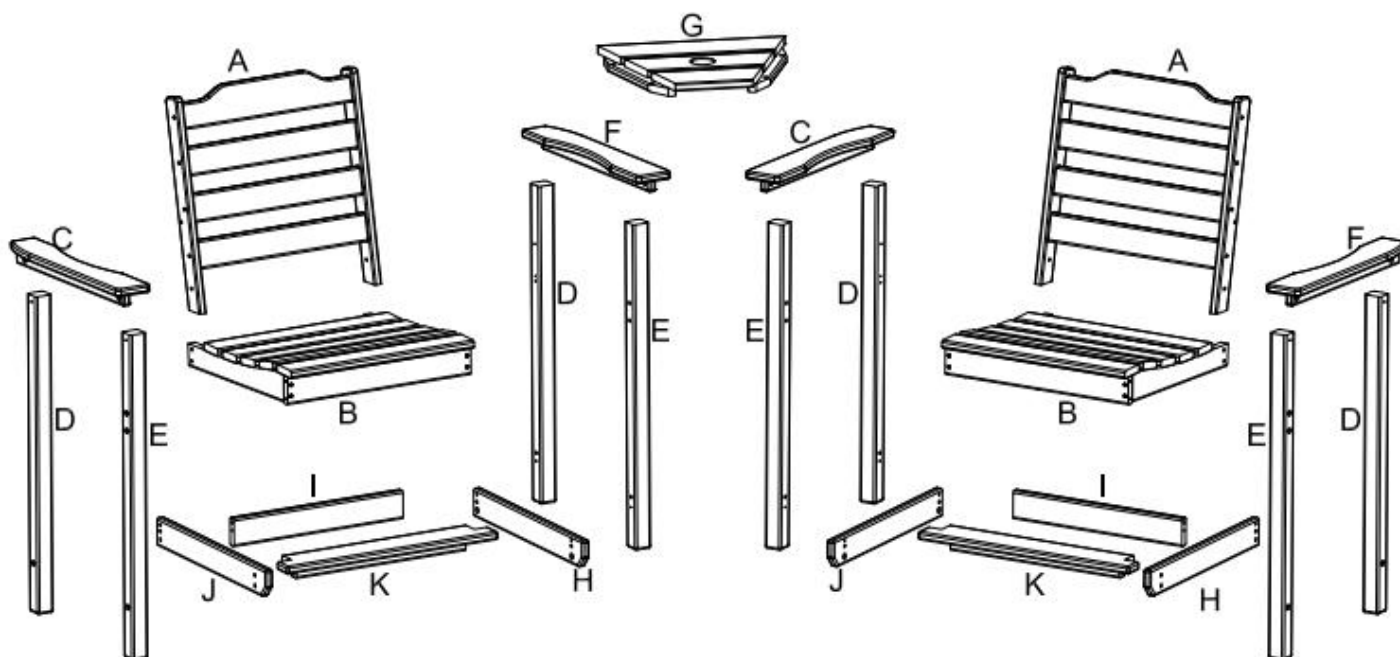
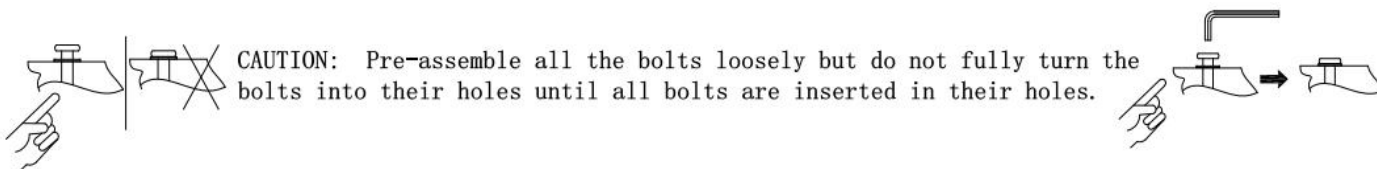
Assembly Instruction

HDPE Bar Arm Chair Set of 3

FITTINGS IDENTIFICATION

Part #	M685	M665	M649	M630	Y
Description:	Screw H6*85	H6*65	H6*49	H6*30	Allen Wrench

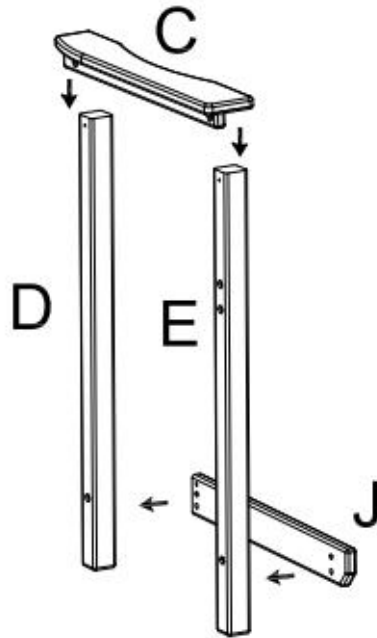
M685	M665	M649	M630	Y
				
H6*85	H6*65	H6*49	H6*30	
8PCS	8PCS	32PCS	4PCS	1PCS



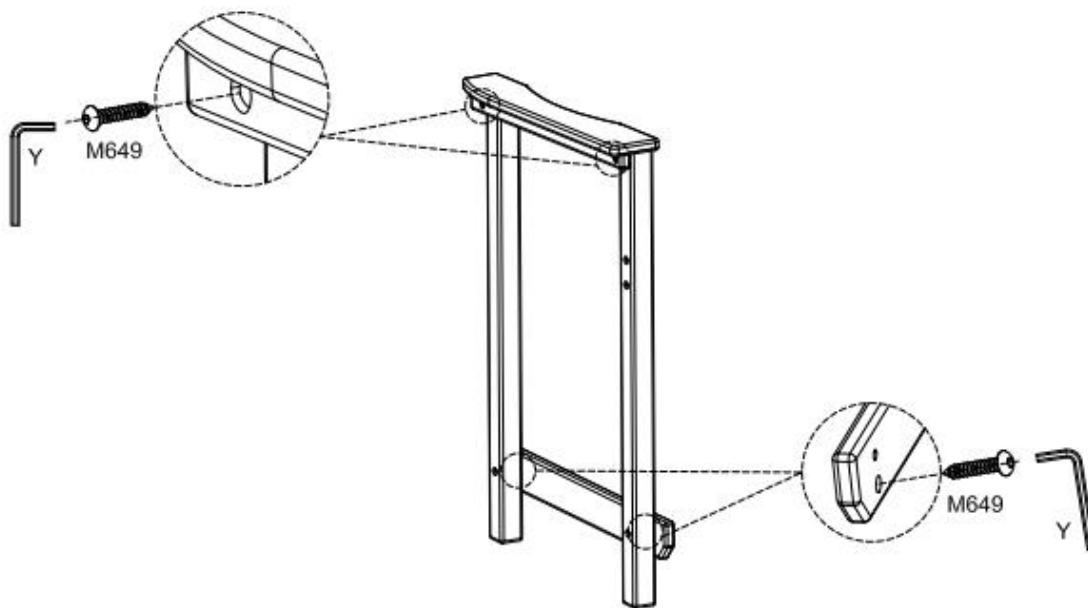
Assembly Instruction

HDPE Bar Arm Chair Set of 3

STEP1

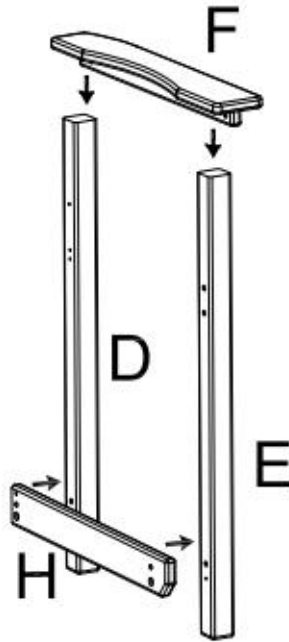


STEP2

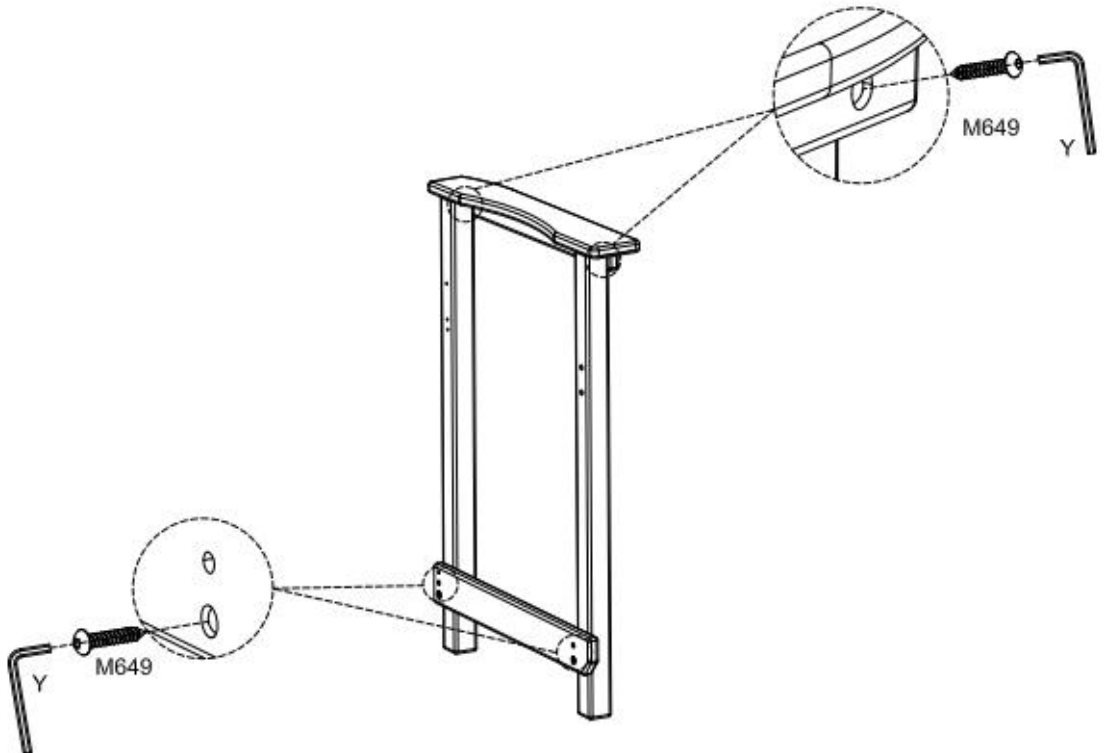


Assembly Instruction

STEP3

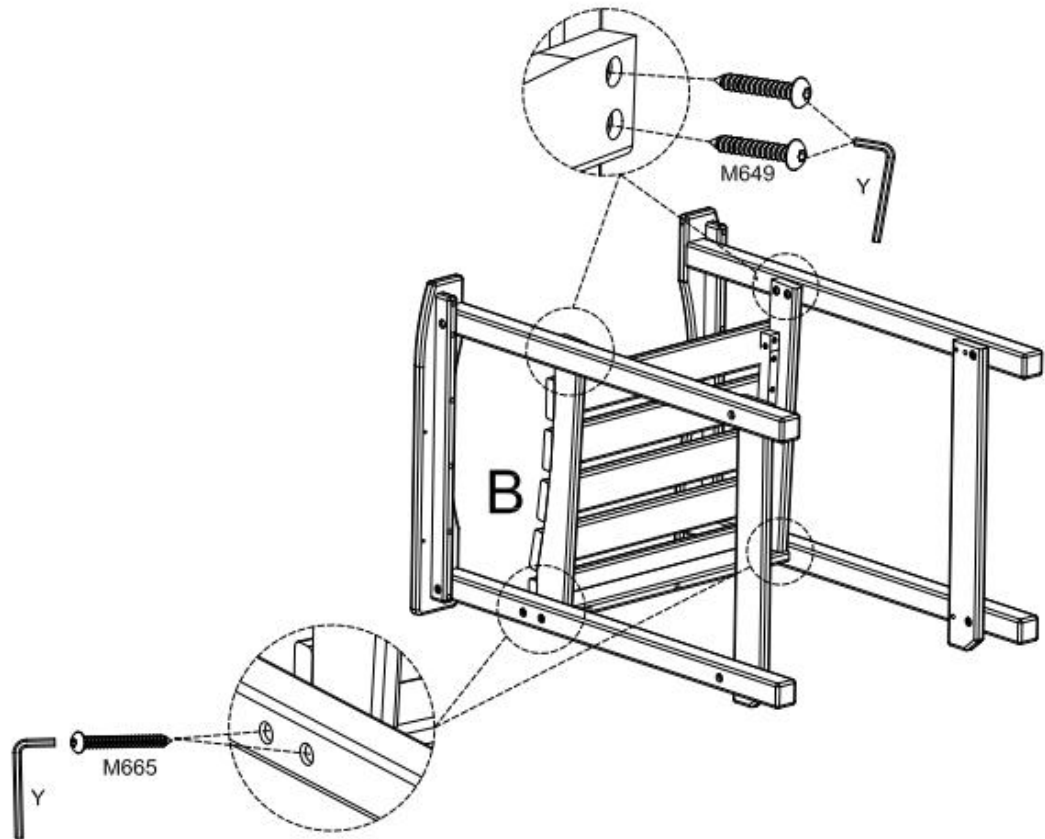


STEP4

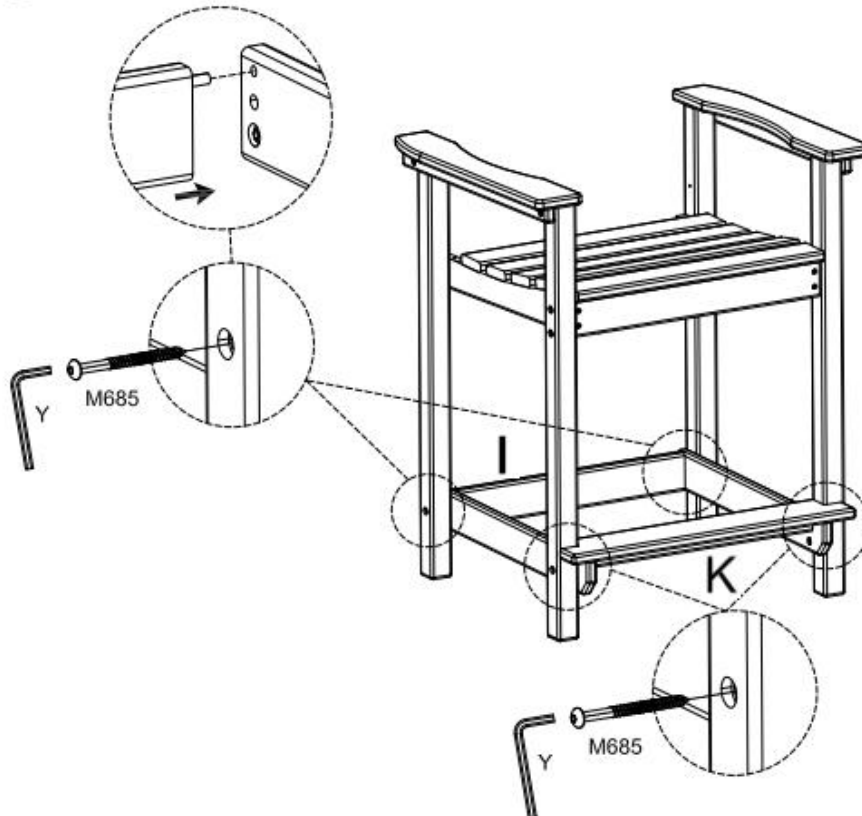


Assembly Instruction

STEP5

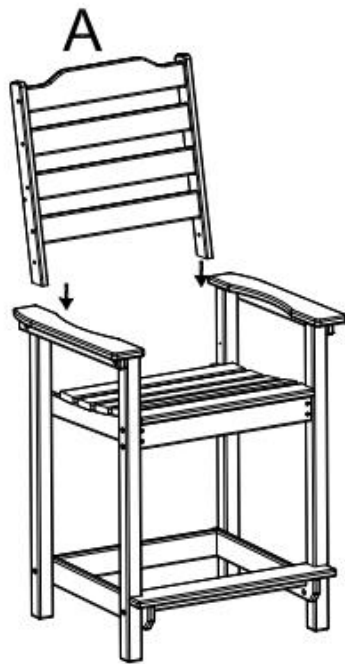


STEP6

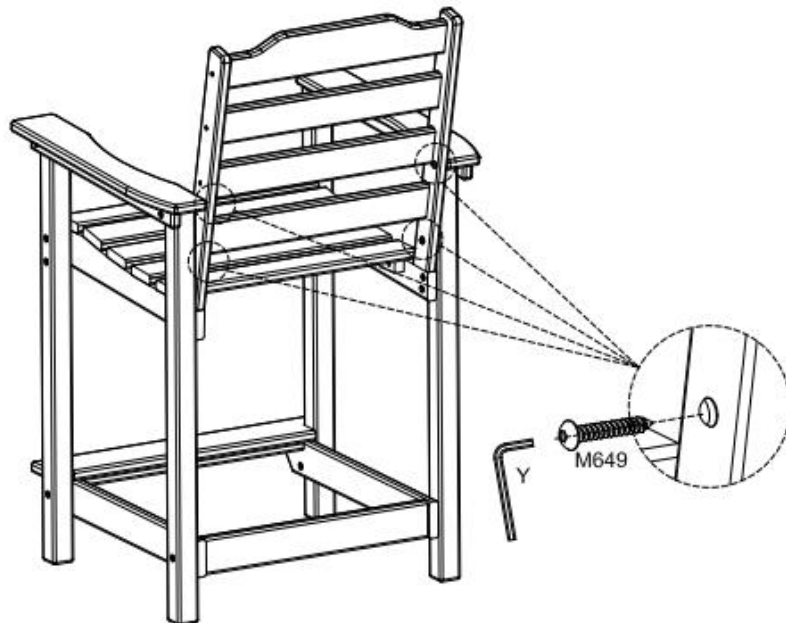


Assembly Instruction

STEP 7

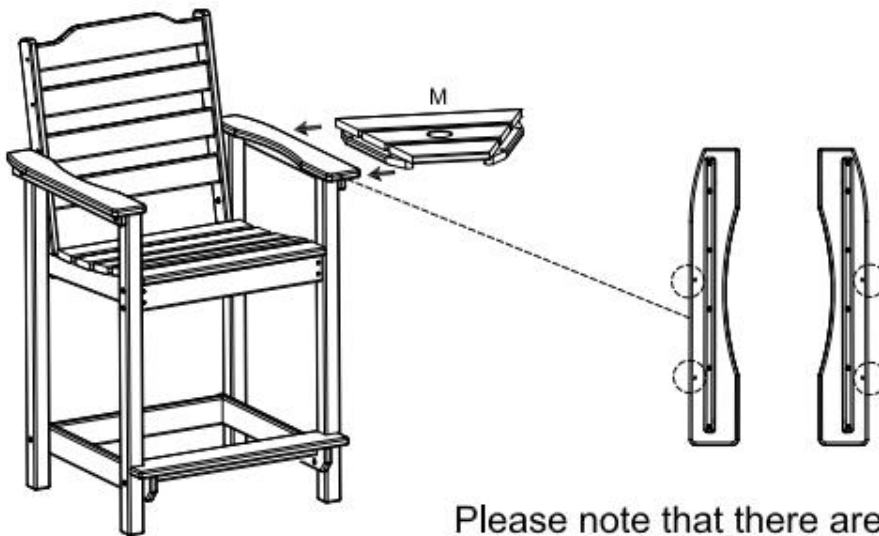


STEP 8



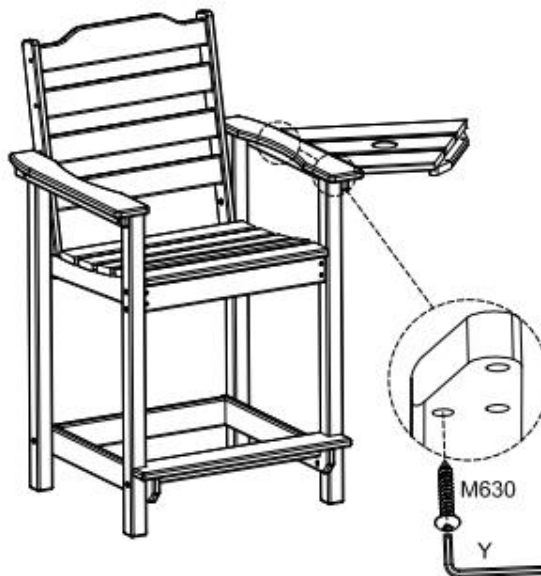
Assembly Instruction

STEP9



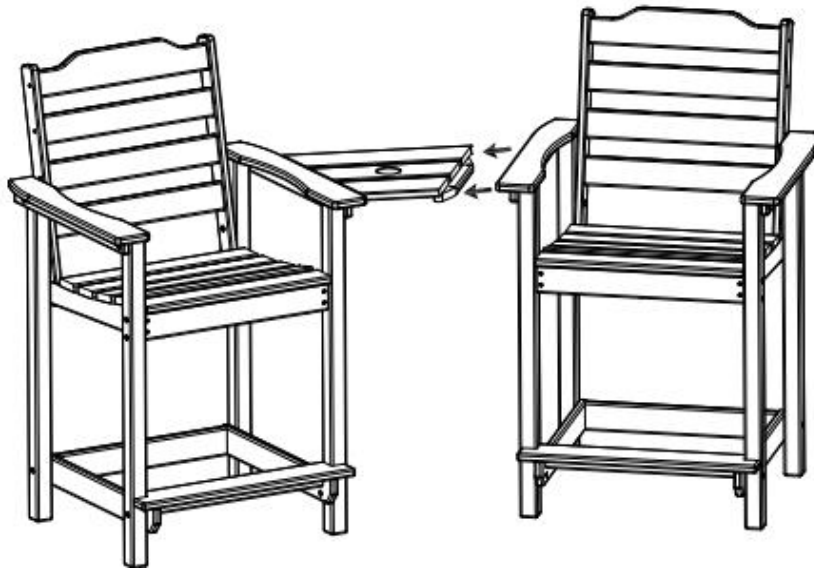
Please note that there are already two screw holes here and don't need to drill any more screw holes by yourself.

STEP10

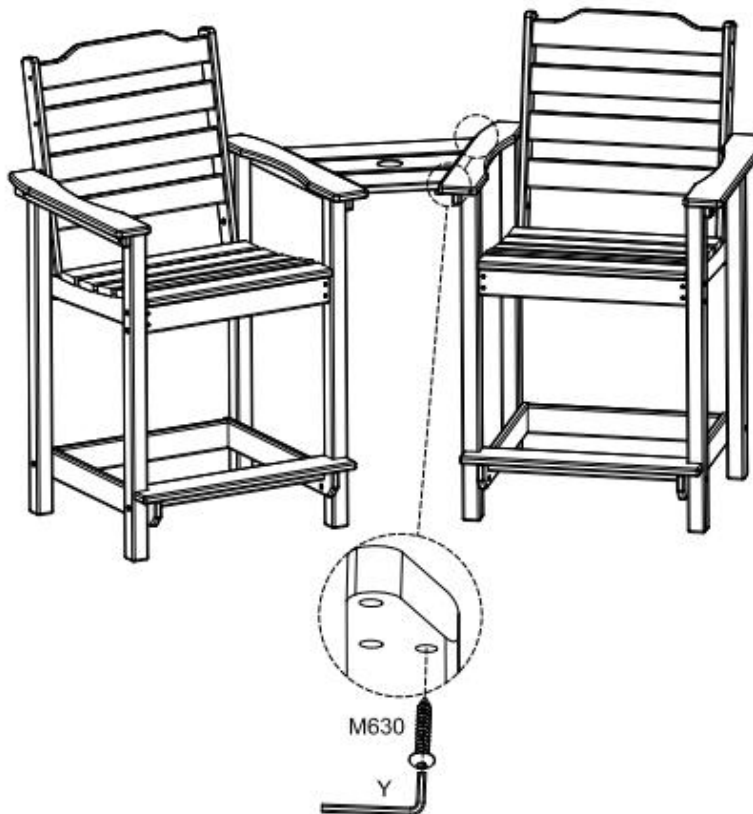


Assembly Instruction

STEP 11



STEP 12



Assembly Instruction

Steps:

1. Attach the Part C to the Part D&E with Screw H6*49 (Part M649) by using the Allen Wrench (Part Y).
2. Attach the Part J to the Part D&E with Screw H6*49 (Part M649) by using the Allen Wrench (Part Y).
3. Attach the Part F to the Part D&E with Screw H6*49 (Part M649) by using the Allen Wrench (Part Y).
4. Attach the Part H to the Part D&E with Screw H6*49 (Part M649) by using the Allen Wrench (Part Y).
5. Attach the Part B to the assembled left and right armrests. Please note that two types of screws are used in this step, kindly see the STEP 5 in the above picture.
6. Attach Part I&K to the assembled left and right armrests with Screw H6*85 (Part M685) by using the Allen Wrench (Part Y).
7. Attach the Part A to the assembled left and right armrests with Screw H6*49 (Part M649) by using the Allen Wrench (Part Y).
8. Attach the Part G to the one of the assembled bar stools with Screw H6*30 (Part M630) by using the Allen Wrench (Part Y). Follow the same steps to attach Part G to the other bar stool.
9. Tighten all screws. Your Bar Arm Chair Set is ready to use. (Note: Pre-assemble all the bolts loosely but do not fully turn the bolts into their holes until all bolts are inserted in their holes.)
10. Periodically check and make sure that all screws are fully tightened.