



ARMCHAIR

SAFETY & WARNINGS

Warning

- Do not put HOT items directly on furniture surface.
- Do not clean furniture with HARSH cleansers or polish.
- Do not place furniture under DIRECT sunlight.
- Do not place furniture near heating or cooling vents.
- Do not write on furniture without a padded barrier to protect the surface.
- For indoor use only. Do not place furniture outside.
- Stains may be removed with mild soap solution and damp cloth.
- Dust and pick-up spills using a clean, non-colored, lint-free cloth.

Safety Information

- Identify all the parts and hardware.
- Do not discard of the packaging until you have checked that you have all of the parts and hardware required.
- Hardware package may have spare parts.
- Attention! This item contains small parts which can be swallowed by children and pets.
- Keep children and pets away during assembly.
- To avoid danger of suffocation, always keep plastic bags away from children and pets.
- We recommend that you assemble this unit on a carpeted floor to avoid scratches.
- We do not recommend the use of power tools for assembly as this could damage the unit. Only use manual tools.

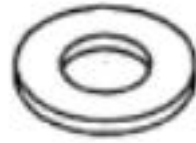
COMPONENTS



A: Nut (x4)



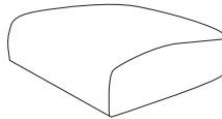
B: Screw (x10)
8 x 60mm



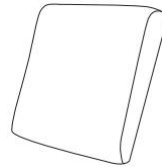
C: Small Washer (x2)



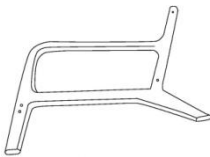
D: Wrench (x1)



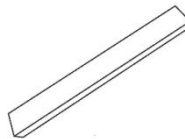
1: Seat (x1)



2: Seat Back (x1)



3: Leg (x2)

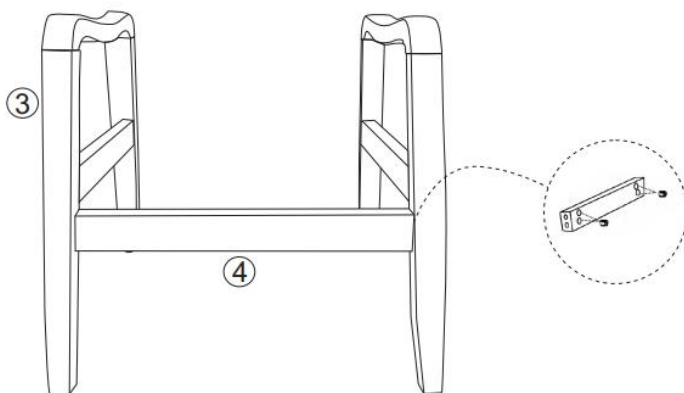


4: Front Bar (x1)

INSTALLATION

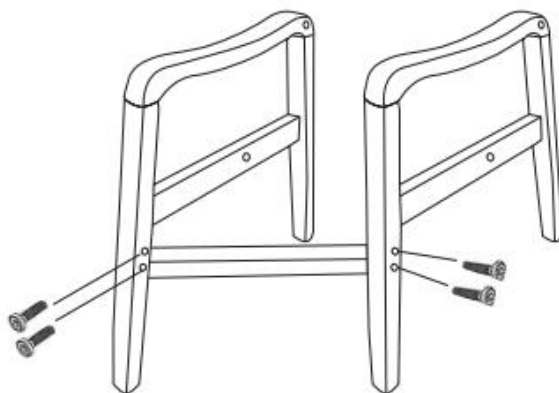
Step 1

Attach 2 legs (③) together with the front bar (④). Insert the nuts (A) into the bolts on back of the front bar.



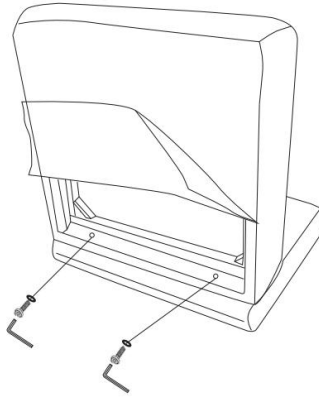
Step 2

Insert screws (B) into the bolts at both ends of the front bar.



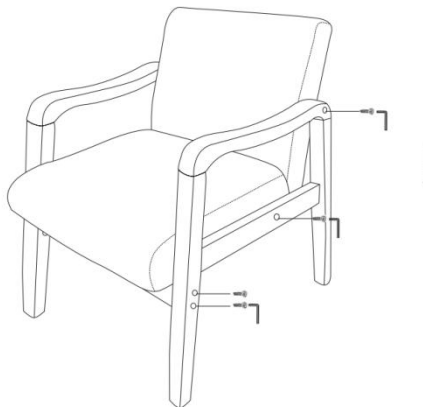
Step 3

Place the seat back (②) on a flat surface, install the seat (①) to the seat back (②) by inserting washers (C) and screws (B) into the bolts under the seat. And secure with the wrench (D).



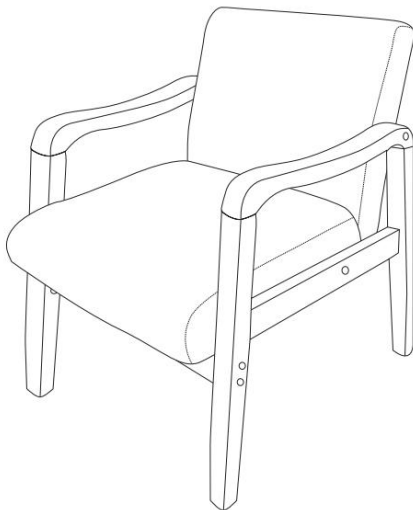
Step 4

Press the seat (①) and the back (②) down on the frame. Insert the screws (B) into the bolts on both sides of the legs and secure with the wrench (D).



Step 5

Assembly complete.



CLEANING & CARE

- Wipe regularly with clean water and a damp, clean, soft white cloth.
- General cleaning can be done as needed with a mild detergent and water solution.
- Always rinse with clean water and dry. For heavy soiling, dampen a soft white cloth or soft bristle brush. Use care as scrubbing can damage the surface.
- More difficult stains can be treated, but this should be occasional, not daily, cleaning.
- ANY cleaning solution used must be removed with clean water and a clean white cloth. Cleaning residue left on the material can cause it to dry out and crack, or affect the color.
- DO NOT use any cleaners with corrosive ingredients (lye, acids or ammonia).