

Model : E16
Installation Manual

- Thank you for choosing our products. Please read the instructions carefully before installation and keep it available for future maintenance or reference.

Content

Installation

Safety instructions	01
Technical specification	03
List of materials	05
Technical drawings	06
Parts identification	07
Toilet installation	08
Previous preparation	10

Maintenance

Daily maintenance	11
1. Main unit care and maintenance	
2. Spray nozzle maintenance and care	
3. Maintenance of filter net	
Emergency troubleshooting	12
1. Failure of remote control	
2. When the product is left unused for long time	

Others

Description of the button function	14
Description of indicator light	15
Troubleshooting Guide	16
Warranty Terms	17

IMPORTANT SAFEGUARDS

When using electrical products, especially when children are present, basic safety precautions should always be followed, including the following:

1. The appliance is not to be used by persons (including children) with reduced physical, sensory or mental capabilities, or lack of experience and knowledge, unless they have been given supervision or instruction.
2. Children being supervised not to play with the appliance.
3. This appliance can be used by children aged from 8 years and above and persons with reduced physical, sensory or mental capabilities or lack of experience and knowledge if they have been given supervision or instruction concerning use of the appliance in a safe way and understand the hazards involved.
4. Children shall not play with the appliance.
5. Cleaning and user maintenance shall not be made by children without supervision.

READ ALL INSTRUCTIONS BEFORE USING



DANGER –To reduce the risk of electrocution:


1. Do not use while bathing.
2. Do not place or store product where it can fall or be pulled into a tub or sink.
3. Do not place in or drop into water or other liquid.
4. Do not reach for a product that has fallen into water. Unplug immediately.
5. Do not wash the main unit or electrical plug with water or detergent.
6. Do not handle the electrical plug with wet hands.
7. Do not put a hand or other staff over the outlet of air dryer or block the outlet of air dryer.
8. Never disassemble, repair or modify this product.
9. During installation, disassembly, repair and maintenance of the product, the power plug must be switched off and water supply be shut off.



WARNING –To reduce the risk of burns, electrocution, fire, or injury to persons.

1. Close supervision is necessary when this product is used by, on, or near children or invalids.
2. Use this product only for its intended use as described in this manual. Do not use attachments not recommended by the manufacturer.
3. Never operate this product if it has a damaged cord or plug, if it is not working properly, if it has been dropped or damaged, or dropped into water. Return the product to a service center for examination and repair.
4. Keep the cord away from heated surfaces.
5. Never use while sleeping or drowsy.
6. Never drop or insert any object into any opening or hose.
7. Do not use outdoors or operate where aerosol (spray) products are being used or where oxygen is being administered.
8. Connect this product to a properly grounded outlet only. See Grounding Instructions.
9. Do not throw cigarettes and other burning stuff into toilet, otherwise it might cause fire.
10. This product is electric appliance, so it must be placed far away from water. Please don't drench urine and other liquid to it.
11. Do not lay on side or upside the product during the electrical circuit.
12. It is prohibited to use other electric appliances in the same socket.
13. It is forbidden to use the power extension or unstable loose outlet.
14. The old aging water supply hose can not be used, otherwise it might cause leakage, fire or electrical shock. Installation of the bidet seat should include specified components and new water supply hose.

IMPORTANT SAFETY INSTRUCTIONS

 **CAUTION** – Indicates that failure to follow the instruction may cause body injury or property damage.

1. Do not install or use the product in wet places as steam room etc.
2. It is recommended to use water-proof electrical outlet which should be installed in the place where is not easily got wet.
3. This product should be used with 110V-120V, 50/60Hz electrical current only, load current is at least 15A. Power plug must be equipped with ground fault circuit interrupter or ground fault electrical leakage protector or similar high sensitive, rapid type leakage switch (Rated sensitive current under 6mA).
4. When it thunders, it is strongly recommended to pull out the power plug.
5. Do not stand on ceramic toilet.
6. Ceramic toilet must install floor fixing bolt.
7. Do not stand on product unit, seat and cover.
8. Do not lean against the seat cover when using the product, to avoid damage.
9. This product is equipped with soft-closing seal cover. Heavy pressing or pushing may damage the soft-closing damper.
10. Do not use lacquer thinner, petrol, liquid medicine, detergent, insecticide, toilet cleanser and scrubbing brush to clean the product.
11. Exposure to direct sunlight is prohibited.
12. Only use tap water or potable water; otherwise it may cause chafing.
13. Do not connect water supply to heater outlet. Make sure inlet water temperature at 3~35°C / 37.4~95°F.
14. When the room temperature is under zero degree, please dry up the water tank, to avoid freezing.
15. Raise rest room temperature to prevent the toilet from damage due to freezing.
16. When move the product from cold or wet environment into normal room temperature, wait for 2 hours until the condensation water is fully volatilized. Doing so can prevent the product from electrical short-circuit.
17. When not using the product over three(3) days, drain the water out of the container and pull the electrical plug from the wall outlet.
18. Stop using the product and shut off the power when product malfunctions, please contact the service people for professional service.

GROUNDING INSTRUCTIONS

This product should be grounded. In the event of an electrical short circuit, grounding reduces the risk of electric shock by providing an escape wire for the electric current. This product is equipped with a cord having a grounding wire with a grounding plug. The plug must be plugged into an outlet that is properly installed and grounded.

 **DANGER** – Improper use of the grounding plug can result in a risk of electric shock.

If repair or replacement of the cord or plug is necessary, do not connect the grounding wire to either flat blade terminal. The wire with insulation having an outer surface that is green with or without yellow stripes is the grounding wire.

This product is factory equipped with a specific electric cord and plug to permit connection to a proper electric circuit. Make sure that the product is connected to an outlet having the same configuration as the plug. No adapter should be used with this product. Do not modify the plug provided — if it will not fit the outlet, have the proper outlet installed by a qualified electrician. If the product must be reconnected for use on a different type of electric circuit, the reconnection should be made by qualified service personnel.

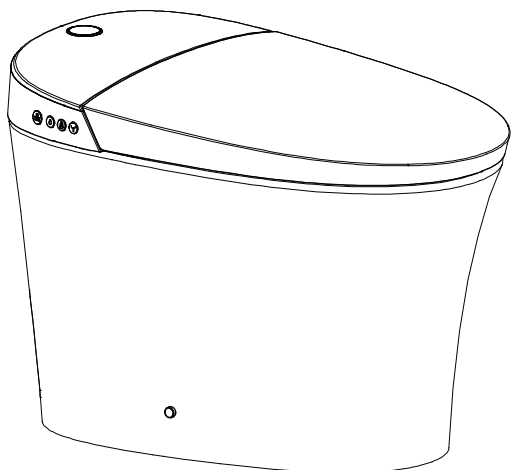
SAVE THESE INSTRUCTIONS

Technical Specification

Model		E16
Main Unit	Rated voltage	110V-120V,50/60Hz
	Rated power	1200-1400W
	Overall unit Waterproof	IPX4
	Electrical wire	length is about 1.8m
Toilet	Flush volume	1.6/1.1Gpf (full flush6.0L/half flush4.1L)
	Flushing mode	Siphonic jet
	Rough-in distance	305mm
	Outlet outside diameter	≤100mm
	Drainage method	Floor drain
	Water pressure range	0.09MPa (dynamic water pressure, flow rate 3.96Gal/min (15.0L/min) or more)--0.8MPa (static water pressure)
Cleaning device	Heating mode	Instant heated
	Heating power	1400W
	Water temperature	6 different level adjustment
	Water volume	3 different level adjustment
	Cleansing mode	Rear washing / Moving washing , Front washing / Moving washing
	Spray cleansing location	5 different level adjustment
	Water pressure protector	Pressure stabilizer, Automatic pressure discharging
	Anti-fouling device	Automatic cleansing nozzle, Anti-siphon device, Anti-backflow device, Filter device
	Safety device	Thermal fuse, Water temperature sensor, Ground protection, Thermostat,Overheating protection, Electric leakage protection
Drying device	Warm air volume	> 0.2m ³ /min
	Warm wind temperature	6 different level adjustment
	Heating power	250W
	Safety device	Thermal fuse, Temperature sensor, Thermostat

Model		E16
Deodorization	Deodorization Method	Diatoms Deodorization
Heated seat	Surface temperature	6 different level adjustment
	Heating power	50W
	Open and close device	Quiet soft-closing device
	Heated burning protection	Seat temperature will auto switch to level 1 after 10 minutes usage
	Safety device	Seat sensor, Temperature sensor, Thermal fuse, Overheating protection, Electric leakage protection
Caring device	Night light assembly	Intelligent, in the off state
	User ID setting	To avoid disturbance from remote controls by multi-user
	Automatic flushing	Toilet will automatically flush as user walks away from bowl
	Foot-sensing flushing function	Activate foot sensor for flushing
Antibacterial position		Seat, Spray nozzle

List of materials



Main Unit



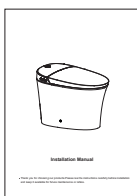
Remote controller components



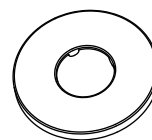
Sealing Flange



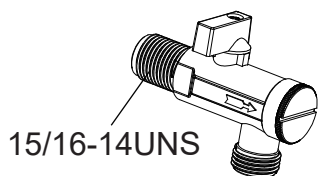
Installation Cardboard



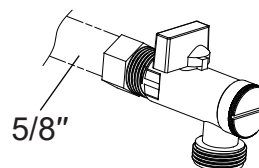
Installation Manual



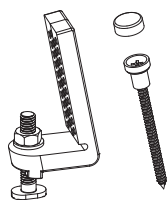
Flange



Angle Valve option 1



Angle Valve option 2

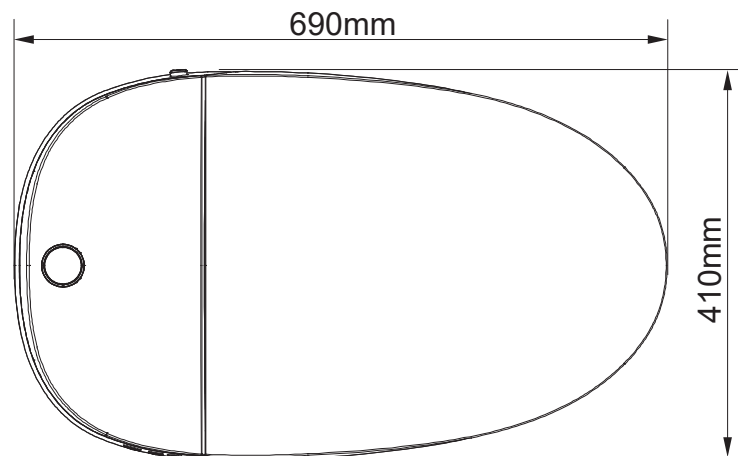
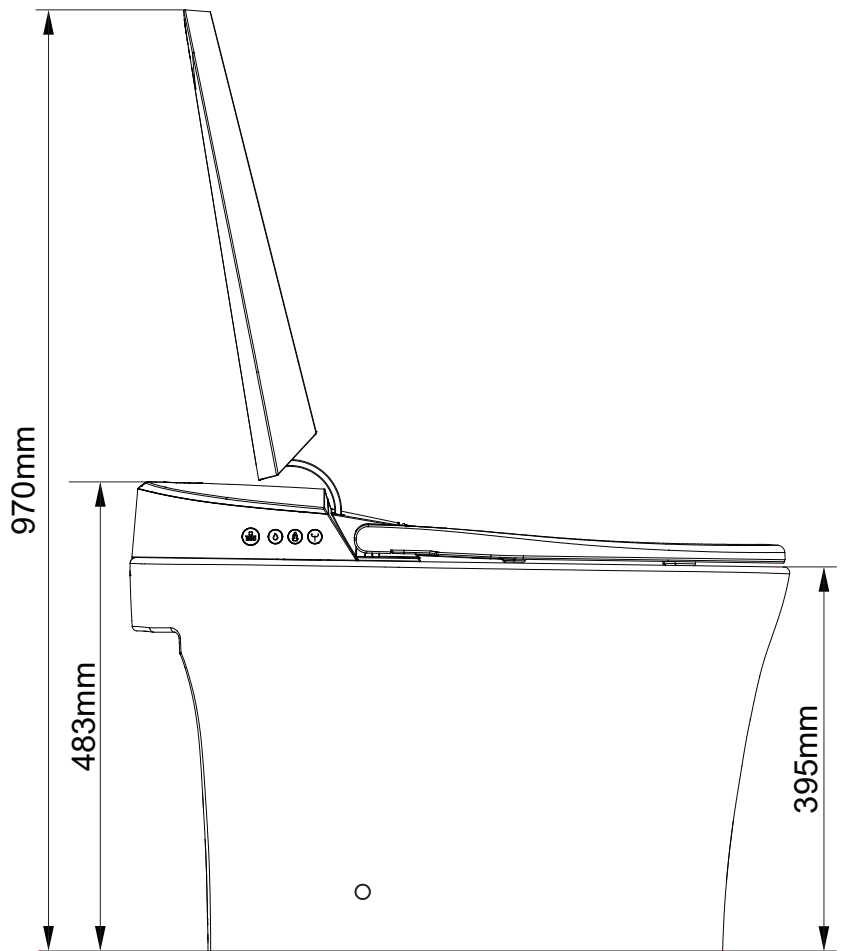


Mounting accessory kit



Braided hose

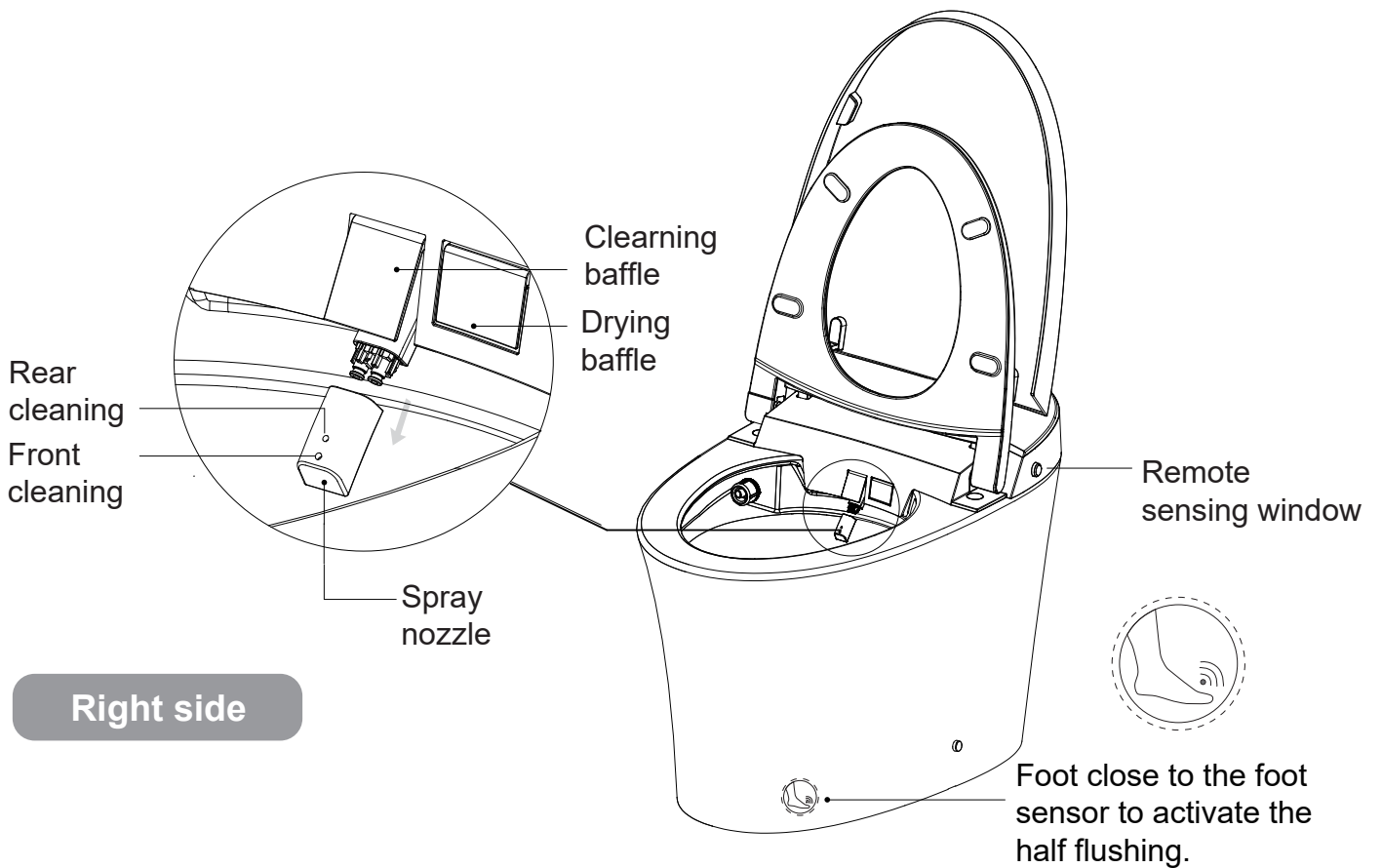
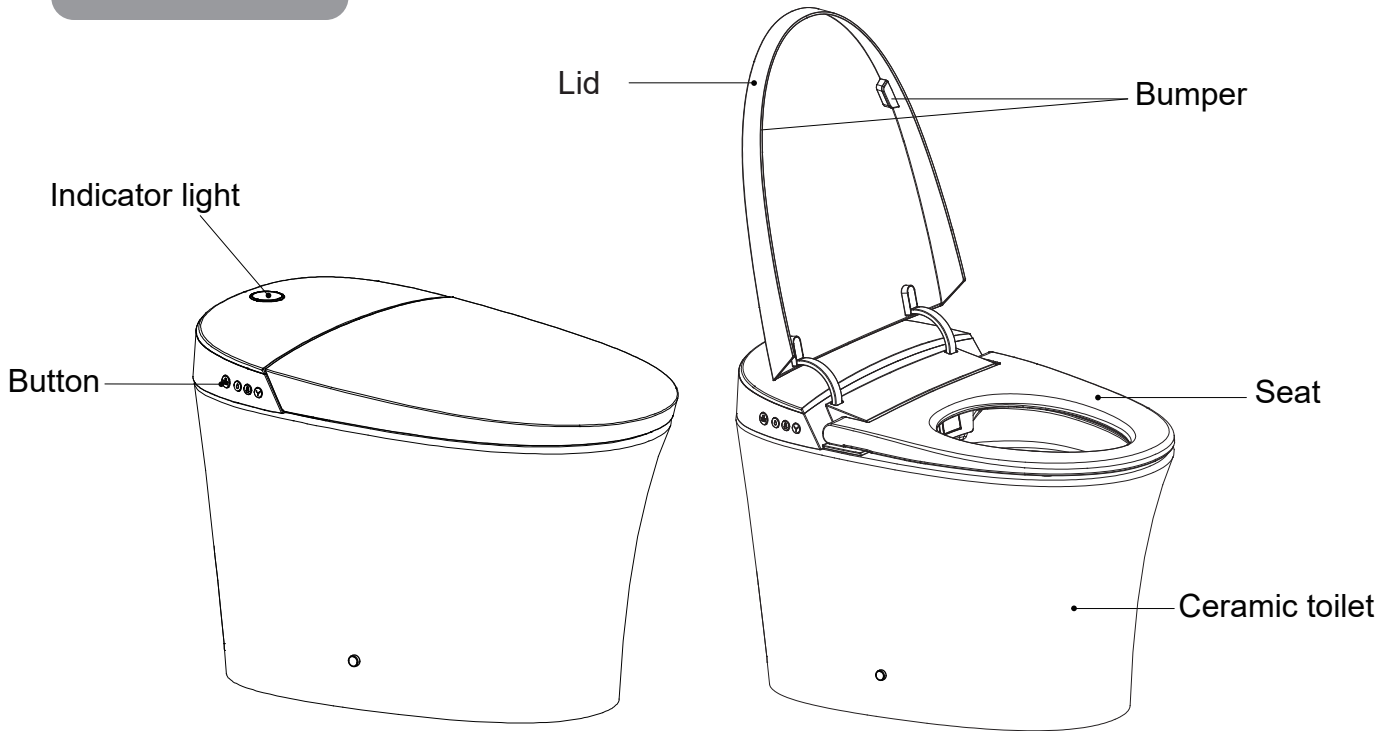
Technical drawing



1. The product drawing is for reference only, and we reserve the right to modify the appearance of the product.
2. If the appearance of the product is changed, the actual product shall prevail.

Parts identification

Left side



Right side

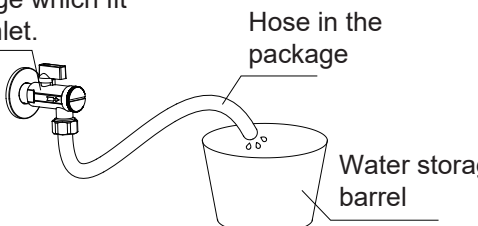
Toilet Installation

⚠️ Precaution before installing

- Minimum dynamic working water pressure: 0.09MPa or more(3.96Gal/min(15L/min) or more), failure to meet this pressure will not achieve the best flushing effect.

Remark: Apply the methods below if you don't have water pressure testing device.

Choose right angle valve in the package which fit your water inlet.



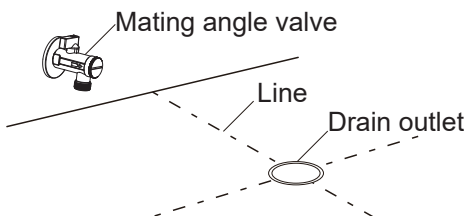
Hose in the package

Water storage barrel

Open the angle valve and fill the barrel with water. If it reach to 0.66Gal (2.5L) in 10s filling, the water pressure is OK for toilet working.

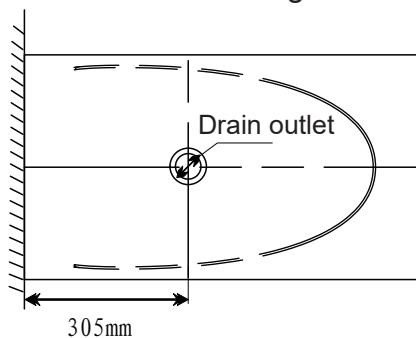
1. Installation of mating angle valve

- Draw drain outlet centerline on the floor, Install angle valve at proper position on wall according to dimension of toilet.



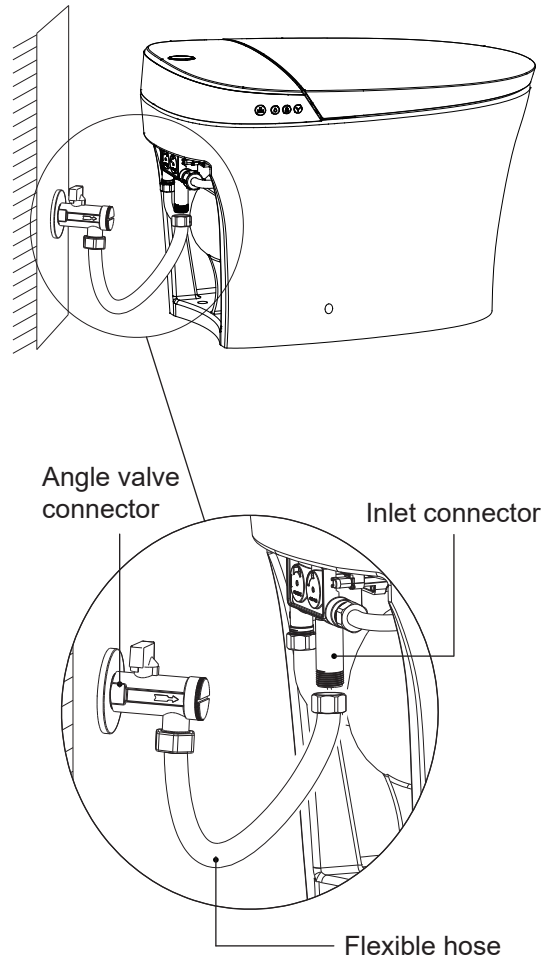
2. Cardboard installation

- Align cardboard with the centerline of drain outlet;
- Draw contour line according to cardboard;



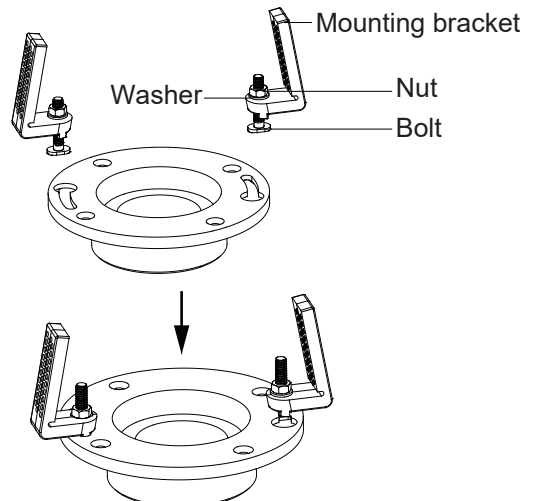
3. Hose

- Connect the water inlet and angle valve of the toilet with the matching hose and tighten it



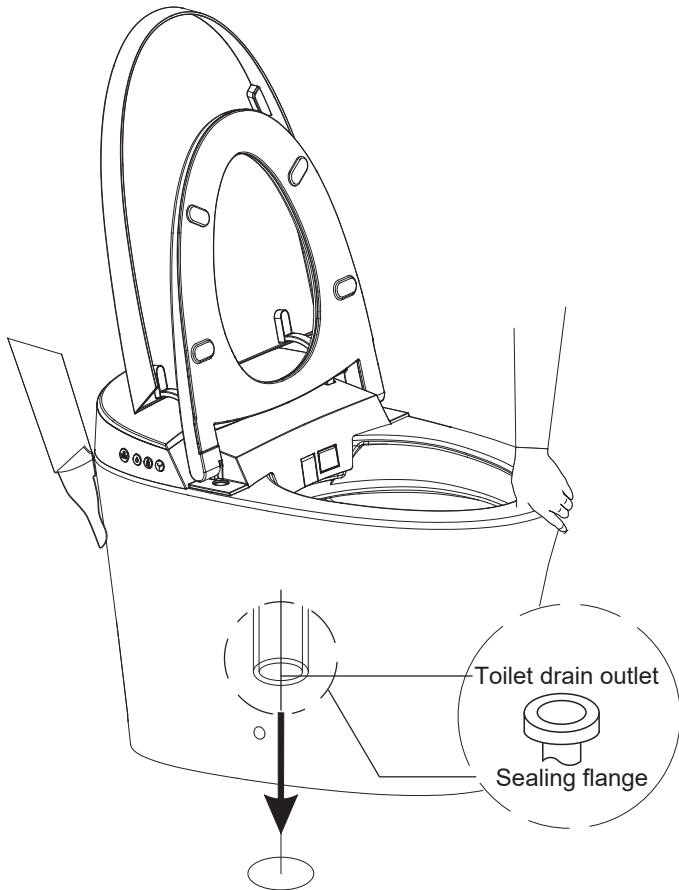
4. Mounting bracket installation

- Assemble the mounting bracket with bolts and then install them to the pre-installed flange plate on the ground and lock tight with nuts.



5. Ceramic toilet installtion

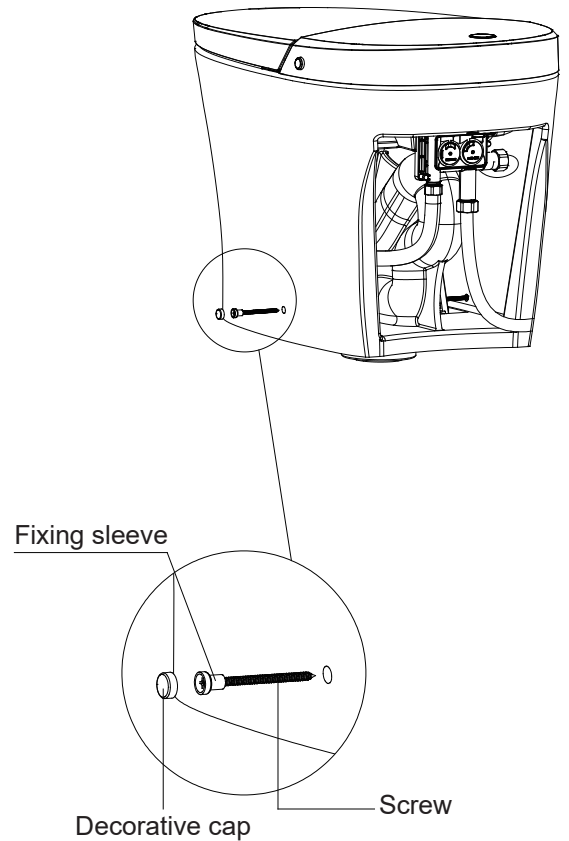
- Install sealing flange into drain outlet;
Install ceramic toilet on corresponding position according to contour line.



Tips: The toilet is heavy. Open the lid before carrying. Take 2 person to carry the toilet together.

6. Screw installation

- Put the screw through the fixing sleeve and then install it through the holes(on both sides of the toilet ceramic) to the mounting bracket on the ground, and lock tight with a tool;
- Put the decorative cap on the fixing sleeve.

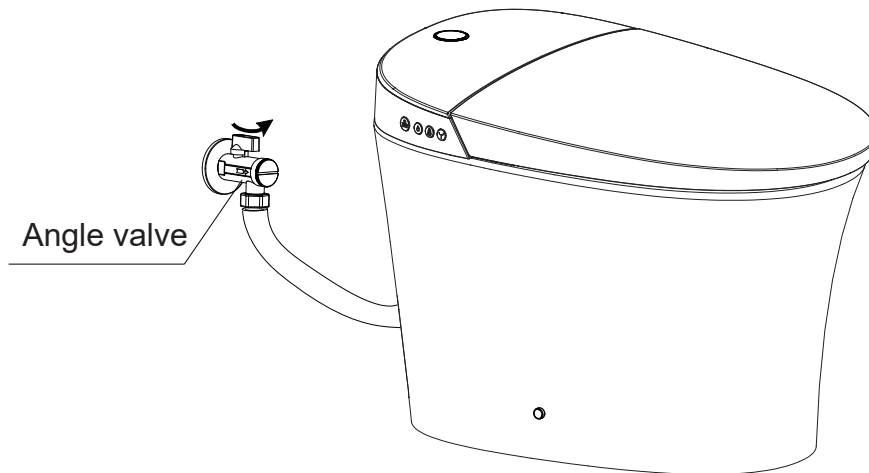


Previous preparation

1. Turn on the angle valve

Check thread connection, make sure no leakage is found, unscrew angle valve anticlockwise to maximum opening.

(Tips: When opening for the first time, the angle valve handle has a larger torque)



2. Power Connection

- Insert leakage protection plug into the power socket, press the reset switch, plug indicator lights on indicating that the power is on.

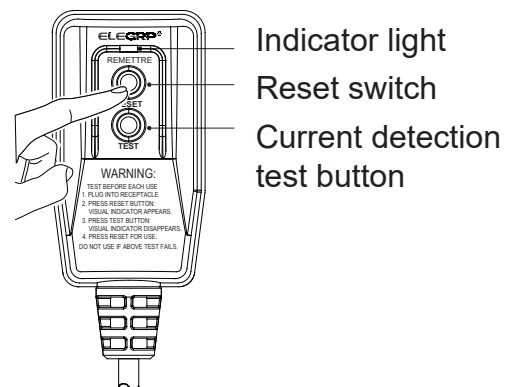
Tips:

Press electric leakage test button prior before usage, the reset switch pops up indicating that the leakage protection function is normal.

Press the TEST button (then RESET button) every month to assure proper operation.

* Only for models with leakage protection plug.

* Please refer to the actual product.



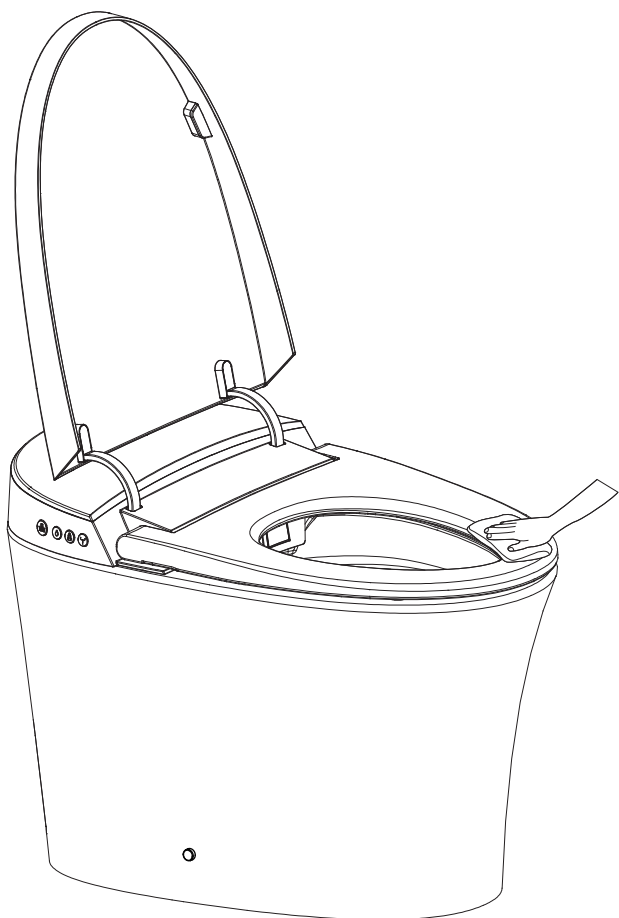
3. Self-inspection

1. The main unit buzzer rings "beep", first blue light on, then blue light off; then red light on, start self-inspection.
2. The main unit buzzer rings another "beep", self-inspection finish.
3. Start function mode for normal usage.

Daily maintenance

Main unit care and maintenance

1. Shut off power supply before doing maintenance.
2. Wipe the stain with a soft damp cloth.



3. Safety self- inspection

- After cleaning, re-connect the toilet with the power supply. Wait for the toilet finishing self-inspection before use.

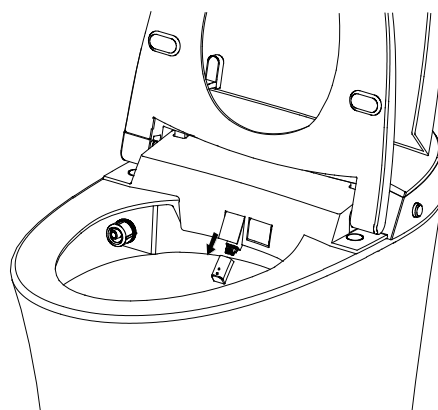
Spray nozzle maintenance and care

1. Nozzle self-cleaning

- While not sitting on the unit, short press the “ REAR/MOVE ” Button on the main unit, the spray nozzle will extend outward and water will flow out.

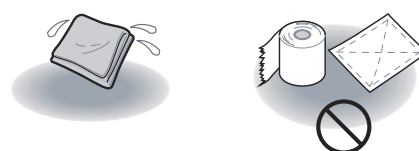
2. Spray nozzle disassemble

- When the nozzle moves forward, the nozzle can be disassembled to clean.



3. Use soft cloth or soft brush to clean

- Do not pull or push the spray wand to avoid damage.



4. Nozzle retraction

- Install the nozzle to the wand. Press the “Stop” button, the spray wand will retract automatically.

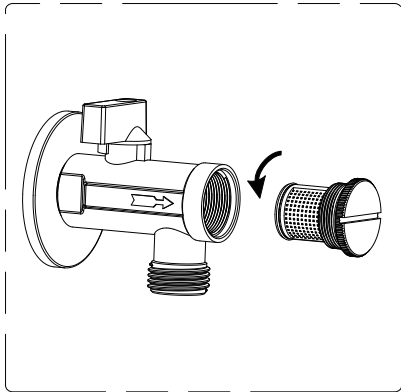
Emergency Troubleshooting

Maintenance of filter net

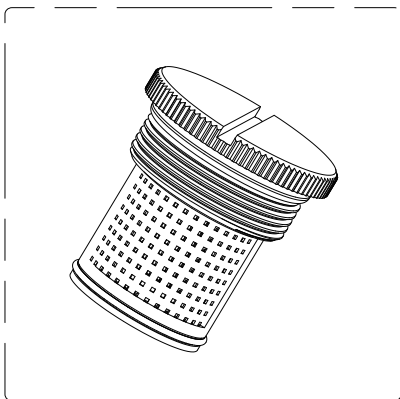
When to maintain:

Poor flush performance under normal water pressure.

1. Turn off power and the angle valve
2. Unscrew angle valve nut



3. Remove filter net

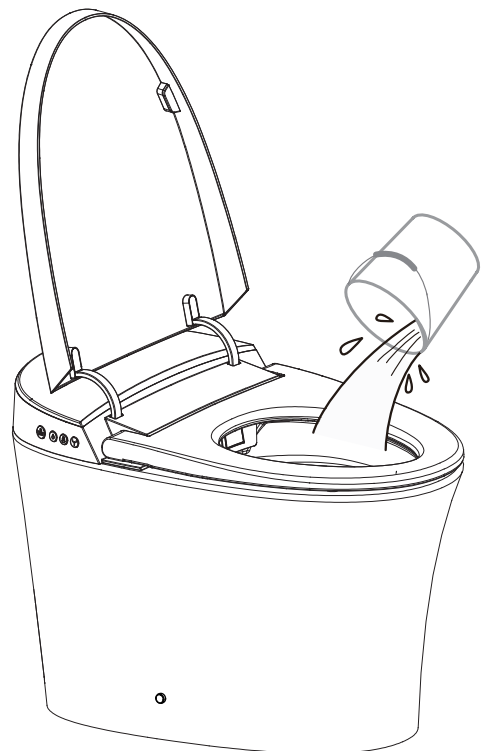


4. Use the brush to clean filter net
5. Reinstall filter net and angle valve nut
6. Turn on the angle valve and connect power, then it can work normally after self inspection.

No water supply

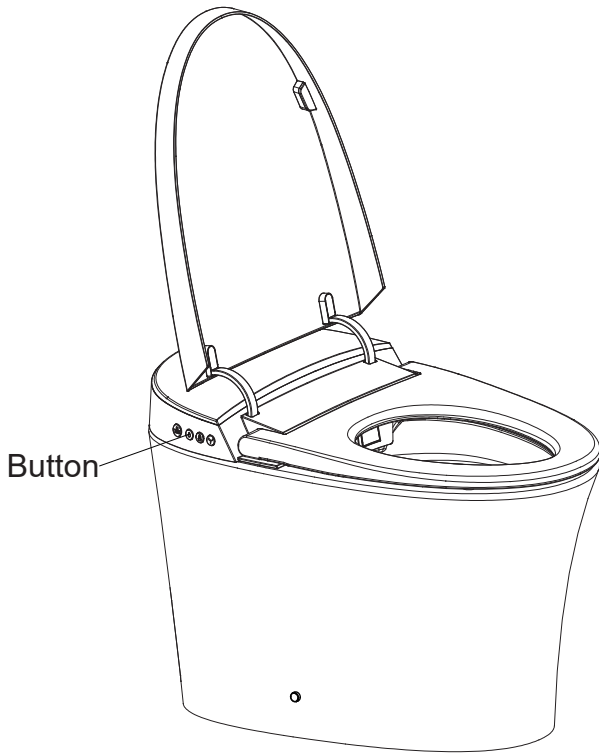
- Pour around 2.1Gal (8L) water into a barrel and flush the bowl.

Note: Avoid water spilling from bowl.



Failure of remote control

Operate through the toilet button

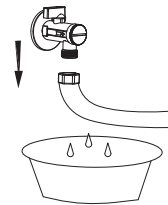


When the product is left unused for long time

- Especially in winter when no one at home for a long time, please drain out the water inside tank and pipe to prevent freezing.

To discharge water

1. Drain out the water inside tank
 - Activate flushing, and then turn off angle valve to prevent water inlet.
2. Unplug and cut off the electricity
3. Drain out the water inside pipe
 - Unscrew the hose connector off angle valve, drain the water in the pipe and reinstall.



4. Handle the remaining water in bowl
 - It is suggested to put antifreezing solution in the bowl.

Tips: Make sure to turn on water supply and power when you use the toilet again.



Note: Before water discharge of the pipe, the power must be cut off!

Description of the button function

The illustration of main unit buttons		
	 Stop	<ol style="list-style-type: none"> 1. Long press the “Stop” button (for about 3s) , the toilet enters the shutdown mode (red light off), press the “stop” button again, the toilet returns to the working mode (lights red). 【In the shutdown mode, except for the “Stop” button on the main unit, any button (including the toilet and the remote control) is invalid. 2. When the user is seated, press the “Stop” button on the main unit to stop the feminine washing, rear washing or drying function. When the user is not seated, press the “Stop” button on the main unit repeatedly. The main unit switches between working mode (red light) and power save mode (blue light).
	 Rear washing/ Moving washing	<ol style="list-style-type: none"> 1. When seated, press "Rear washing" button to wash the rear portion of body; Press "Rear washing" button repeatedly, then turn on/off mobile function; Press "Stop" button to stop. When one circle cleaning is finished and the body remains seated, the dry function will be automatically turn on and will stop after one cycle. 2. When no one is seated, press "Rear washing" button, the rod will stretch out ,people can wash the nozzle and rod manually, press "Stop" button, the rod will retracts.
	 Front washing/ Moving washing	<p>When seated, press "Front cleaning" button to wash the front portion of body; Press "Front cleaning" button repeatedly, then turn on/off mobile massage function; Press "stop" button to stop. When one circle cleaning is finished and the body remains seated, the dry function will be automatically turn on and will stop after one cycle.</p>
	 Flush	<ol style="list-style-type: none"> 1. When the user is seated, long press the “Flush” button on the main unit to turn on the drying function. After drying for one cycle, it will stop automatically. During the drying process, press the “Stop” button to stop the drying function. 2. In the non-off mode, short press the “Flush” button on the main unit to turn on the flush function. [Under the rear wash or the femail wash function, the flush function is invalid; when the nozzle is manually cleaned, the flush function is activated after the nozzle is fully extended and retracted into position].

Tips:

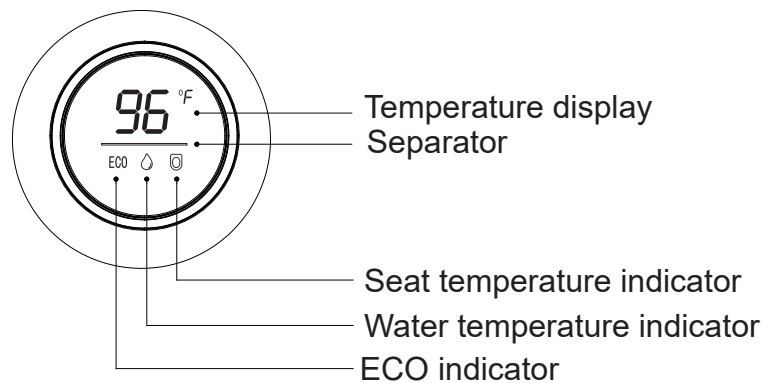
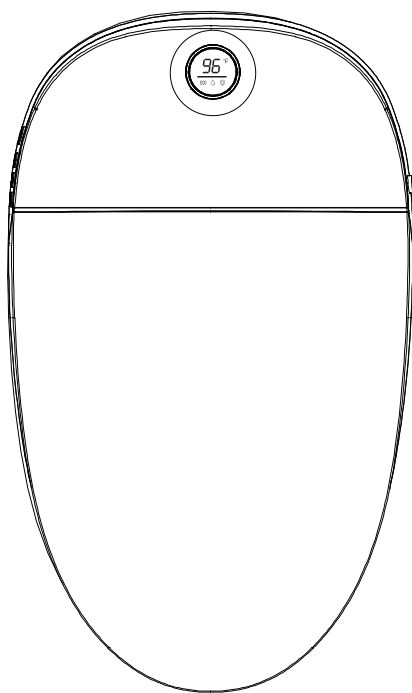
When the main unit is initializing, the “stop” button lights up, after about 1.5s, the blue light (ECO light) will switch to red light (power light) .

Under ECO mode, the “stop” button lights up blue (ECO light). Under working mode, the “stop” button lights up red (power light). Under power-off mode, the “stop” button on the main unit lights off.


Right after main unit starts up, all function levels default to middle level. If the remote control is used, all function levels will switch to the levels set by the remote control.

Description of indicator light

1. When the unit starts up, it displays water temperature information by default. Temperature display light, water temperature indicator and separator are all on. Seat temperature indicator and ECO indicator are 50% on;
2. When water temperature is in a non-neutral state, and there is a seat temperature adjustment. After 5 seconds of adjustment, it automatically switches to the water temperature display: water temperature indicator, separator and temperature display light are all on; ECO indicator and seat temperature indicator are 50% on.
3. When water temperature is in the neutral state, it will switch to the seat temperature setting display: seat temperature indicator, separator and temperature display light are all on; ECO indicator and water temperature indicator are 50% on.
4. When water temperature and seat temperature are in the neutral state, water temperature indicator, seat temperature indicator and ECO indicator are 50% on; Separator is 100% on and no temperature displayed.
5. Under ECO mode, when people leave the seat, ECO indicator and separator are 100% on; water temperature indicator, seat temperature indicator are 50% on and no temperature displayed; When people sit on the seat, ECO indicator is 50% on; separator is 100% on, water and temperature indicator show the current setting.



Troubleshooting Guide

Problem	Cause	Solution
No Water from Nozzle	Water inlet hose bent to cause blocking	Solve the problem of bending of water inlet hose
	Inlet valve is off	Turn on the inlet valve
	Water supply is cut off	Connect water supply and wait for the water
Weak water cleaning	Water inlet hose bent to cause partial blocking	Solve the problem of bending of water inlet hose
	Inlet valve is not fully turned on	Turn on the inlet valve fully
	Inlet filter blocked	Clean the filter
Low water temperature	The water temperature is setted on normal temperature level	Reset the water temperature
Low seat temperature	The seat temperature is setted on normal temperature level	Reset the seat temperature
	In standby mode	Switch to functional mode and use it after 3 minutes
Low wind temperature	The wind temperature is set on normal temperature level	Reset the wind temperature
No wind out	In standby mode or power save mode	Shift to function mode to use dry function
Spray rod cannot retracted	Power off	Push back the rod lightly and wait for the power
	Get stuck by impurities	Clear the impurities
Spray rod cannot stretch out	Power off	Connect the power
	Not sit in sensing area	Sit right in the sensing area
Remote control cannot display	Reverse the polarity of battery	Reload the battery
Malfunction of deodorization	User doesn't reach the sensing area in seat	Adjust to reach the sensing area
	Deodorization function keeps working after user leaves	It's a normal phenomenon if deodorization function keeps working after user leaves to ensure eliminating smell entirely
 Caution	If the problems cannot be solved as per above methods, please shut-off the power, and contact service providers for maintenance.	
	If the leakage circuit breacker often trips off, it means the product has electricity leakage, please shut off the power, and contact service provider for maintenance.	

Warranty Terms

1. One-year limited warranty for commercial installation, and two-year limited warranty for residential installation.
2. R&T warrants its product to be free from defects in materials and workmanship during normal use when properly installed and serviced, for a period of one year for commercial or two years for residential from date of shipment. This limited warranty is only to the ORIGINAL PURCHASER of the Products and is not transferable to any third party, including but not limited to any subsequent purchaser or owner of the Product. This warranty applies only to the R&T's product purchased and installed in USA.
3. R&T's obligations under this warranty are limited to repair, replacement or other appropriate adjustment, at R&T's option, of the Product or parts found to be defective in normal use, provided that such Product was properly installed, used and serviced in accordance with instructions. R&T reserves the right to obtain necessary information including the claimed product to conduct investigation in order to determine the cause of the defect. R&T is not responsible for the cost of removal, return and/or reinstallation of the Product.
4. This warranty does not apply to the following items:
 - a) Damage or loss sustained in a natural calamity such as fire, earthquake, flood, thunder, electrical storm, etc.
 - b) Damage or loss resulting from any accident, unreasonable use, misuse, abuse, negligence, improper care or maintenance of the Product.
 - c) Damage or loss resulting from sediments or foreign matter contained in a water system.
 - d) Damage or loss resulting from the quality of water in the region where the product is used.
 - e) Damage or loss resulting from improper installation or from installation of the Product in a harsh and/or hazardous environment, or improper removal, repair or modification of the Product. This includes locations where the water pressure is above local codes or standards.
 - f) Damage or loss resulting from electrical surges or lightning strikes or other acts which are not the fault of the manufacturer or which the Product is not specified to tolerate, including failure to use the factory equipped cord and plug or use of a loose or faulty electrical outlet or use of a current or socket other than a 110V, 60Hz electrical current from a GFI (ground, fused) socket.
 - g) Damage or loss resulting from normal and customary wear and tear, such as gloss reduction, scratching or fading over time due to use, cleaning practices or water or atmospheric conditions, including but not limited to, the use of bleach, alkali, acid cleaners, dry (powder) cleaners or any other abrasive cleaners or the use of metal or nylon scrubbers.
5. If the warning label placed on the seat is broken or otherwise not intact, this limited warranty is void.
6. In order for this limited warranty to be valid, R&T needs to investigate each case. During this process, the customer needs to provide necessary information for R&T to investigate, including but not limited to photos or videos to demonstrate the reported issue, purchase order number, production date or tracking information coming with the product.
7. This warranty gives you specific legal rights. You may have other rights which vary from state to state, province to province or country to country.

WARNING! R&T shall not be responsible or liable for any failure of, or damage to, this Product caused by either chloramine in the treatment of public water supply or cleaners containing chlorine (calcium hypochlorite).

NOTE: The use of a high concentrate chlorine or chlorine related products can seriously damage the fittings. This damage can cause leakage and serious property damage.

THIS WRITTEN WARRANTY IS THE ONLY WARRANTY MADE BY THE MANUFACTURER. REPAIR, REPLACEMENT OR OTHER APPROPRIATE ADJUSTMENT AS PROVIDED UNDER THIS WARRANTY SHALL BE THE EXCLUSIVE REMEDY AVAILABLE TO THE ORIGINAL PURCHASER. THE MANUFACTURER SHALL NOT BE RESPONSIBLE FOR LOSS OF THE PRODUCT OR FOR OTHER INCIDENTAL, SPECIAL OR CONSEQUENTIAL DAMAGES OR EXPENSES INCURRED BY THE ORIGINAL PURCHASER, OR FOR LABOR OR OTHER COSTS DUE TO INSTALLATION OR REMOVAL, OR COSTS OF REPAIRS BY OTHERS, OR FOR ANY OTHER EXPENSE NOT SPECIFICALLY STATED ABOVE. IN NO EVENT WILL THE MANUFACTURER'S RESPONSIBILITY EXCEEDS THE PURCHASE PRICE OF THE PRODUCT. EXCEPT TO THE EXTENT PROHIBITED BY APPLICABLE LAW, ANY IMPLIED WARRANTIES, INCLUDING THAT OF MERCHANTABILITY OR FITNESS FOR USE OR FOR A PARTICULAR PURPOSE, ARE EXPRESSLY DISCLAIMED.



R&T®

Xiamen R&T Plumbing Technology Co.,Ltd.

Add: No. 18, Houxiang Road, Haicang District, Xiamen, China

Tel: 86-0592-6539788

Fax: 86-0592-6539723

E-mail: rt@rtplumbing.com

Http: [//www.rtplumbing.com](http://www.rtplumbing.com)

The picture of product may not entirely consistent with actual appearance and color because of products improvement, please in kind prevail.

ASVFAF0393000A-1.2