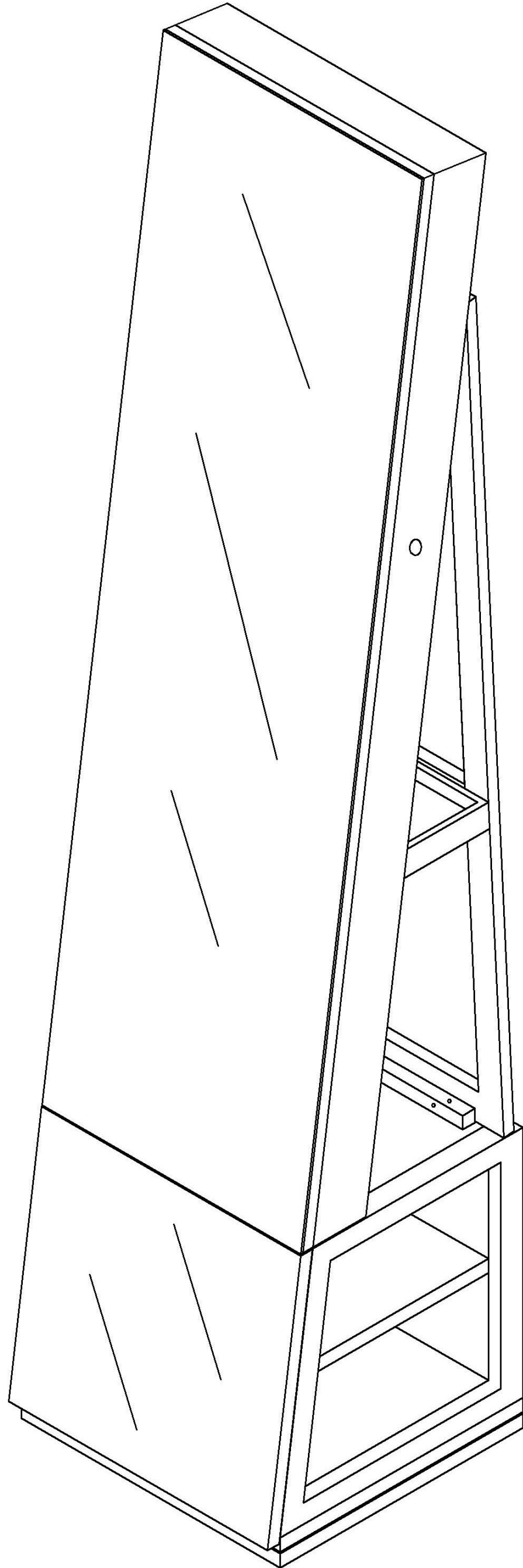
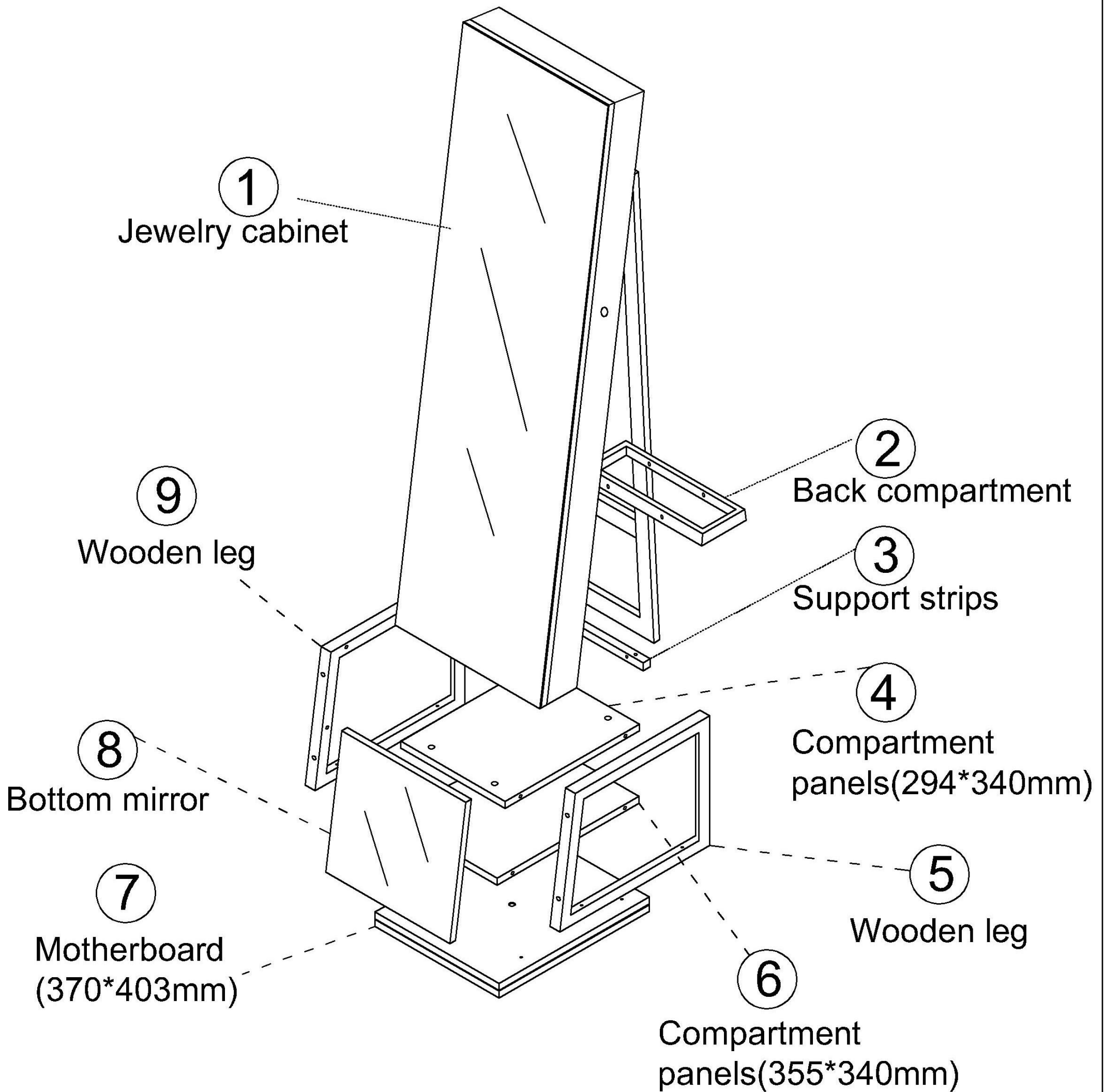





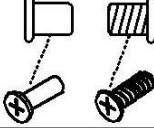
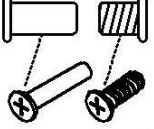
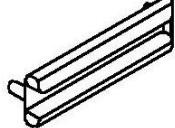
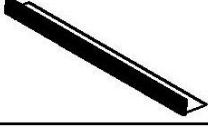
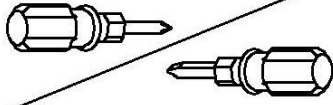





LY-67013 MIRROR JEWELLERY CABINET



Hardware list

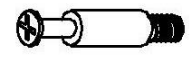


Accessories list

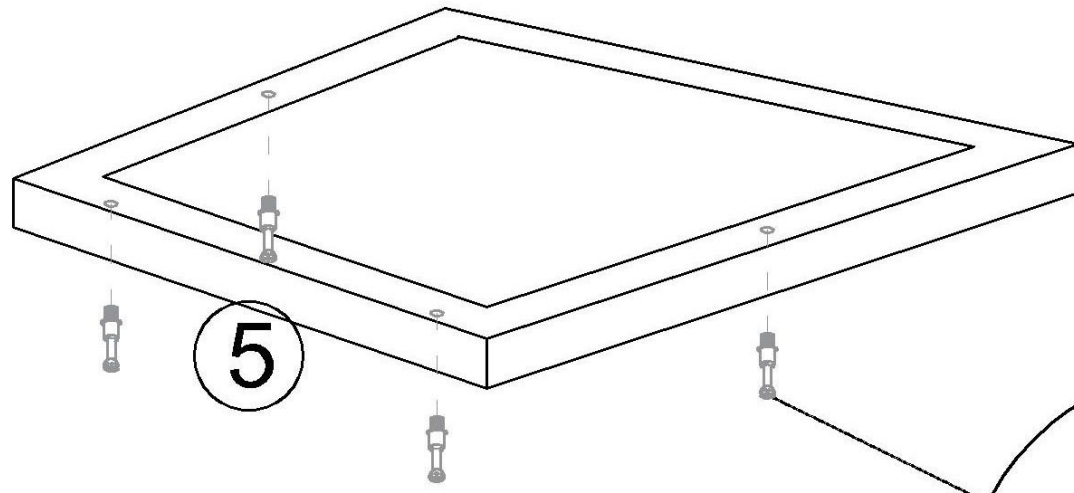
A		Three in one screw (6x35mm)	9 Pcs
B		Small cross screw assembly (12*10mm)	9 Pcs
C		Key	1 Pcs
D		(Short Type5*8mm)Cross screw assembly	2 Pcs
E		(Long Type5*20mm)Cross screw assembly	2 Pcs
F		Acrylic left and right accessories	2 Pcs
G		Acrylic spacer	1 Pcs
H		Screwdriver	1 Pcs
I		Long screw(6*30mm)	6 Pcs
J		Long screw(6*50mm)	8 Pcs
K		Self tapping wire(3x16mm)	1 Pcs
L		Colloidal granules/Self tapping wire(4x45mm)	1 Pcs
M		Anti-rewind (290mm)	1 Pcs

Step 1

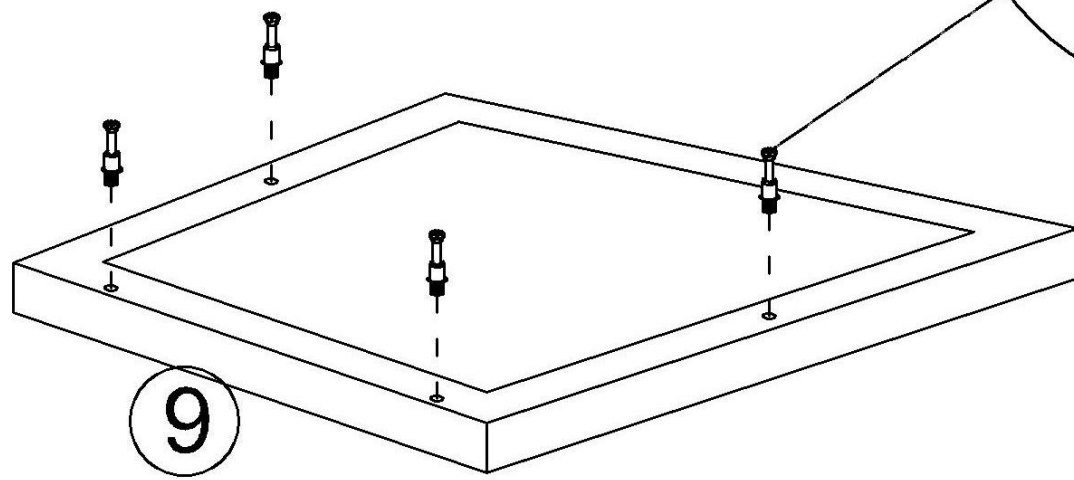
A



x 8



5



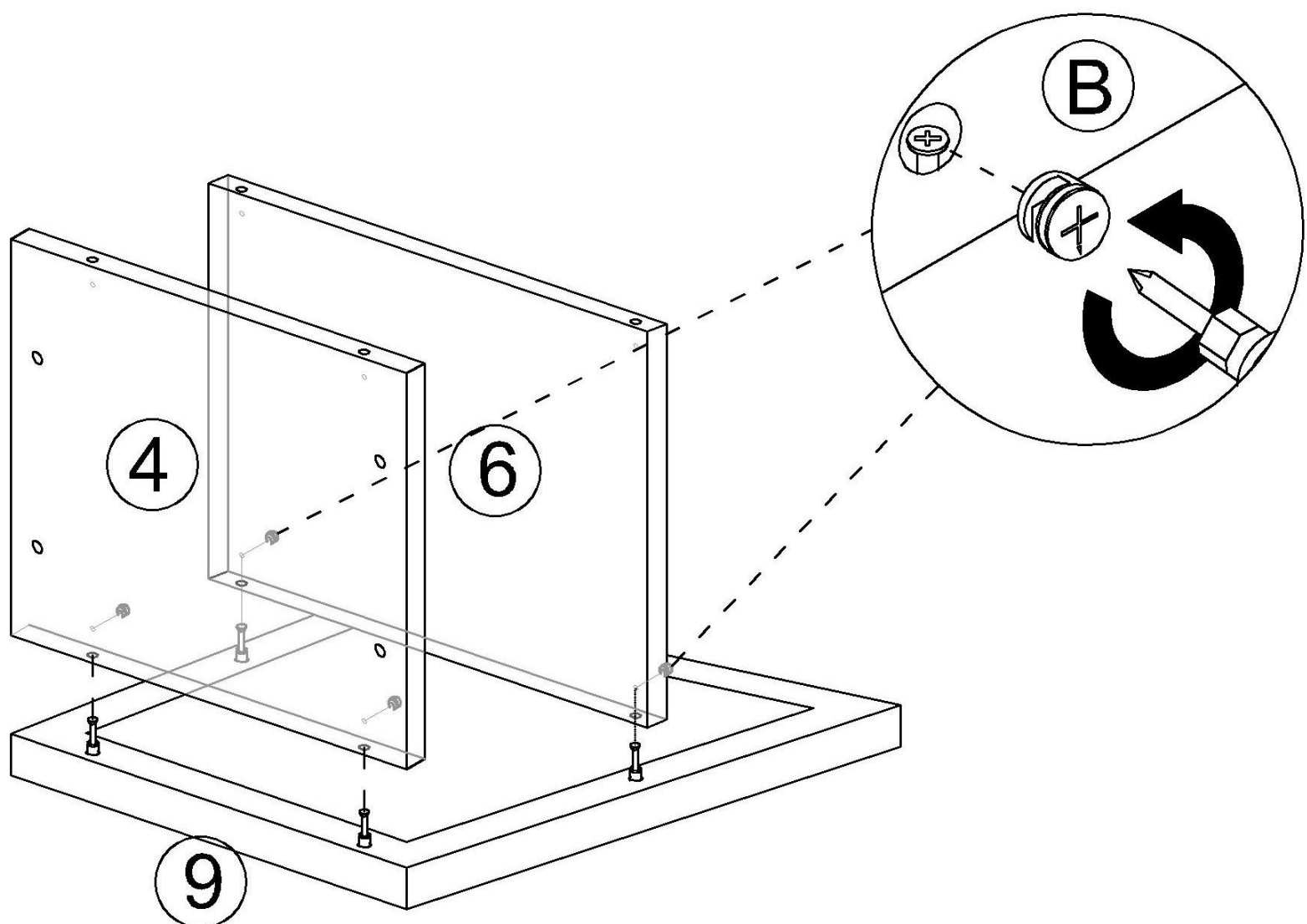
9

Step 2

B



x 4



4

6

9

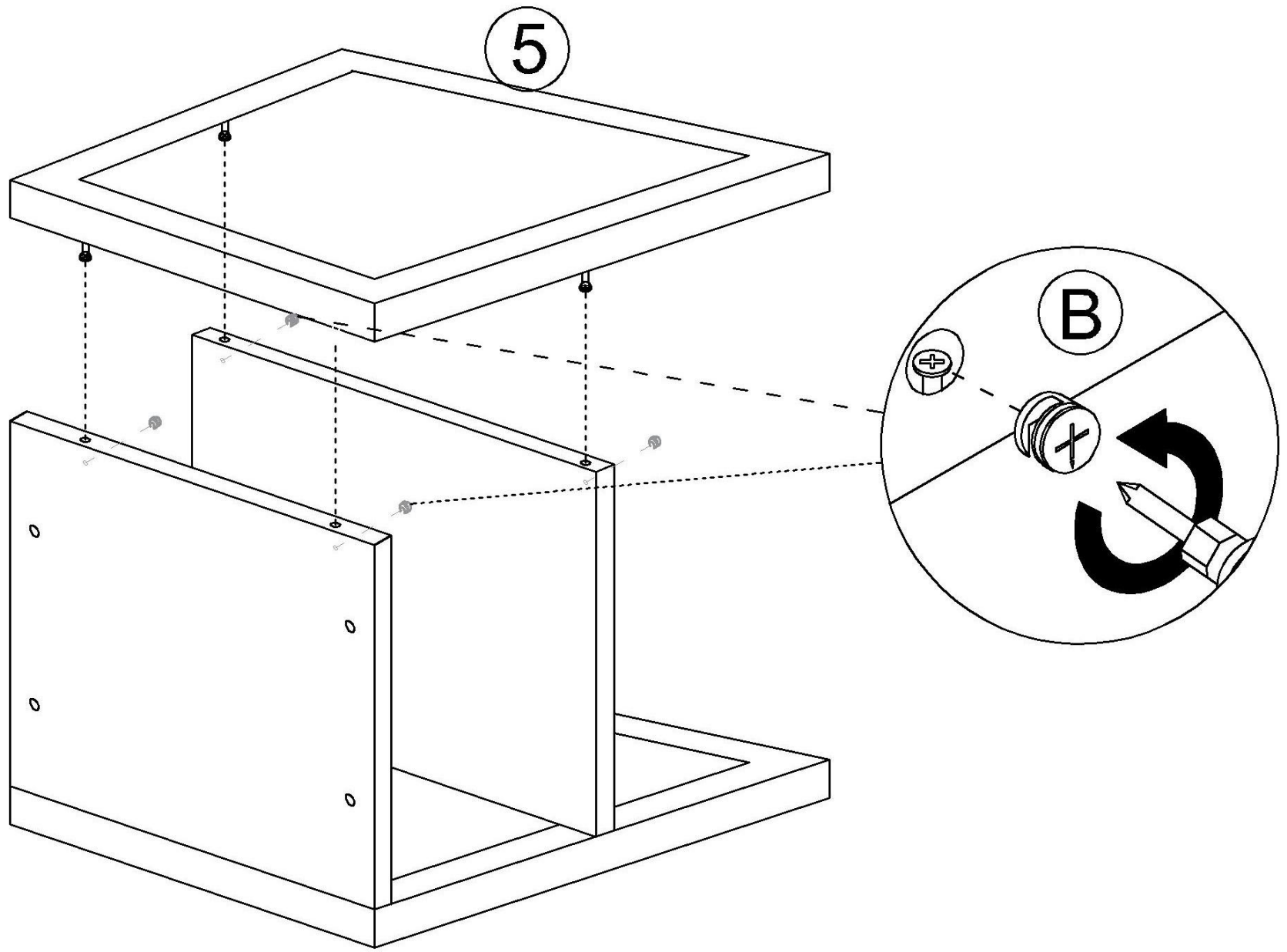
B

Step 3

B

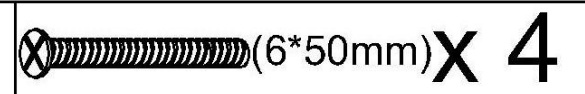


x 4

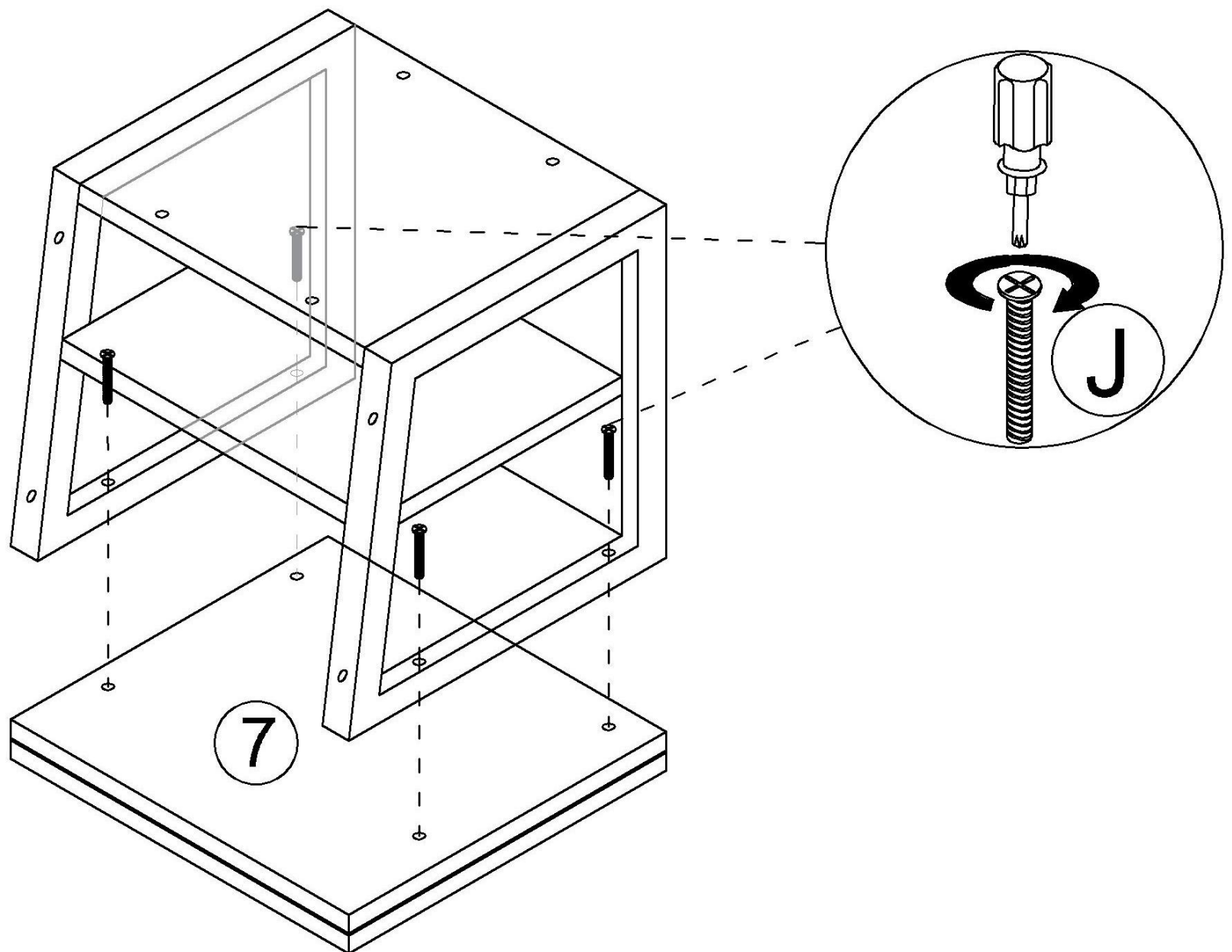


Step 4


J

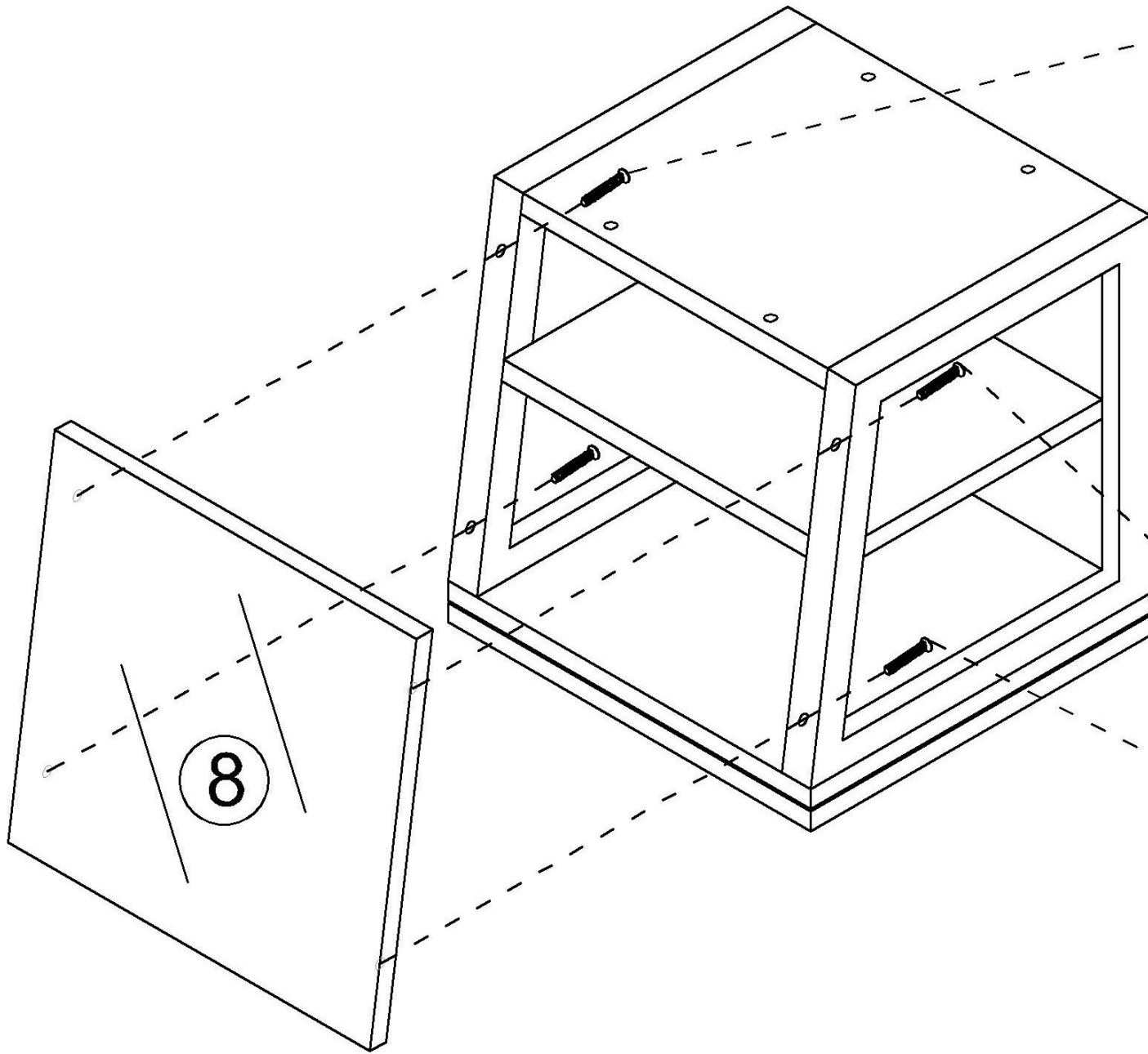


x 4

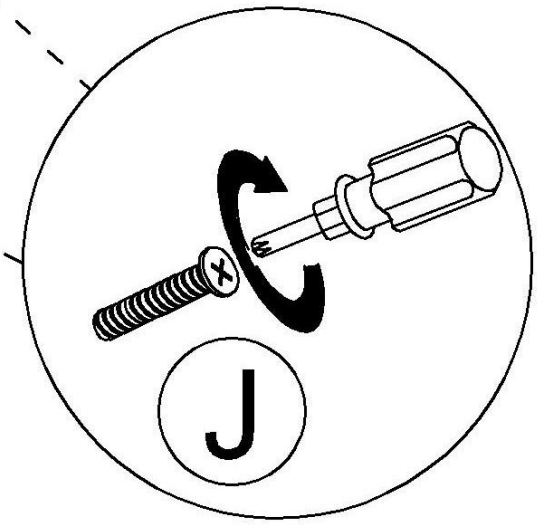


Step 5


J  (6*50mm) **X 4**

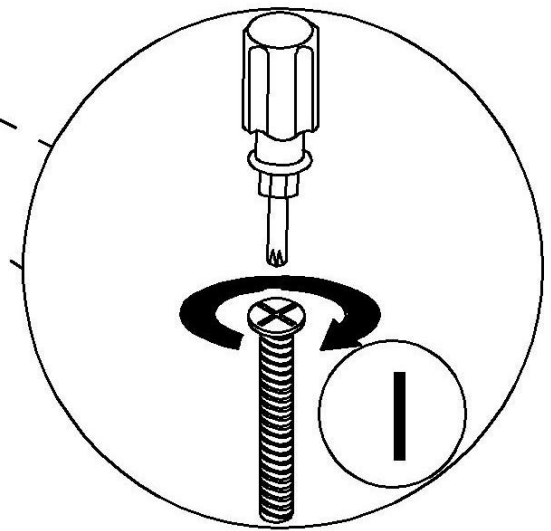
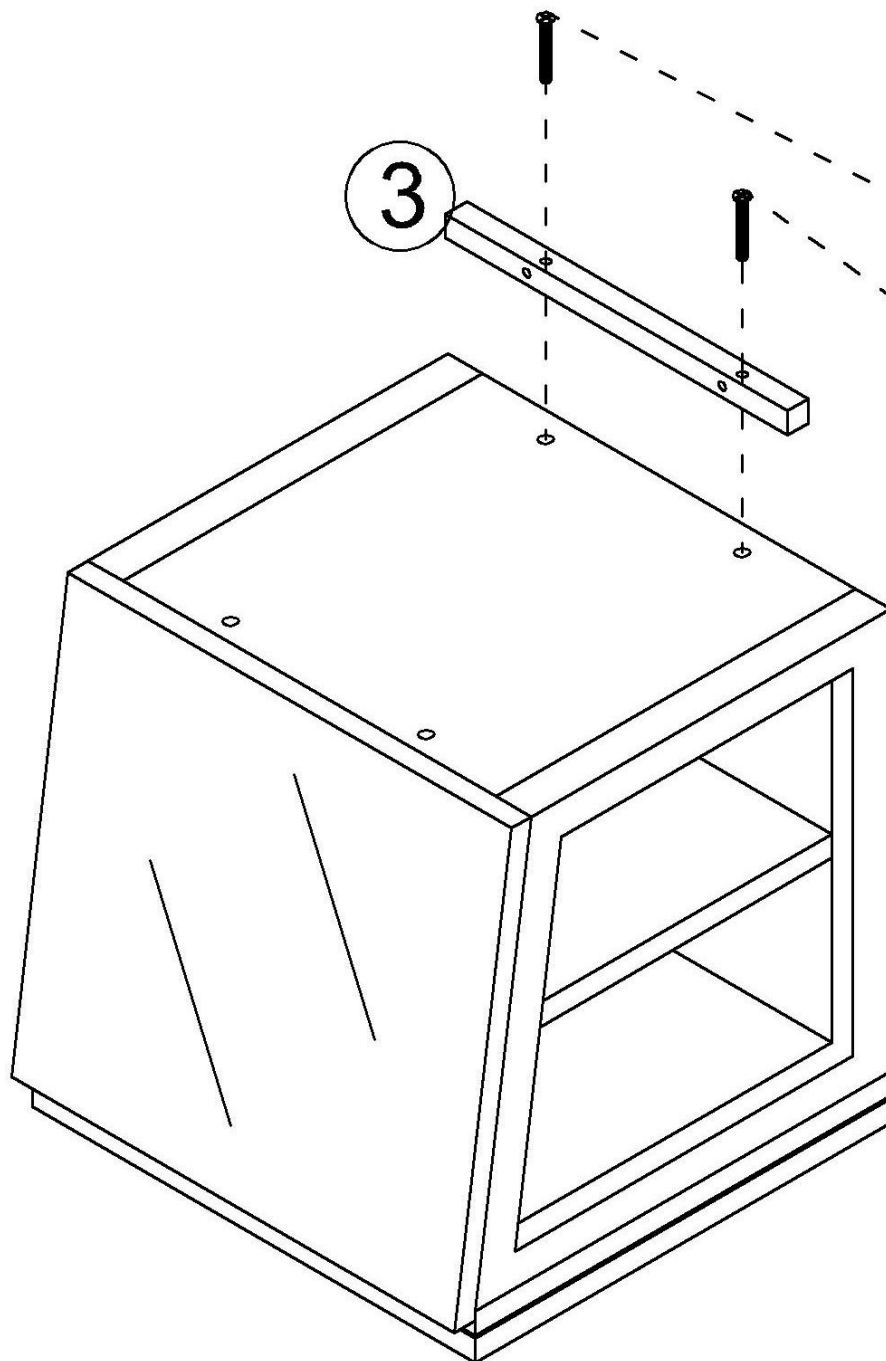


The mirror height can be adjusted by adjusting the upper and lower screws


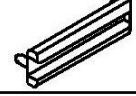


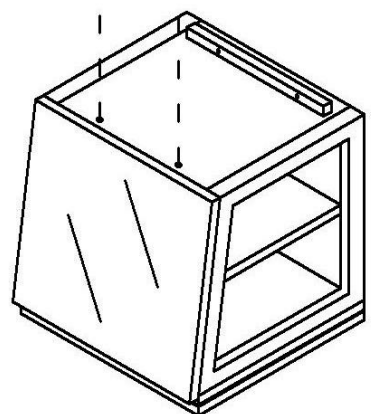
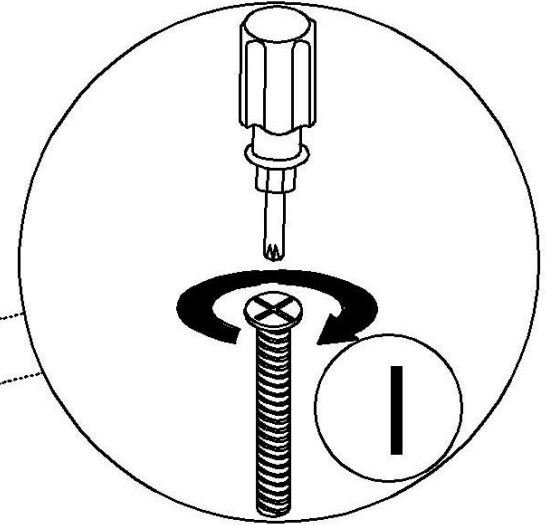
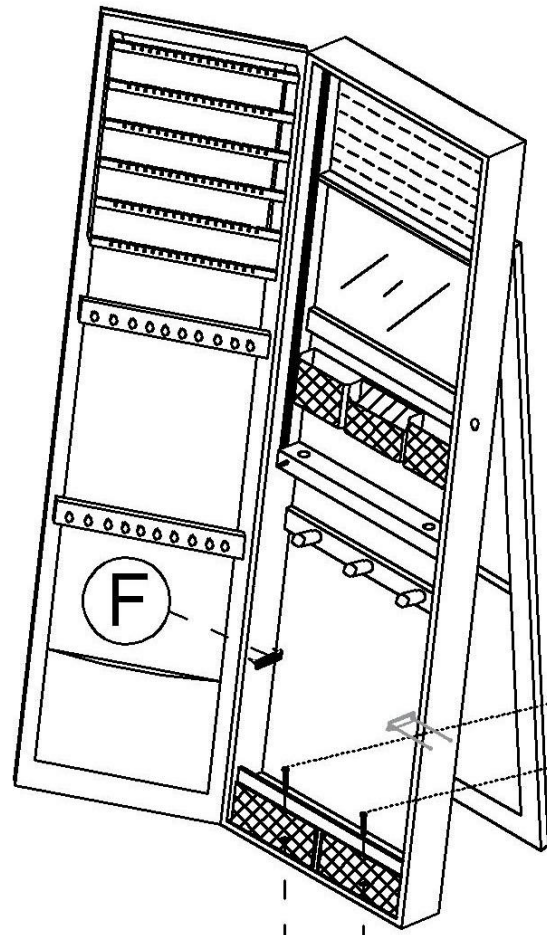
Step 6

I  (6*30mm) **X 2**




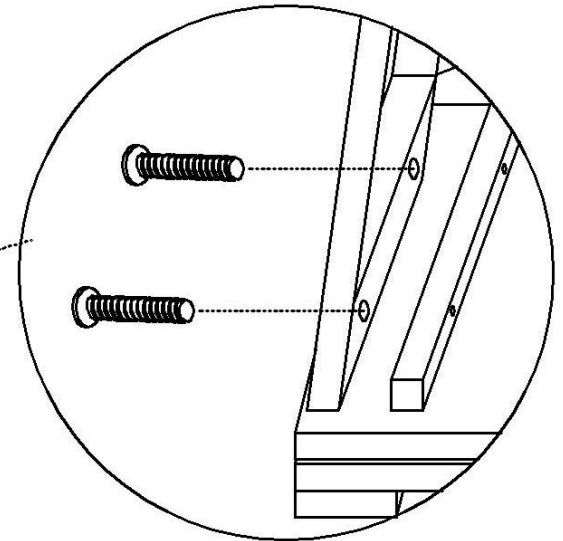
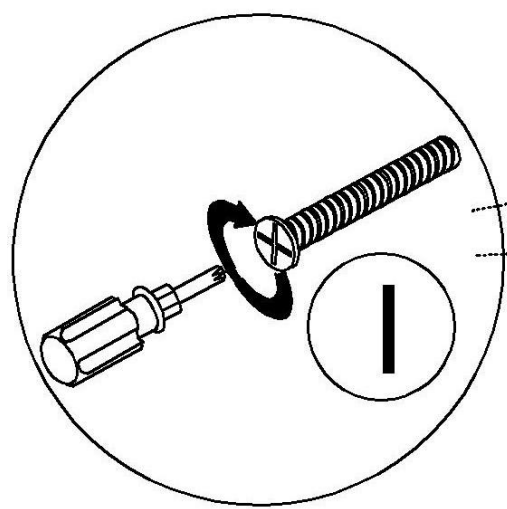
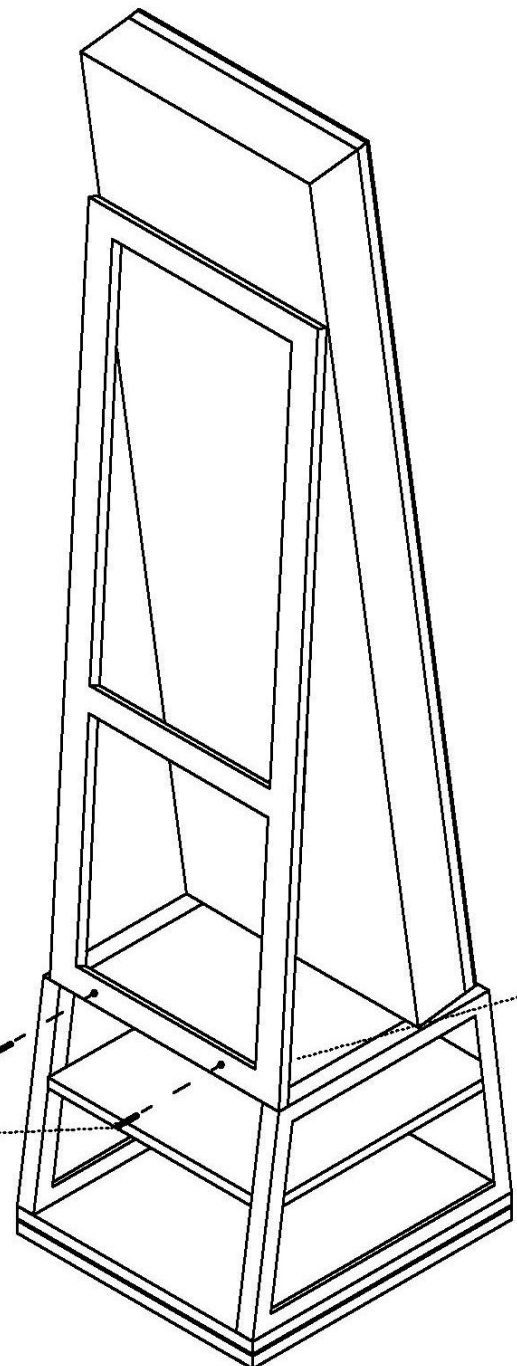
Step 7

Ⓛ	 (6*30mm) x 2
ⓕ	 x 2

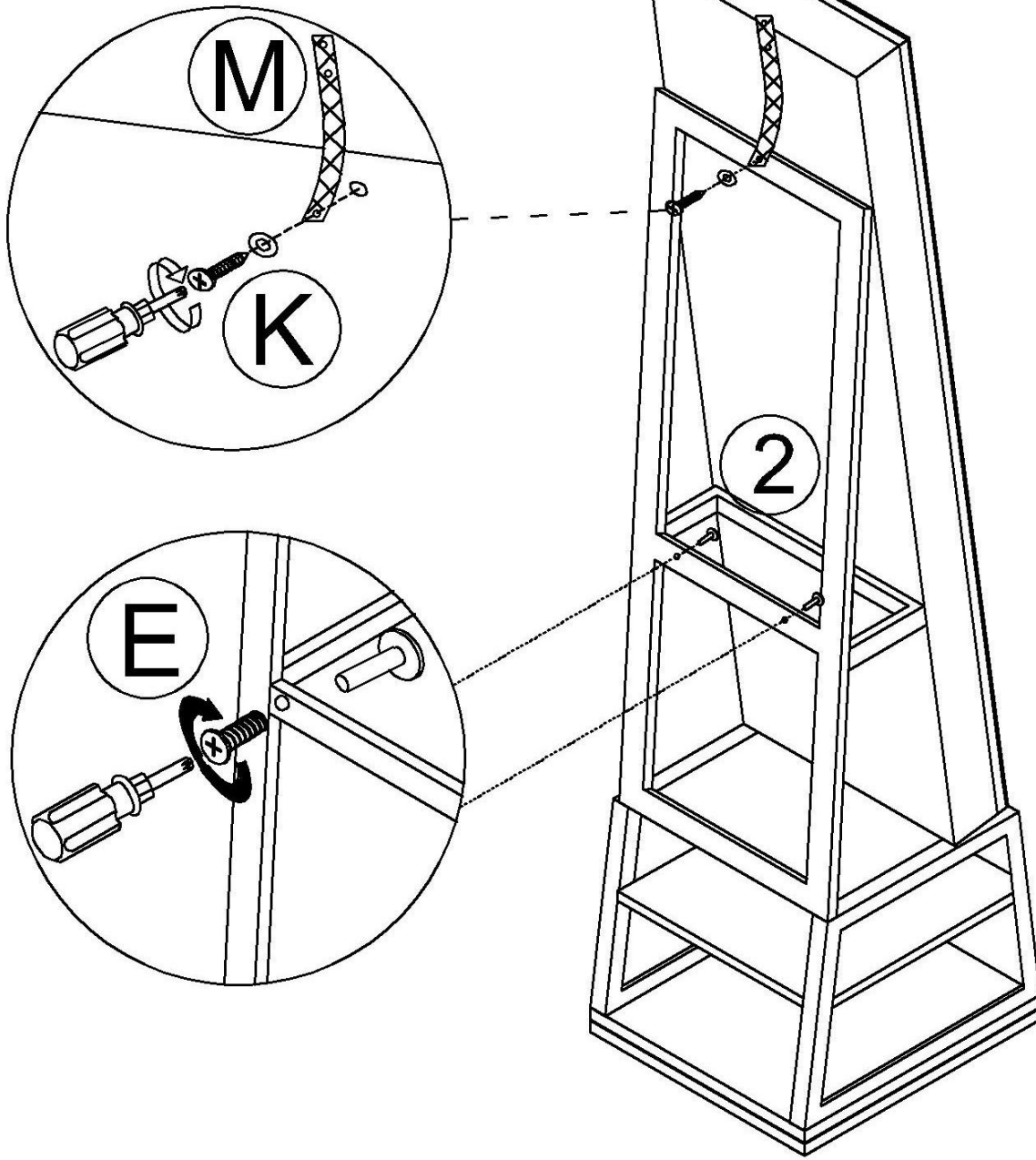


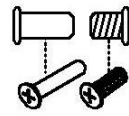


Step 8

Ⓛ	 (6*30mm) x 2
---	--



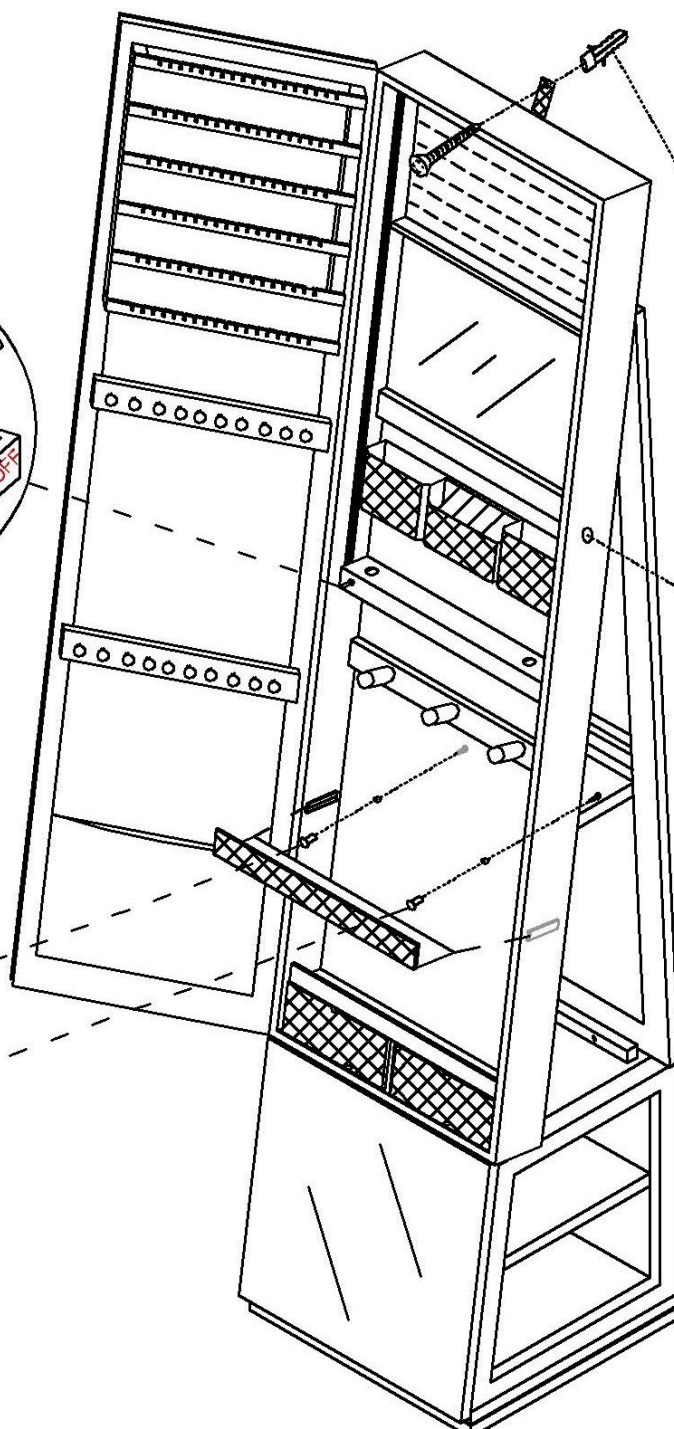
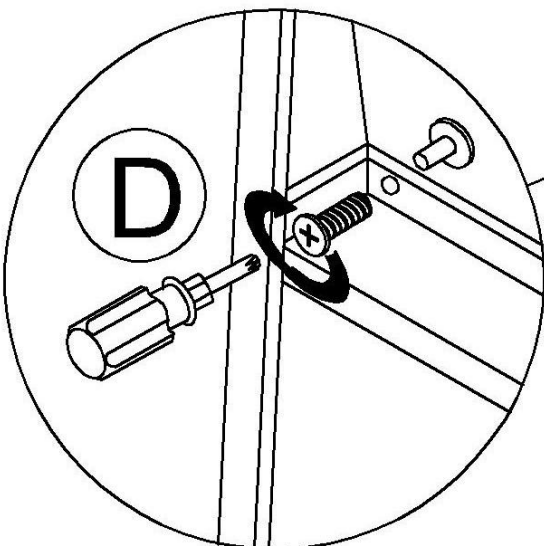
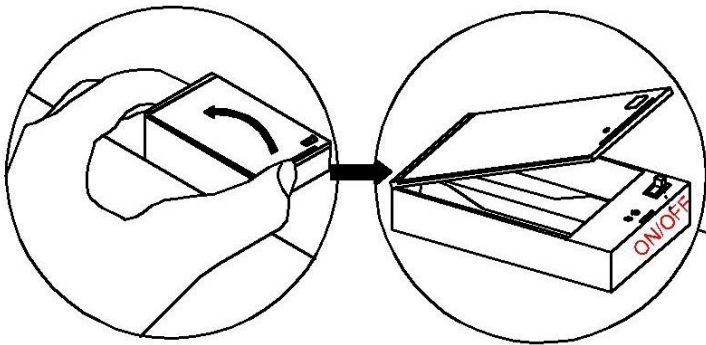
Step 9

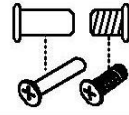





(E)	 (5*20mm) x 2
(K)	 x 1
(M)	 x 1

Step 10

Battery installation
(Tip: use 3 AA Batteries)



(D)	 (5*8mm) x 2
(C)	 x 1
(G)	 x 1
(L)	 x 1

