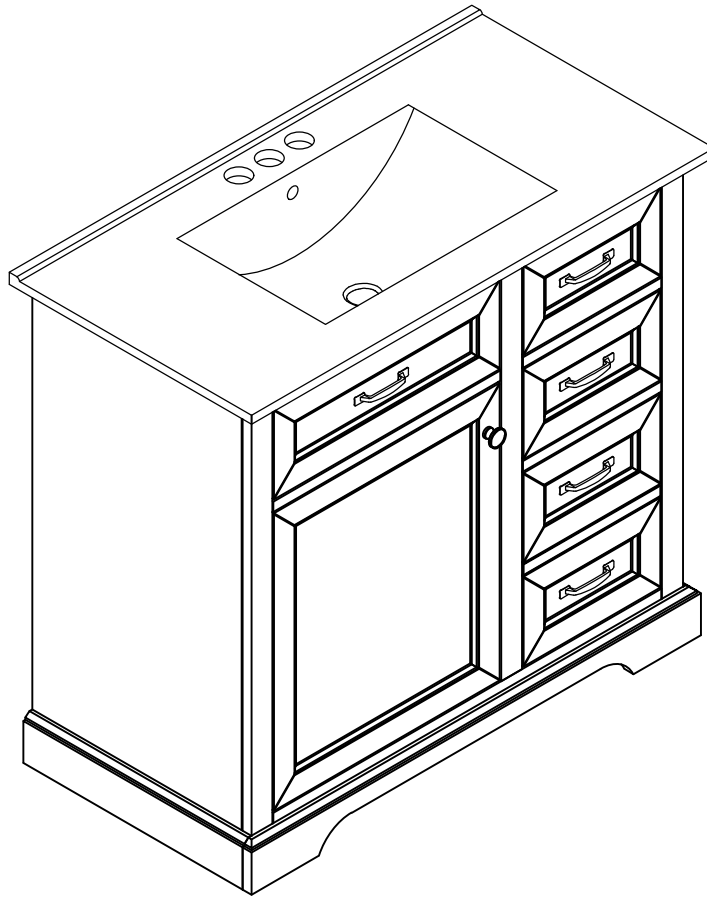


ASSEMBLY INSTRUCTIONS

36 INCH BATH VANITY-CABINET

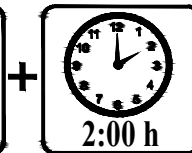
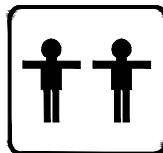
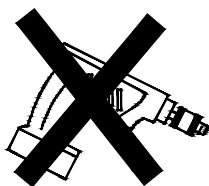


Thank you for purchasing this quality product. Be sure to check all pack material carefully for small parts which may have come loose inside the carton during shipment. Separate, identify and count all parts and hardware.

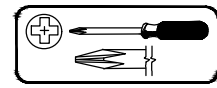
Compare with the parts list to be sure all parts are present.

"DO NOT TIGHTEN SCREWS UNTIL COMPLETELY ASSEMBLED"

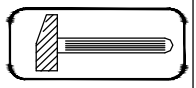
***Use of power tool to assemble this product will invalidate any claim and damage this product making unsafe !!!**
***Please assemble on a clean soft surface to avoid damage.**



Tools Required



(Not included)



(Not included)

IMPORTANT:

PLEASE READ INSTRUCTION BEFORE STARTING THE ASSEMBLY

PLEASE DO NOT RETURN TO STORE



**Please do not return this product to the retailer!!
We are able to assist you in ANY way**

If you find that you have any trouble with assembly or missing or damaged parts please contact the seller.

1. Note: This is not a clothing storage cabinet and it is not recommended to use it as a clothing storage cabinet.
2. All cabinets come with TRD, stainless steel or our "L-Bracket "when shipped.

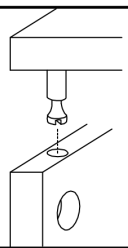
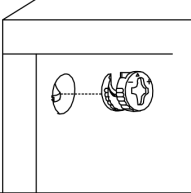
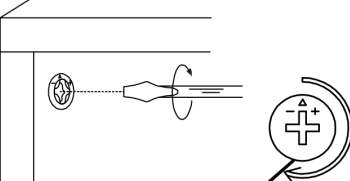
Before Installation

Important – Please read these instructions fully before starting assembly

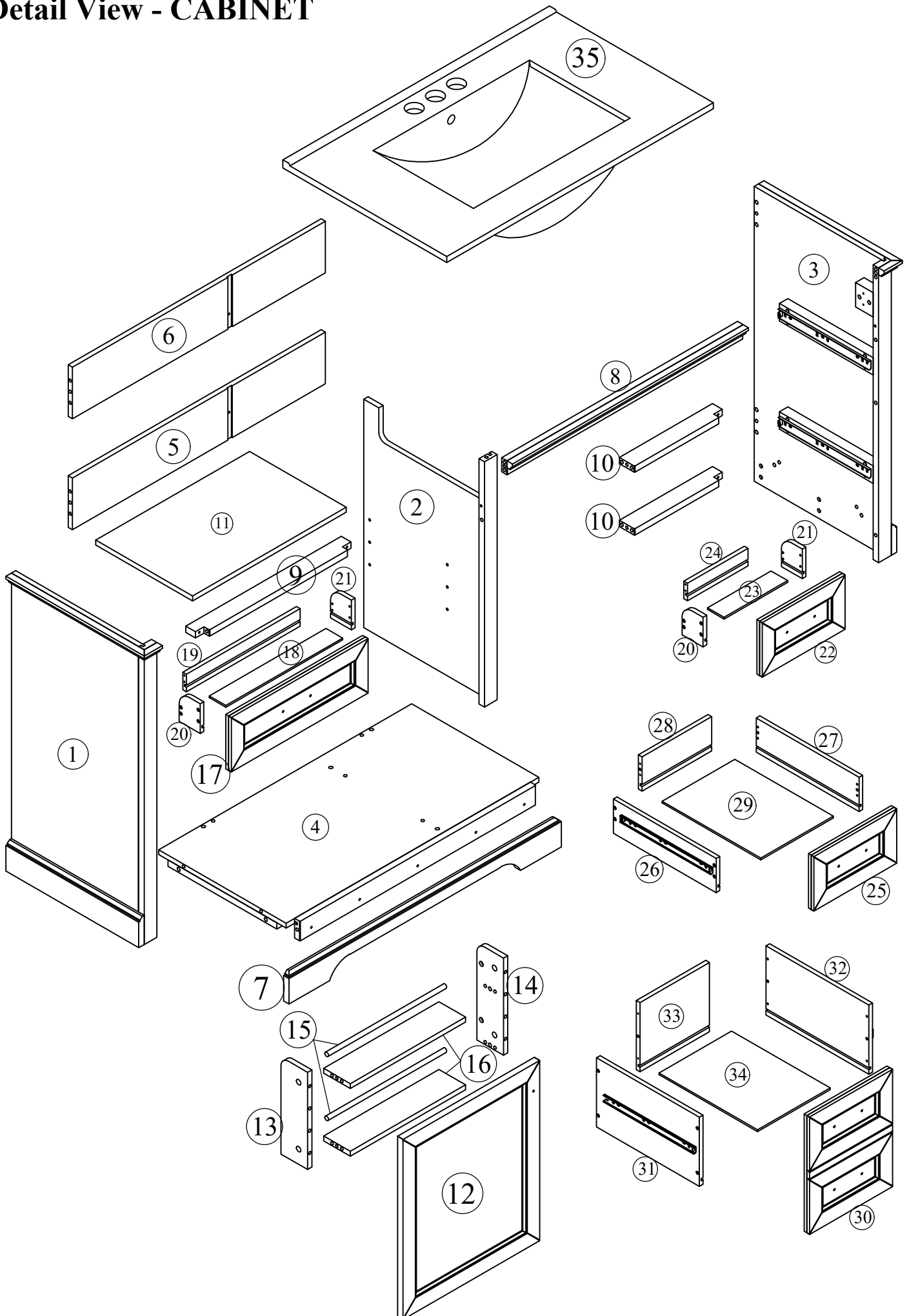
Thank you for purchasing this quality product. Be sure to check all packing materials carefully for small parts, which may have come loose inside the carton during shipment. Identify and count all items according to the PARTS LIST and/or HARDWARE LIST shown below. Check you have all the components and tools listed on the following pages.

- We recommend that you assemble this product with the assistance of another person; this will make the assembly easier, and will help eliminate damage to the product or injury to persons during assembly.
- Please do not over tighten screws or bolts until the assembly is completed.
- Keep children and animal away from the work area, small parts could choke if swallowed.
- Please put all parts on a non-abrasive floor before assembly, and follow the assembly steps to assemble your newly purchased product correctly and efficiently.

Cam Lock Assembly Instructions

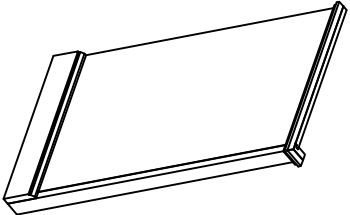
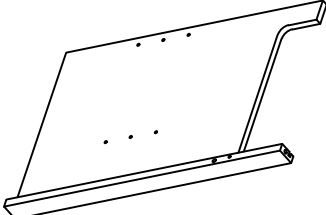
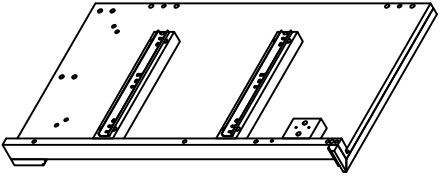
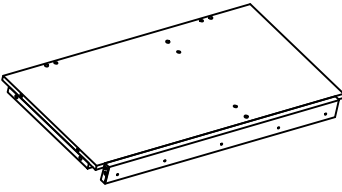
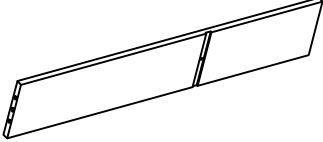
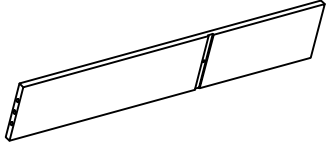


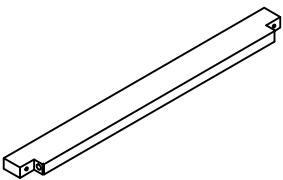
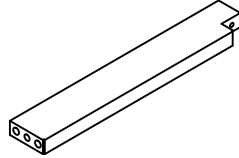
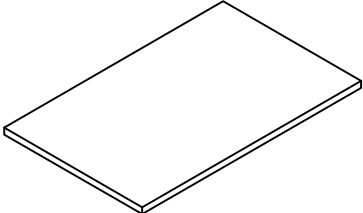
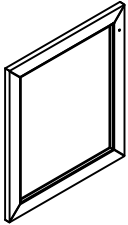

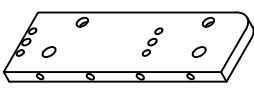
		Diagram A Insert Cam Bolt into hole as shown in diagram A.
		Diagram B Make sure not to insert the Cam Bolt: Too deep as shown in figure B as this will cause the Cam Lock to be misaligned and unable to interlock properly.
		Diagram C Also avoid inserting the Cam Bolt too close to the surface of the hole as shown in figure C, as this will cause the Cam Lock to be too loose, and not interlock properly.
		Connect the panels together.
	ARROW SIGN	Insert the Cam Lock so the side opening fits over the head of the Cam Bolt.
		To tighten the Cam Lock, turn it clockwise on half a turn with a flat screwdriver. <i>*Do not use an automatic screwdriver as it may bend or break if too much power is imposed.</i>

Detail View - CABINET


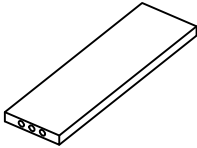
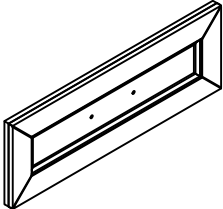
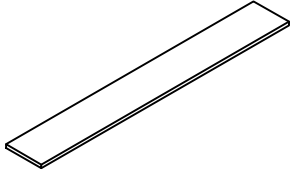
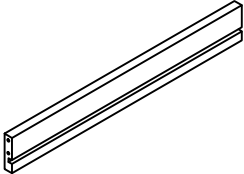
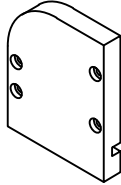
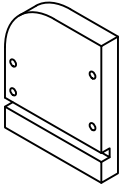
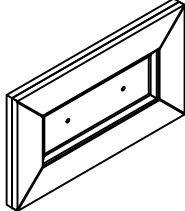
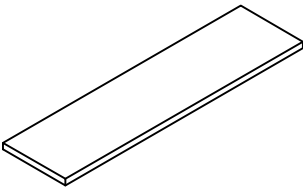
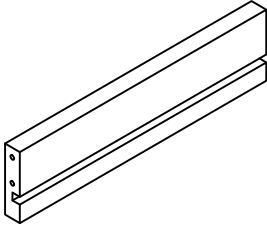
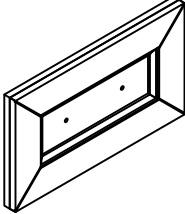
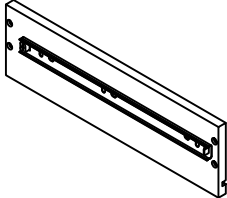
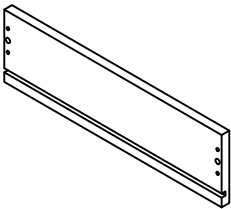
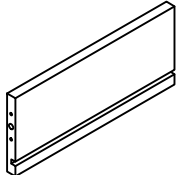


Identifying the Hardware - Identify the hardware using the illustrations below.

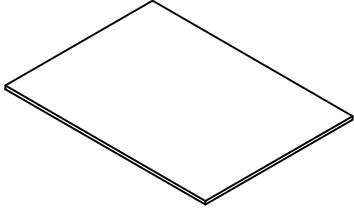
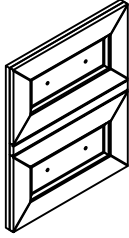
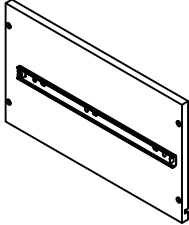
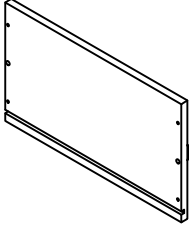
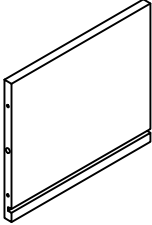
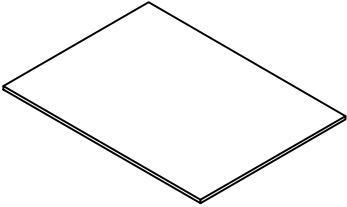
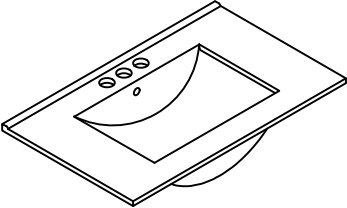
Part List-N759P313315

<p>1</p>  <p>Side Panel (L) - 1pc</p>	<p>2</p>  <p>Middle Panel-1pc</p>
<p>3</p>  <p>Side Panel (R)-1pc</p>	<p>4</p>  <p>Bottom Panel-1pc</p>
<p>5</p>  <p>Top Panel Rear-1pc</p>	<p>6</p>  <p>Bottom Panel Rear-1pc</p>
<p>7</p>  <p>Front Rail Bottom-1pc</p>	<p>8</p>  <p>Front Rail Top-1pc</p>
<p>9</p>  <p>Front Rail #1 - Middle-1pc</p>	<p>10</p>  <p>Front Rail #2 - Middle-2pcs</p>
<p>11</p>  <p>Shelf-1pc</p>	<p>12</p>  <p>Door-1pc</p>
<p>13</p>  <p>Door Side Panel (L)-1pc</p>	<p>14</p>  <p>Door Side Panel (R)-1pc</p>





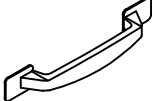

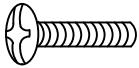
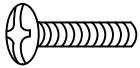
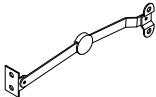
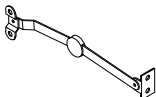
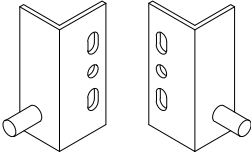

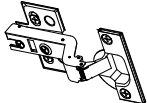

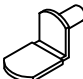




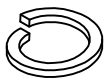

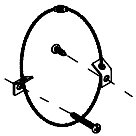
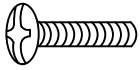
Part List-N759P313315

<p>15</p>  <p>Round Bar-2pcs</p>	<p>16</p>  <p>Door Shelf Panel-2pcs</p>
<p>17</p>  <p>Front Flip Down Box - Left-1</p>	<p>18</p>  <p>Bottom Flip down Box - Left-1pc</p>
<p>19</p>  <p>Back Flip down Box - Left-1pc</p>	<p>20</p>  <p>Sides Flip down Box (L)-2pcs</p>
<p>21</p>  <p>Sides Flip down Box (R)-2pcs</p>	<p>22</p>  <p>Front Flip down Box - Right-1pc</p>
<p>23</p>  <p>Bottom Flip down Box - Right-1pc</p>	<p>24</p>  <p>Back Flip down Box - Right-1pc</p>
<p>25</p>  <p>Front Drawer Panel - Top-1pc</p>	<p>26</p>  <p>Sides Drawer Panel - Top (L)-1pc</p>
<p>27</p>  <p>Sides Drawer Panel - Top (R)-1pc</p>	<p>28</p>  <p>Back Drawer Panel - Top-1pc</p>

Part List-N759P313315

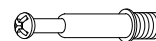
<p>29</p>  <p>Bottom Drawer Panel - Top-1</p>	<p>30</p>  <p>Front Drawer Panel - Bottom-1pc</p>
<p>31</p>  <p>Sides Drawer Panel - Bottom (L)-1pc</p>	<p>32</p>  <p>Sides Drawer Panel - Bottom (R)-1</p>
<p>33</p>  <p>Back Drawer Panel - Bottom-1pc</p>	<p>34</p>  <p>Bottom Drawer Panel - Bottom-1pc</p>
<p>35</p>  <p>Sink-1pc</p>	

Hardware List-N759P313315

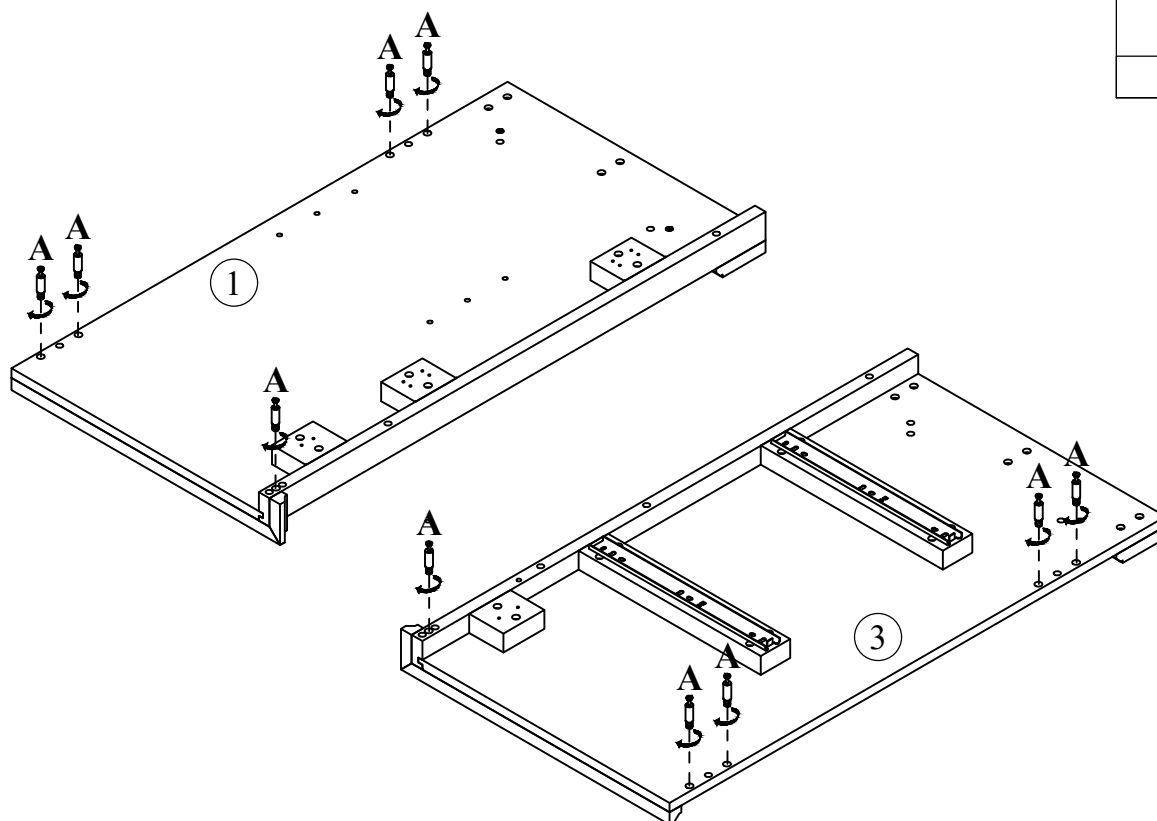
<p>A</p>  <p>ø6x35mm</p>	<p>B</p>  <p>ø14.5x12mm</p>	<p>C</p>  <p>ø8xø4x25mm</p>
<p>Three in one bolts - 25pcs Three in one lock - 25pcs Round head screw - 5pcs</p>		
<p>D</p>  <p>ø8xø4x32mm</p>	<p>E</p> 	<p>F</p> 
<p>Round head screw - 38pcs Handle (5pcs) Handle (1pc)</p>		
<p>G</p>  <p>ø5/32"x25mm</p>	<p>H</p>  <p>ø5/32"x28mm</p>	<p>I</p> 
<p>Handle screw - 8pcs Handle screw - 1pc Duo Forte (L) - 1pc</p>		
<p>J</p> 	<p>K</p> 	<p>L</p>  <p>ø6xø3x12mm</p>
<p>Duo Forte (R) - 1pc Rotary Hinge(L/R)- 4pcs Round head screw(16pcs)</p>		
<p>M</p> 	<p>N</p>  <p>ø7xø3.5x12mm</p>	<p>O</p> 
<p>Damping hinge - 2pcs Flat head screw - 12pcs Laminate pad - 4pcs</p>		
<p>P</p>  <p>ø6x30mm</p>	<p>Q</p>  <p>ø8x30mm</p>	<p>R</p>  <p>ø13x1/4"x30mm</p>
<p>Wood dowel - 8pcs Wood dowel - 38pcs Hex-Head bolts-4pcs</p>		
<p>S</p>  <p>ø1/4"x16x1mm</p>	<p>T</p>  <p>ø1/4"x10x1.2mm</p>	<p>U</p>  <p>4mm</p>
<p>Washer-4pcs Lock Washer - 4pcs Allen key - 1pc</p>		
<p>V</p> 	<p>W</p>  <p>ø5/32"x15mm</p>	
<p>Anti fall hardware (2sets) Handle screw - 2pcs</p>		

STEP: 1

A

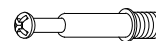


10PCS

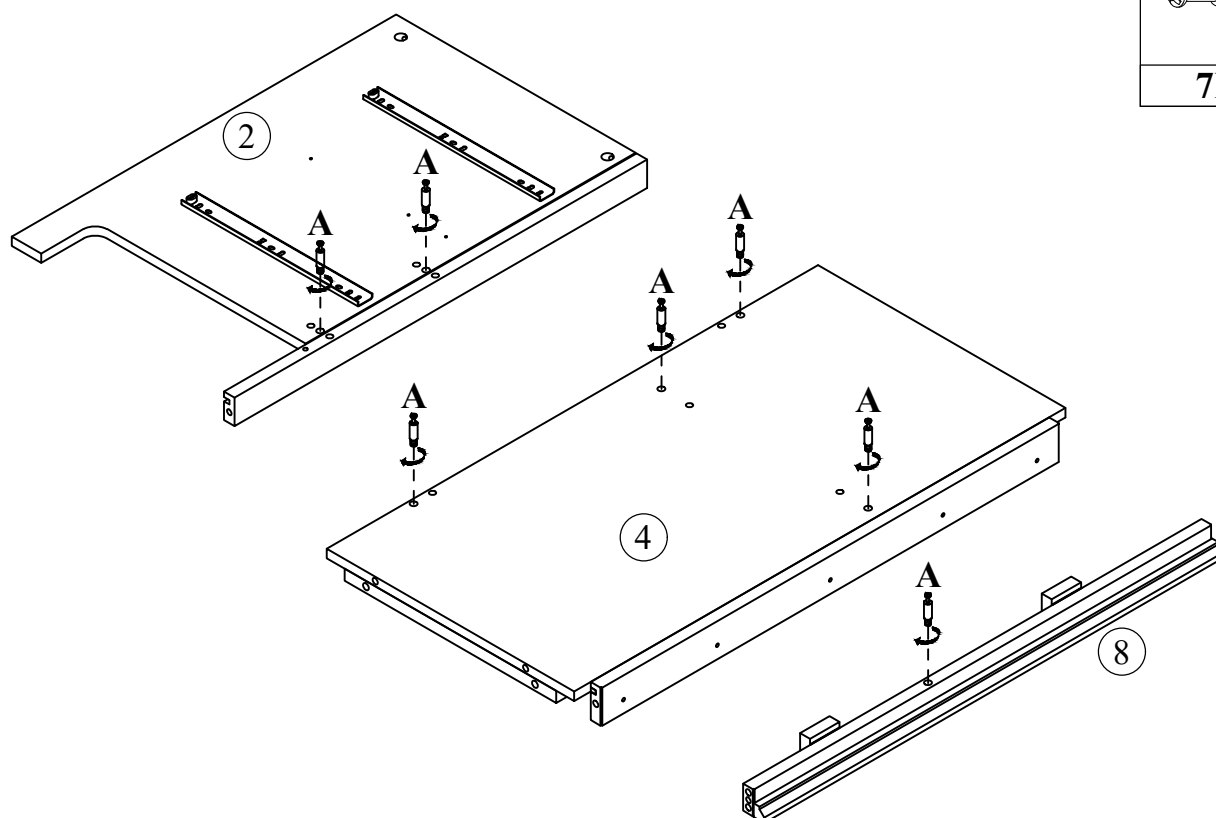


STEP: 2

A



7PCS

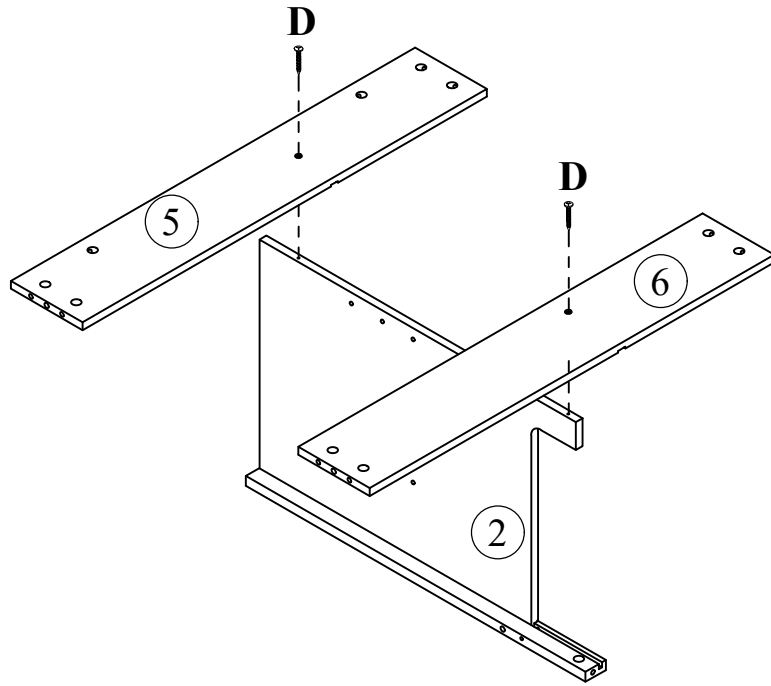


STEP: 3

D

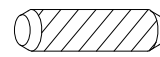


2PCS



STEP: 4

Q

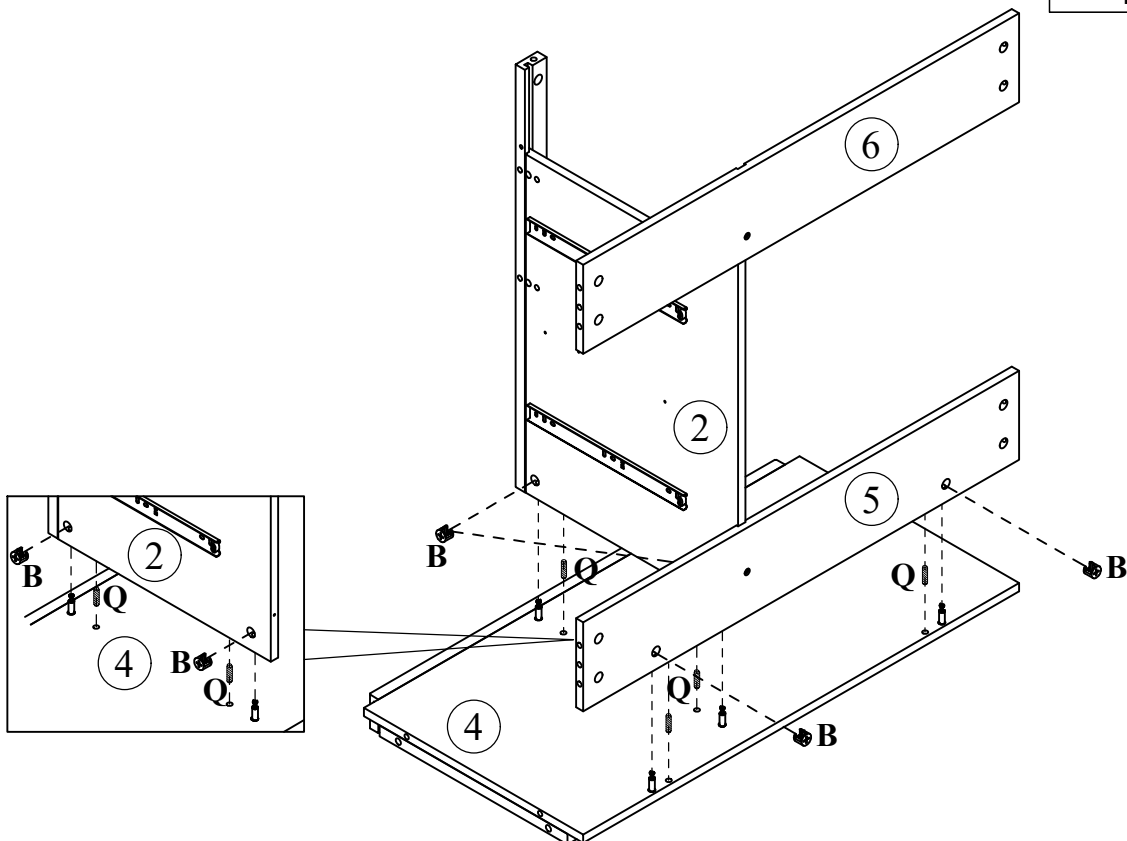


4PCS

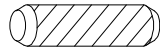

B

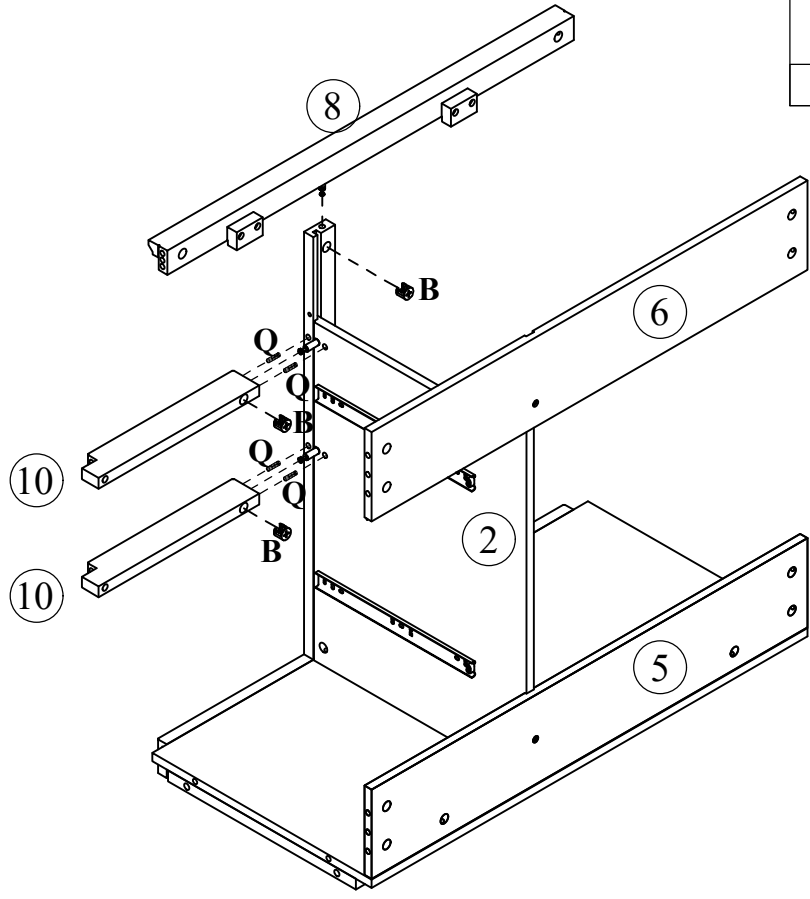


4PCS



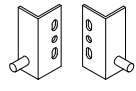
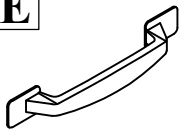
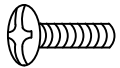


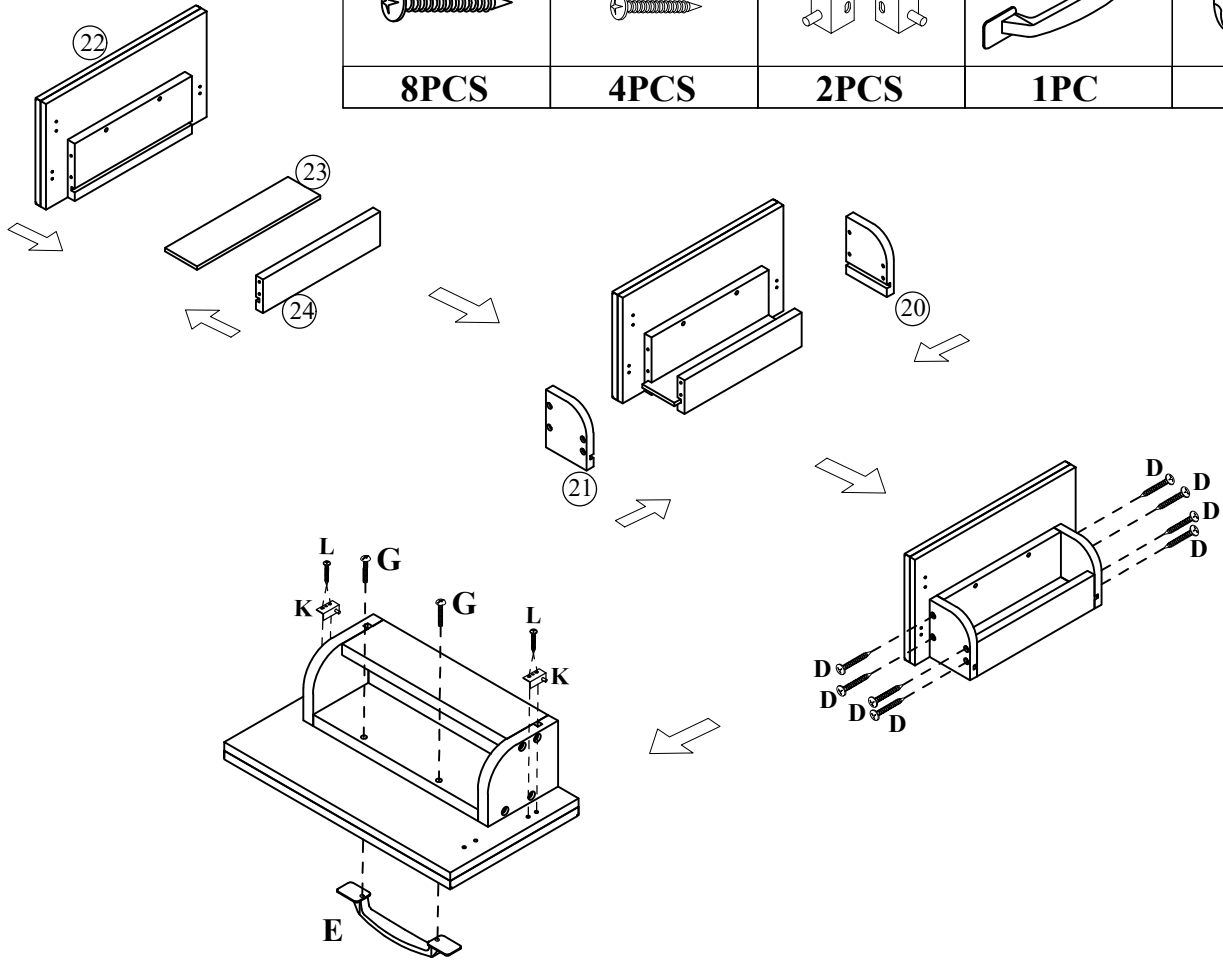
STEP: 5

Q	B
	
4PCS	3PCS



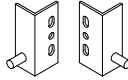
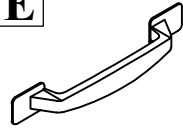
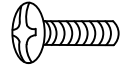


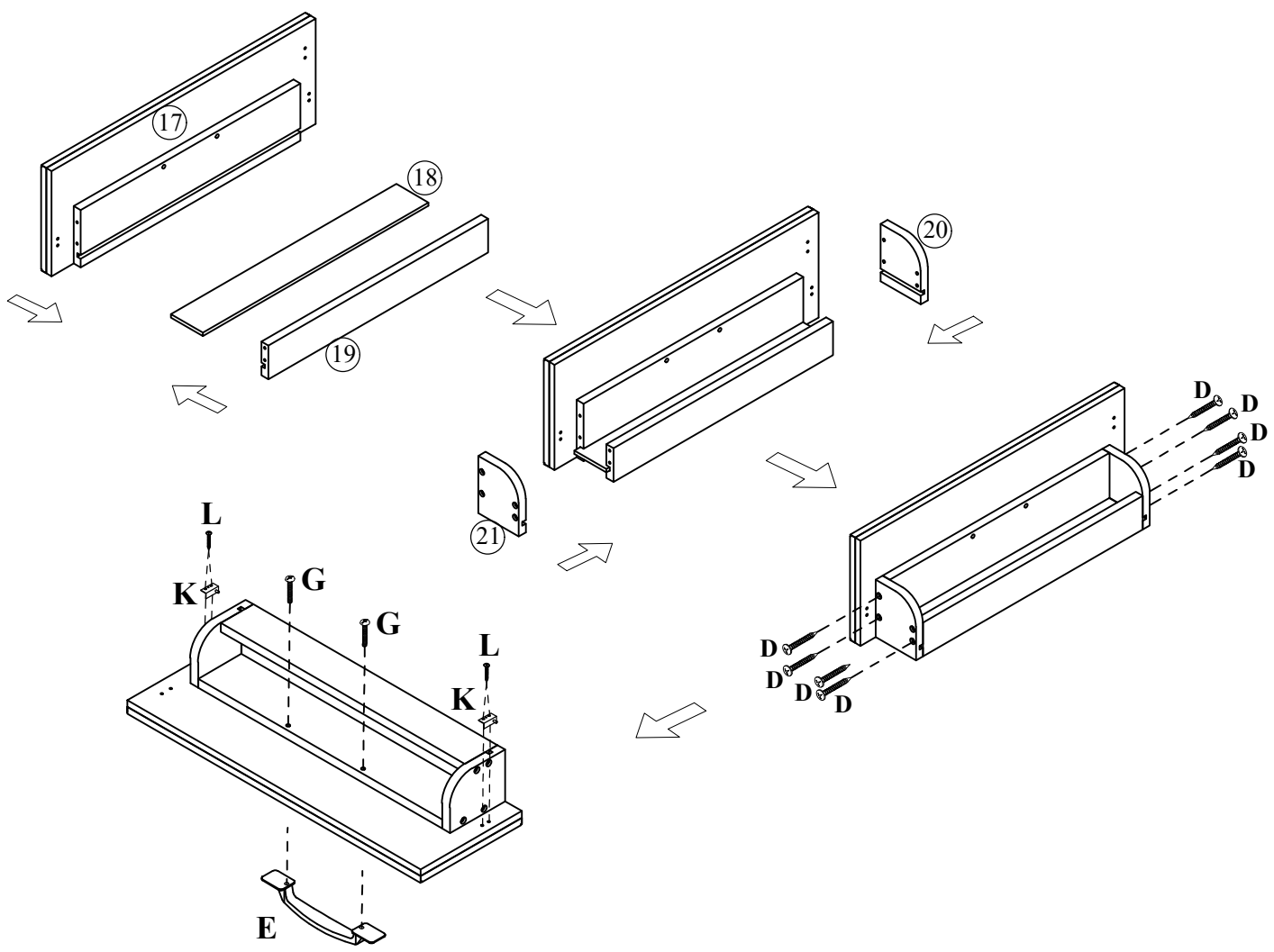
STEP: 6

D	L	K	E	G
				
8PCS	4PCS	2PCS	1PC	2PCS




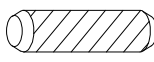





STEP: 7

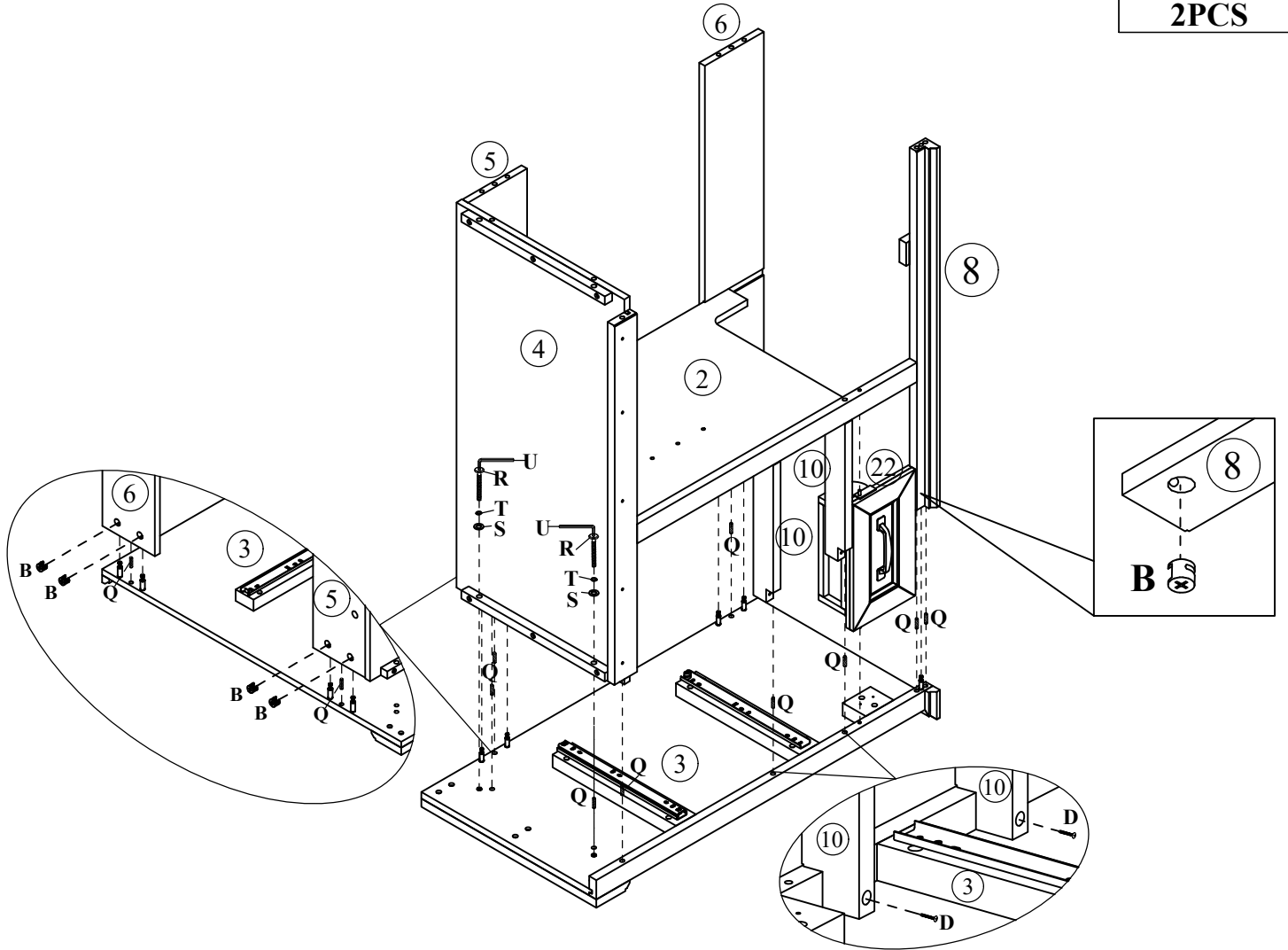
D	L	K	E	G
				
8PCS	4PCS	2PCS	1PC	2PCS






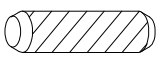


STEP: 8

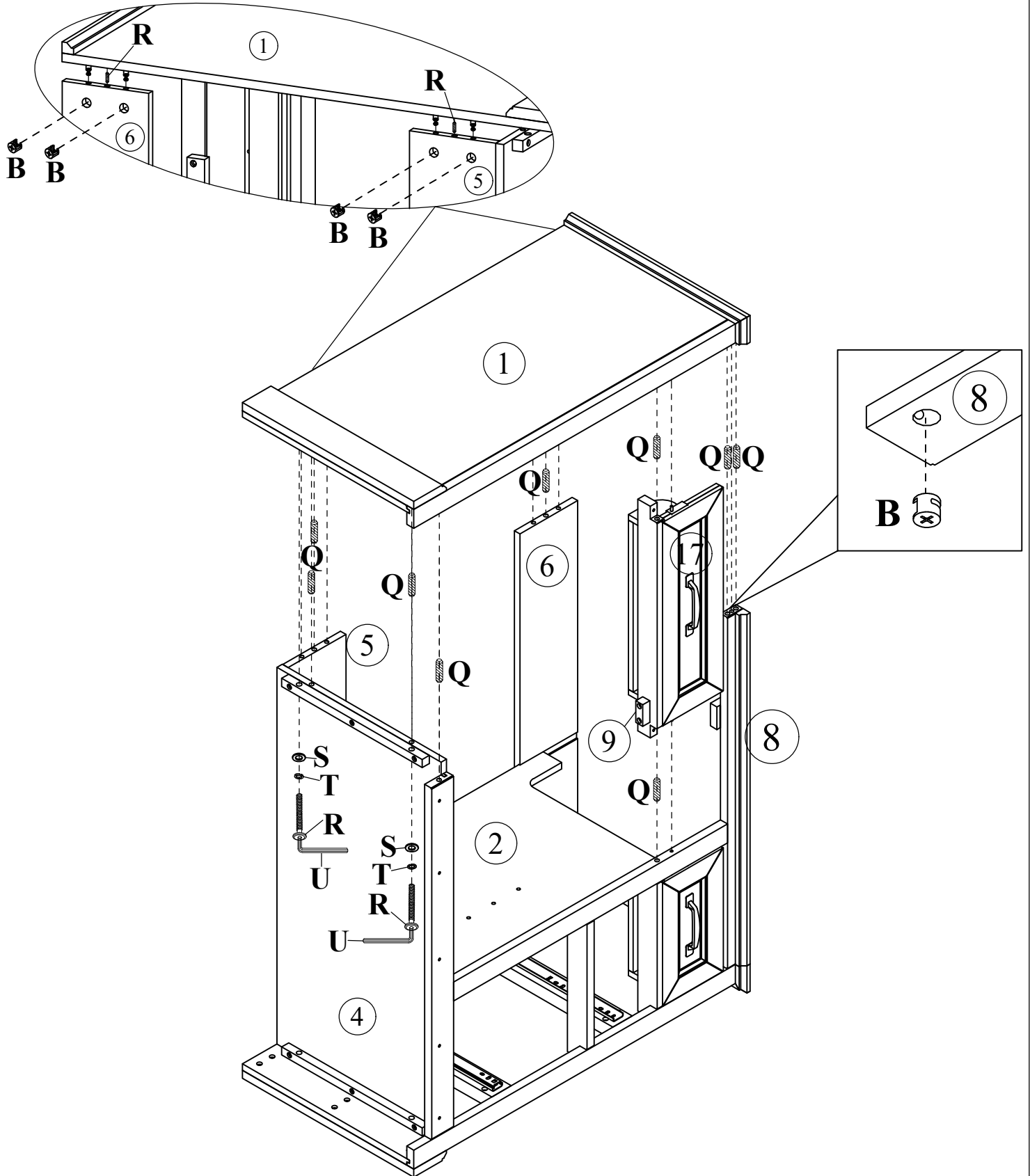
S		T		R		Q		B		U	
2PCS		2PCS		2PCS		9PCS		5PCS		1PC	

D	
2PCS	



STEP: 9

S		T		R		Q		B		U	
2PCS		2PCS		2PCS		9PCS		5PCS		1PC	

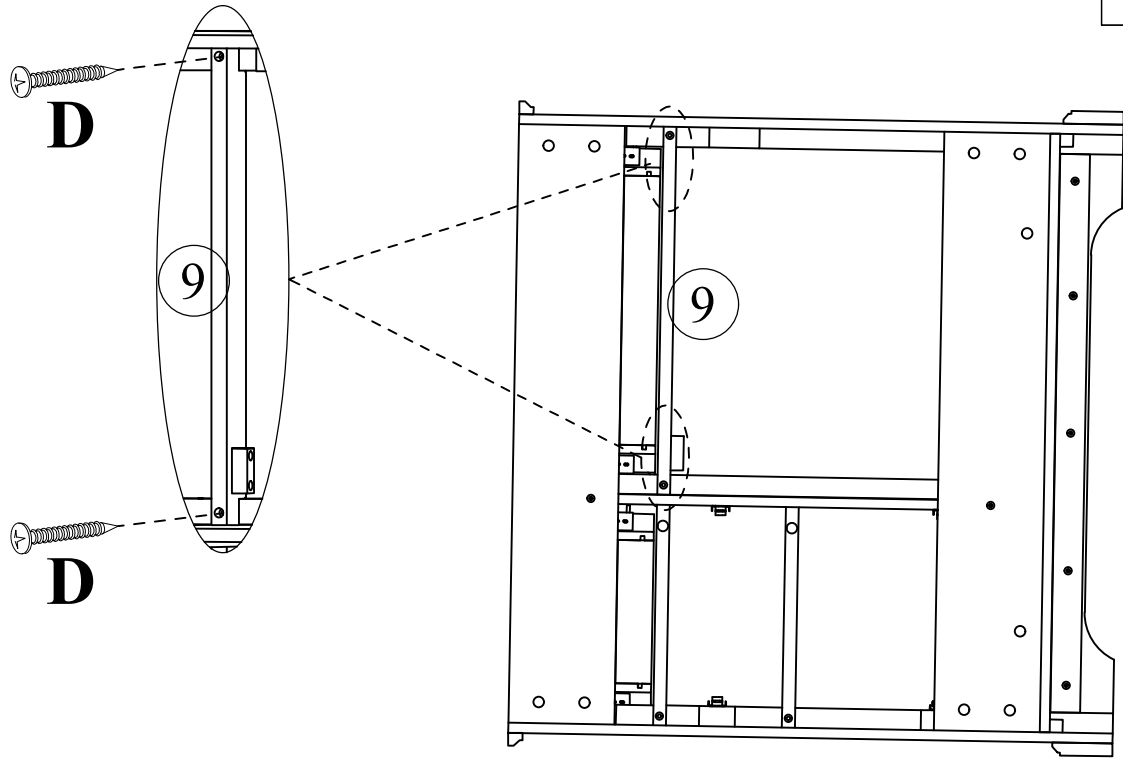


STEP: 10

D



2PCS

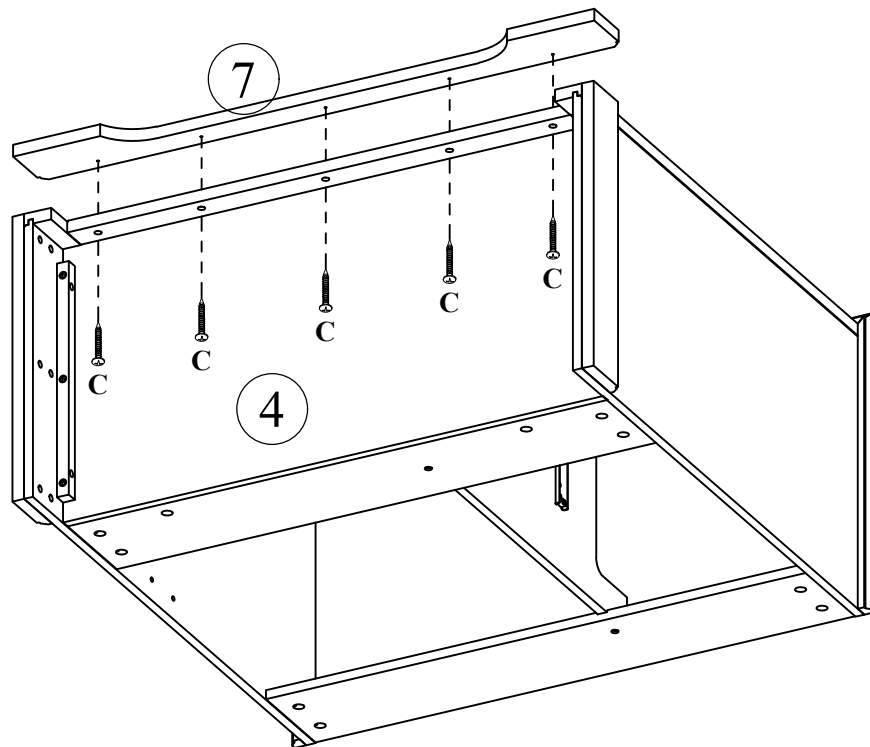


STEP: 11


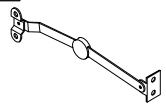
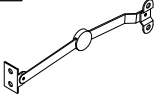
C

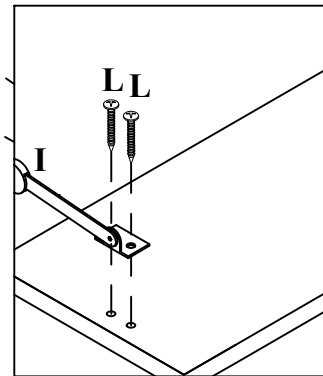
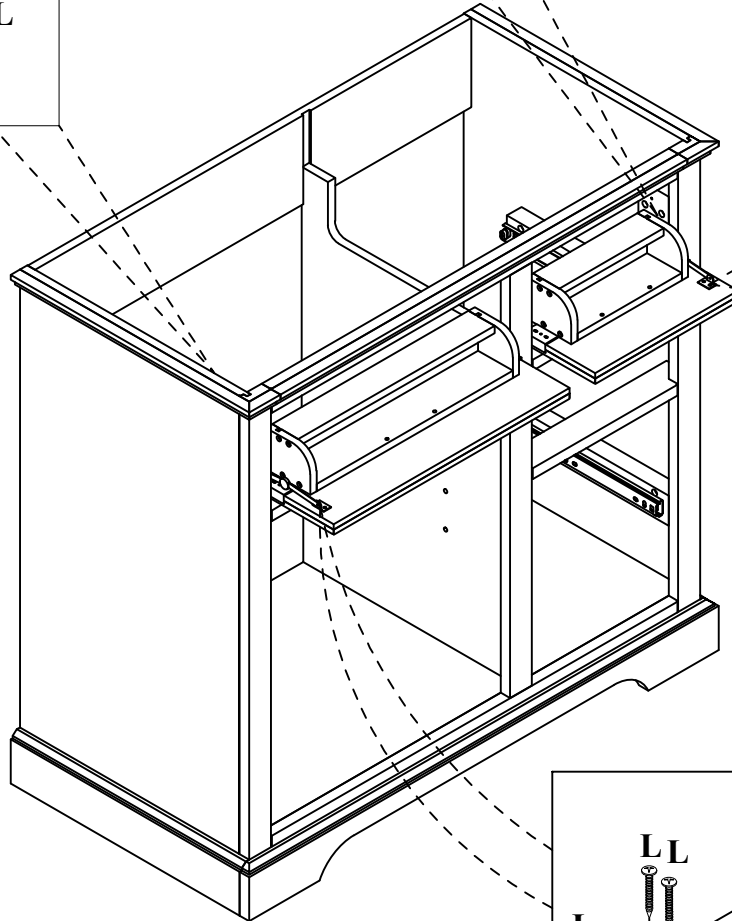
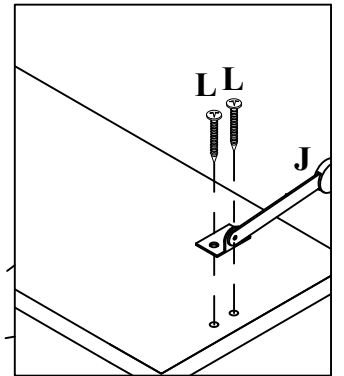
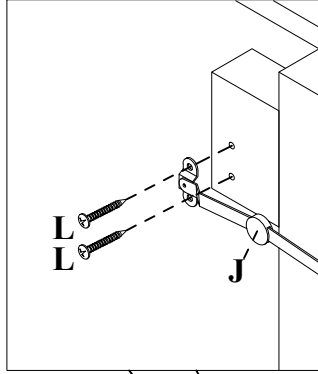
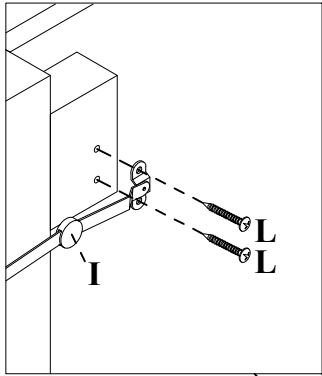


5PCS



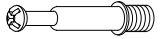
STEP: 12

L 	J 	I 
8PCS	1PC	1PC

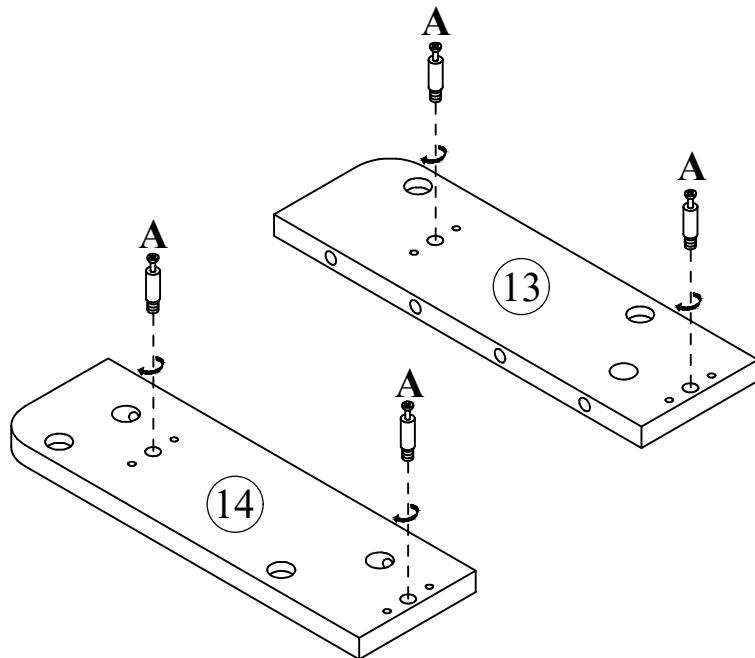
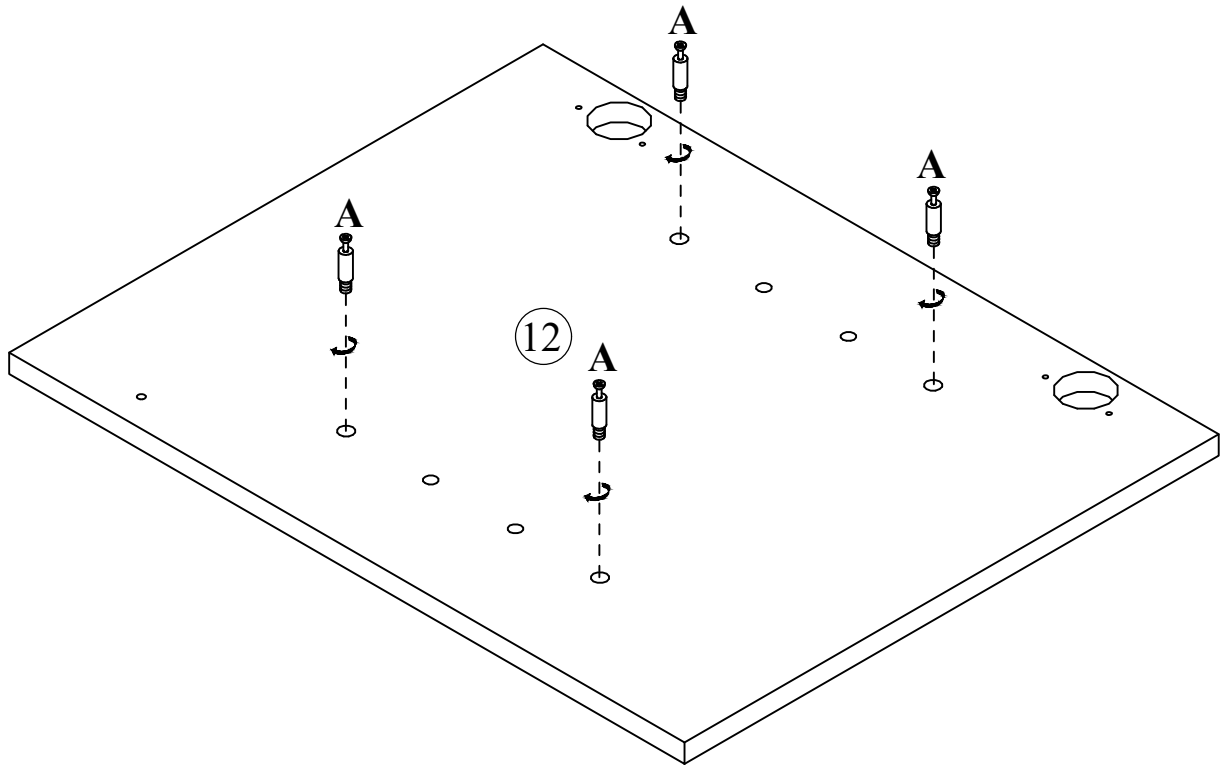


STEP: 13

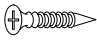
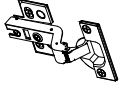
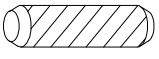

A

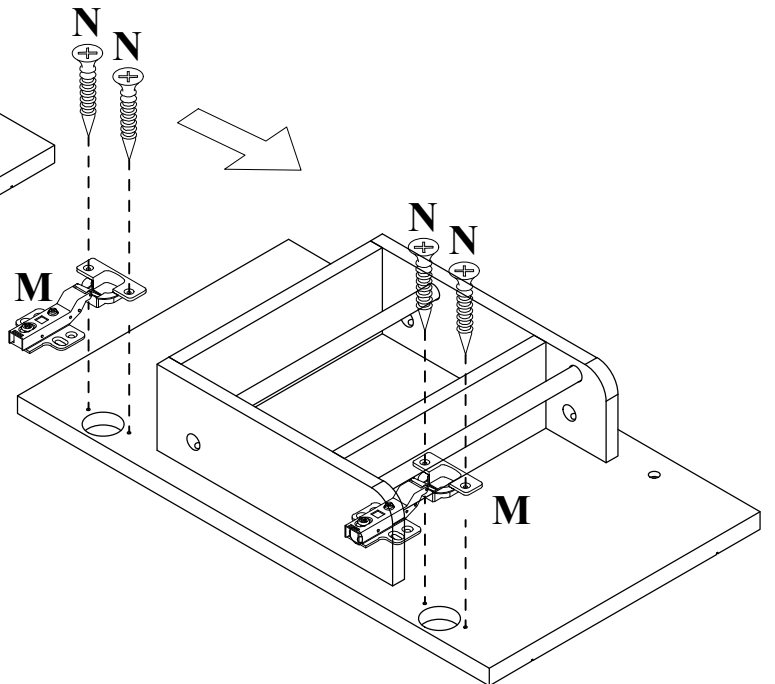
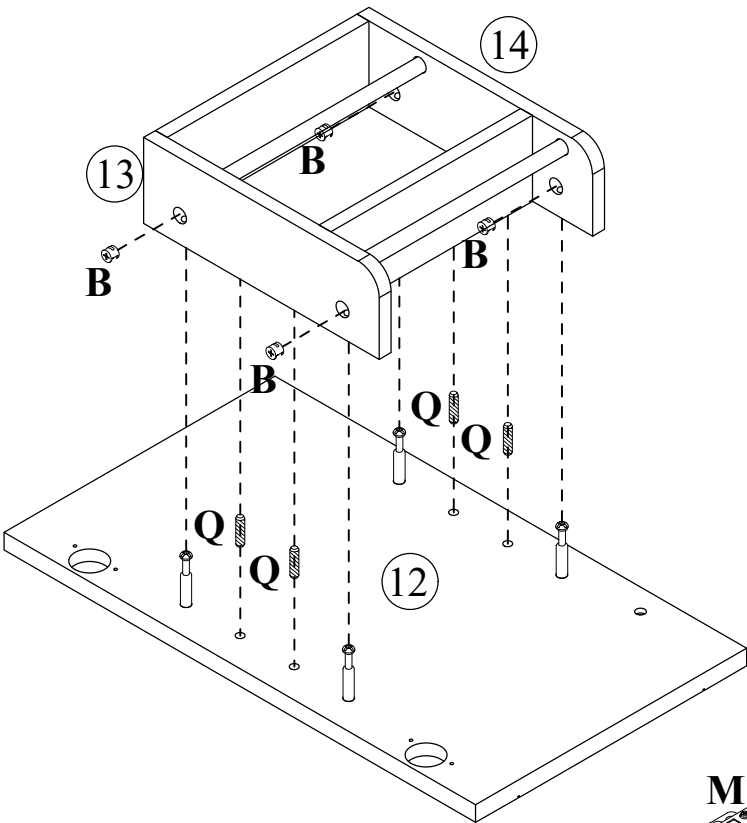
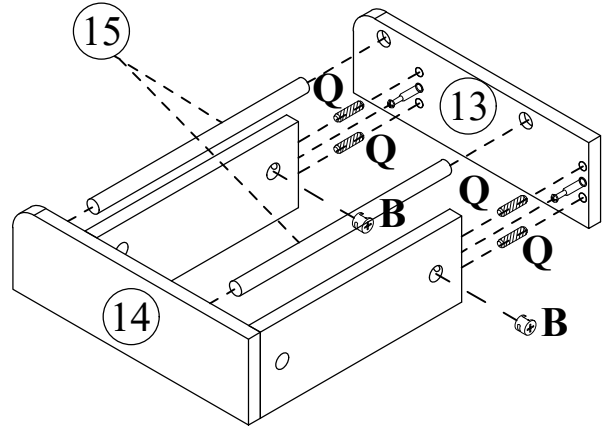
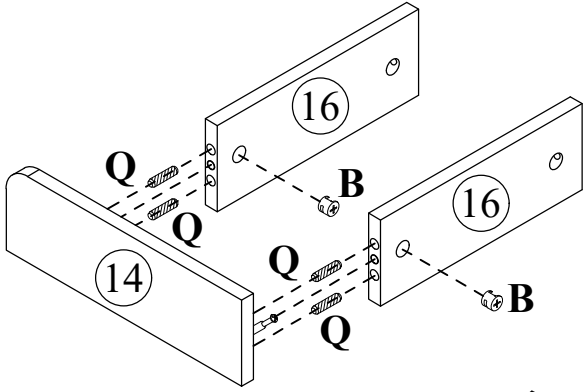


8PCS

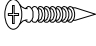

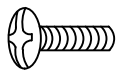


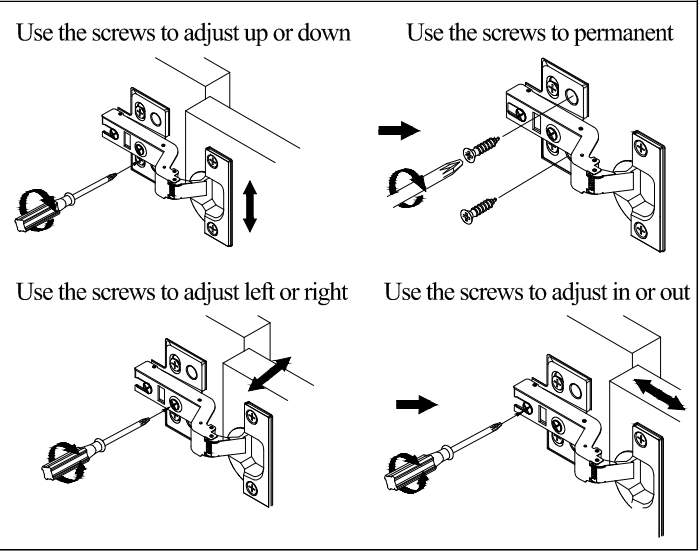
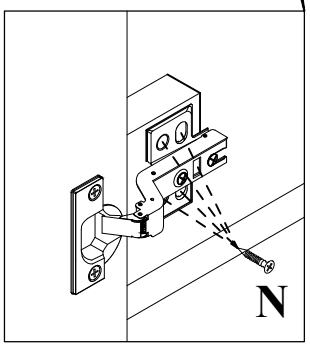
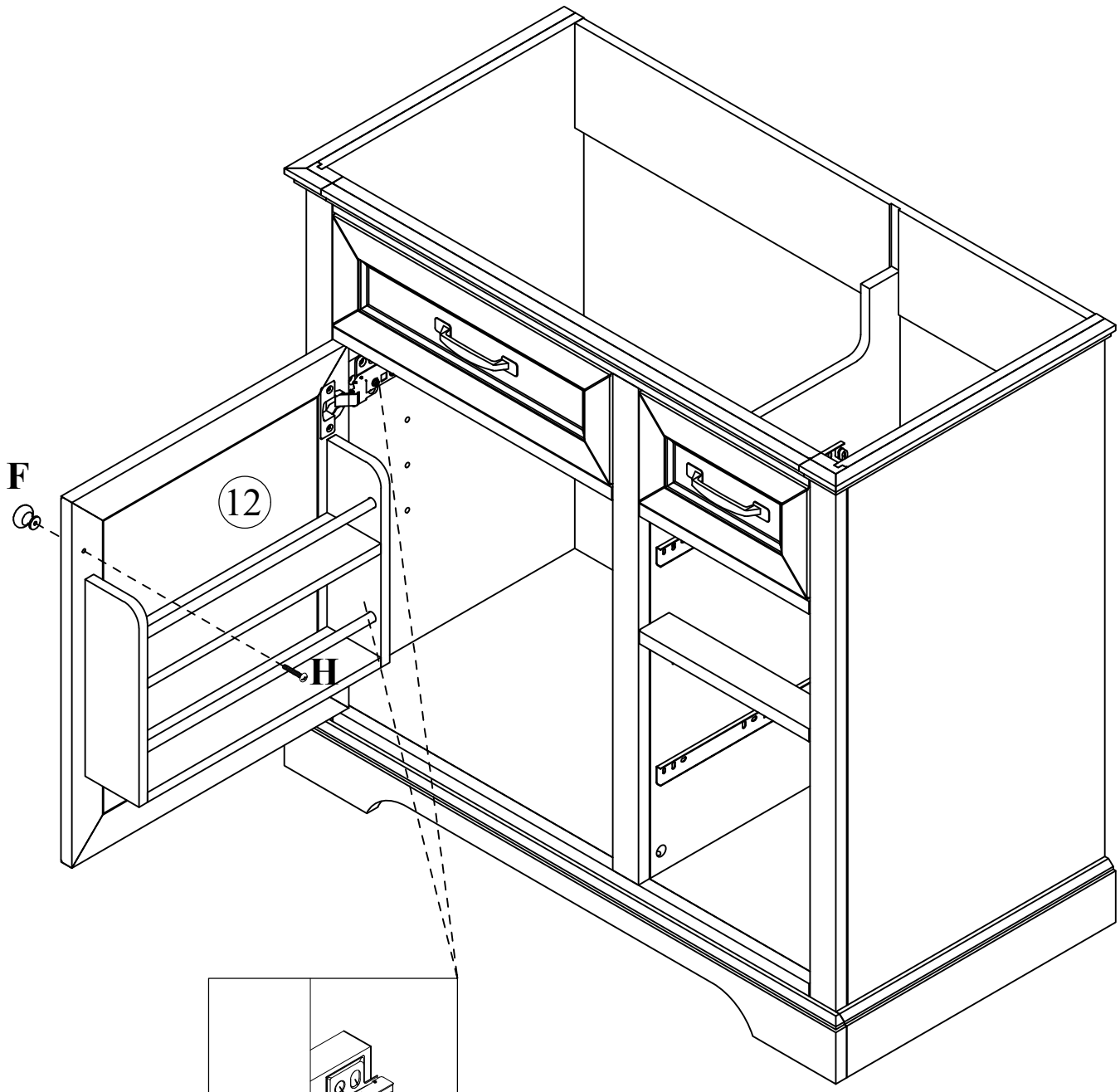
STEP: 14

N	M	Q	B
			
4PCS	2PCS	12PCS	8PCS




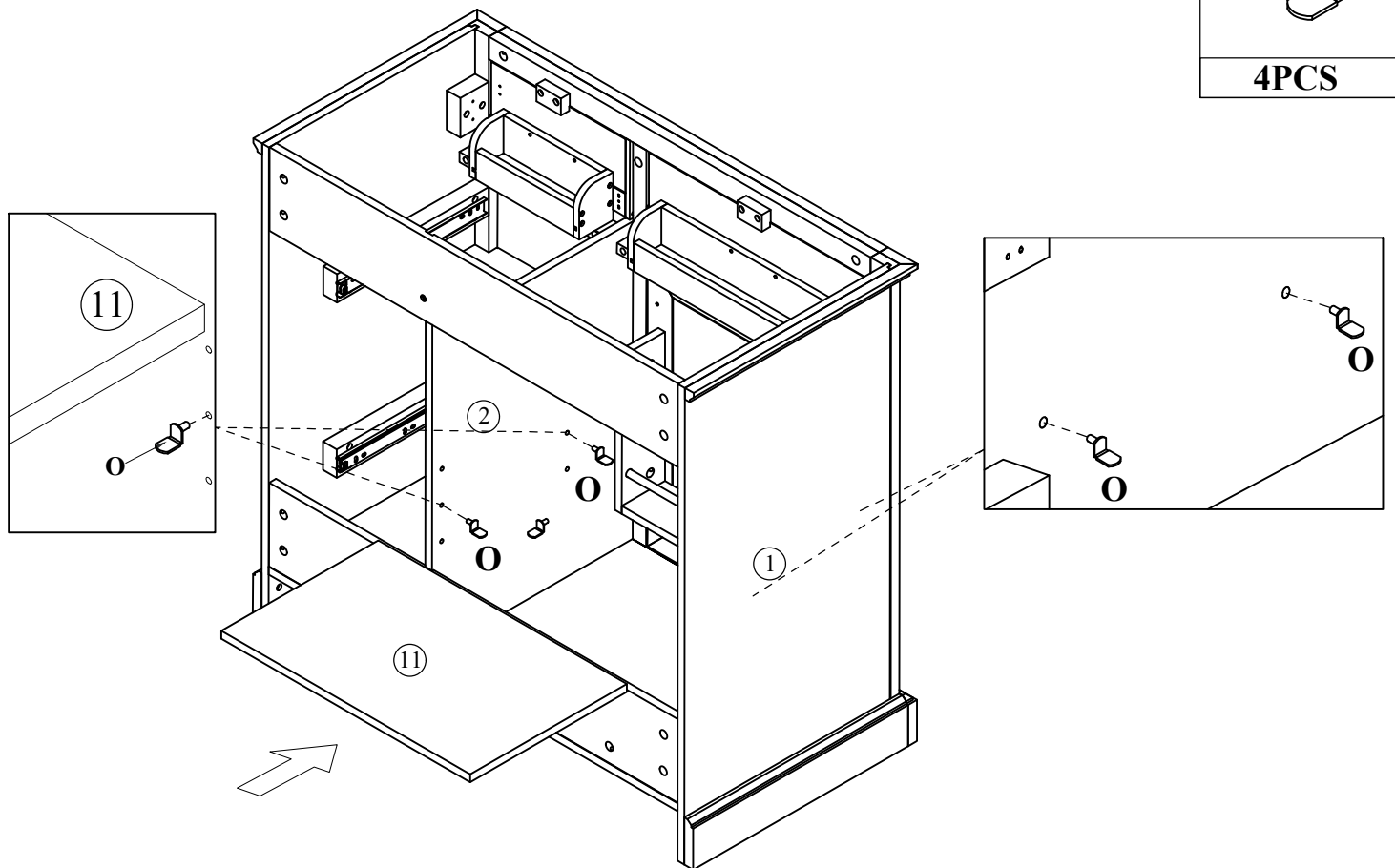
STEP: 15

N	F	H
		
8PCS	1PC	1PC

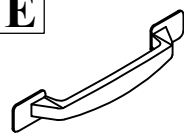
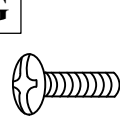
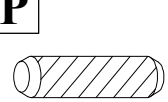



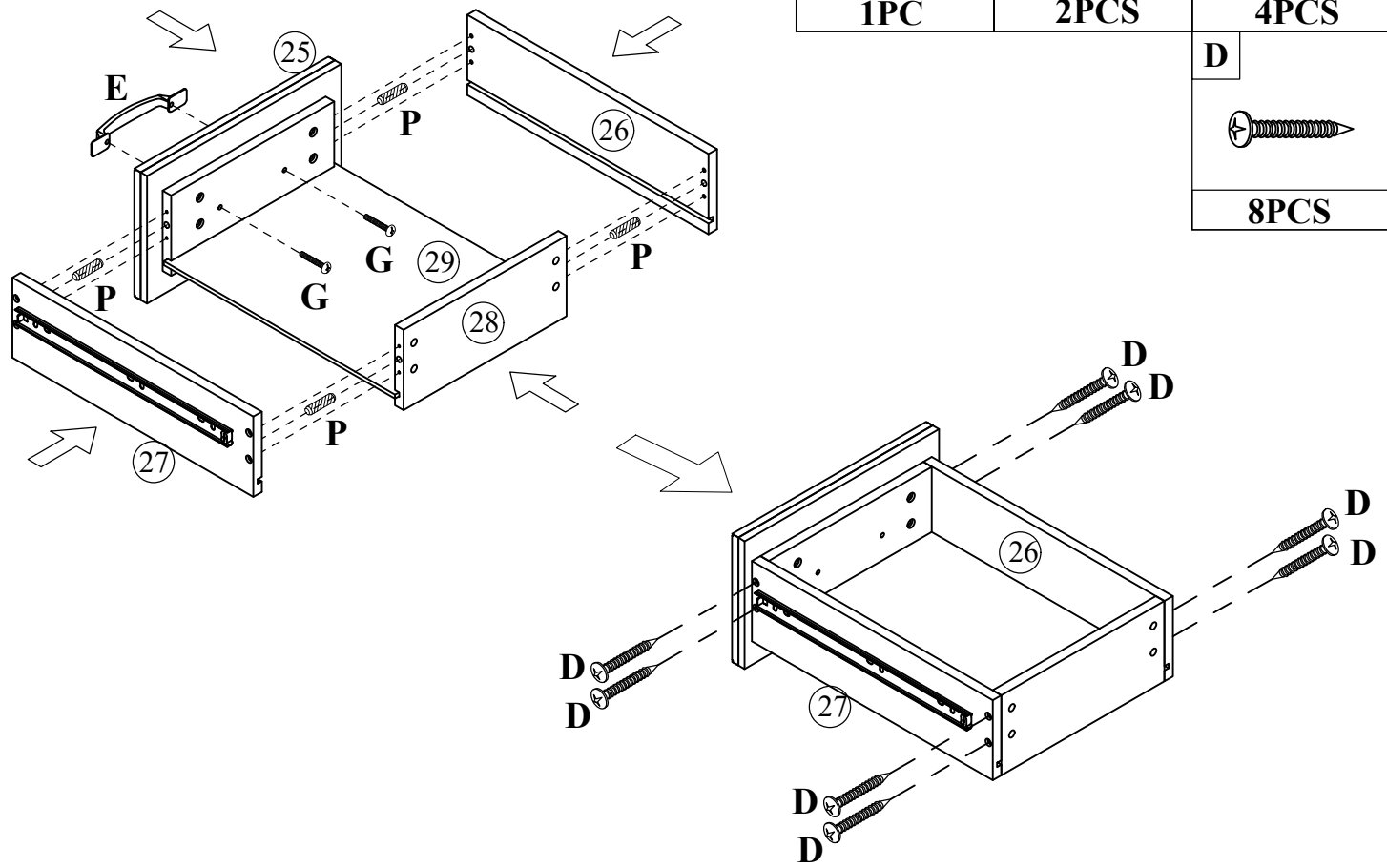
STEP: 16

O	
4PCS	


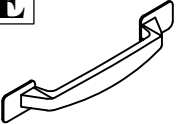
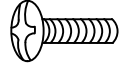
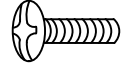



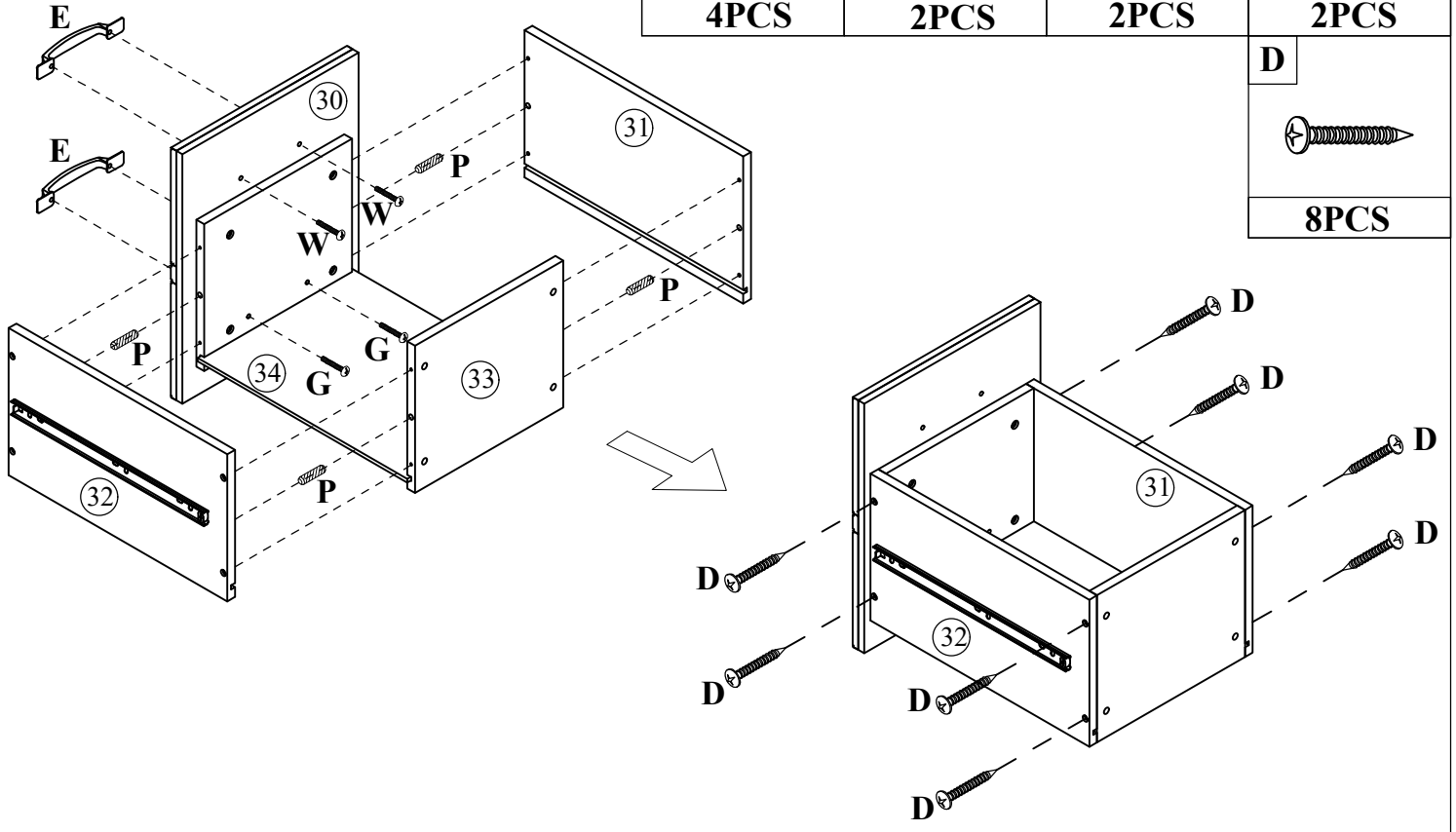
STEP: 17

E		G		P	
1PC		2PCS		4PCS	
D					
					
8PCS					

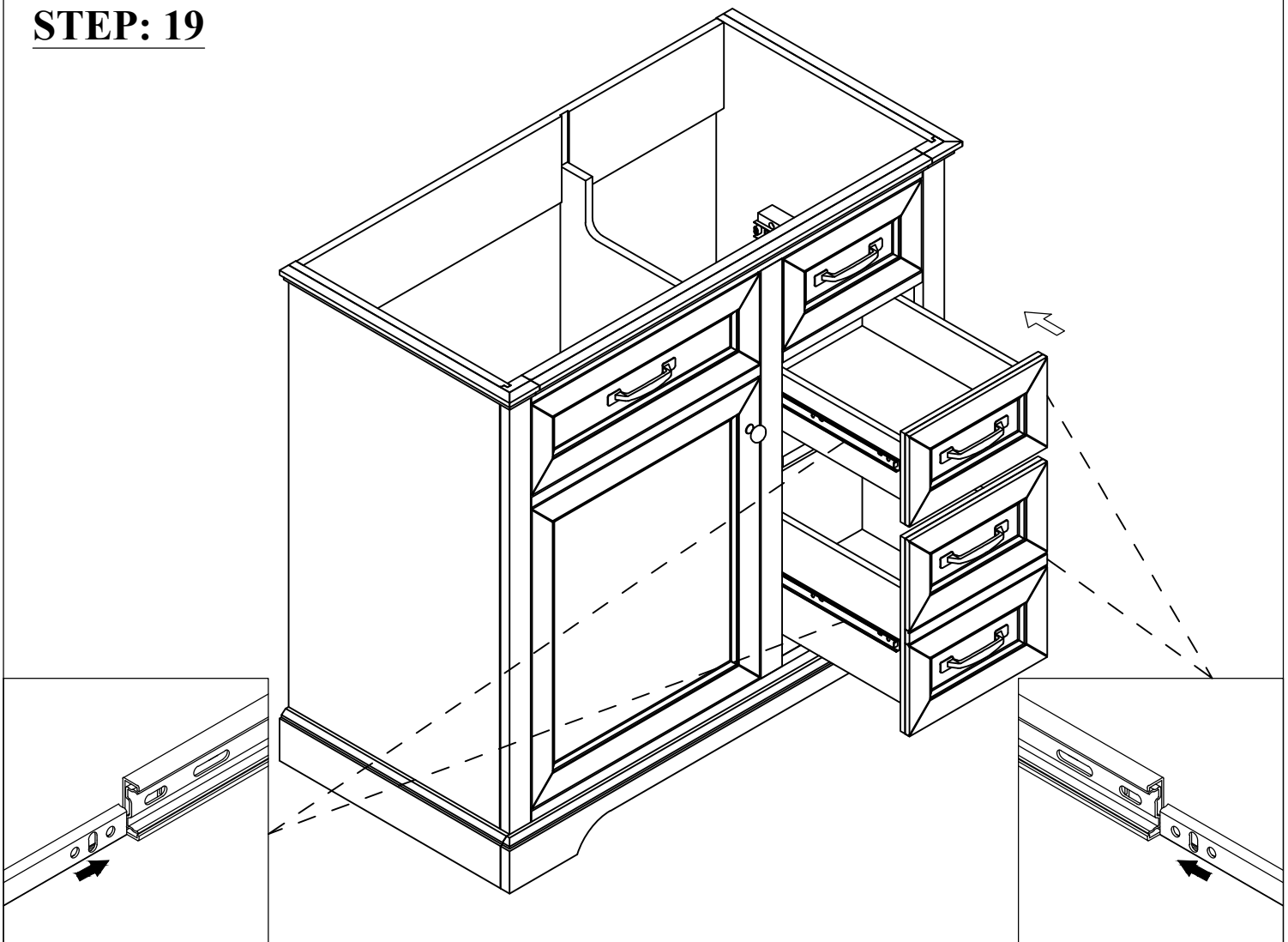


STEP: 18

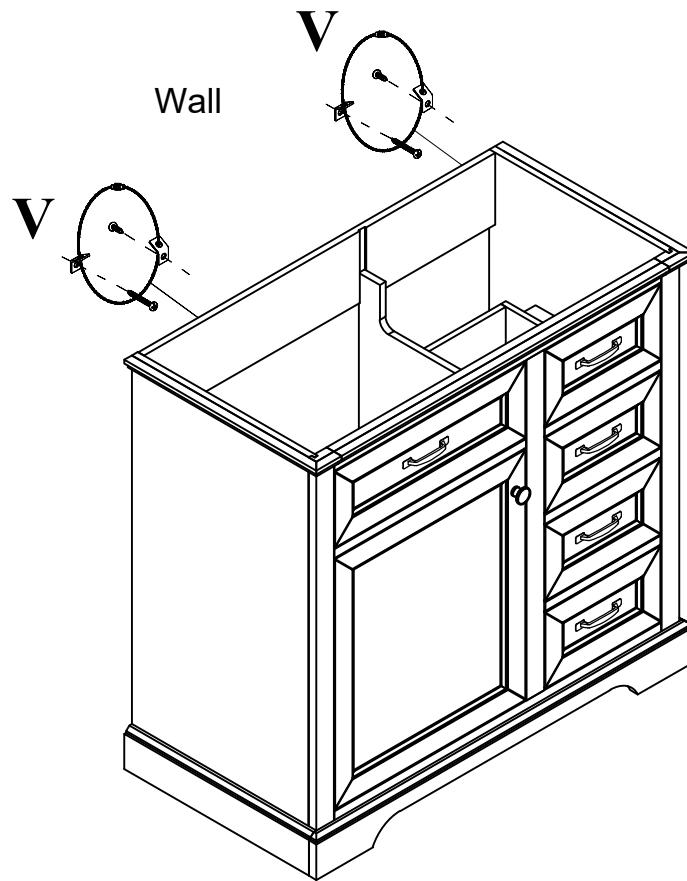
P 	E 	W 	G 
4PCS	2PCS	2PCS	2PCS
			D 
			8PCS



STEP: 19

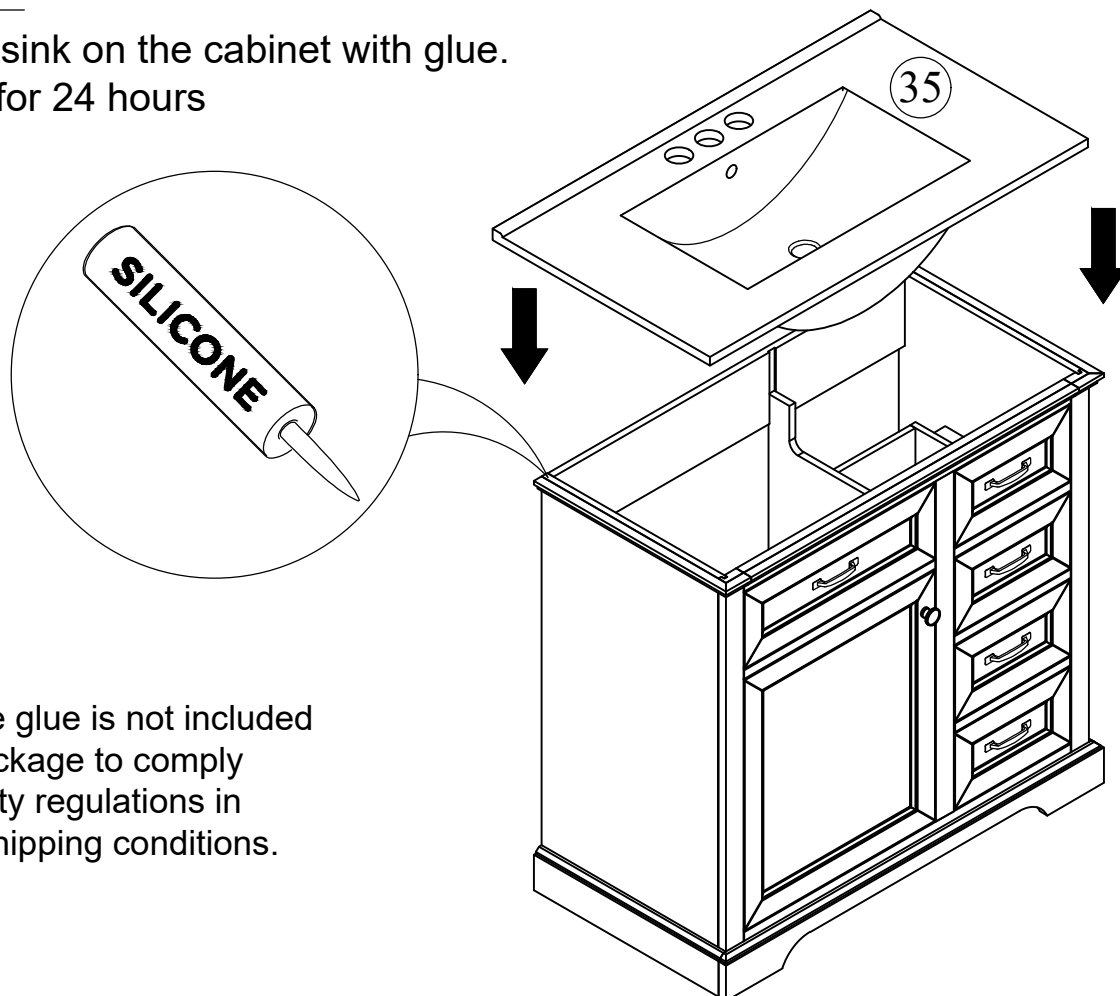


STEP: 20



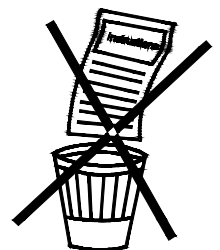
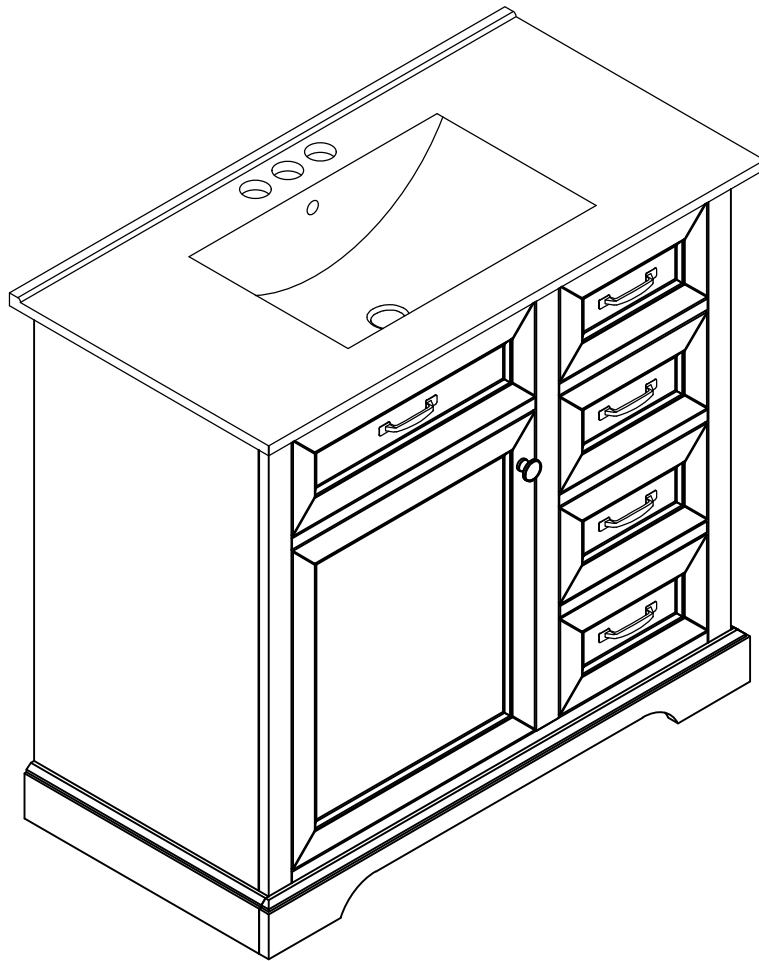
STEP: 21

Install the sink on the cabinet with glue.
Let stand for 24 hours

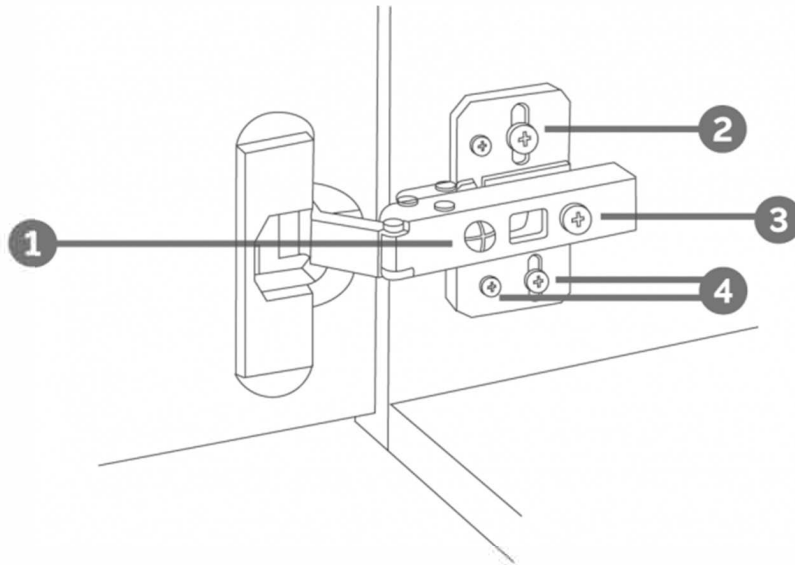


*Silicone glue is not included in the package to comply with safety regulations in certain shipping conditions.

STEP: 22

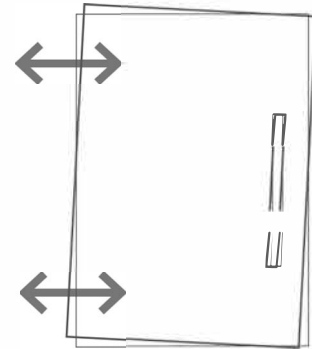


HINGE ADJUSTMENTS



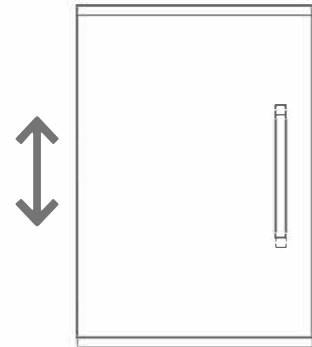
1 Sideways / Tilt adjustment

Turn the screw
clockwise to move the door further away from
the side of the cabinet
anticlockwise to move the door closer to the
side of the cabinet



2 4 Height adjustment

While supporting the weight of the door, turn the
screws
clockwise to move the door up
anticlockwise to move the door down



3 Forward and back adjustment

If the gap between the back of the door and the
cabinet is too small, and the door may not close
fully. Turn the screw
clockwise to decrease the gap between the
door and the cabinet
anticlockwise to increase the gap between the
door and the cabinet

