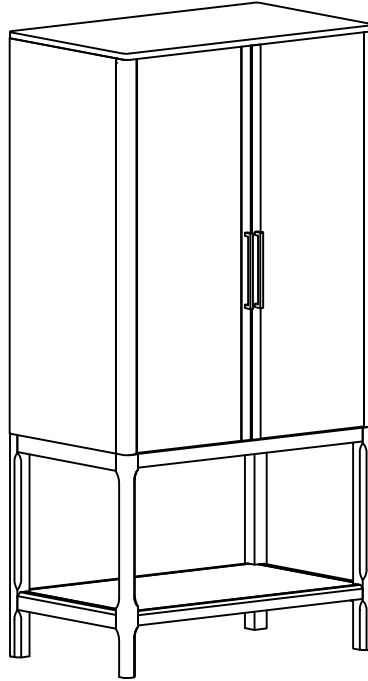
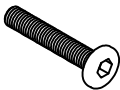

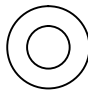




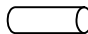






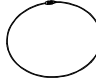








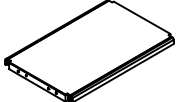

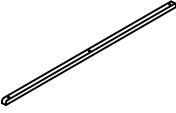


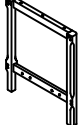


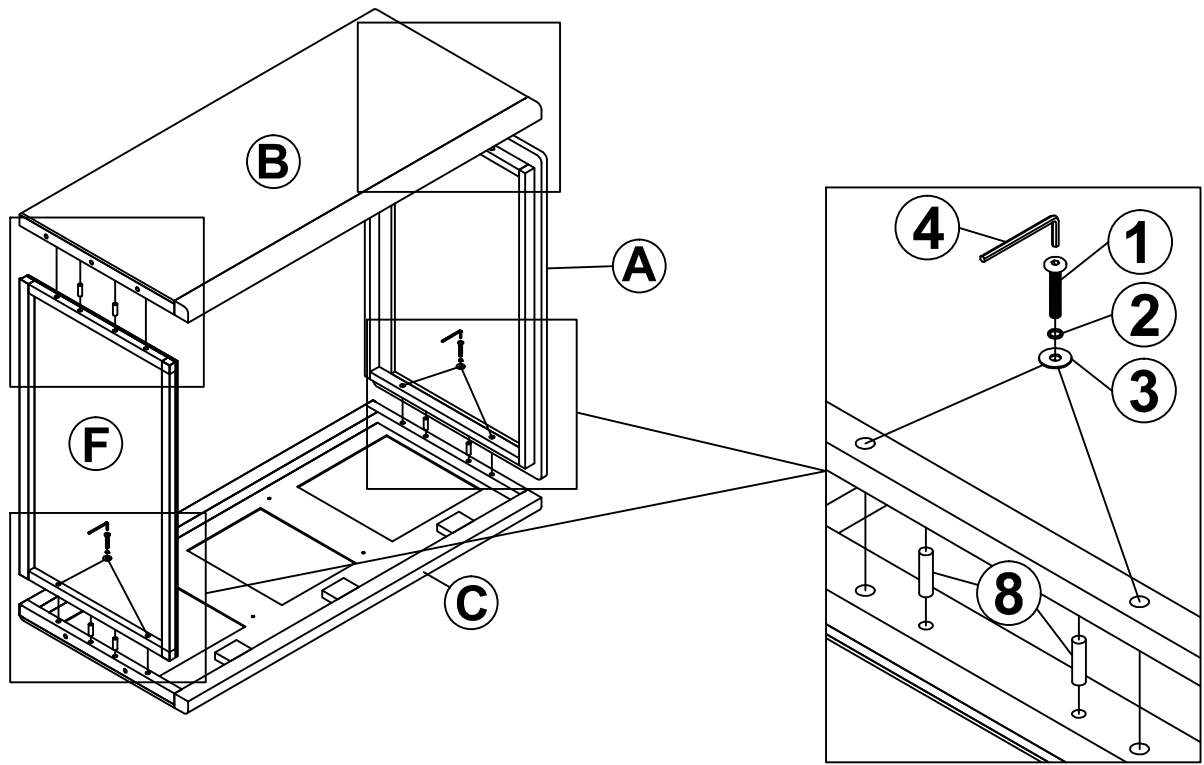
Assembly Instructions

CABINET HUTCH



 <p>① Bolt 1/4" x 40mm Qty 20 pcs + extra 1 pc</p>	 <p>② Lock Washer Ø13xØ8 Qty 16 pcs + extra 1 pc</p>	 <p>③ Flat Washer Ø19xØ8 Qty 16 pcs + extra 1 pc</p>	 <p>④ Allen Key Qty 1 pc + extra 1 pc</p>	 <p>⑤ Damper Hinge Qty 6 pcs</p>	 <p>⑥ Vis 3x15mm Qty 48 pcs + extra 1 pc</p>	 <p>⑦ Shelf pin Qty 8 pcs+1 extra 1 pc</p>
 <p>⑧ Wooden pegs 8x30mm Qty 14 pcs + extra 1 pc</p>	 <p>⑨ Door handle Qty 4 pcs</p>	 <p>⑩ Bolt 4x25mm Qty 4 pcs + extra 1 pc</p>	 <p>⑪ Vis 4x20mm Qty 6 pcs + extra 1 pc</p>	 <p>⑫ Vis 3x15mm Qty 24 pcs + extra 1 pc</p>	 <p>⑬ Magnetic clasp Qty 2 pcs</p>	 <p>⑭ Patch L Qty 2 pcs</p>
 <p>⑭.2 Metal Strap Qty 1 pc</p>	 <p>⑭.3 Short screw Qty 1 pc</p>	 <p>⑭.4 Long screw Qty 1 pc</p>	 <p>Ⓐ Top Qty 1 pc</p>	 <p>Ⓑ Left side Qty 1 pc</p>	 <p>Ⓒ Right side Qty 1 pc</p>	 <p>Ⓓ Left Door Qty 1 pc</p>
 <p>Ⓔ Right Door Qty 1 pc</p>	 <p>Ⓕ Board-Middle Qty 1 pc</p>	 <p>Ⓖ Board- Bottom Qty 1 pc</p>	 <p>Ⓗ Shelf Qty 2 pcs</p>	 <p>Ⓘ Support shelf Qty 2 pcs</p>	 <p>Ⓙ Back Panel Qty 2 pcs</p>	 <p>Ⓚ Support bar Qty 2 pcs</p>
 <p>Ⓛ Leg Qty 2 pcs</p>						

STEP 1



Bolt 1/4"x40mm

Lock Washer Ø13xØ8

Flat Washer Ø19xØ8

Allen Key

Wooden Pegs



① x 8

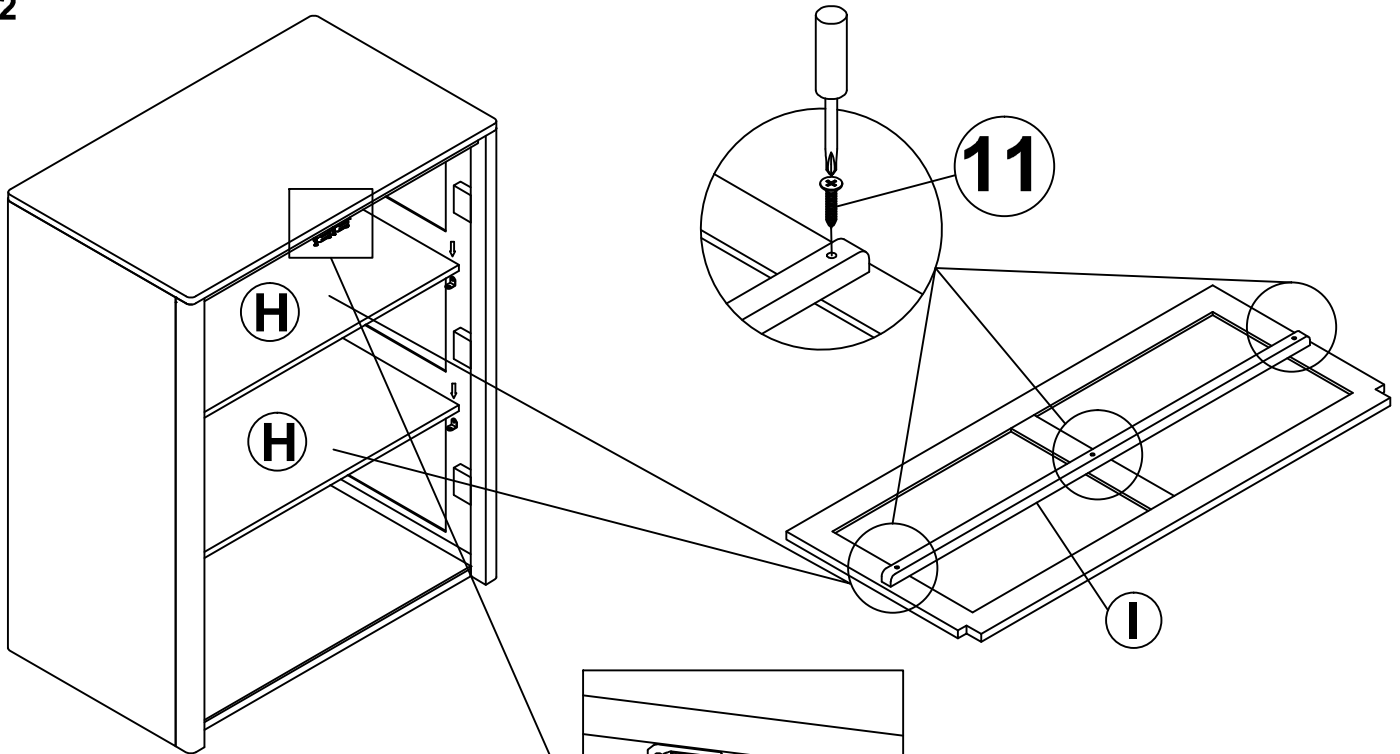
② x 8

③ x 8

④ x 1

⑧ x 8

STEP 2



Vis 3x15mm

Vis 4x20mm

Magnetic clasp

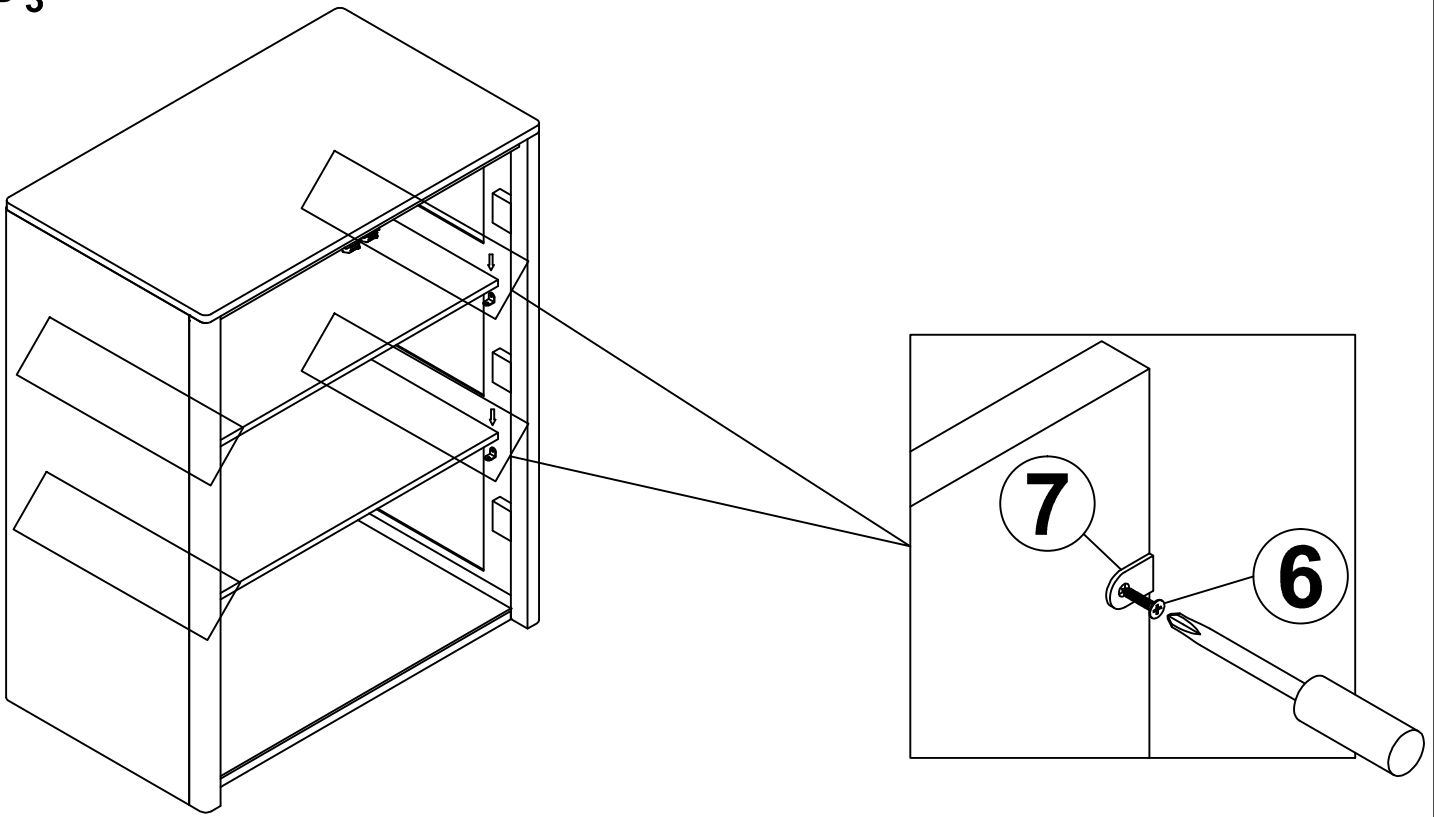


⑥ x 4

⑪ x 6

⑬ x 2

STEP 3



Vis 3x15mm

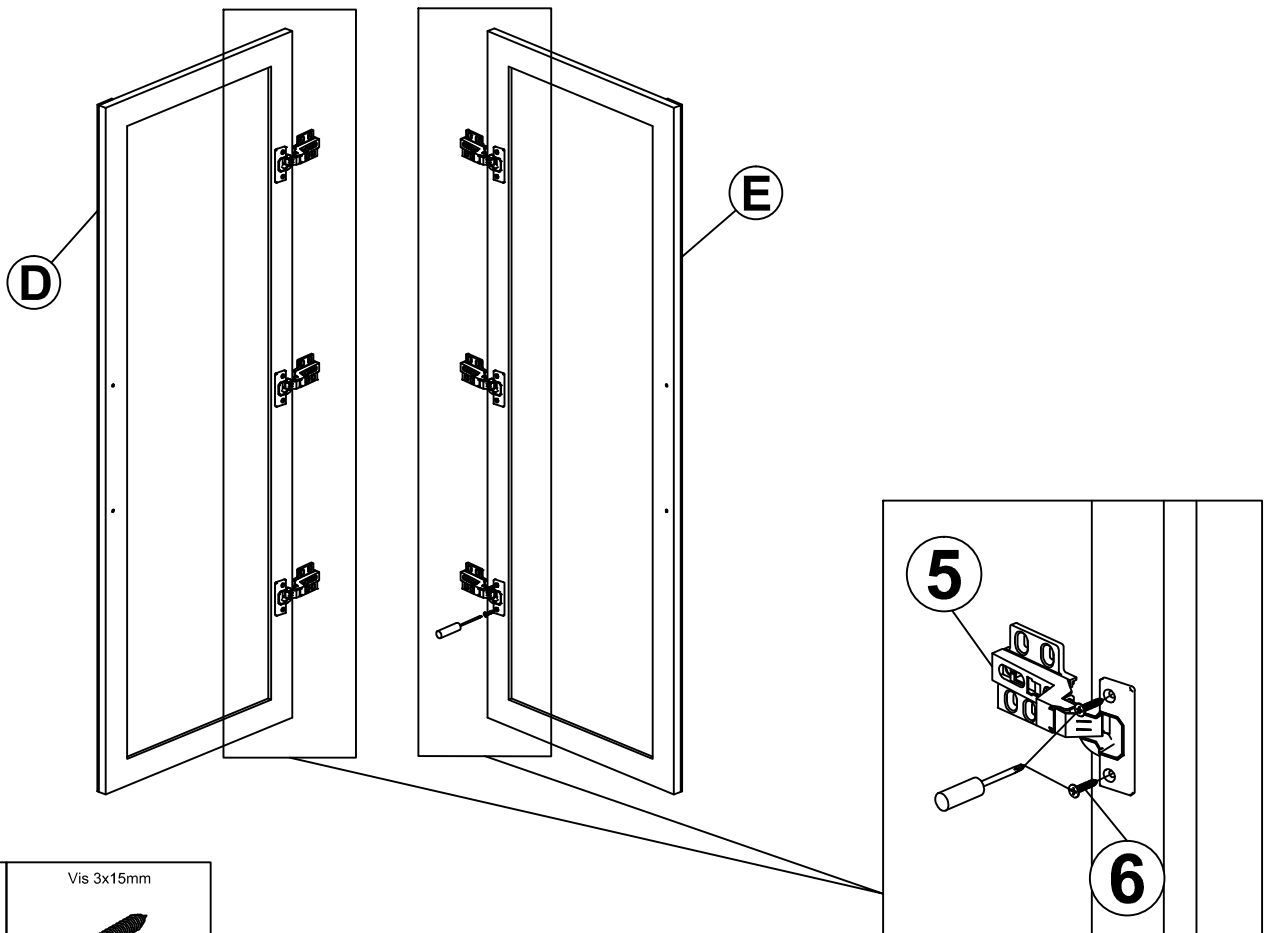
Shelf pin



⑥ x 8

⑦ x 8

STEP 4



Damper Hinge

Vis 3x15mm

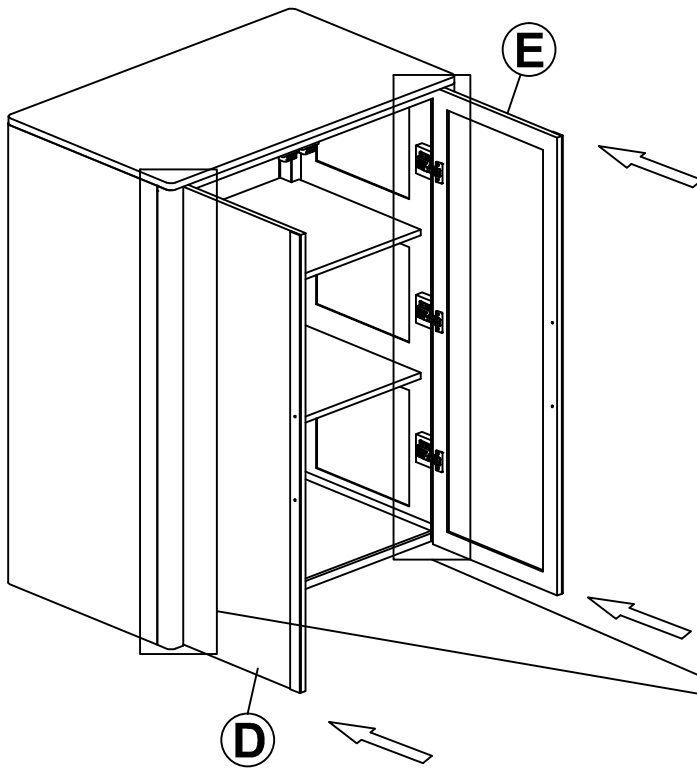


⑤ x 6

⑥ x 12

STEP 5

Please assemble the door according to the installation steps first. If the cabinet door is deviated, the internal hinge needs to be slowly adjusted to solve the problem.

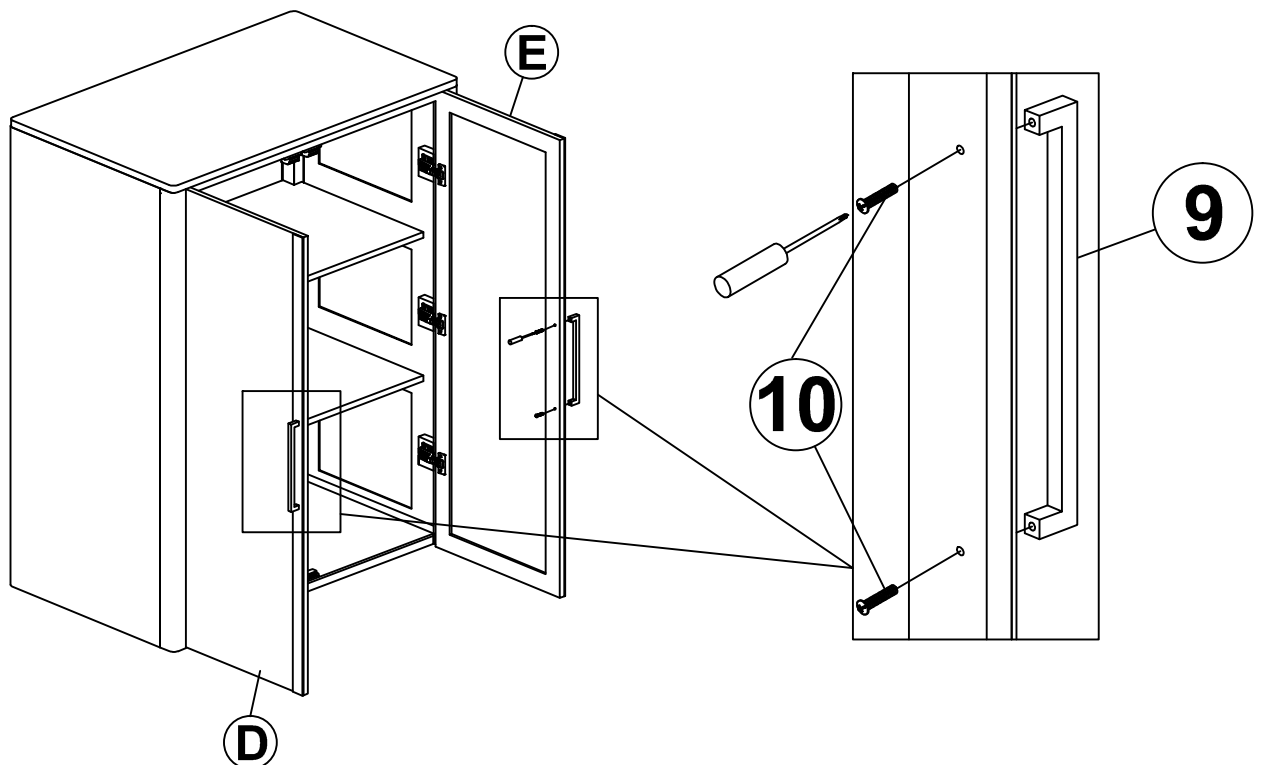


Vis 3x15mm



⑥ x 24

STEP 6



Door handle



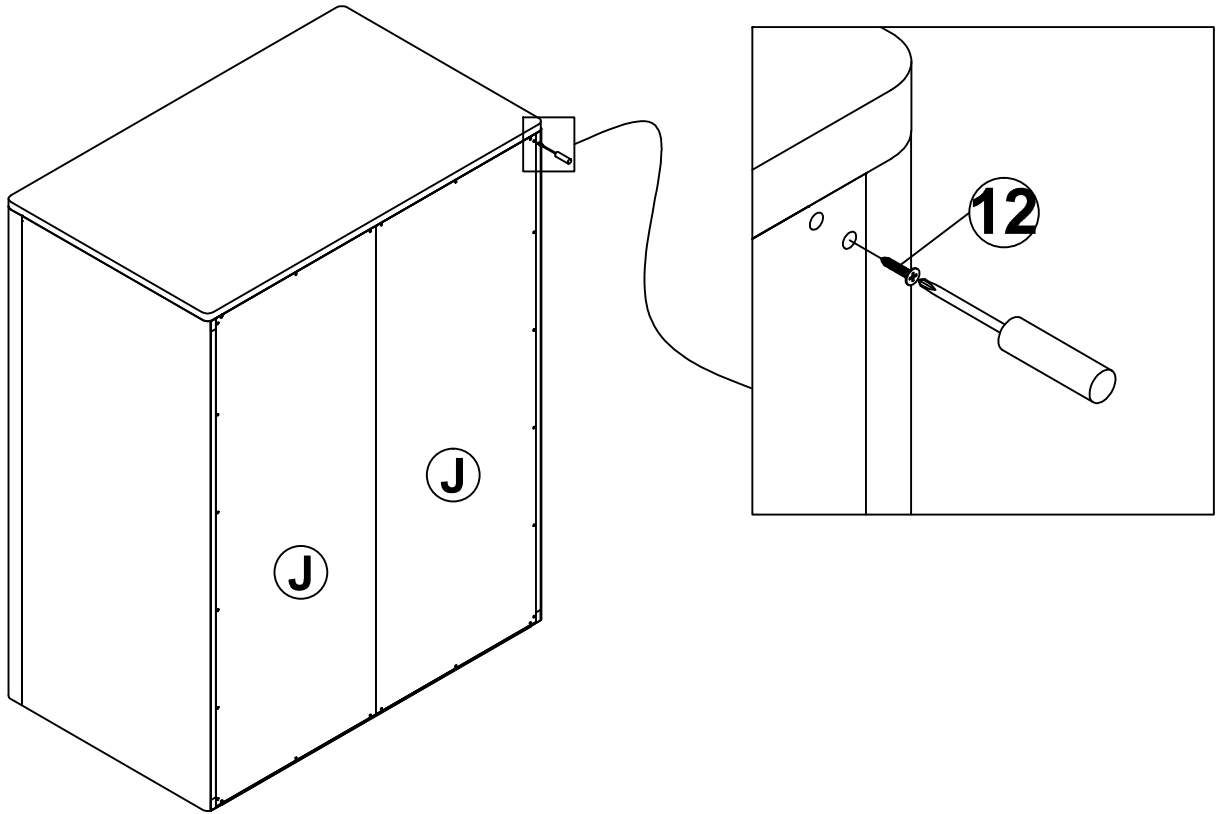
⑨ x 2

Bolt 4x25mm



⑩ x 4

STEP 7

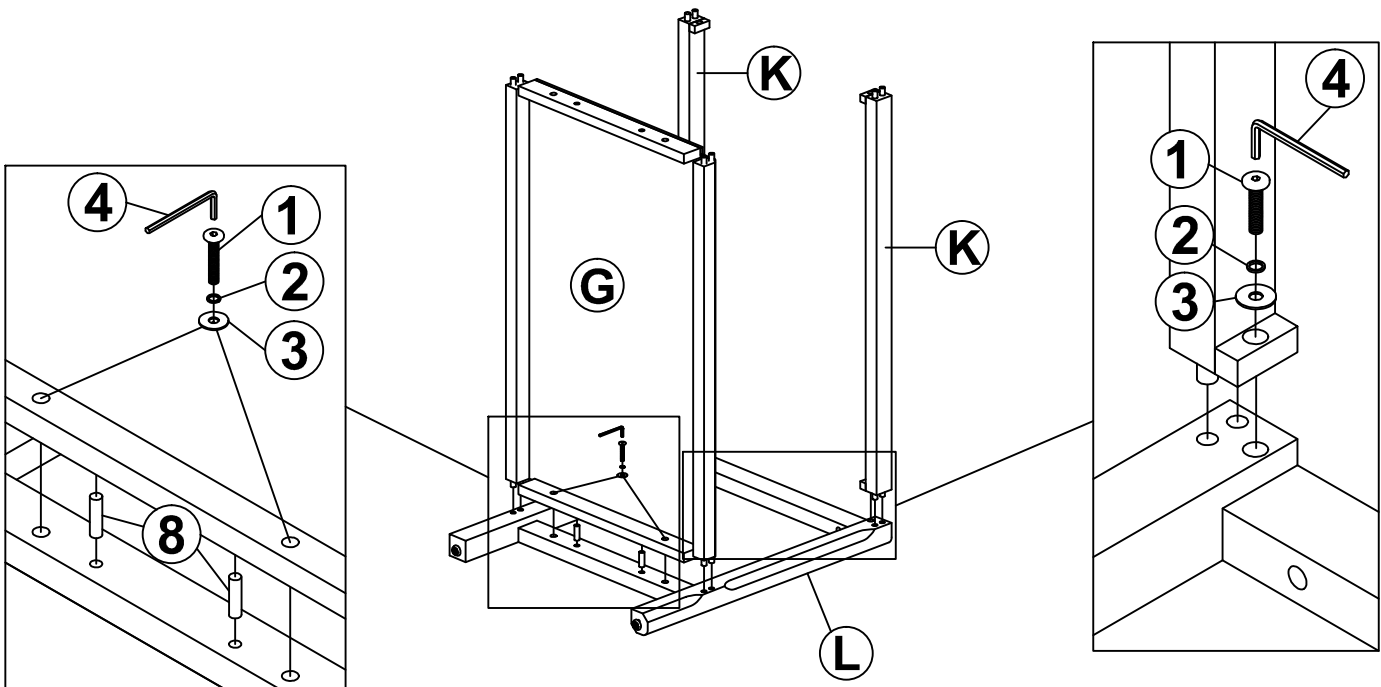


Vis 3x15mm



12 x 24

STEP 8



Bolt 1/4"x40mm



1 x 4

Lock Washer Ø13xØ8



2 x 4

Flat Washer Ø19xØ8



3 x 4

Allen Key



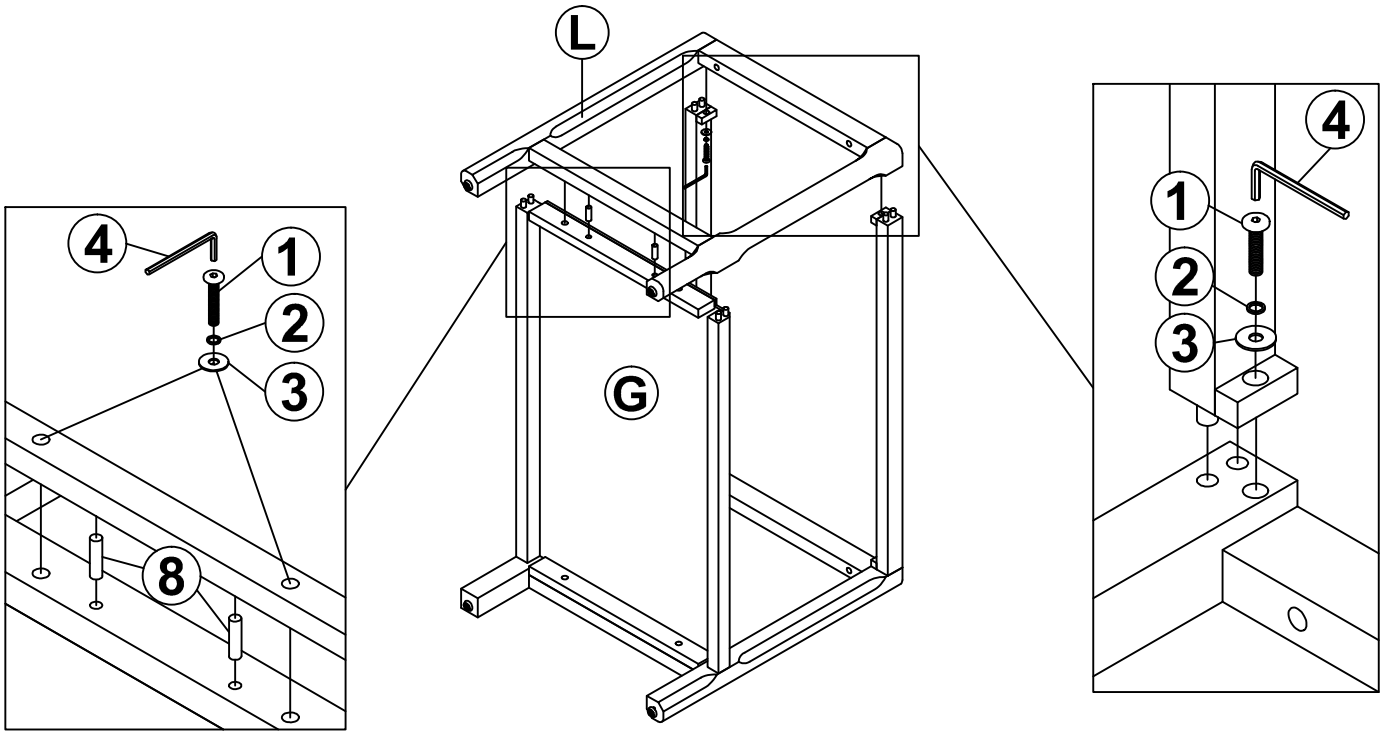
4 x 1

Wooden Pegs



8 x 2

STEP 9



Bolt 1/4"x40mm



① x 4

Lock Washer Ø13xØ8



② x 4

Flat Washer Ø19xØ8



③ x 4

Allen Key



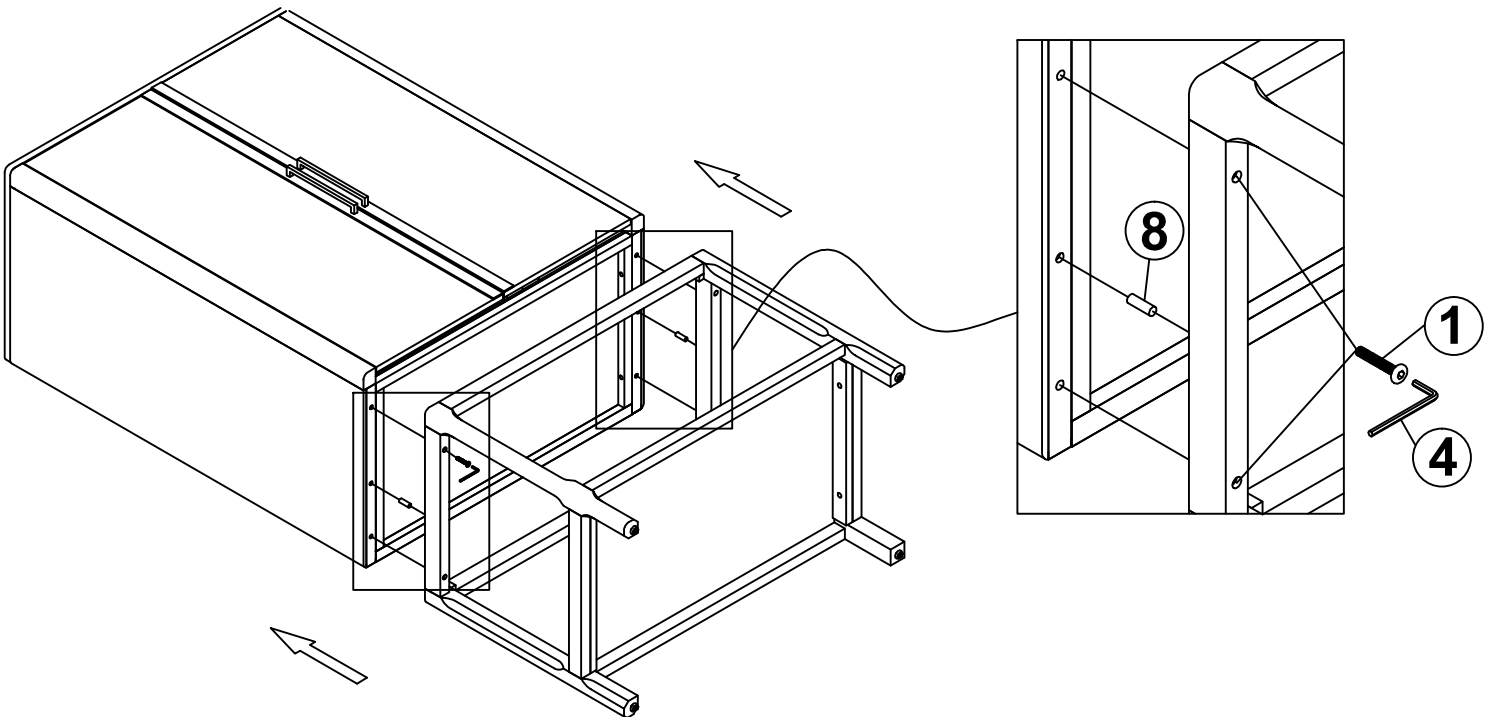
④ x 1

Wooden Pegs



⑧ x 2

STEP 10



Bolt 1/4"x40mm



① x 4

Allen Key



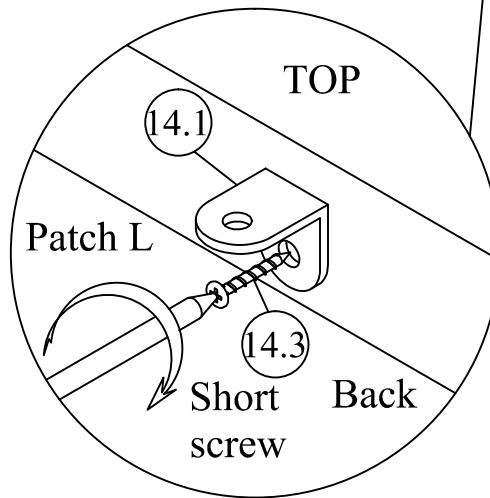
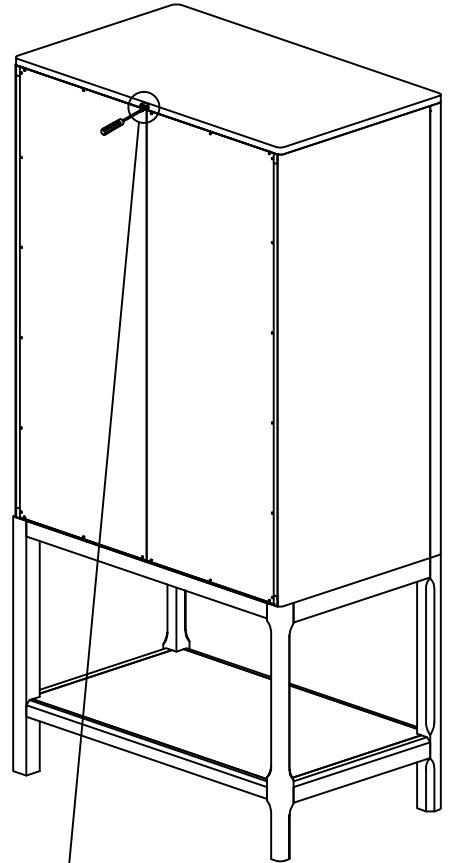
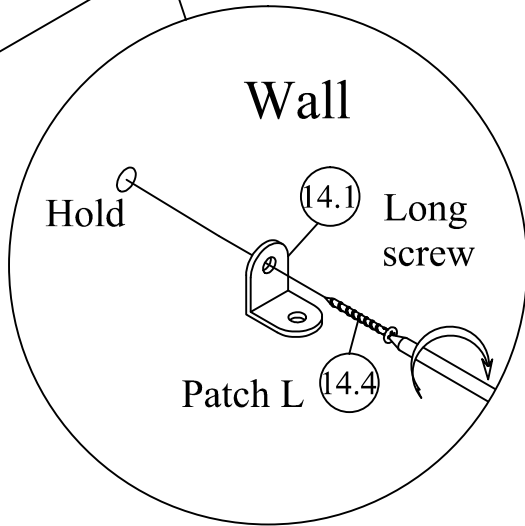
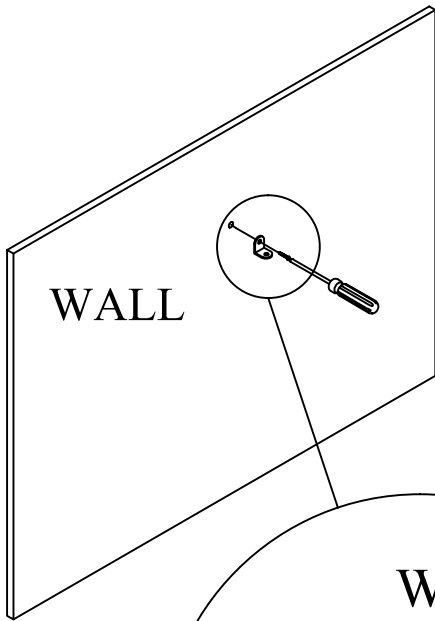
④ x 1





Wooden Pegs



⑧ x 2

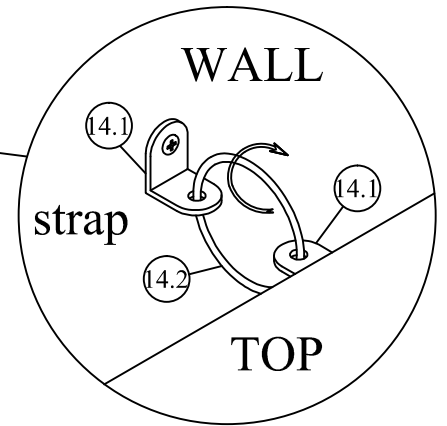
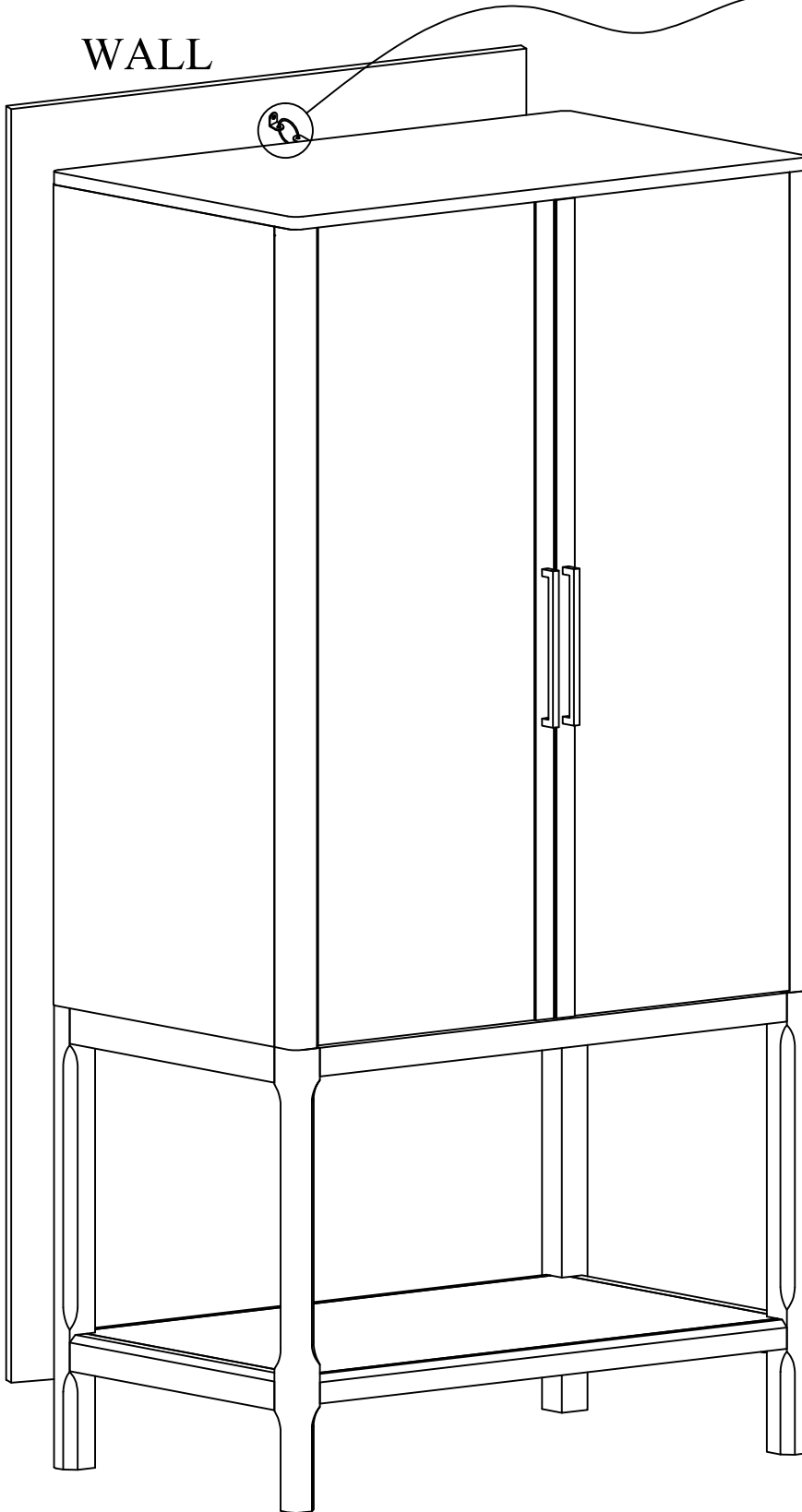
STEP 11



Patch L	Metal Strap	Short screw	Long screw
			
14.1 x 2	14.2 x 1	14.3 x 1	14.4 x 1

STEP 12

- All cabinets come with TRD, stainless steel or our "L-Bracket" when shipped.
- This is not a clothing storage cabinet and it is not recommended to use it as a clothing storage cabinet.



Patch L



14.1 x 2

Metal Strap



14.2 x 1

Short screw



14.3 x 1

Long screw



14.4 x 1