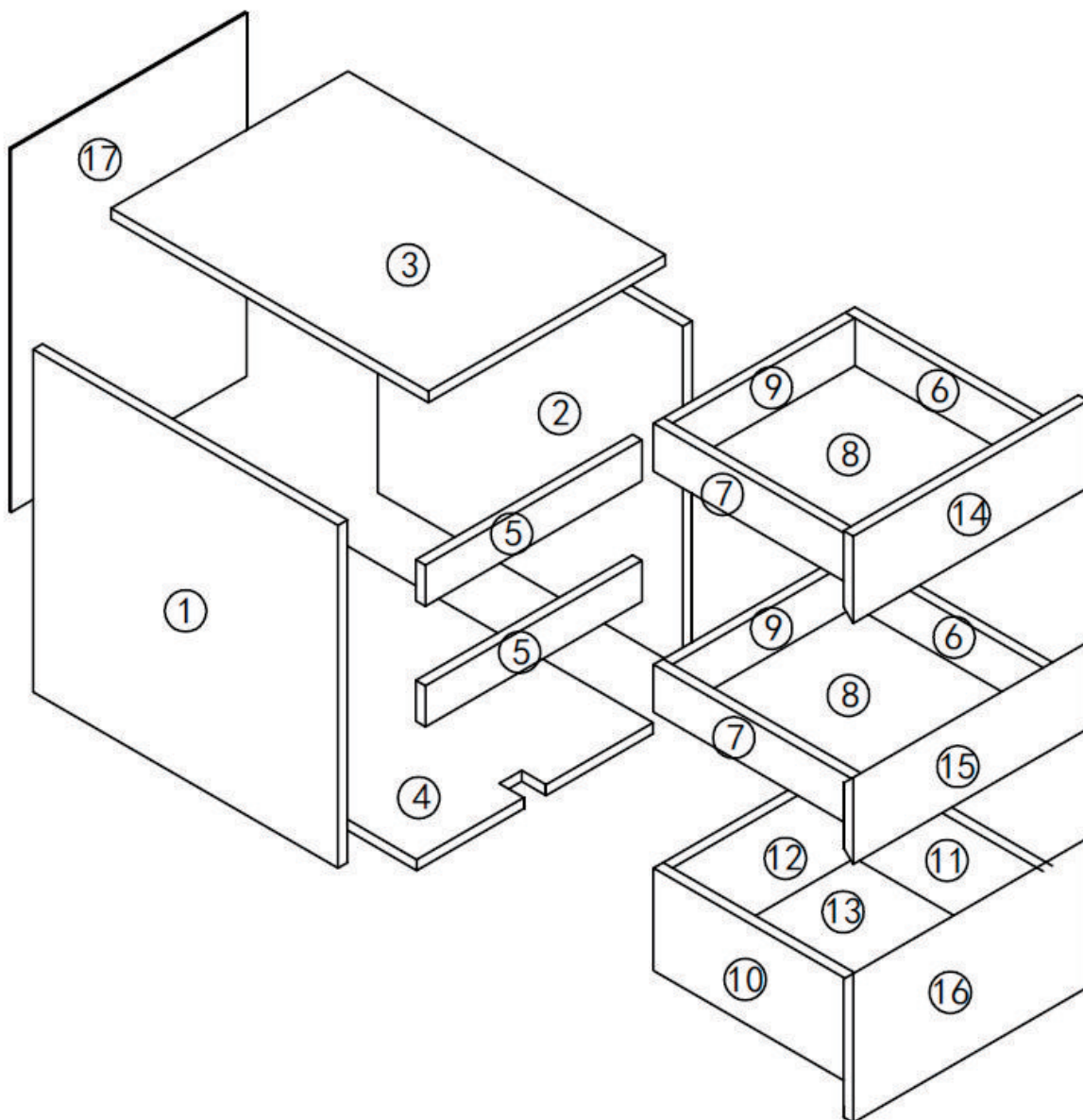
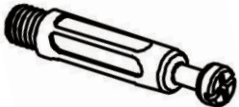





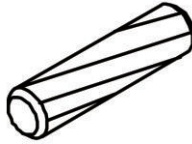






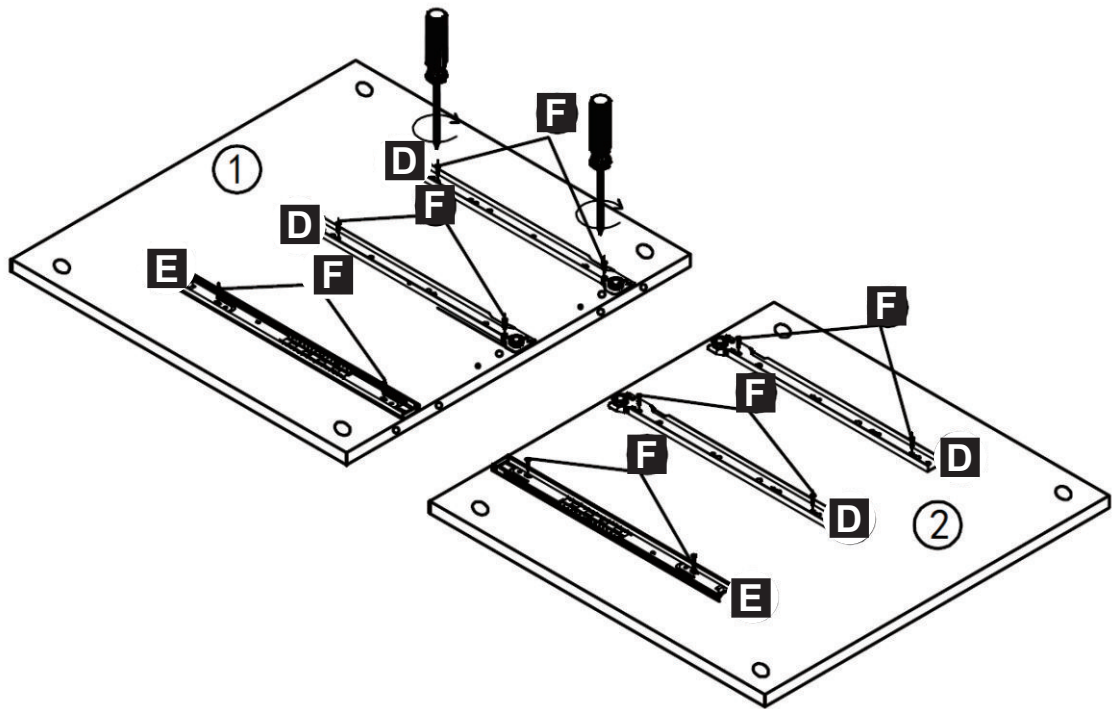
READ AND SAVE THIS INSTRUCTIONS FOR FUTURE USE

ASSEMBLY & INSTRUCTION MANUAL

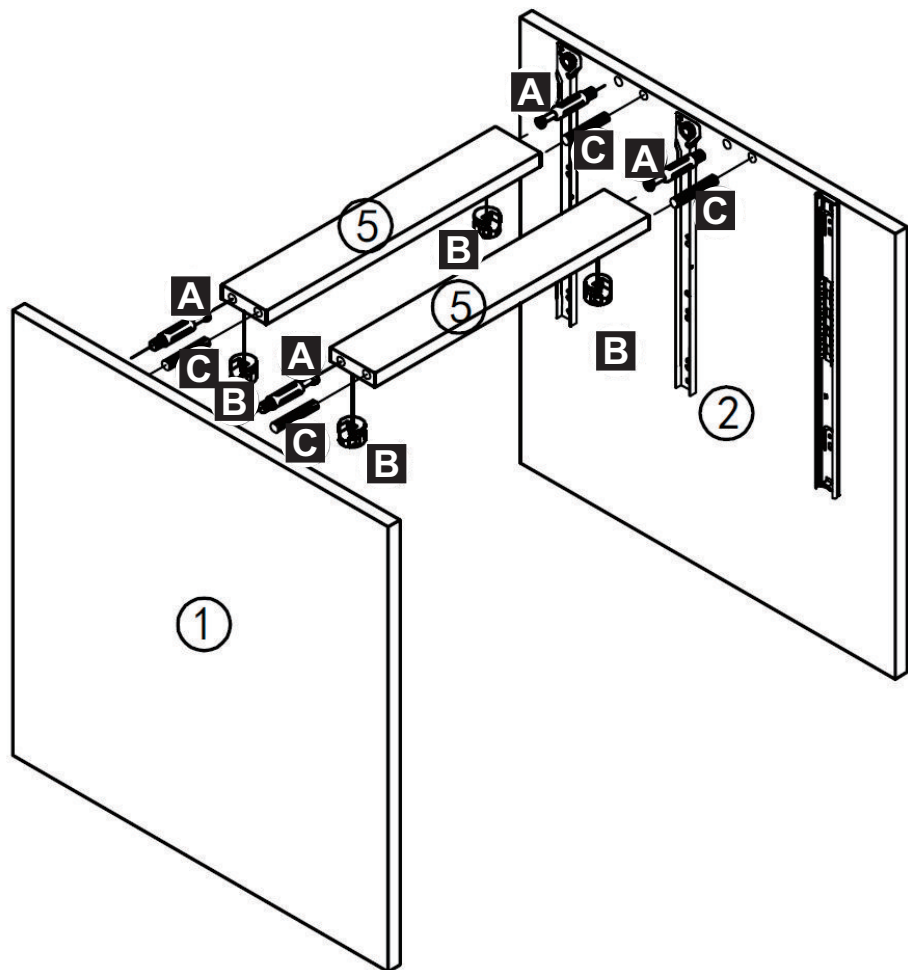


 <p>A x24</p>	 <p>D x 4</p>	 <p>H x 2</p>
 <p>B x24</p>	 <p>E x 2</p>	 <p>I x 2</p>
 <p>C x12</p>	 <p>F x43</p>	 <p>J x 1</p>
<p>M3.5*14</p>	 <p>G x12</p> <p>M3.5*35</p>	 <p>K x20</p>

- D** x 2
- E** x 1
- F** x 12
- M3.5*14



- A** x 4
- B** x 4
- C** x 4



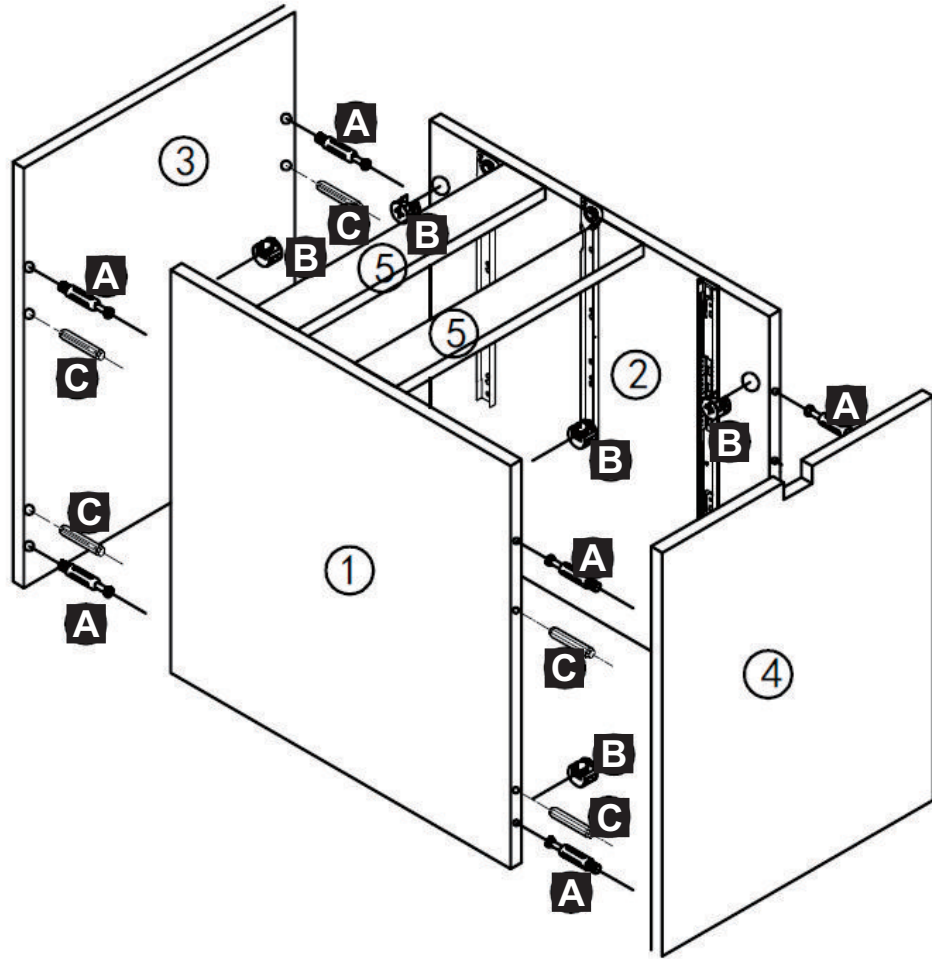
A x 8



B x 8



C x 8



F x 16

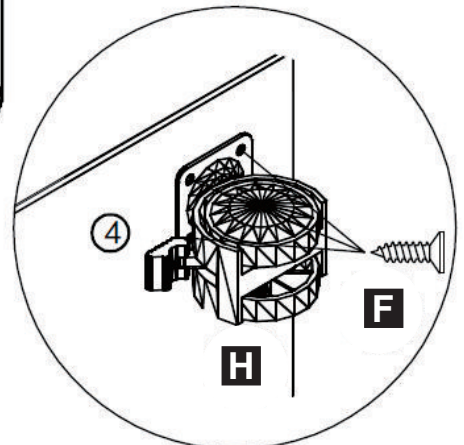
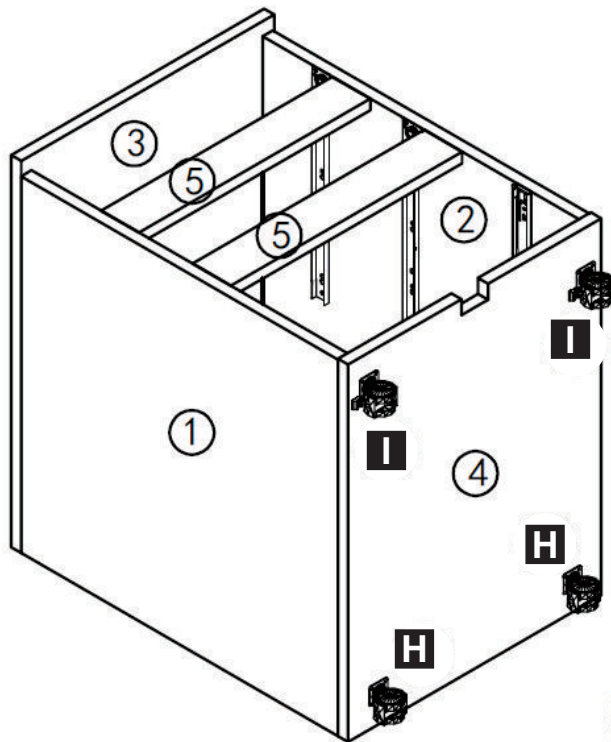


M3.5*14

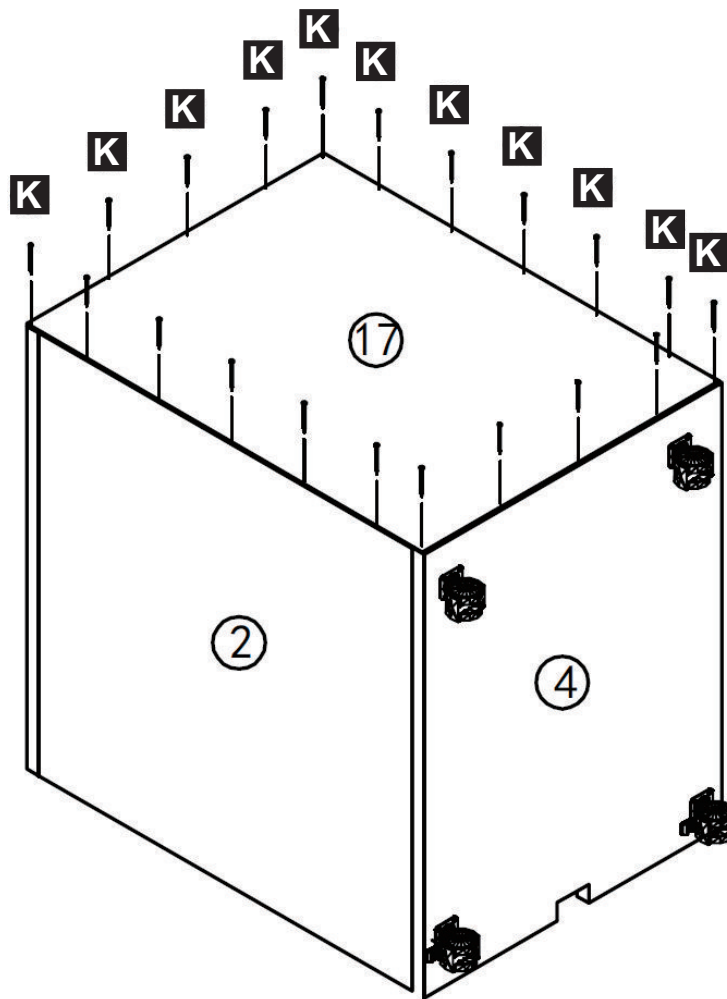
H x 2



I x 2



K x 20



A x 4



B x 4



F x 4



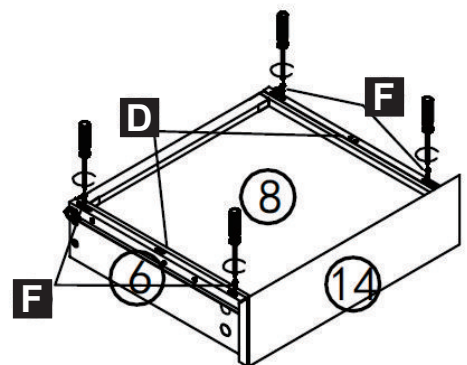
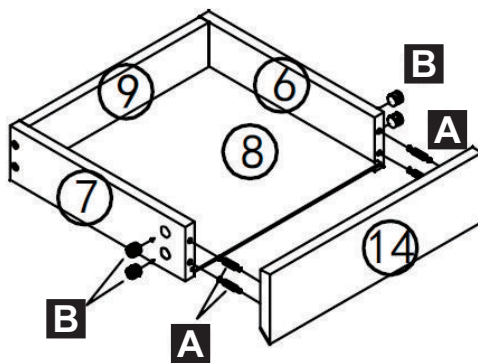
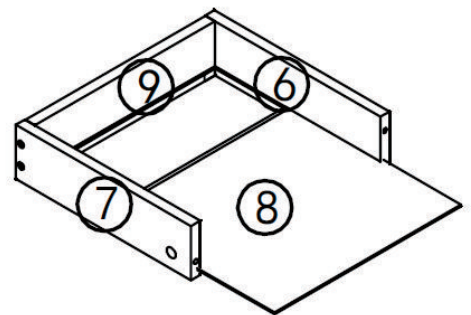
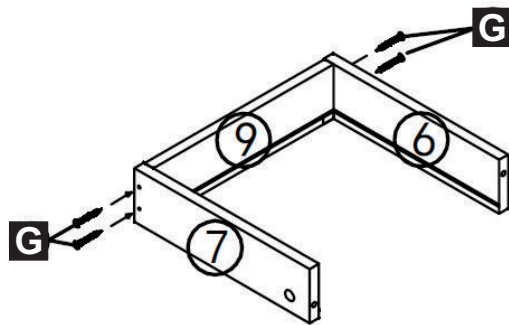
M3.5*14

G x 4



M3.5*35

D x 1



A x 4



B x 4



D x 1



F x 4

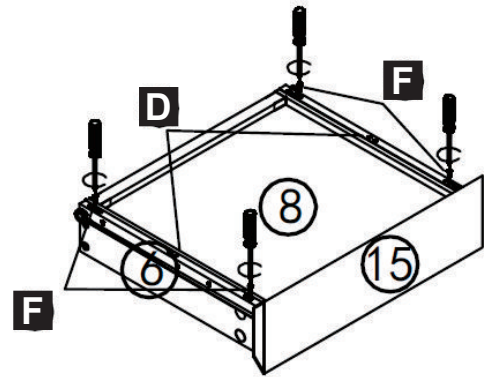
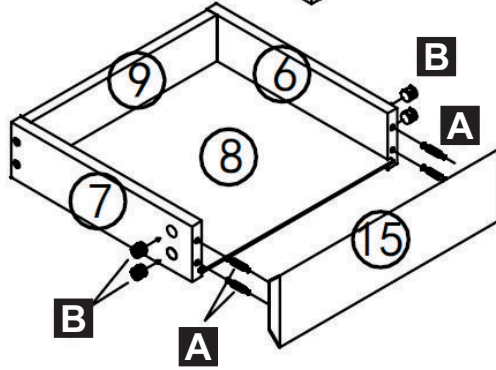
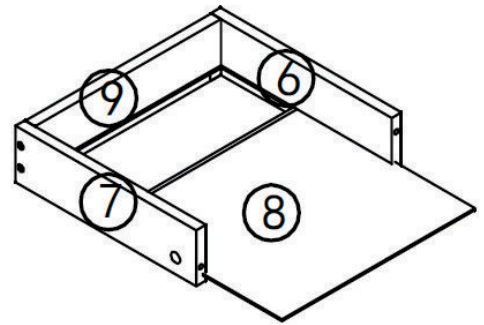
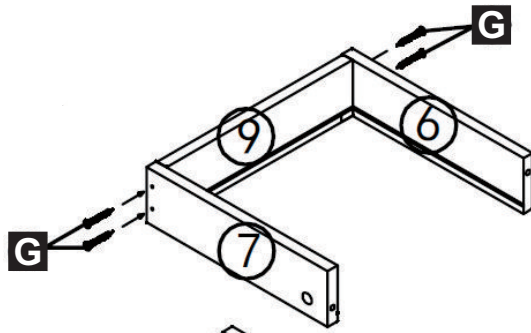


M3.5*14

G x 4



M3.5*35



A x 4



B x 4



D x 1



F x 7



M3.5*14

G x 4



M3.5*35

J x 1

