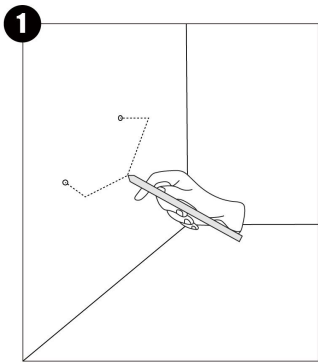
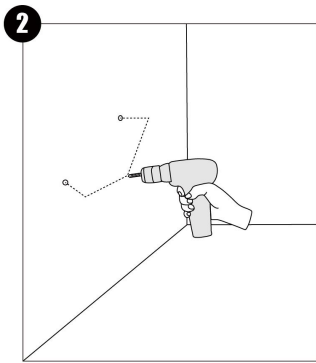


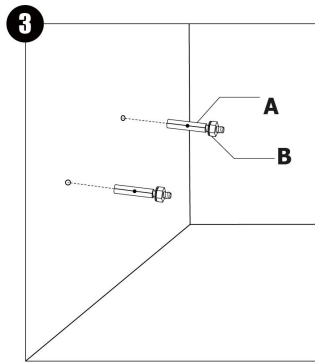
## Counter Basin Installation Steps



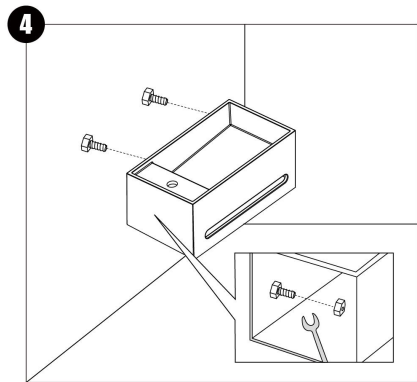
1. Place the basin on the wall and mark holes.



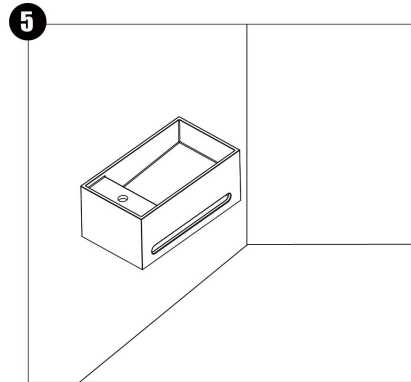
2. Drill the holes of the marked point position.



3. Remove the mounting nuts (B) from the mounting bolts (A), Suit the mounting bolts (A) into the holes.



4. Align the position of the hole to install the basin on the wall, and fix it with a mounting nut



5. Make sure the basin is firm and complete the installation