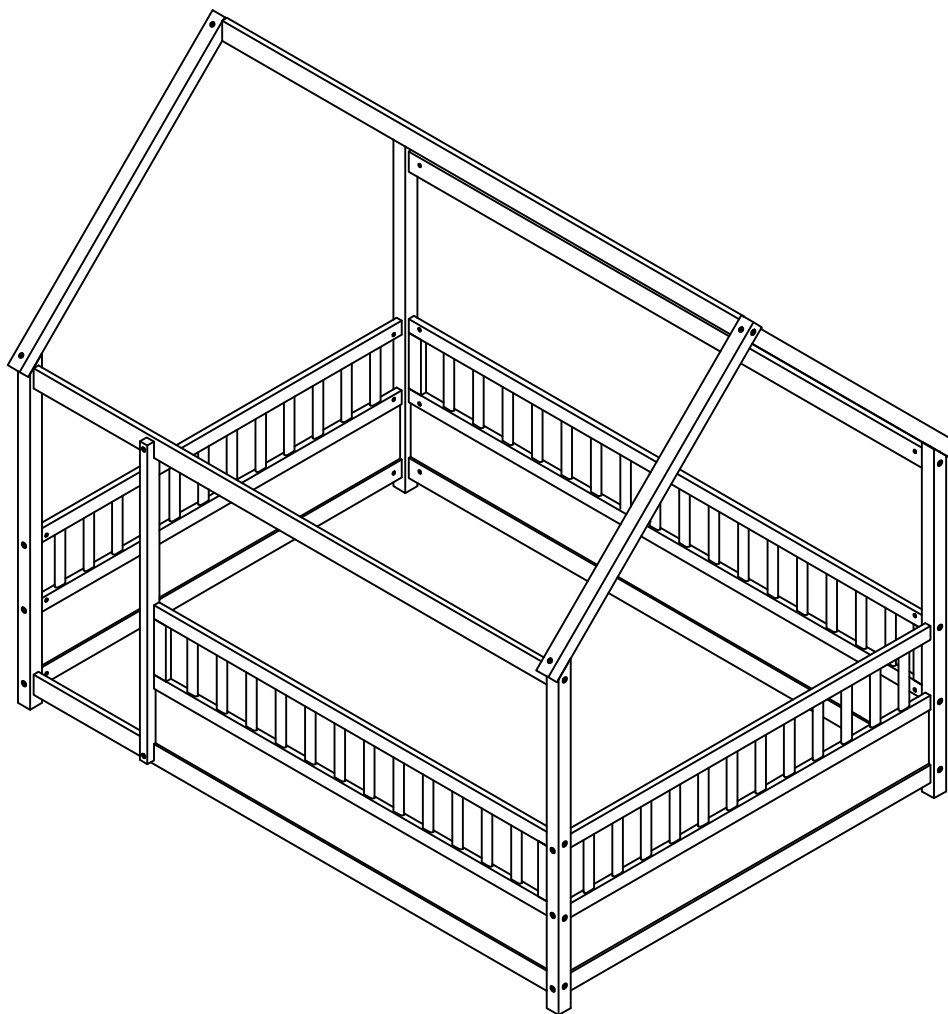
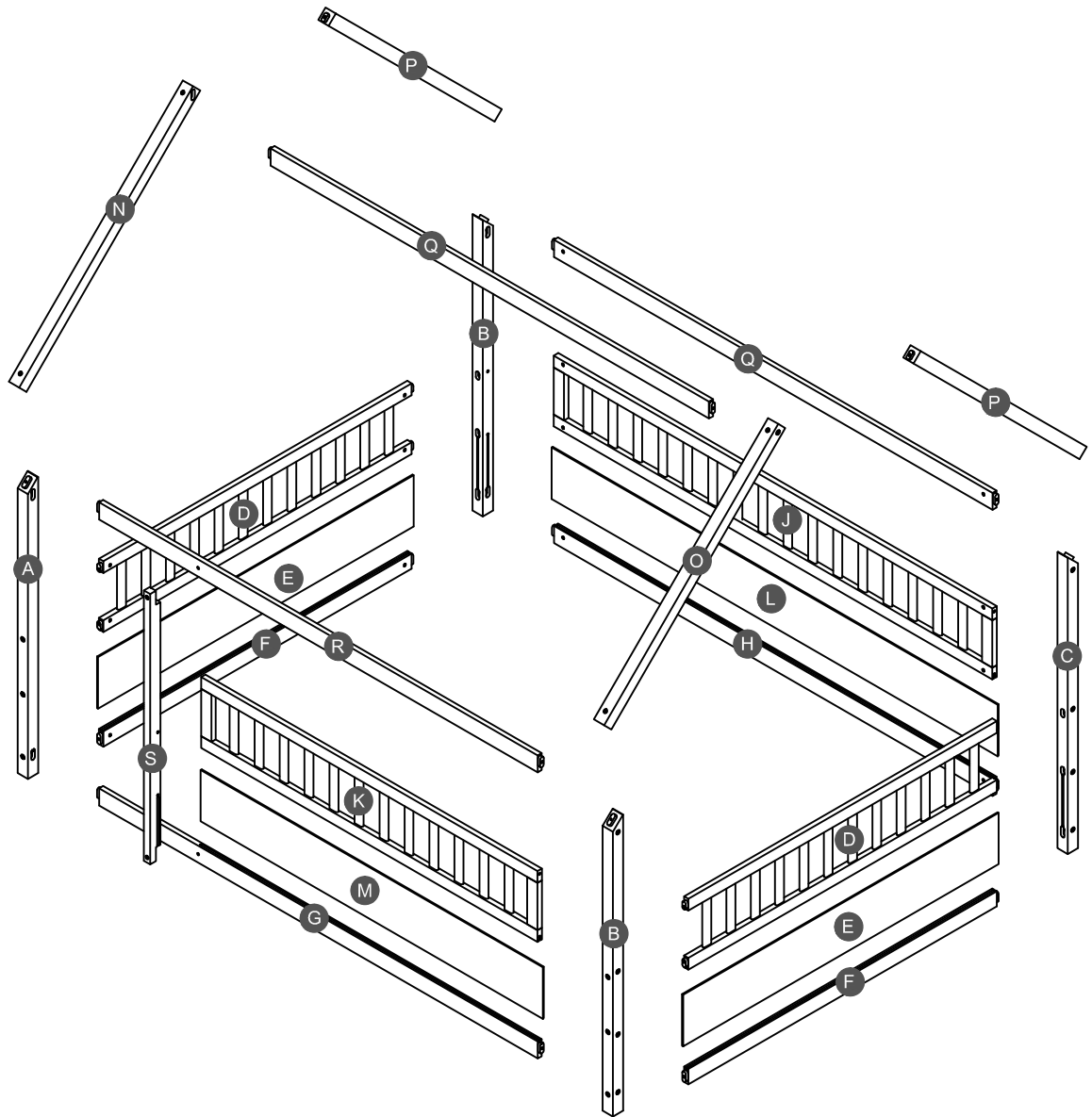


ASSEMBLY INSTRUCTIONS

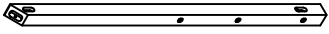
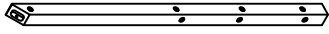
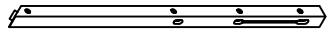
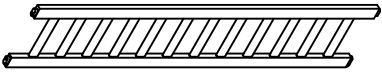
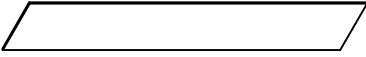

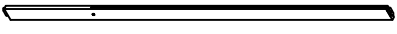

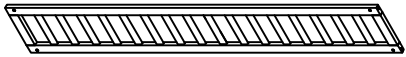
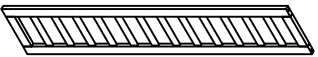
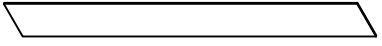
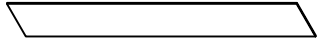
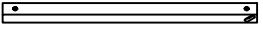
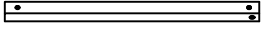
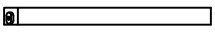

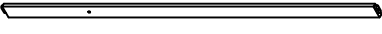

FULL HOUSE BED




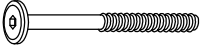


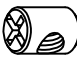
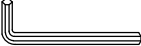
Detail View



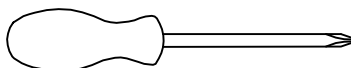
Part List

<p>A</p>  <p>Leg (Left Front) - 1pc</p>	<p>B</p>  <p>Leg (Left Back/Right Front) - 2pcs</p>	<p>C</p>  <p>Leg (Right Back) - 1pc</p>
<p>D</p>  <p>Frame HB/FB - 2pcs</p>	<p>E</p>  <p>Side panel HB/FB - 2pcs</p>	<p>F</p>  <p>Lower horizontal bar HB/FB - 2pcs</p>
<p>G</p>  <p>Lower horizontal bar (Front) - 1pc</p>	<p>H</p>  <p>Lower horizontal bar (Back) - 1pc</p>	<p>J</p>  <p>Long guard rail (Back) - 1pc</p>
<p>K</p>  <p>Short guard rail (Front) - 1pc</p>	<p>L</p>  <p>Back panel - 1pc</p>	<p>M</p>  <p>Front panel - 1pc</p>
<p>N</p>  <p>Upper (Left Front) - 1pc</p>	<p>O</p>  <p>Upper (Right Front) - 1pc</p>	<p>P</p>  <p>Upper (Back) - 2pcs</p>
<p>Q</p>  <p>Upper horizontal bar - 2pcs</p>	<p>R</p>  <p>Upper horizontal bar (Front) - 1pc</p>	<p>S</p>  <p>Vertical guard rail (Front) - 1pc</p>

Hardware List

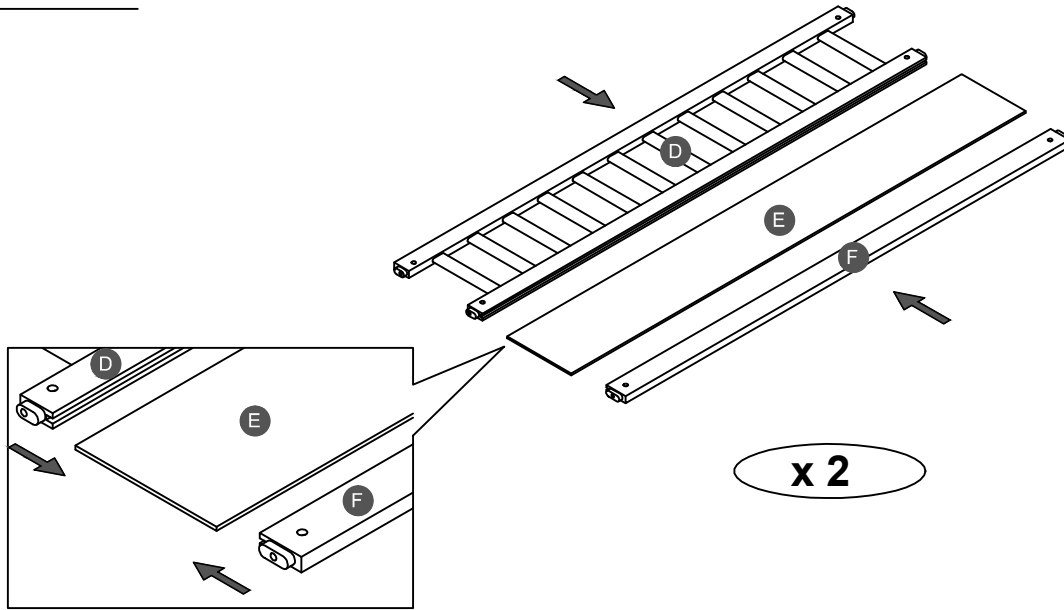
1  (Ø15)1/4"*100mm	2  (Ø15)1/4"*80mm	3  (Ø12)1/4"*35mm
Hex-Head bolts (16pcs)	Hex-Head bolts (14pcs)	Hex-Head bolts (2pcs)
4  (Ø12)1/4"*65mm	5  1/4"*15 (9.5mm)	6  (1/4")4.5*58mm
Wood screw bolts (6pcs)	Horizontal-Hole bolts (30pcs)	Allen key (1pc)

ASSEMBLY TOOLS REQUIRED (NOT INCLUDED)

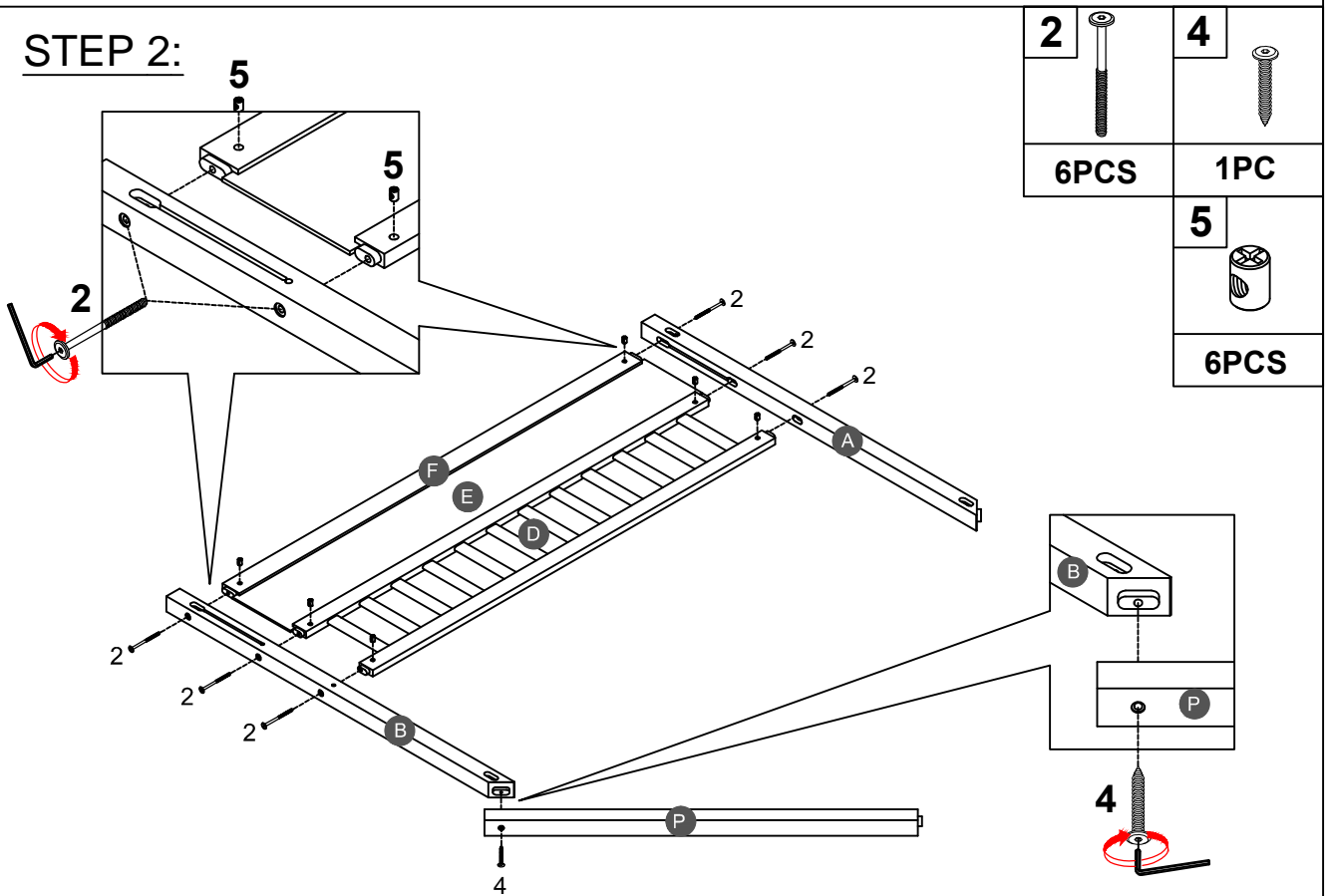


PLEASE BE CAREFUL DO NOT DAMAGE THE HOLE POSITION WHEN YOU USE POWER TOOLS !

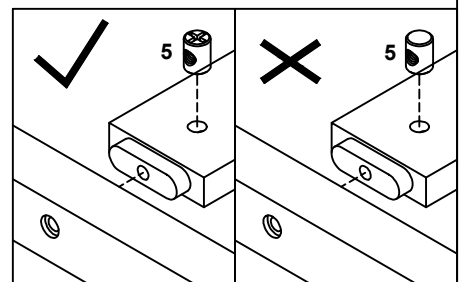
STEP 1:




STEP 2:

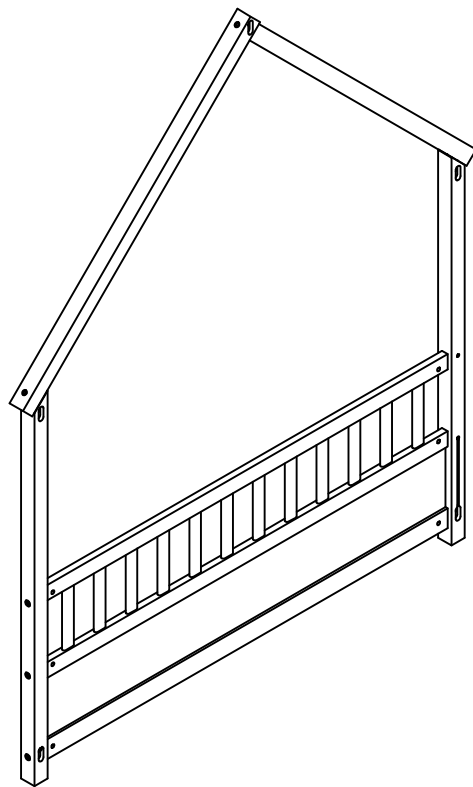
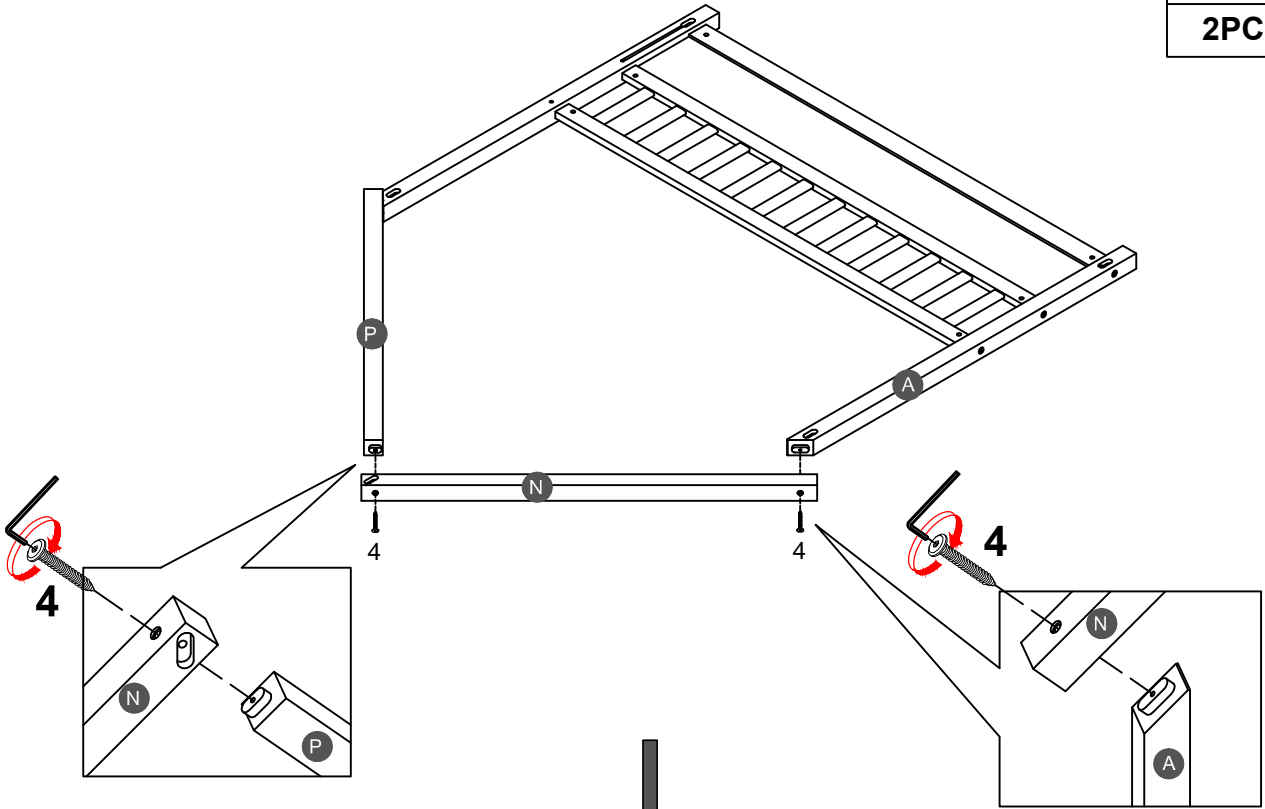


Note: Part 5 will face up with the "x" mark on it, otherwise it cannot be tightened

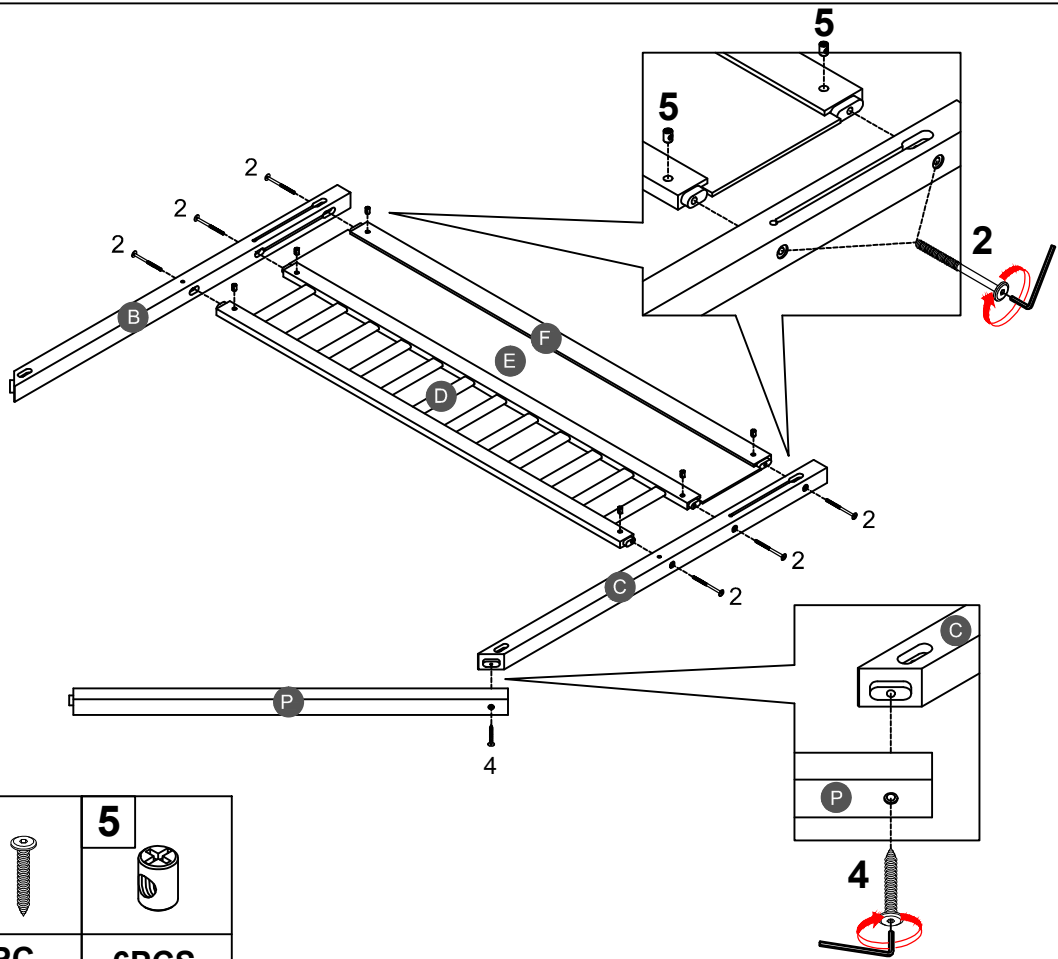



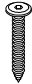

STEP 3:

4	
2PCS	

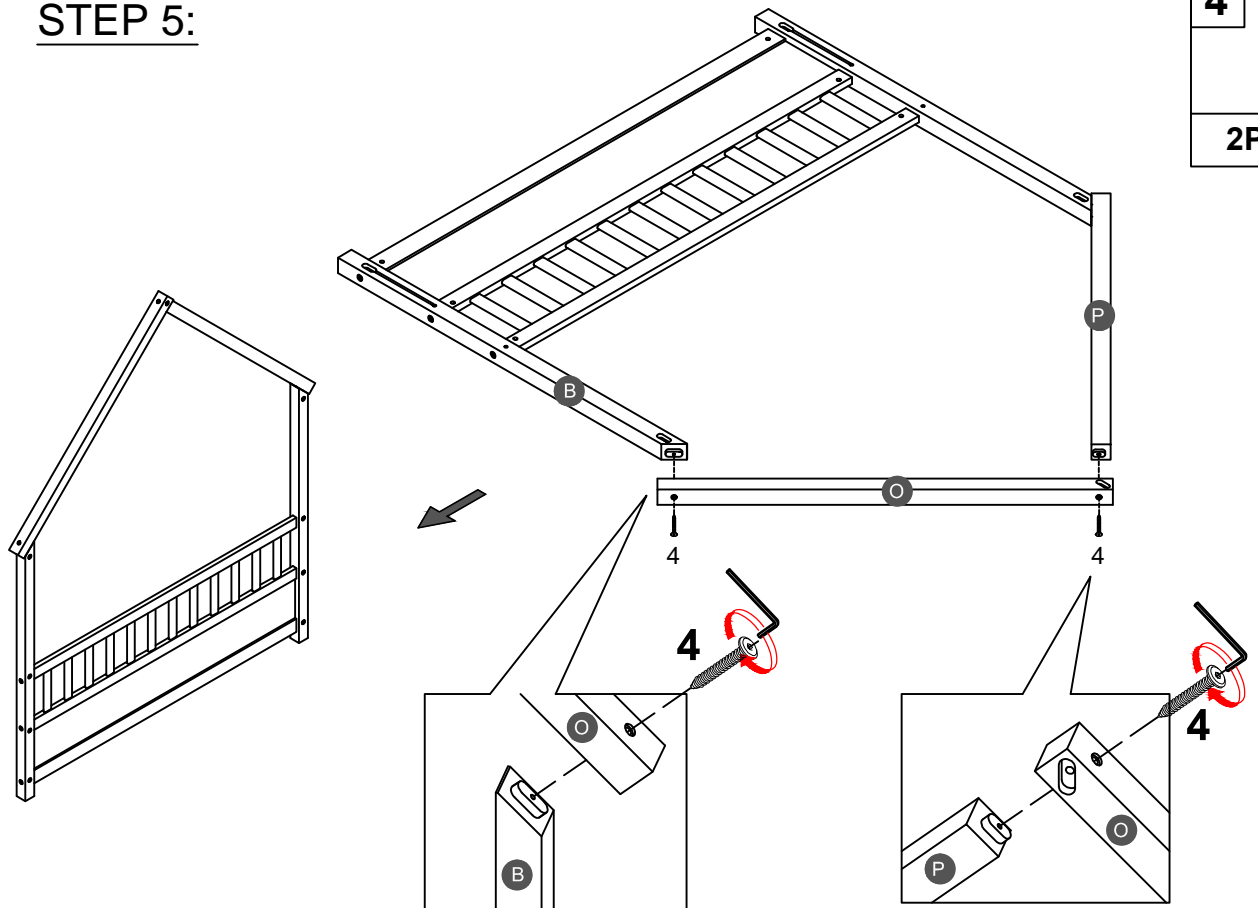



STEP 4:



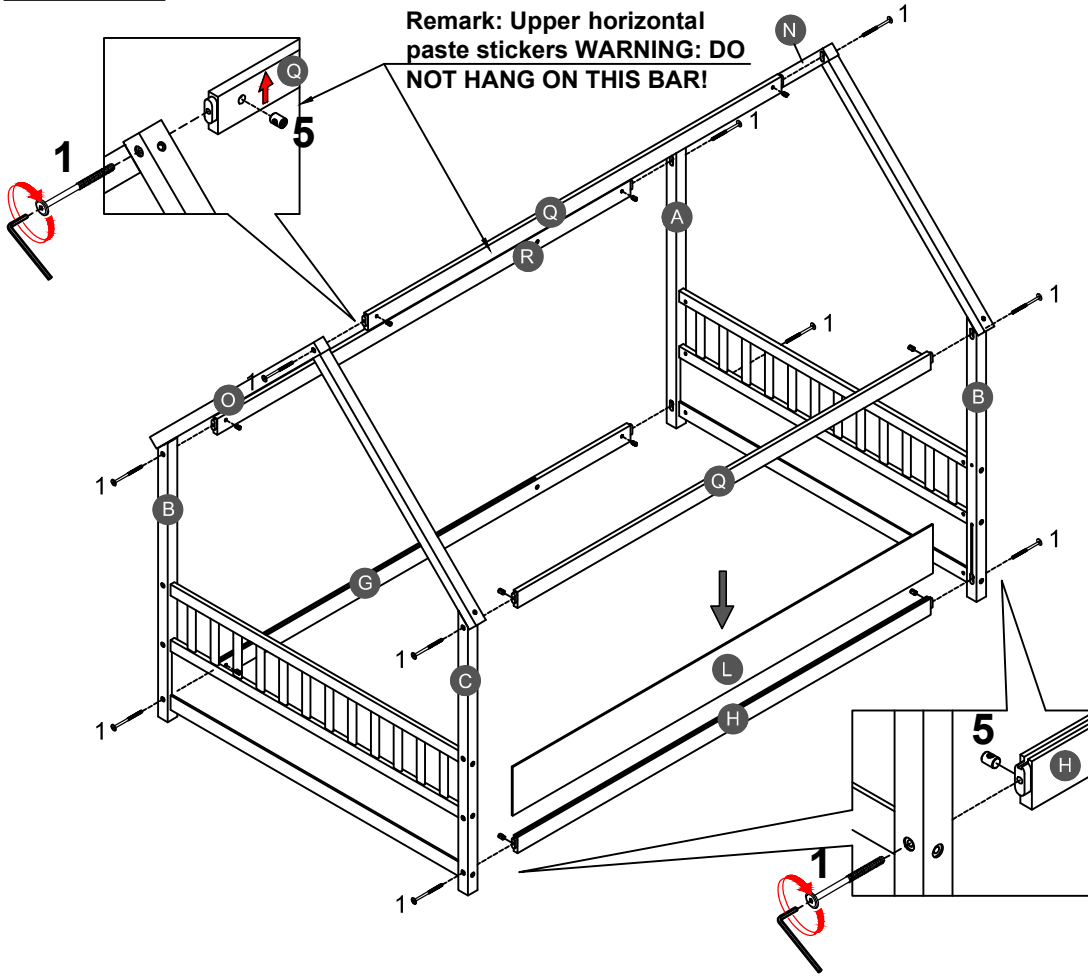
2		4		5	
6PCS		1PC		6PCS	

STEP 5:



4	
2PCS	

STEP 6:



1



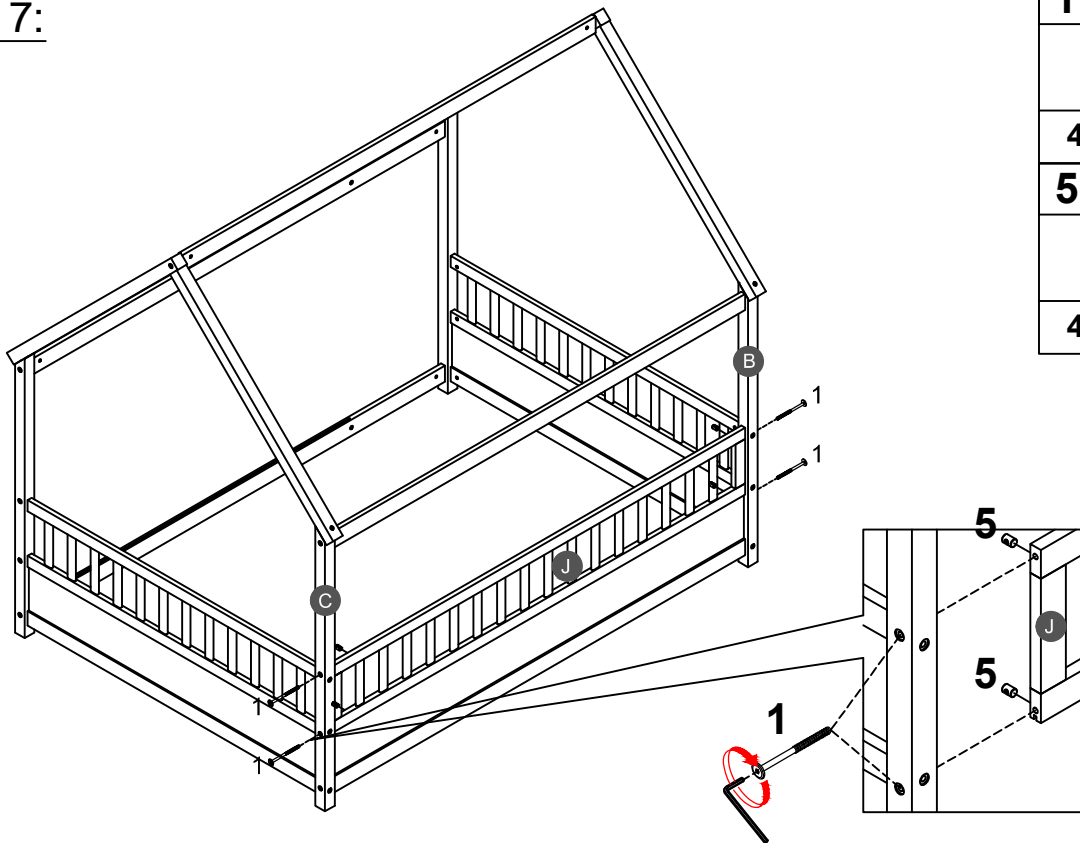
10PCS

5



10PCS

STEP 7:



1



4PCS

5



4PCS

STEP 8:

