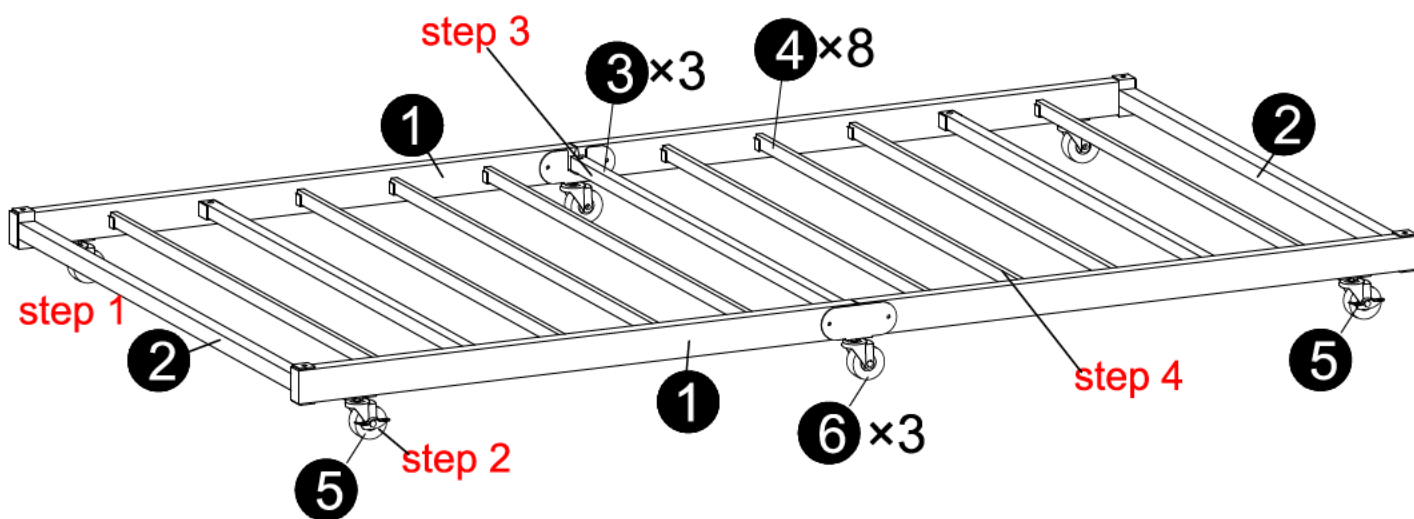

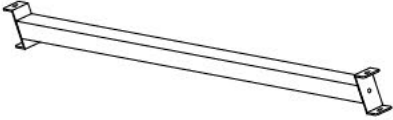








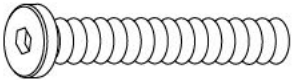
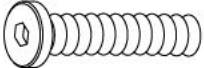


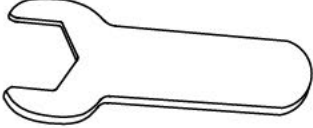

Easy assembly by following step 1、 step 2、 step 3...



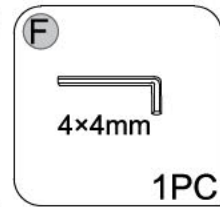
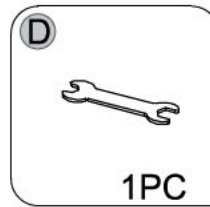
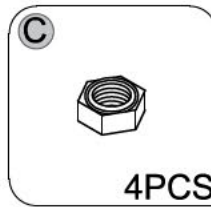
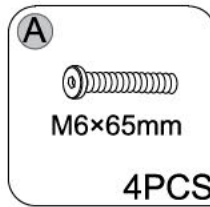
# Components

<b>1</b>		2PCS
<b>2</b>		2PCS
<b>3</b>	<p>With Screw Holes</p> 	3PCS
<b>4</b>	<p>Without Screw Holes</p> 	8PCS
<b>5</b>		2PCS
<b>6</b>		4PCS

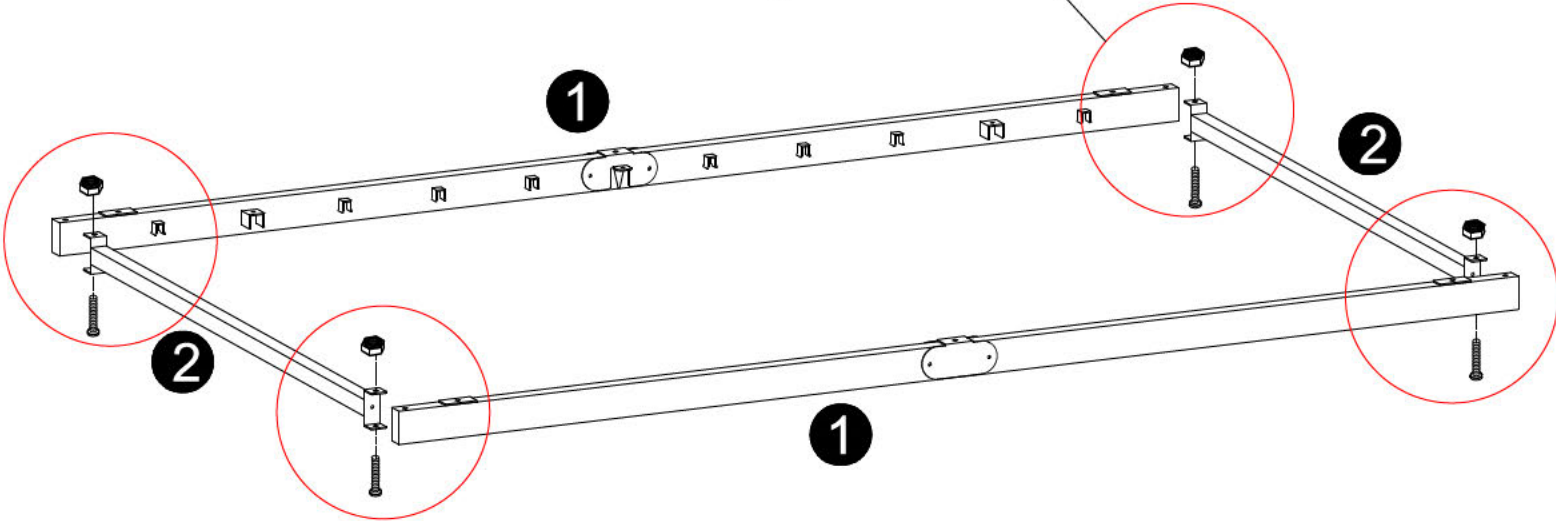
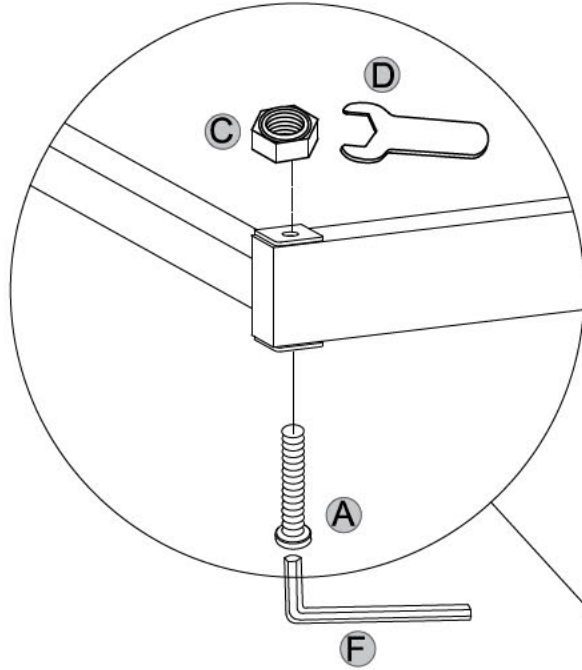
# Screws & Tools

<b>A</b>		M6×65mm	4PCS
<b>B</b>		M6×30mm	6PCS
<b>C</b>			4PCS
<b>D</b>			1PC
<b>E</b>		Wrench 12mm	1PC
<b>F</b>		4×4mm	1PC

# step 1

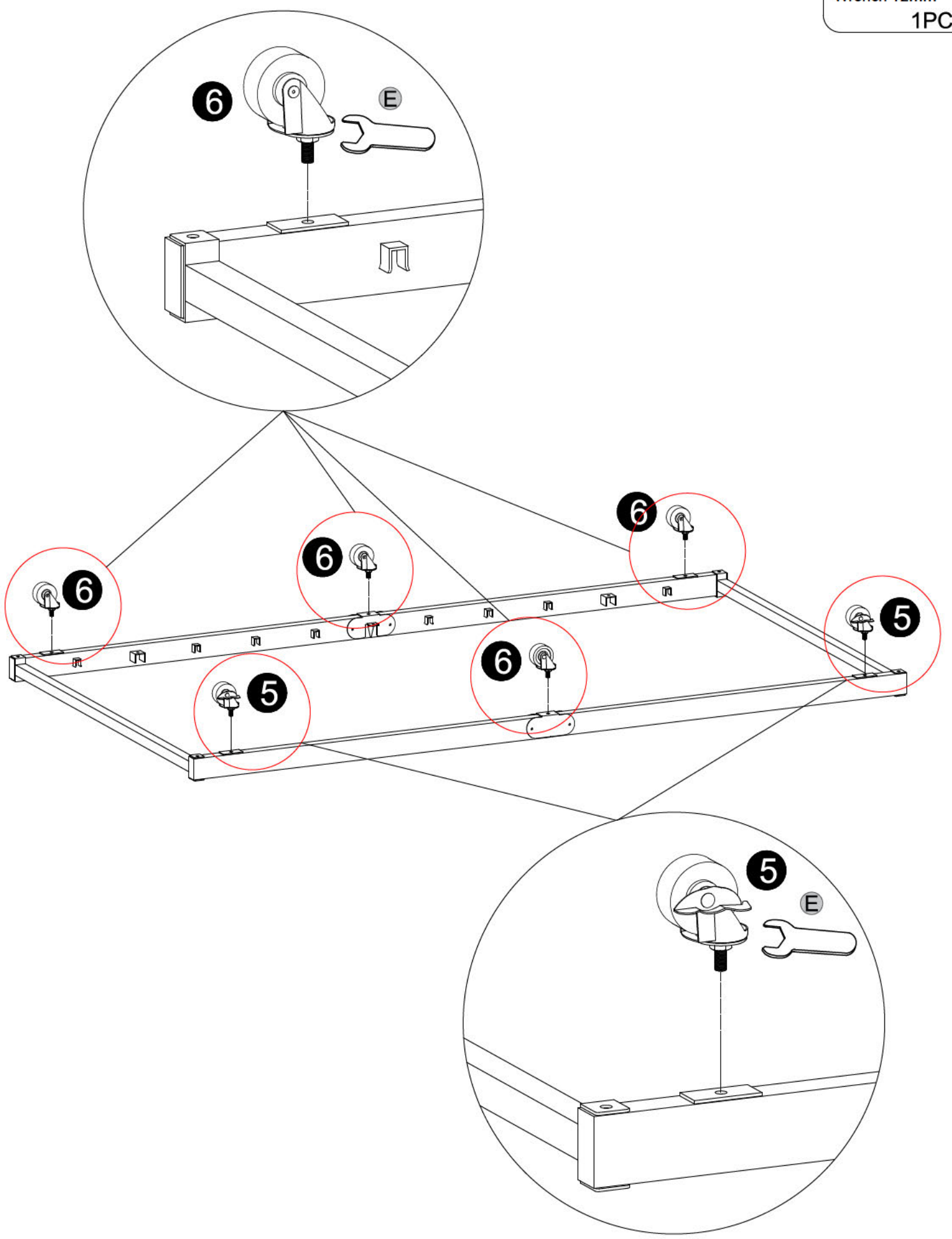


Note: For easy setup intention, do not tighten screws during the installation process



# step 2

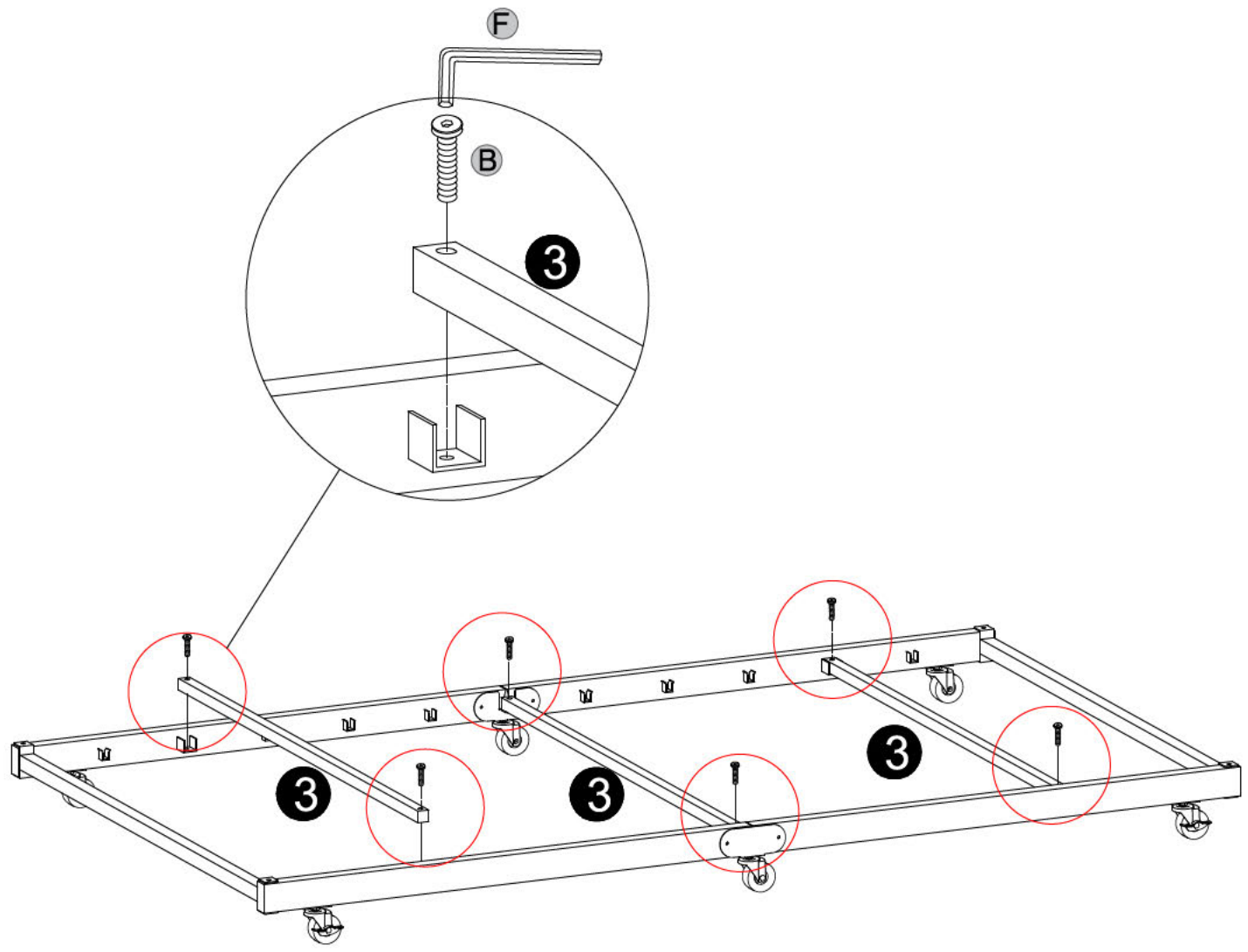
**E**  
Wrench 12mm  
1PC



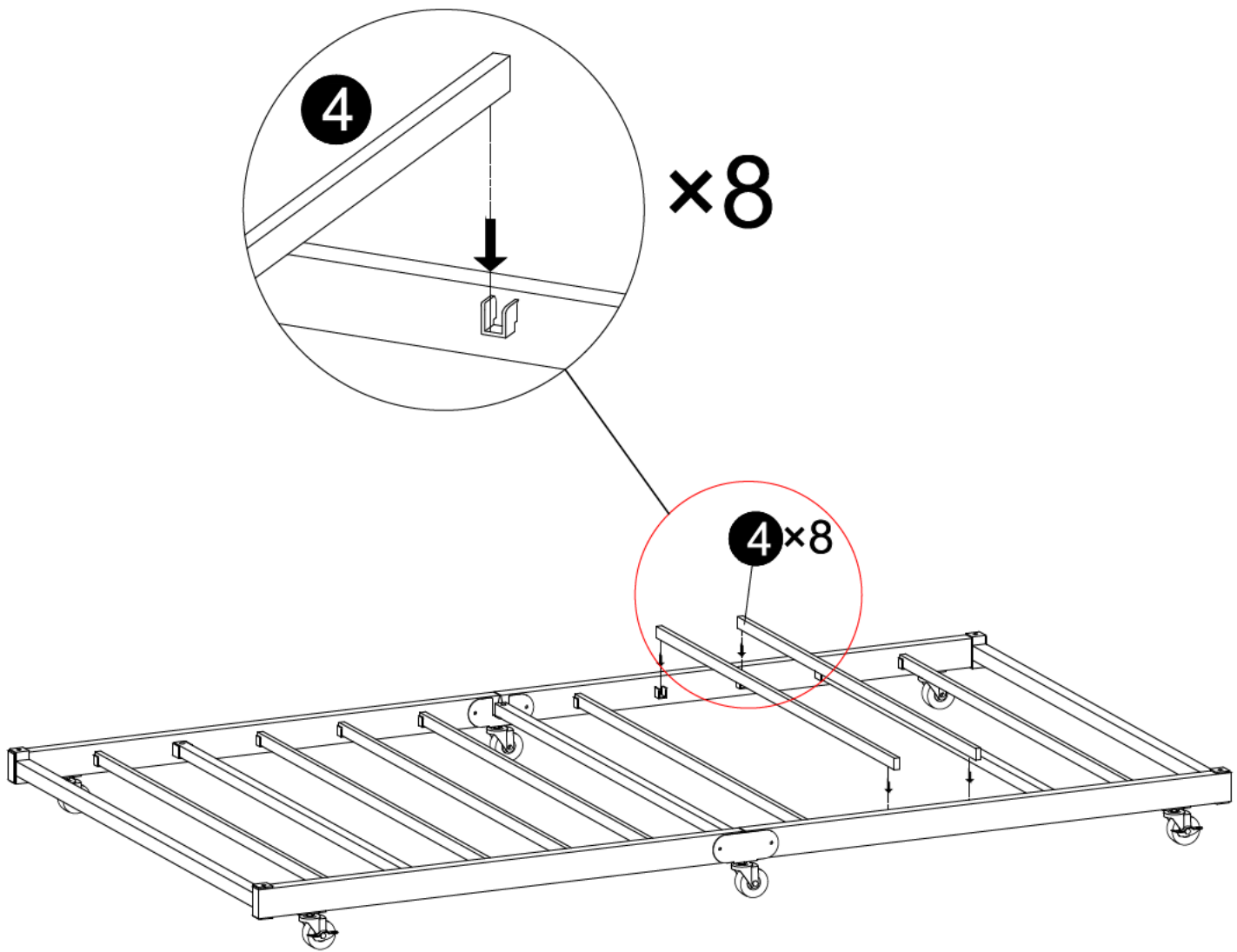
# step 3

**B**  
M6×30mm  
6PCS

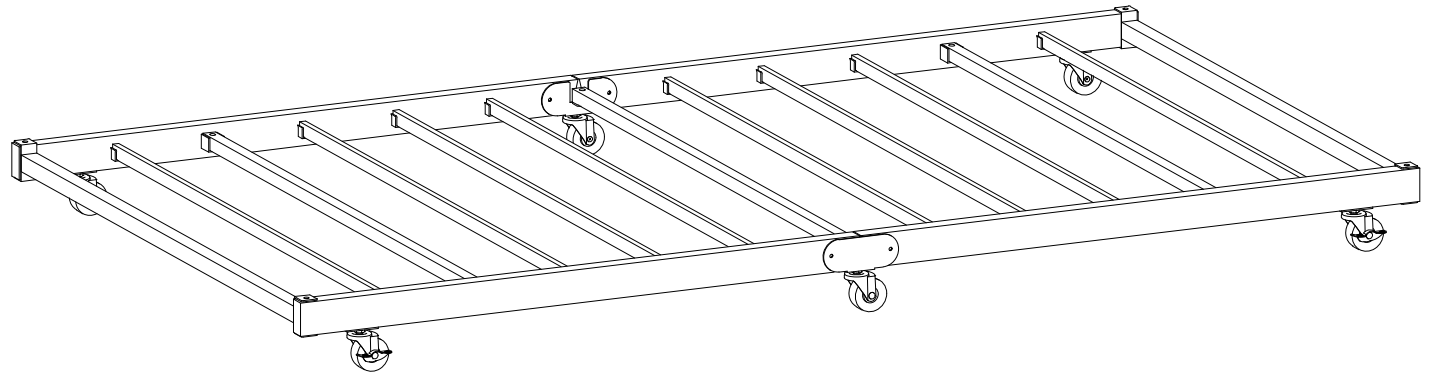
**F**  
4×4mm  
1PC

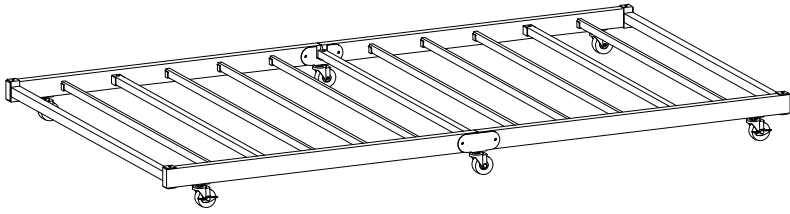


# step 4



# step 5 Check and tighten all screws





# Bed Frame

---

