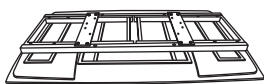


ASSEMBLY INSTRUCTION



① x1

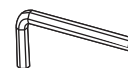


② x2



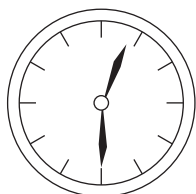
M8x20mm

③ x8



#6

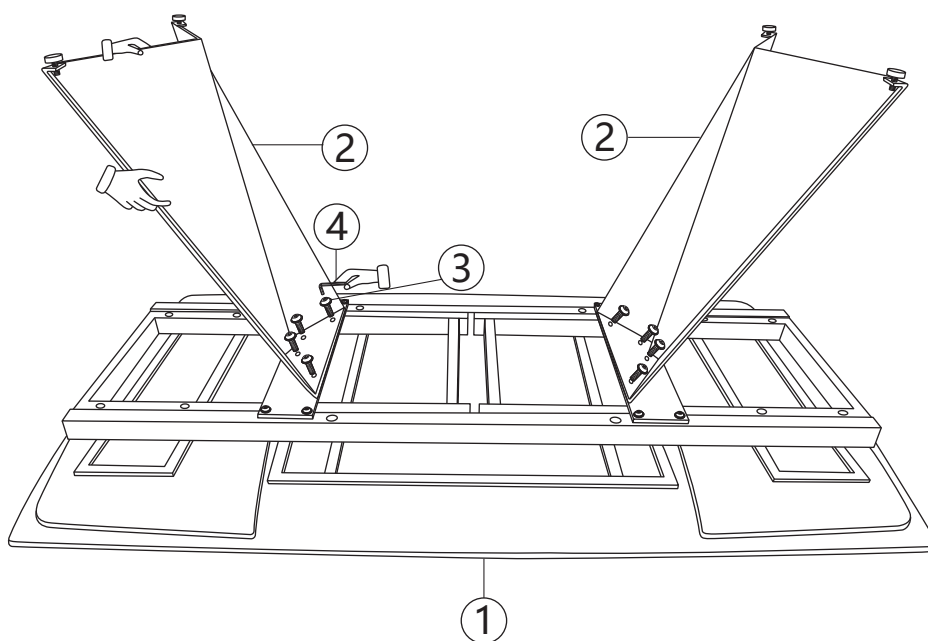
④ x1



⑤ x1



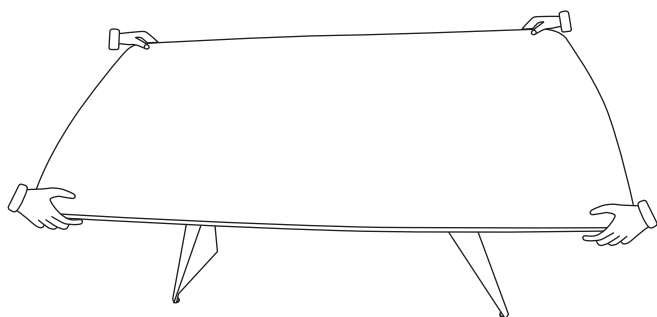
Unboxing and Installation Video



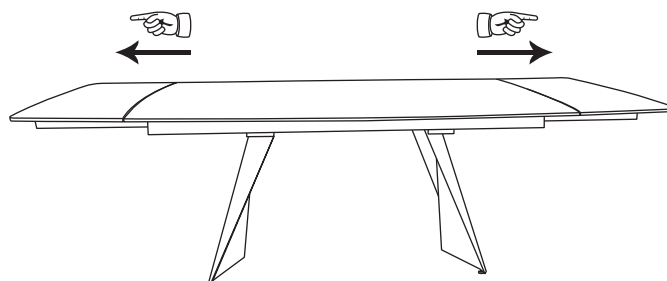
2



The goods are heavy, Prevent from being hit.



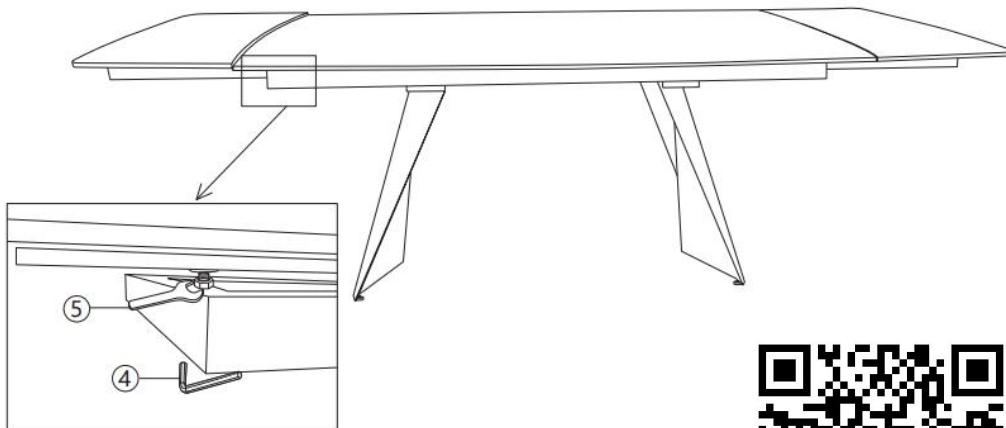
3



Product FAQ

Q : What if the table top is uneven?

A : Please scan the QR code (video for adjusting uneven table top).



Q : How should I move the table correctly?

A : Please scan the QR code (leaf misalignment adjustment video).



If the problem still cannot be solved after adjustment according to the video, please contact email(bojoyservice@outlook.com) Professionals will answer your question.