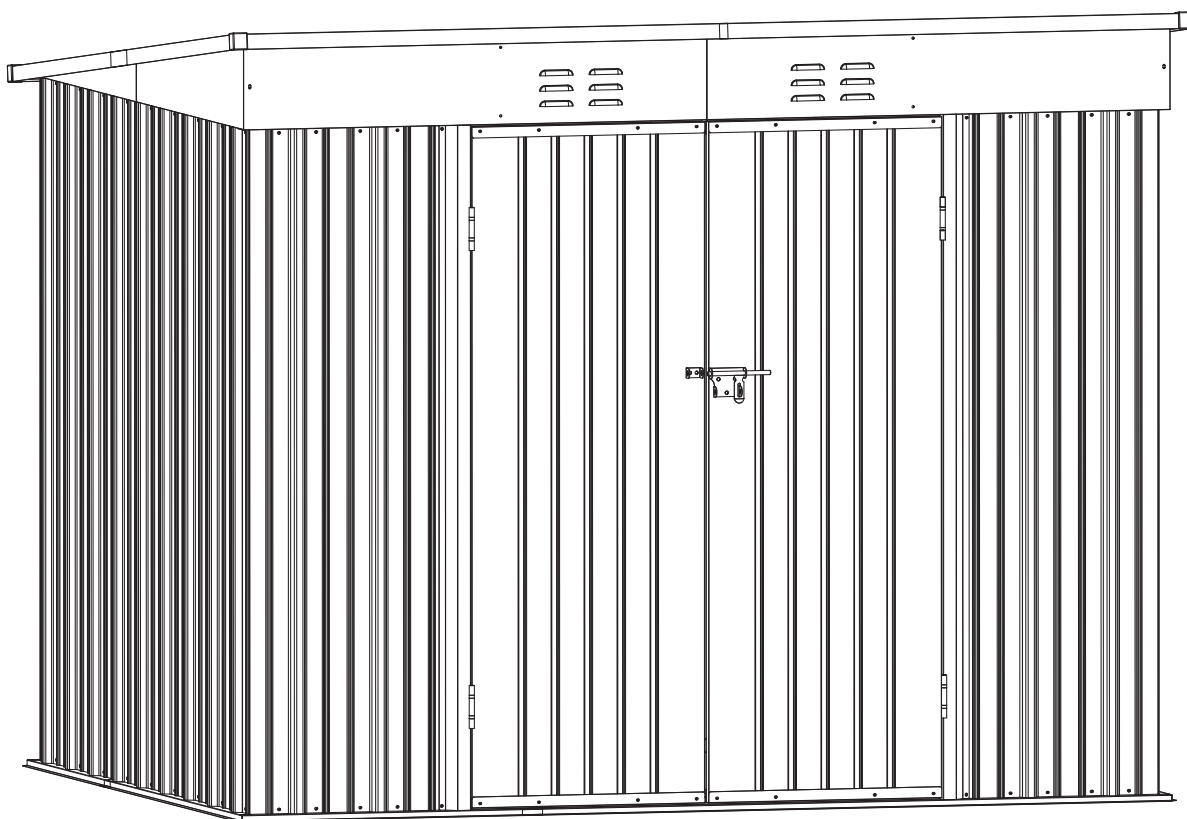


ASSEMBLY INSTRUCTIONS

METAL GARDEN SHED

SKU: T-PS23-0288



E-mail:
hofficeservice@gmail.com



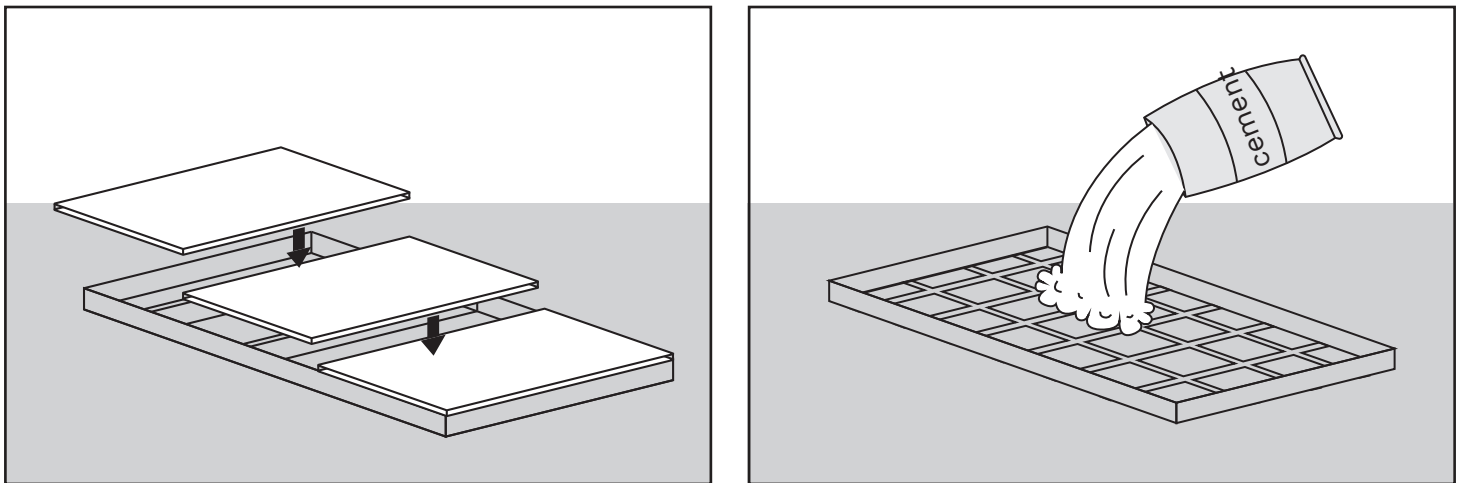
Please read the instructions strictly,
please assemble this table according
to the instruction assembly order.

SITE PREPARATION

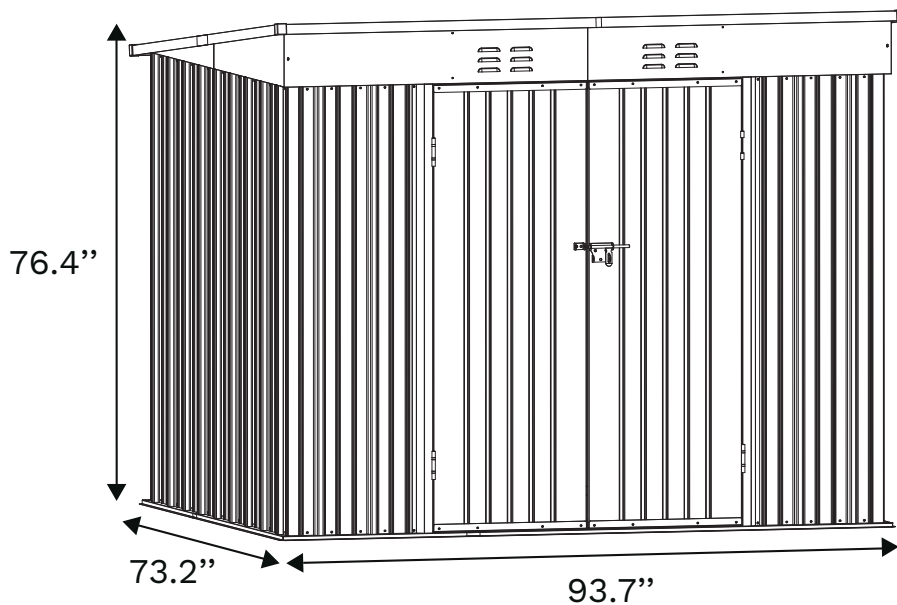
Level the ground surface.



Recommendation: Construct a wooden or concrete base as a foundation.



The external dimensions of the product :



BEFORE STARTING ASSEMBLY

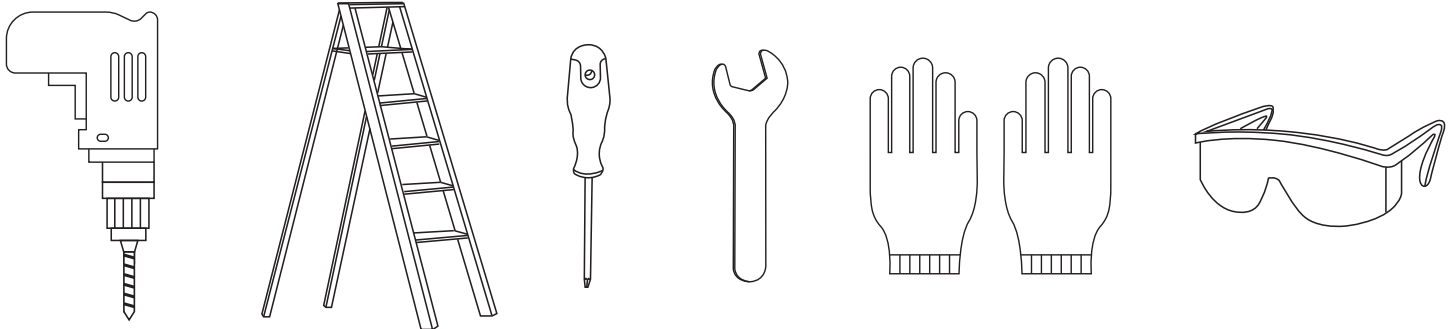
Remove all of the pieces from the 2 packages and spread them out on the ground. Before installation, please check the type and quantity of parts first.

It is recommended to use a clean work surface to spread the parts out and for pre-assembly steps. Review all instructions before you begin, continue to refer to instructions during assembly.

Be sure to follow all steps thoroughly.

Please prepare these components in advance at the beginning of each stage.

REQUIRED TOOLS



CAUTION

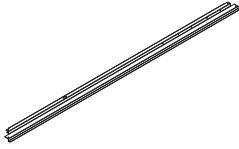
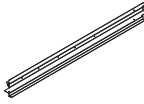
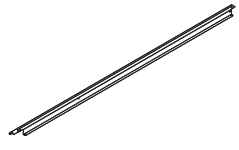
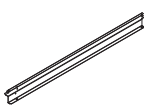
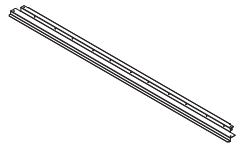
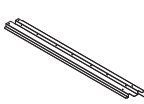
Some parts have steel edges. Please be careful when handling components. Always wear work gloves, eye protection and long sleeves when assembling or performing any maintenance on your shed. Do not attempt assembly on days with strong winds or low temperatures.



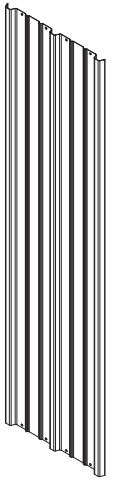
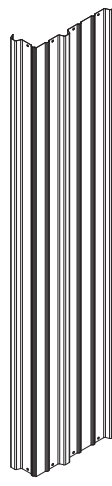
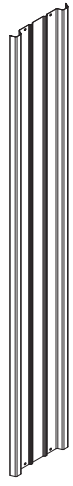
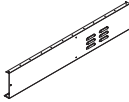
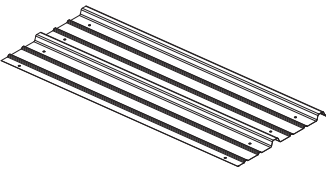
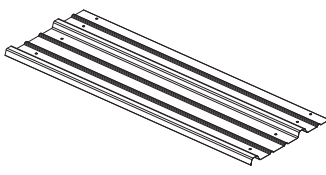
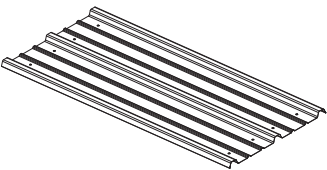
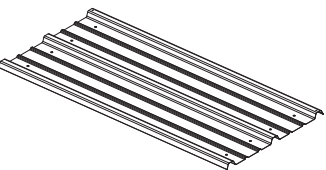
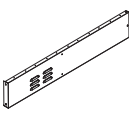
Requires two people and takes 2-3 hours for Installation. Recommended to wear gloves to avoid scratches. Please read the manual carefully before installation.

**DO NOT RETURN YOUR UNIT
TO THE STORE
Contact us first
saleservice@patiowell.com**

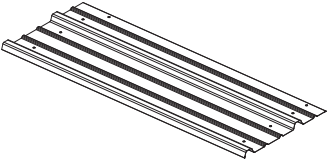
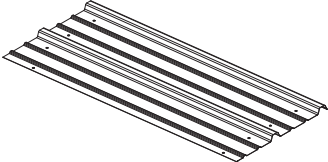
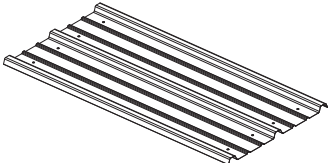
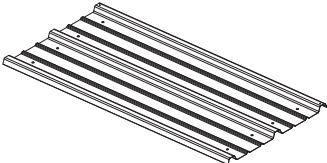
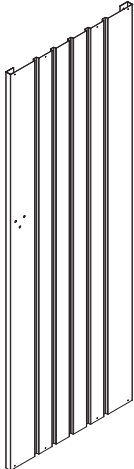
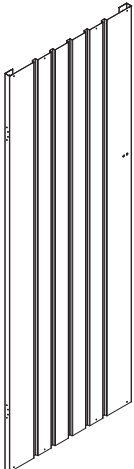
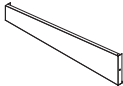
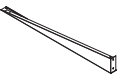
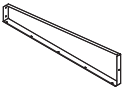

FOUNDATION

BE1 X1		BE1L X1	
BE2 X1		BE2L X1	
BS3 X2		BS3L X2	



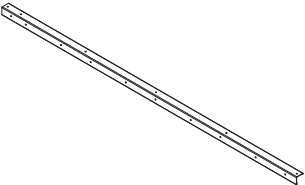
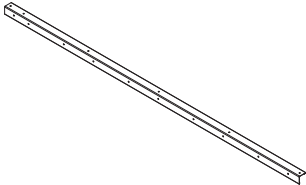
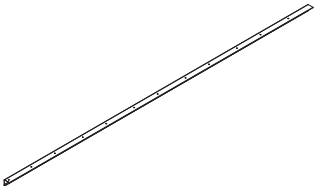
PLATES

			
W1A X12	WS2A X4	WS3A X2	12L X1
			
P1 X1	P2 X1	P3 X2	P3A X2
			
			12R X1

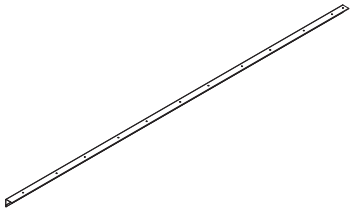
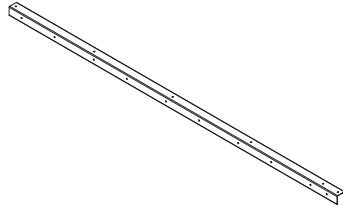
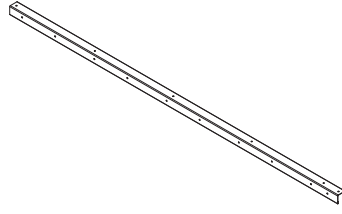
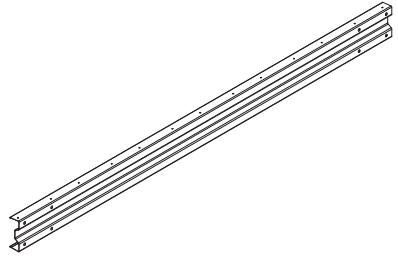
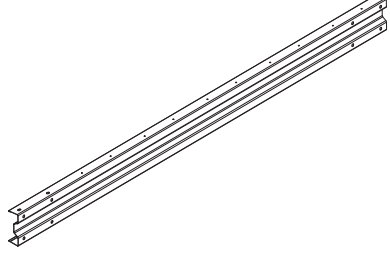
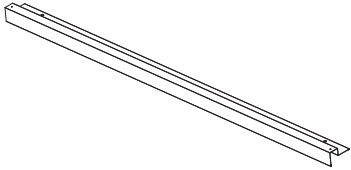
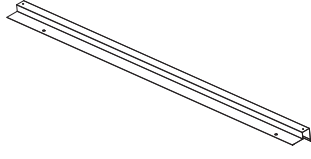
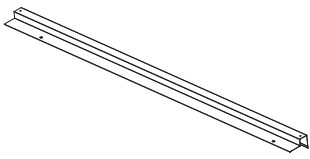
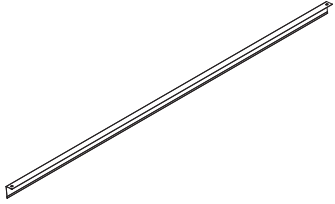
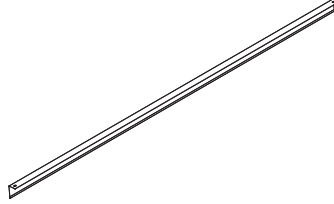
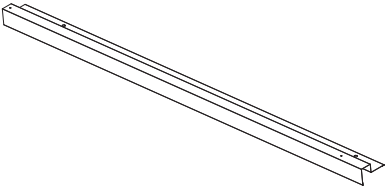
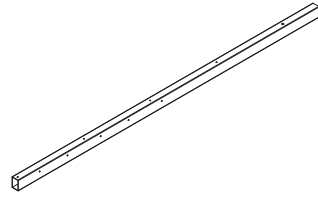
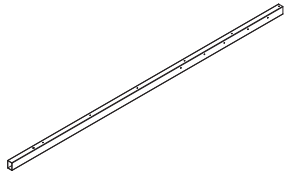
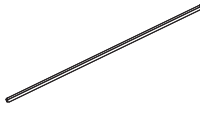
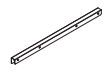
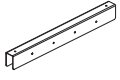
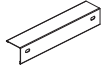


PLATES

 <p>P4 X1</p>	 <p>P5 X1</p>		
 <p>P6 X2</p>	 <p>P6A X2</p>		
 <p>DRA X1</p>	 <p>DLA X1</p>	 <p>21L1 X1</p>	 <p>21L2 X1</p>
		 <p>21R1 X1</p>	 <p>21R2 X1</p>

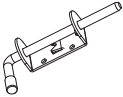
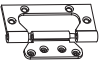

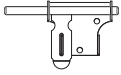

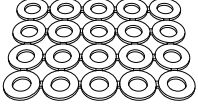

STRIPS

 <p>ULA X1</p>	 <p>UR1 X1</p>	 <p>9 X1</p>	 <p>9L X1</p>
		 <p>10L X1</p>	



STRIPS

 <p>10R X1</p>	 <p>11 X1</p>	 <p>11L X1</p>	
 <p>13 X1</p>	 <p>14 X1</p>		
 <p>15 X1</p>	 <p>16 X1</p>	 <p>16A X1</p>	
 <p>17 X2</p>	 <p>18 X2</p>		
 <p>15A X1</p>	 <p>US1 X1</p>		
 <p>US1R X1</p>	 <p>DX2 X4</p>	 <p>20 X4</p>	
 <p>GS X1</p>	 <p>B1 X4</p>	 <p>B2 X1</p>	 <p>B3 X1</p>

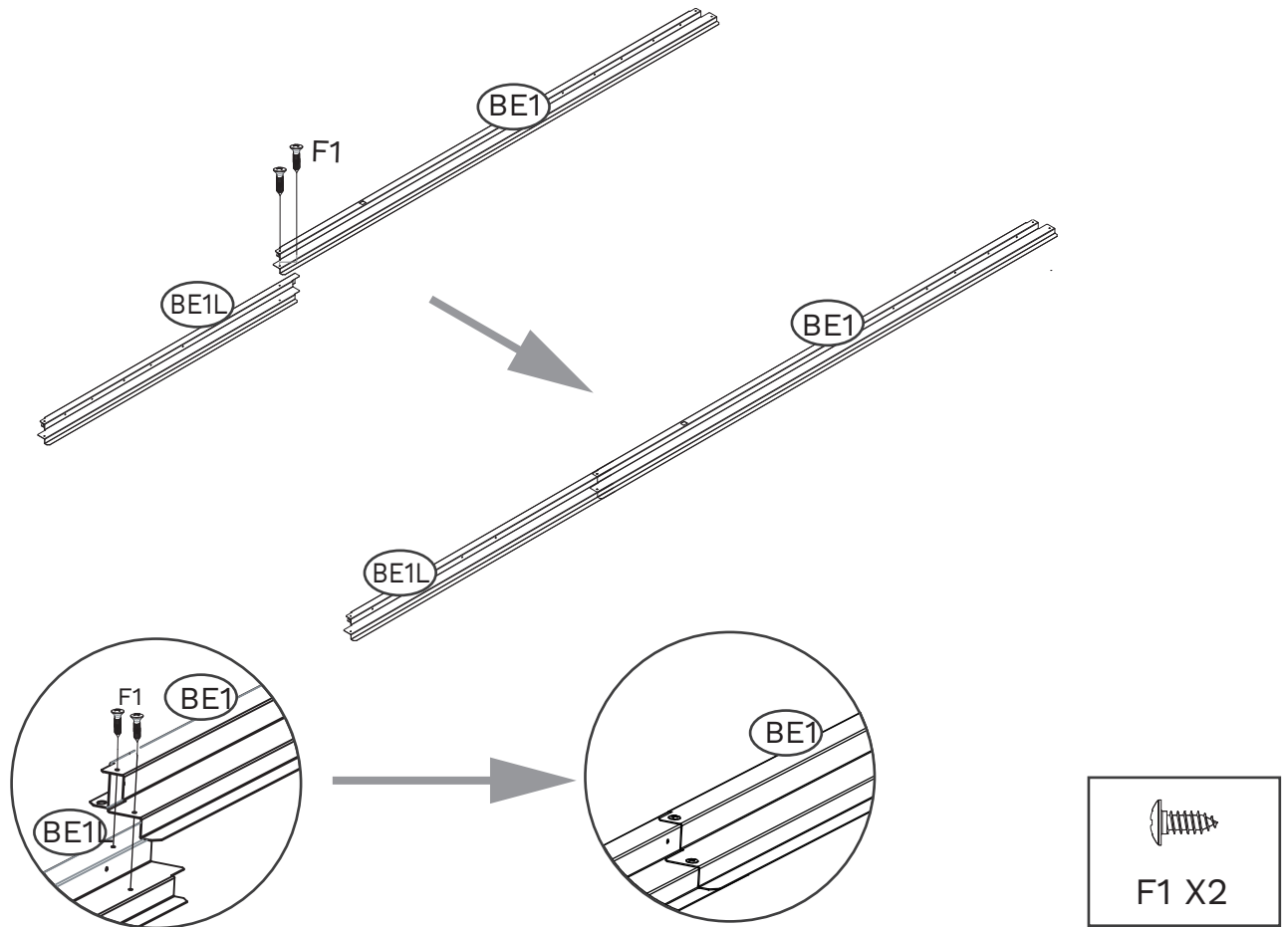
STANDARD

 DC X2	 DH X4	 DF X1	 DG X1
 GC X4	 V2 X200	 S1 X200	

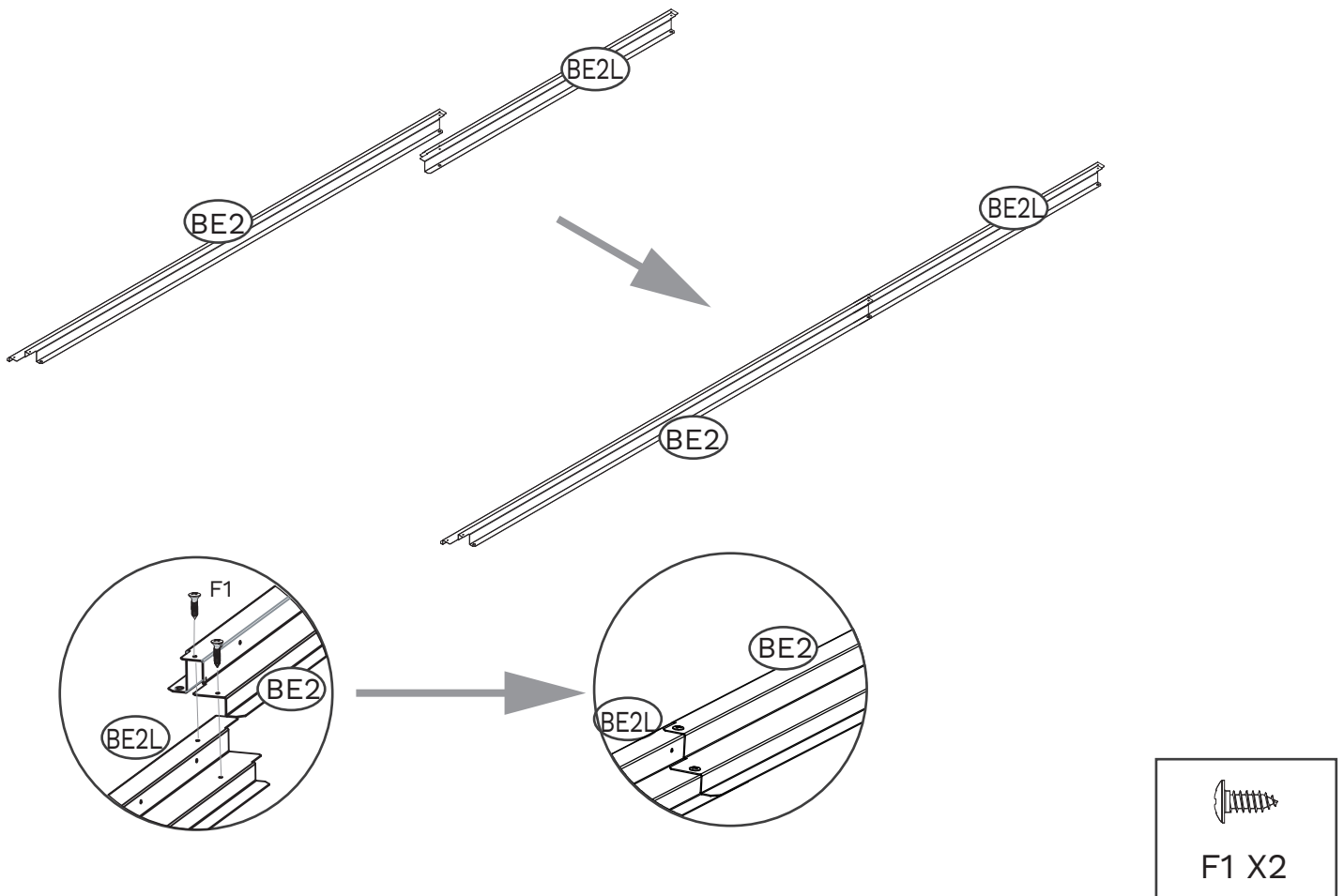
SCREW

 F1 X289	 F2 X20	 F3 X32	 F4 X5
--	---	--	--

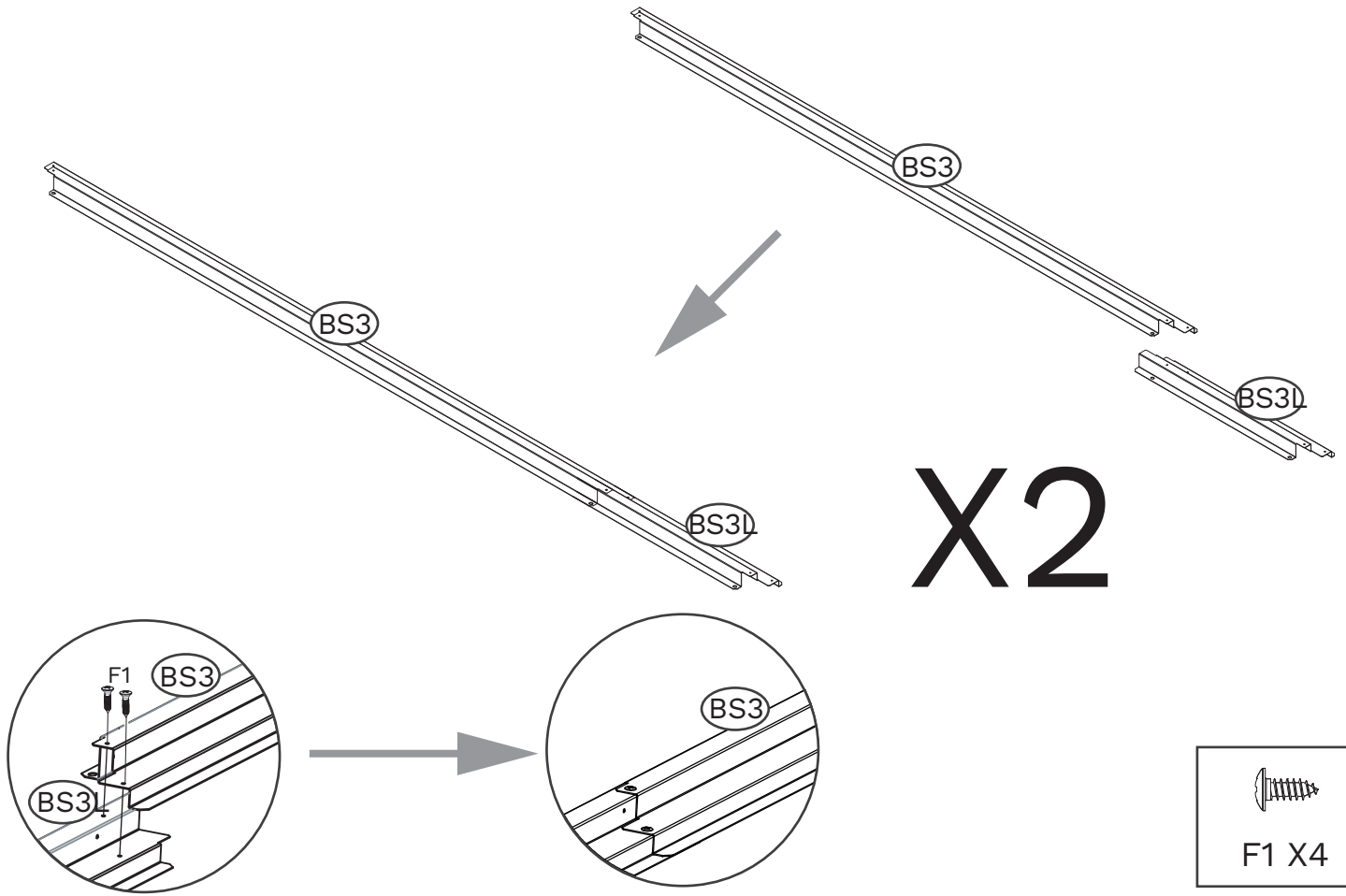
STEP 1



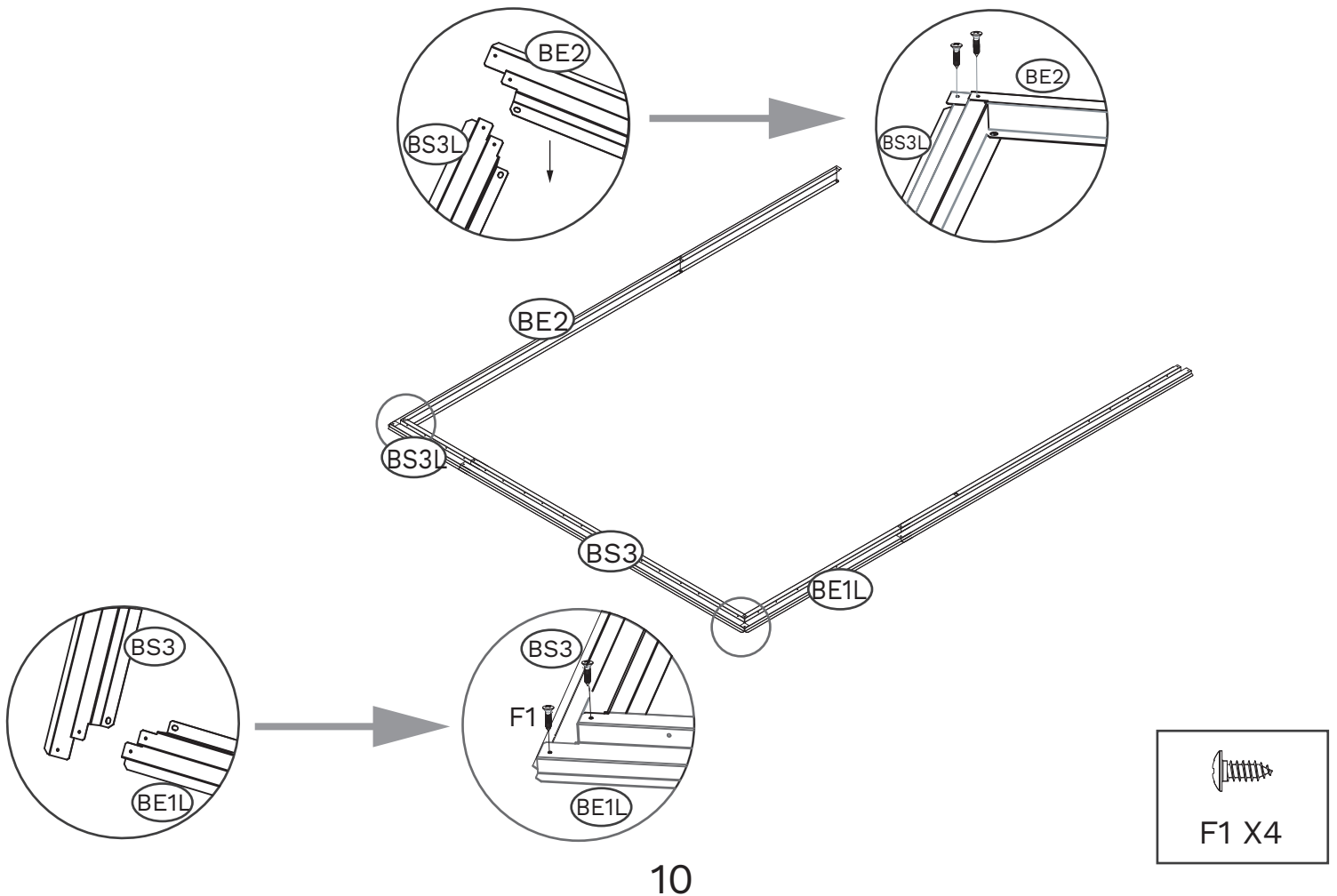
STEP 2



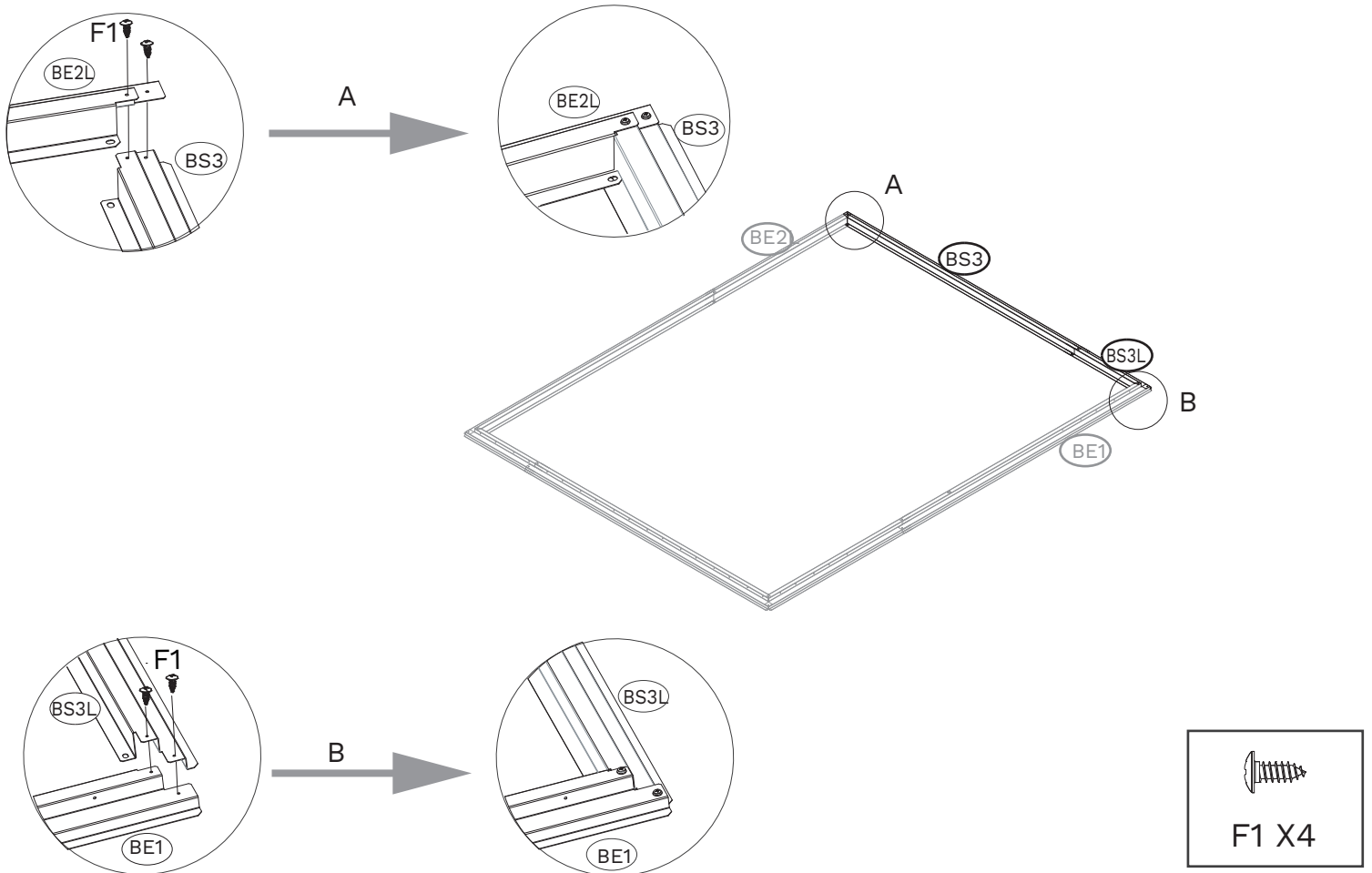
STEP 3



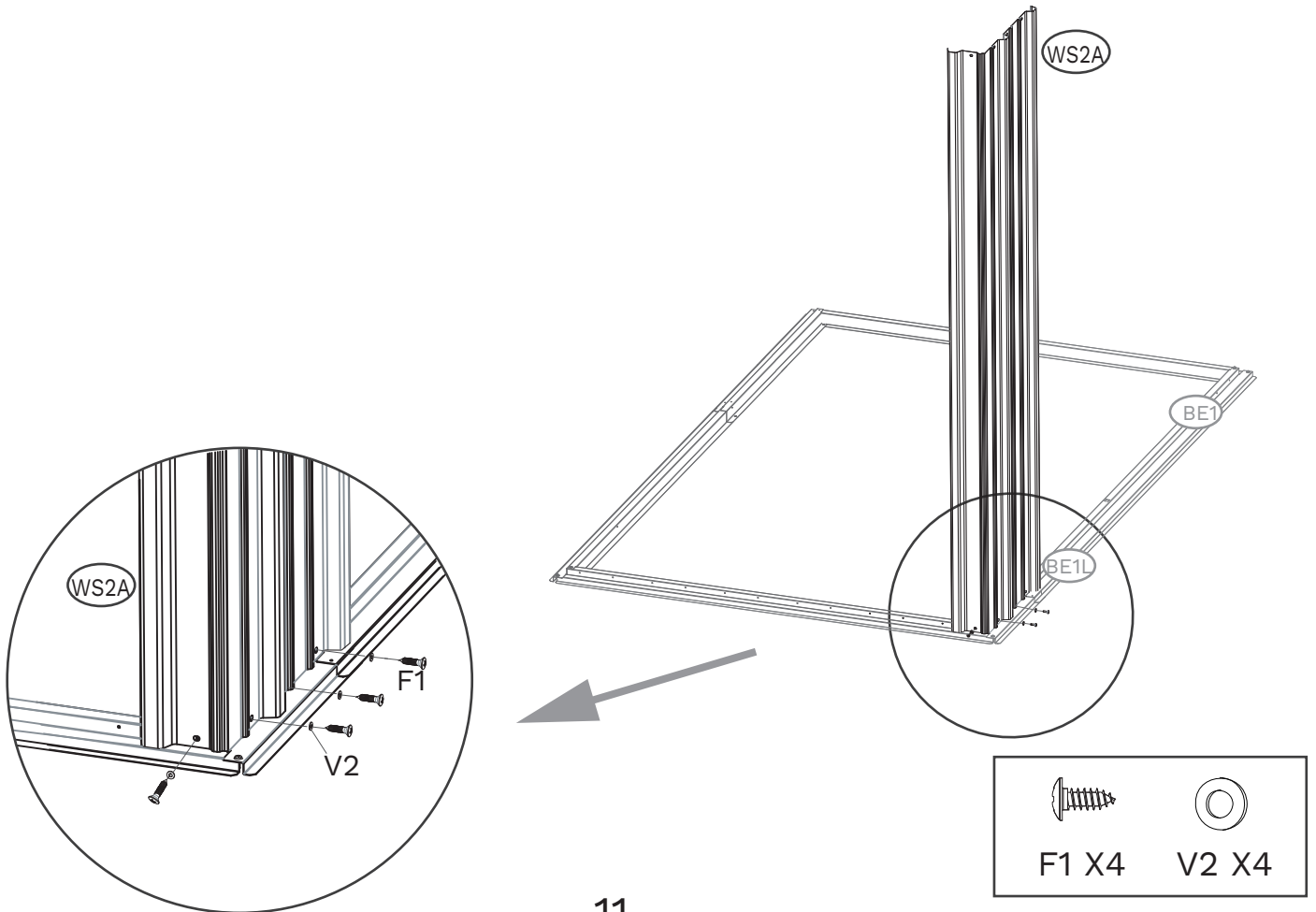
STEP 4



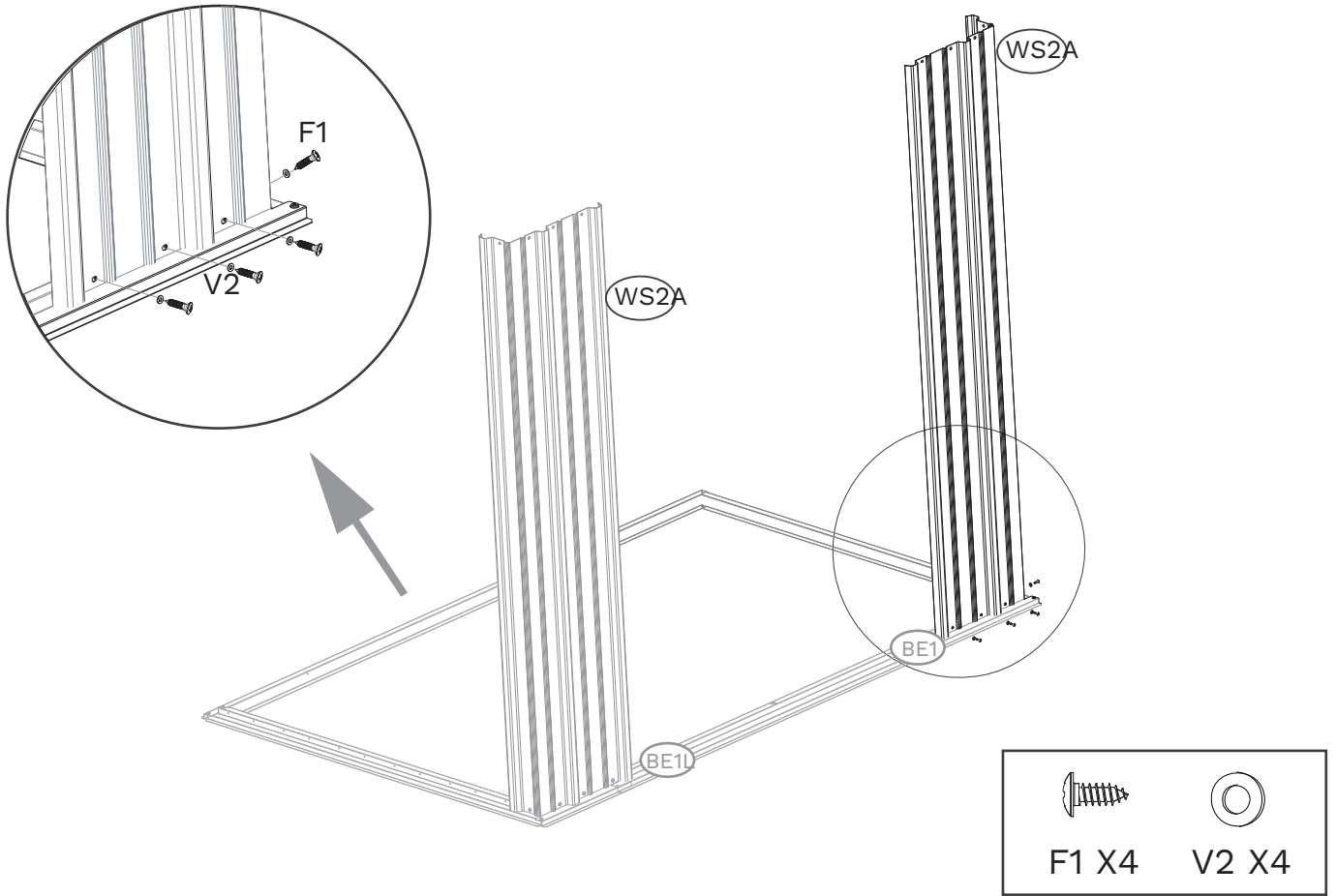
STEP 5



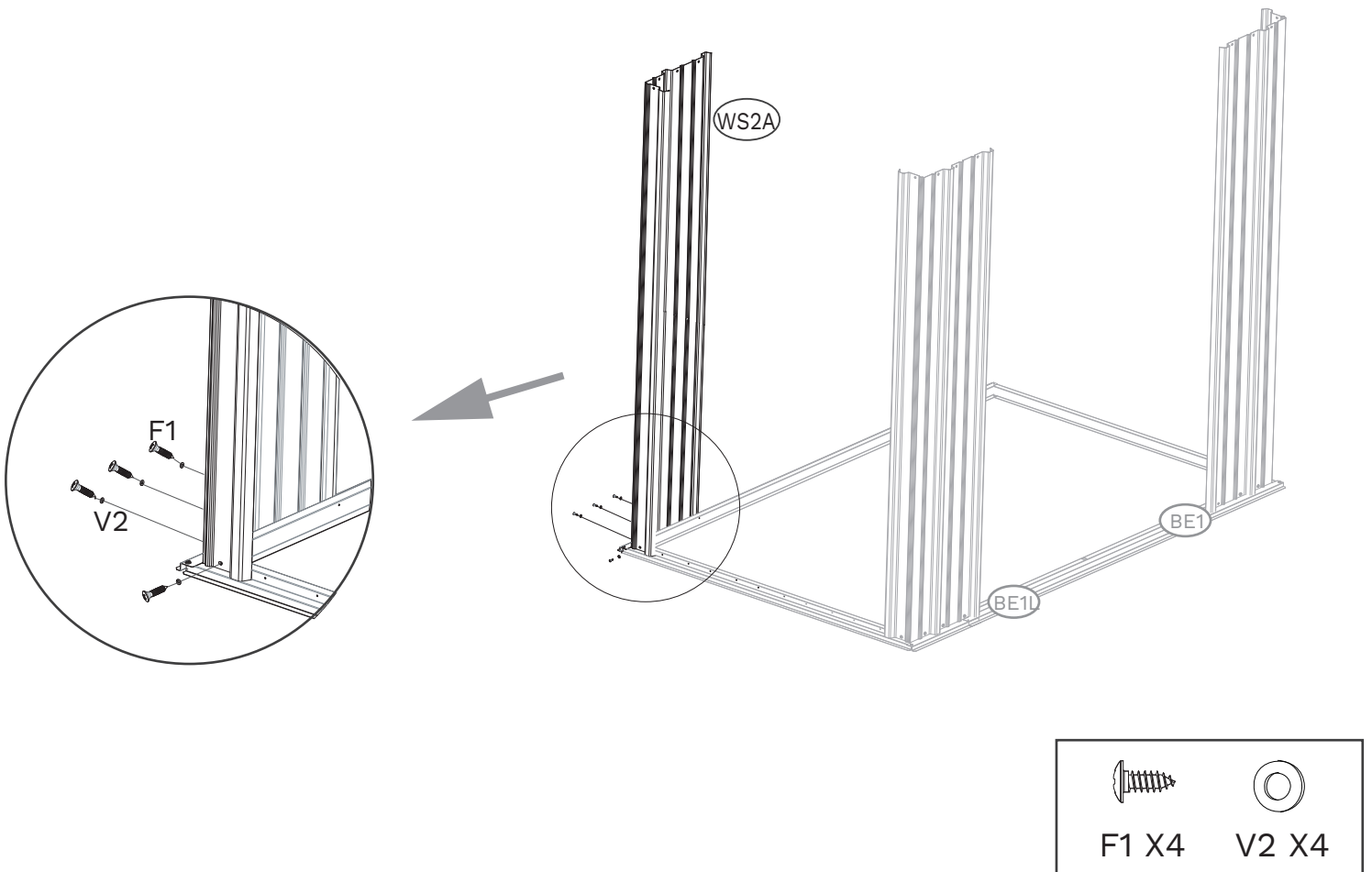
STEP 6



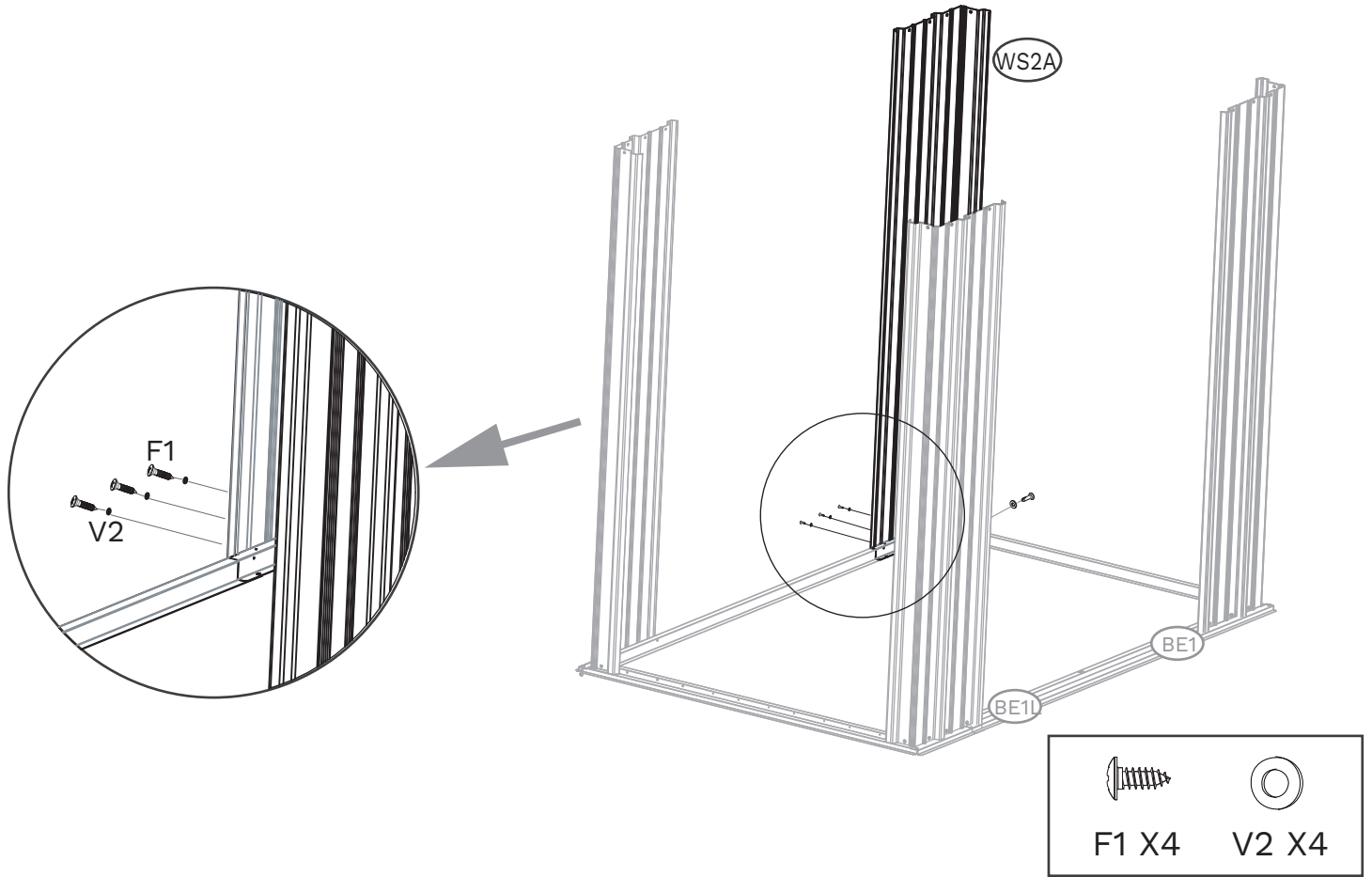
STEP 7



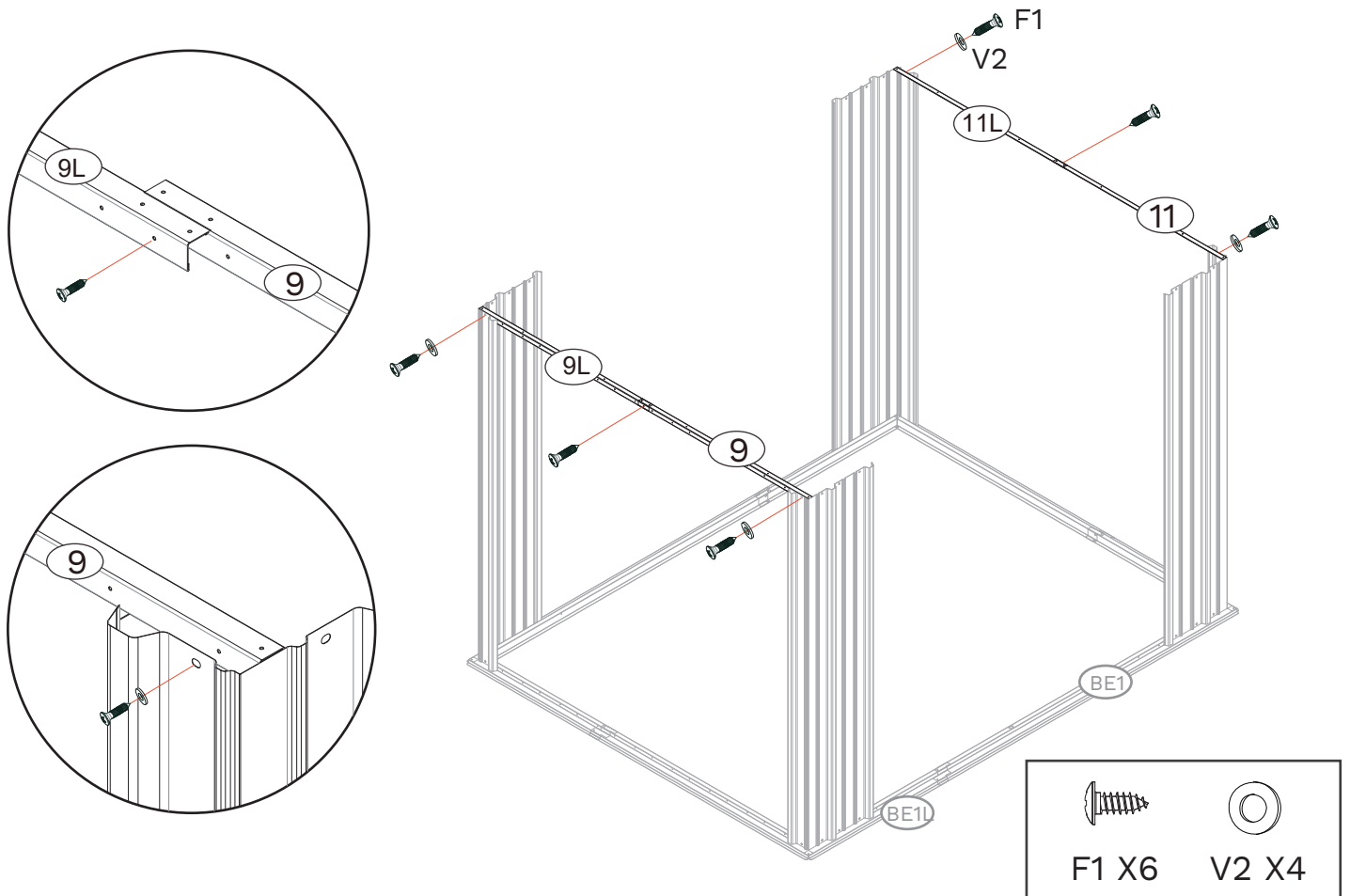
STEP 8



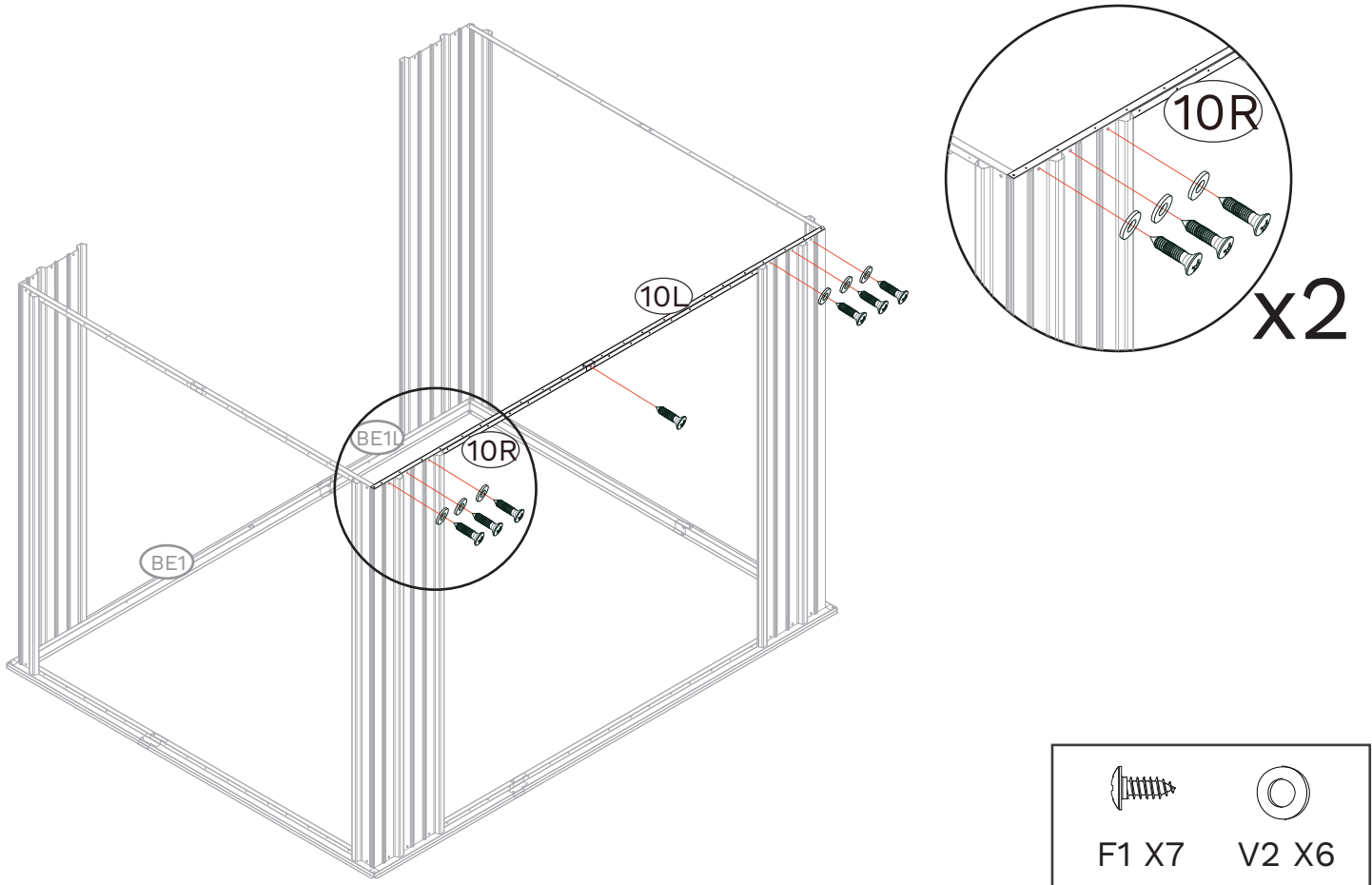
STEP 9



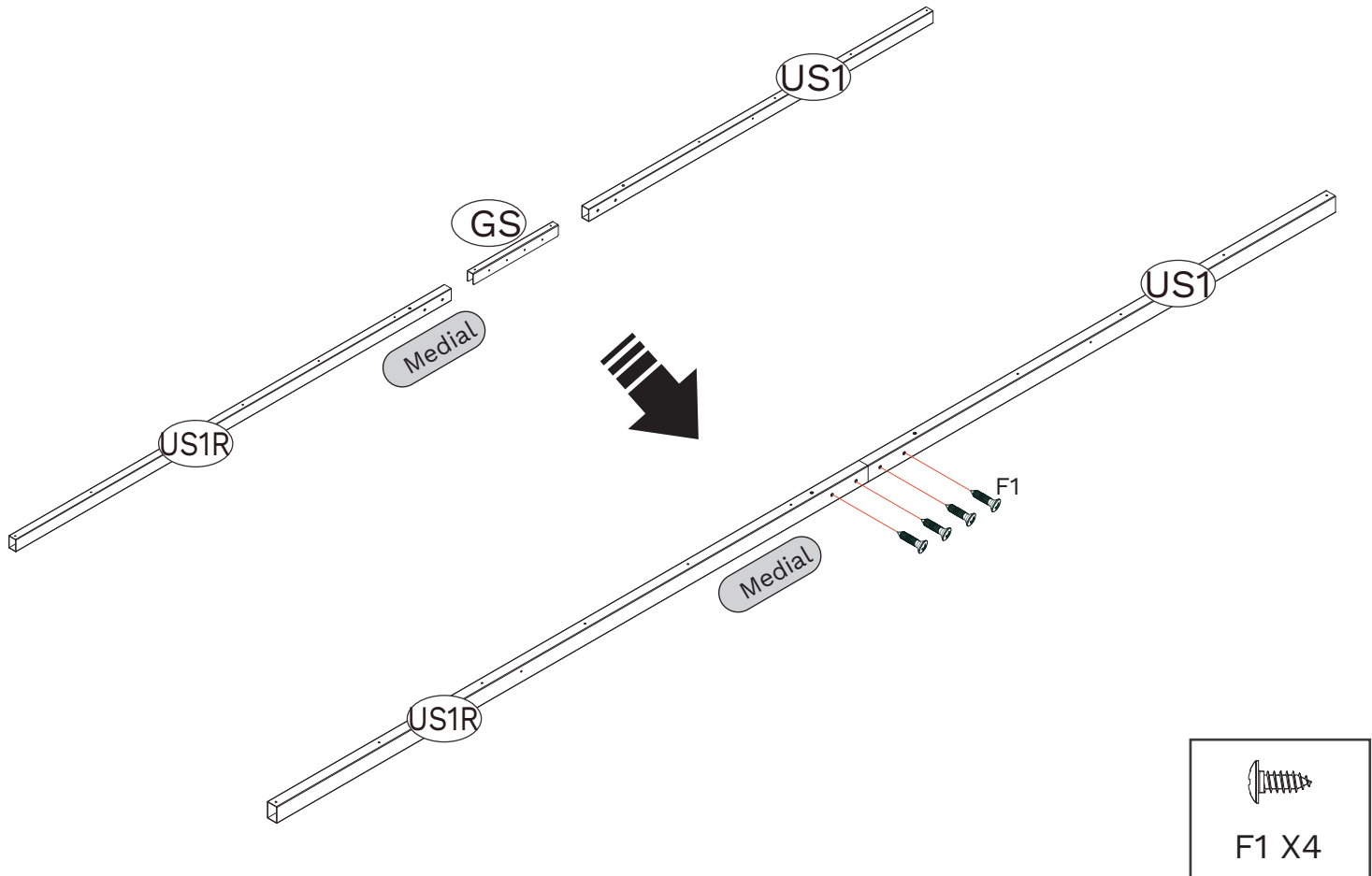
STEP 10



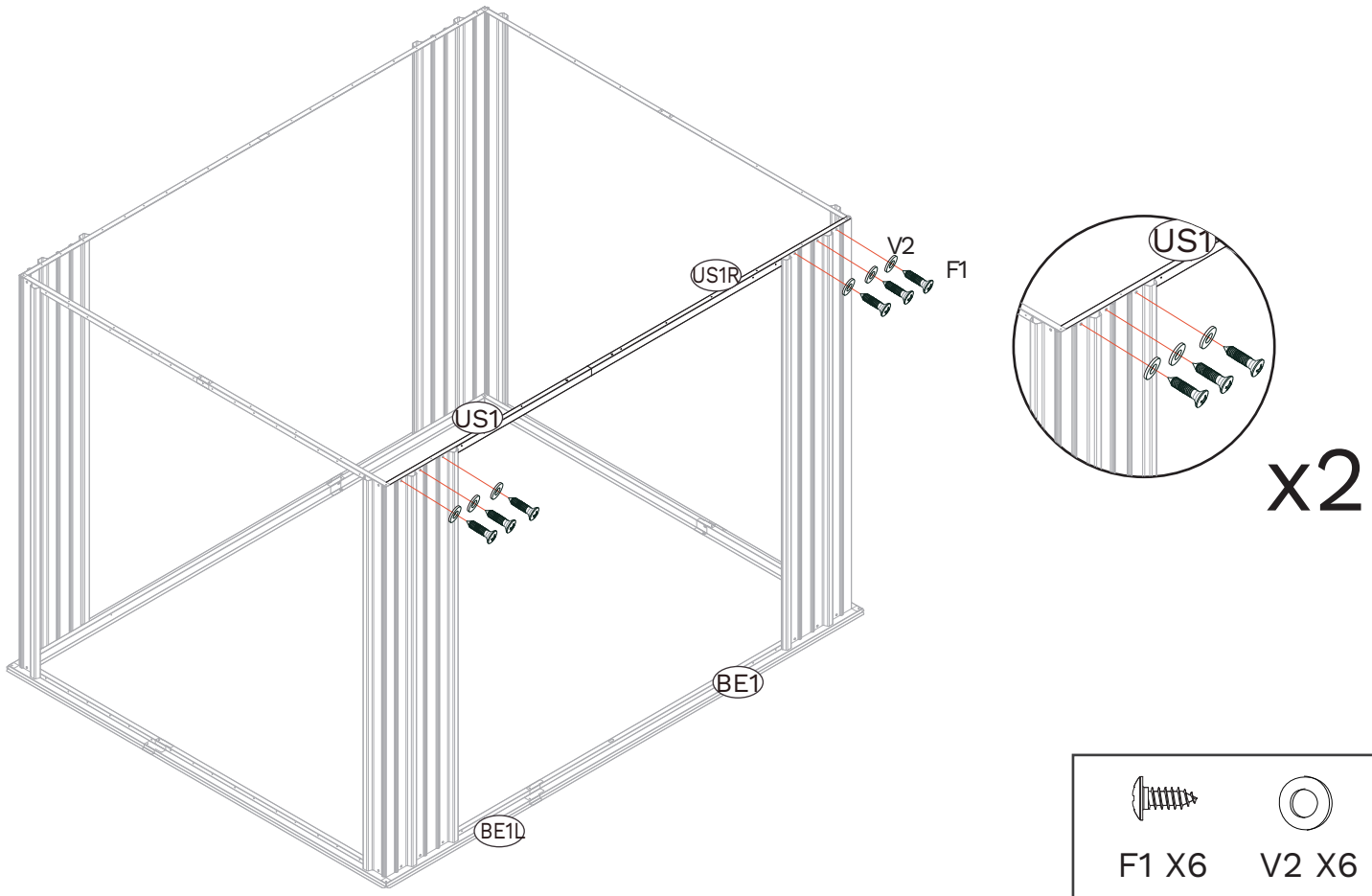
STEP 11



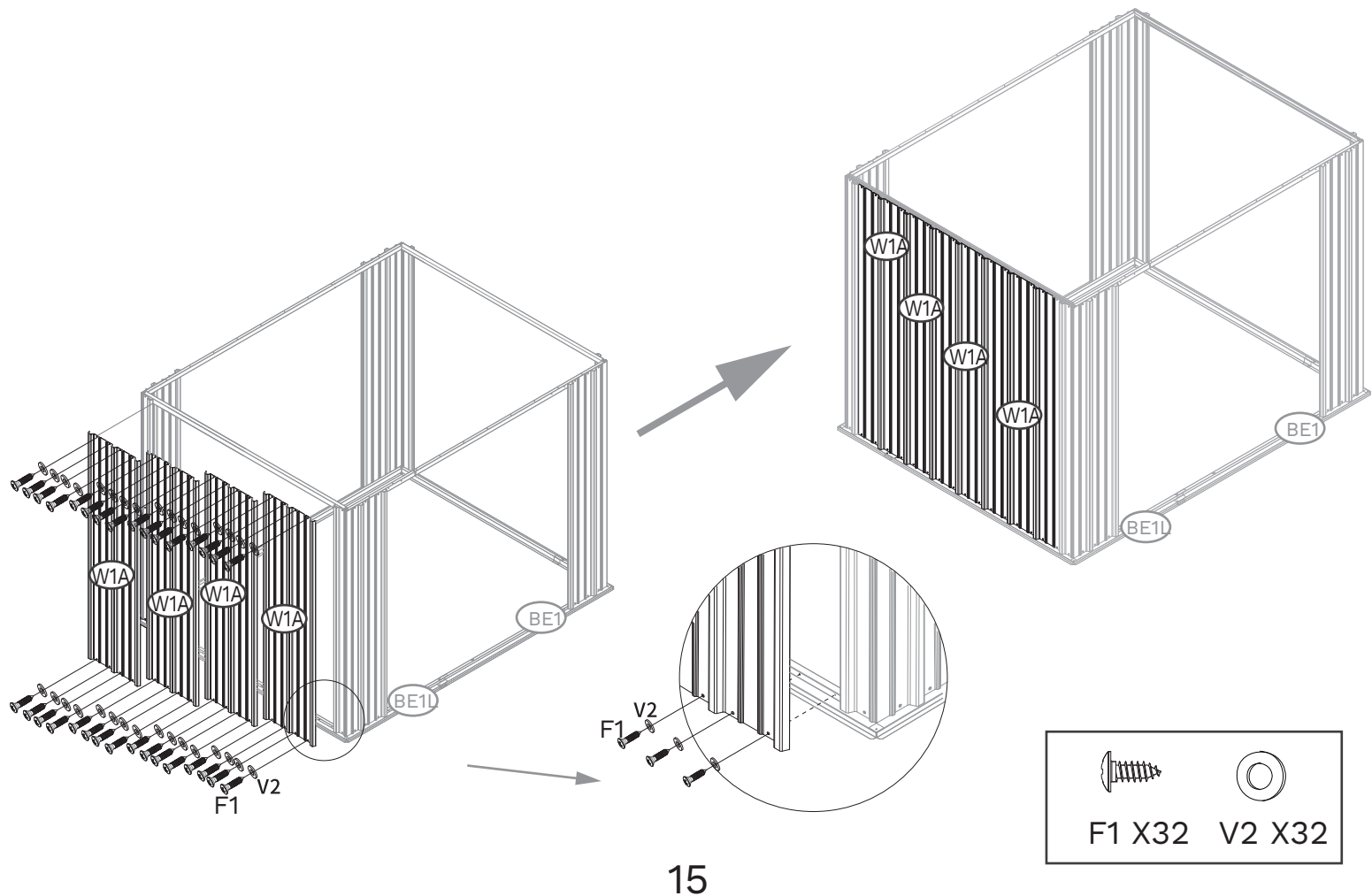
STEP 12



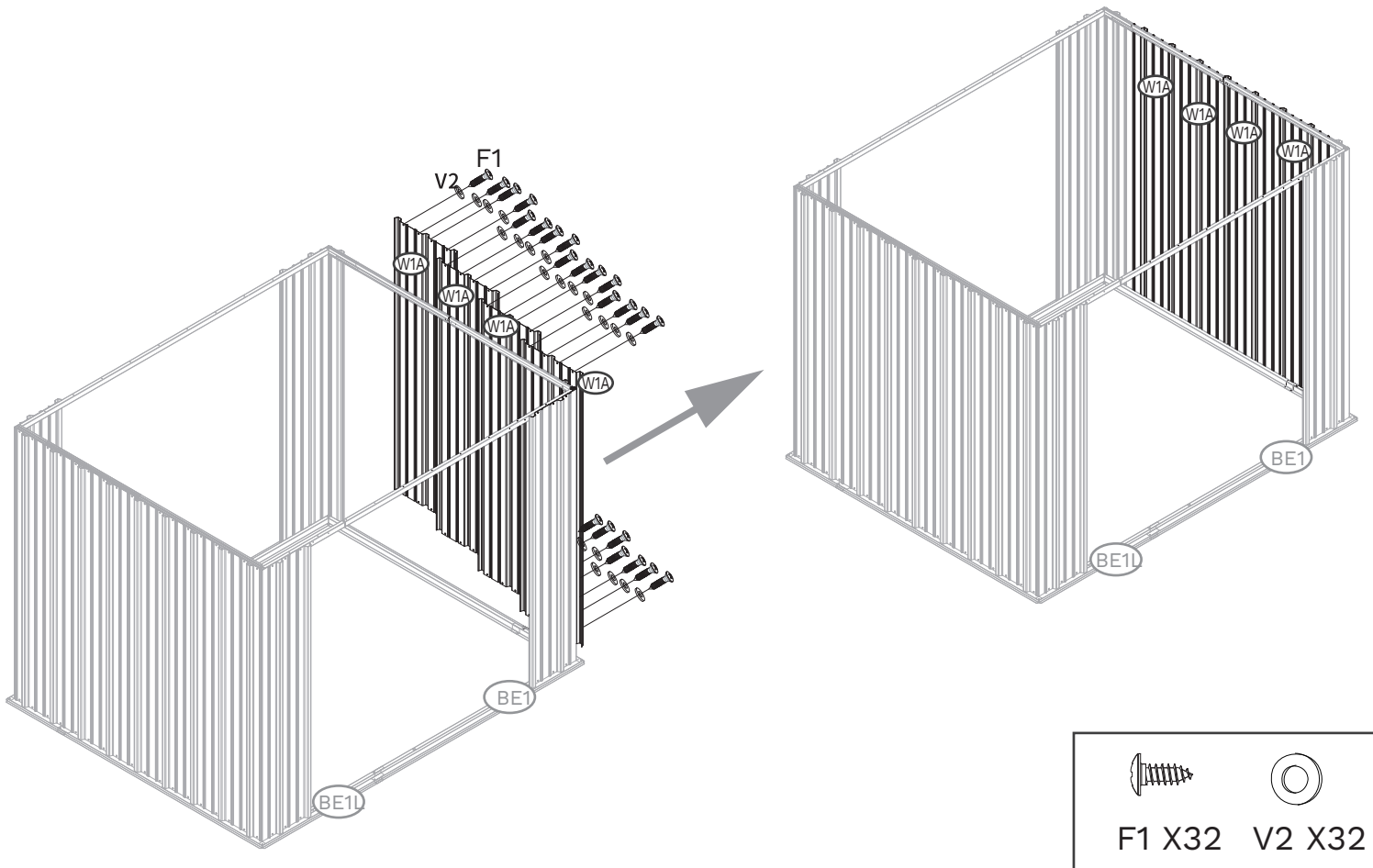
STEP 13



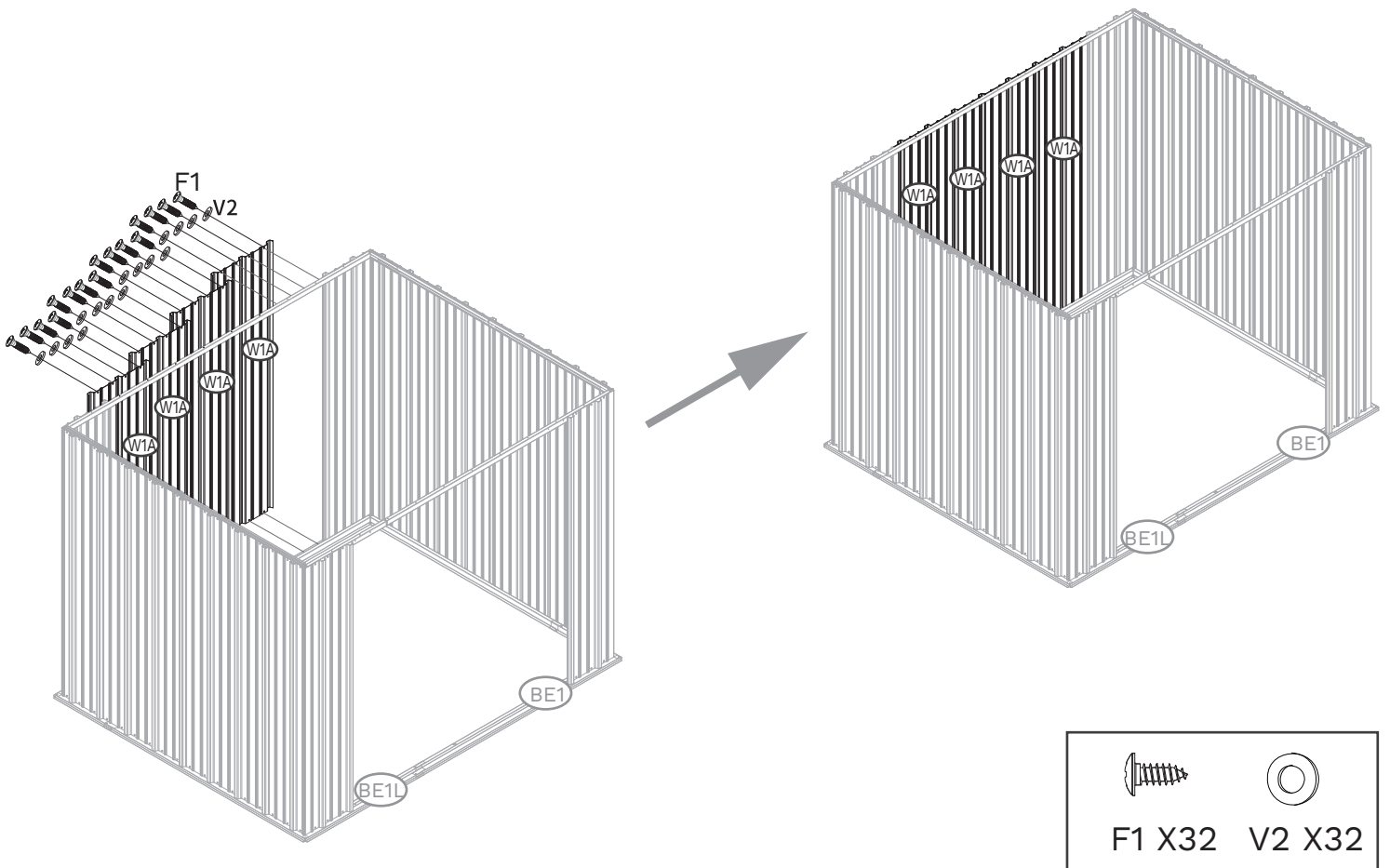
STEP 14



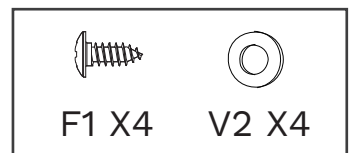
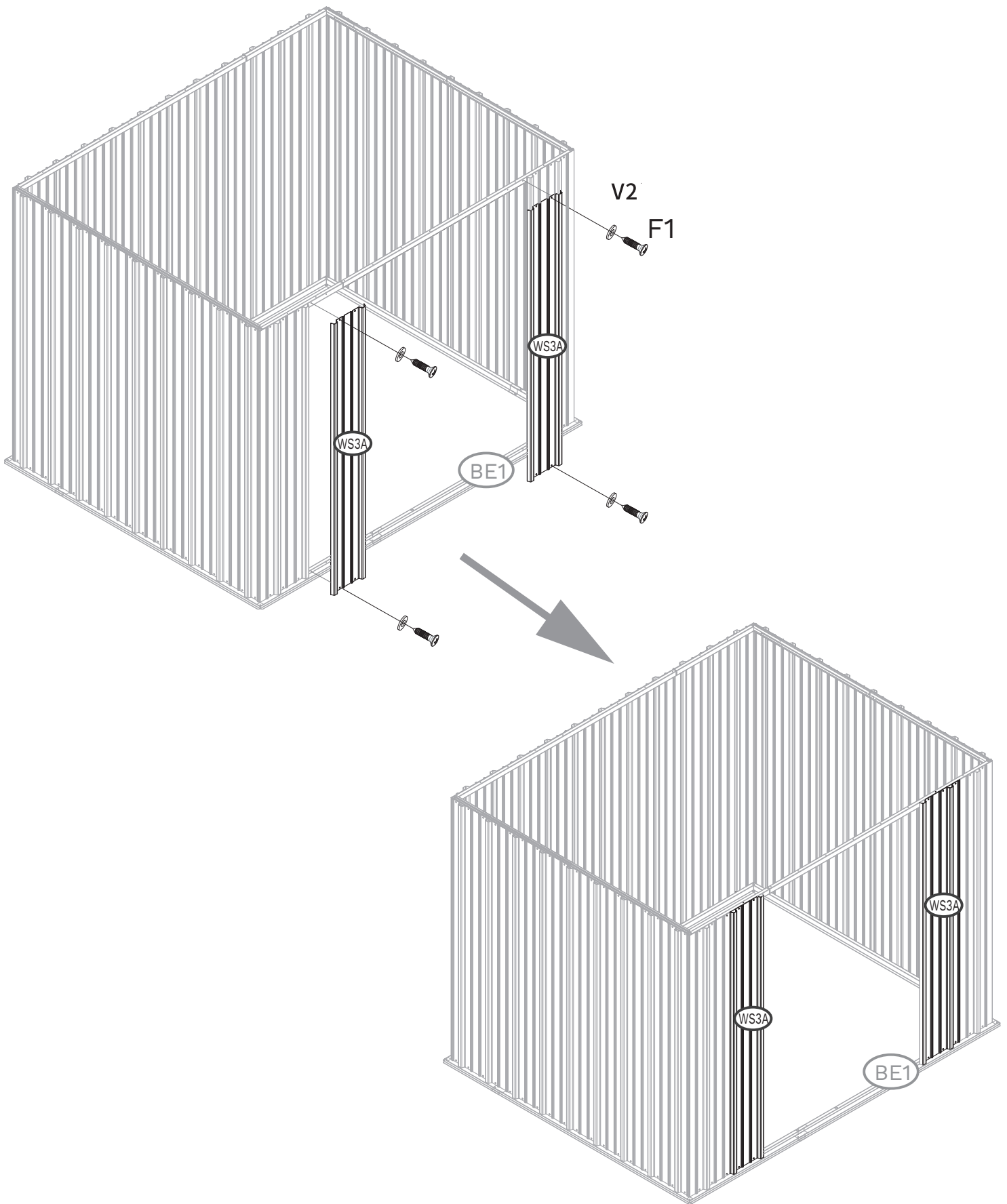
STEP 15



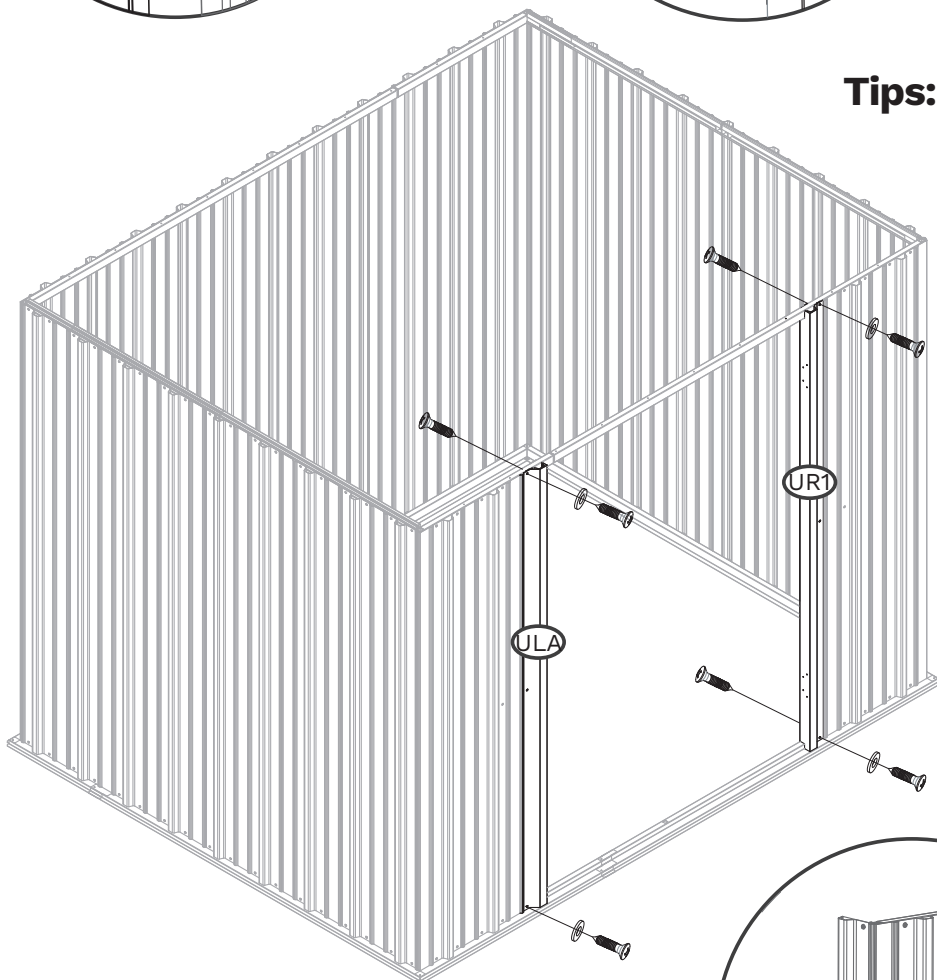
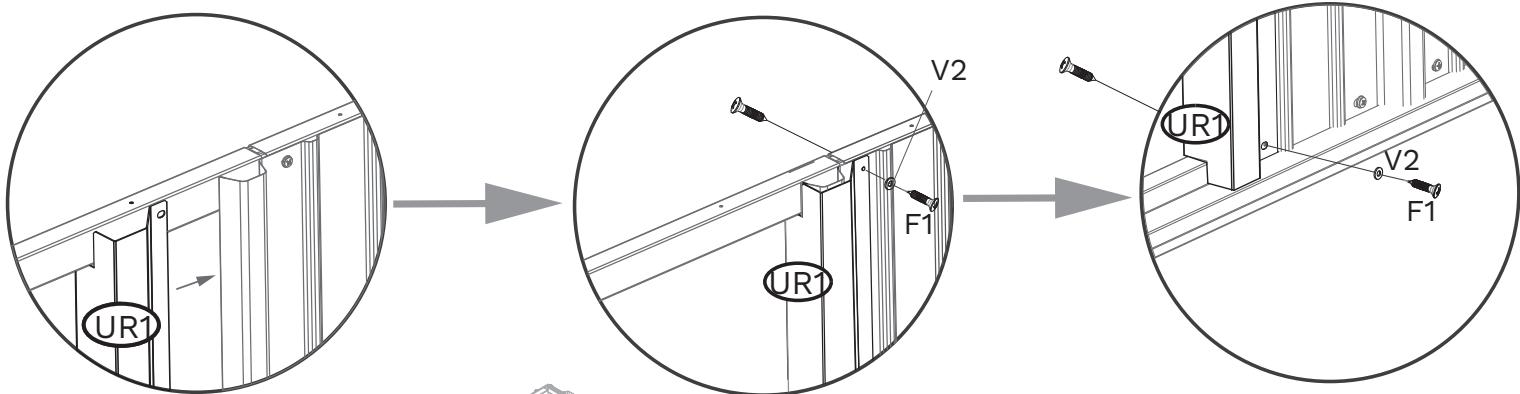
STEP 16



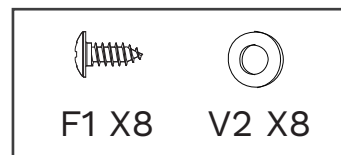
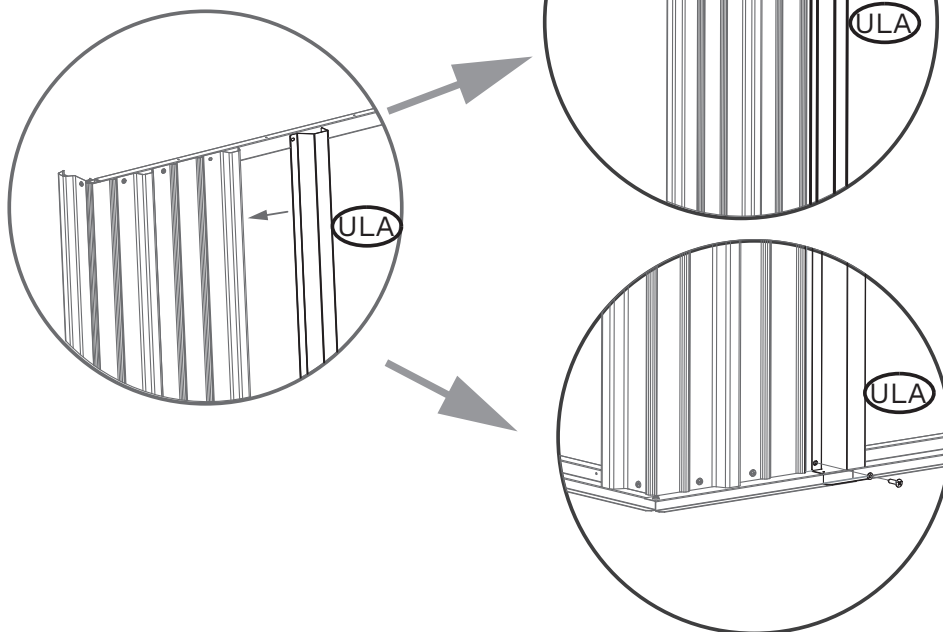
STEP 17



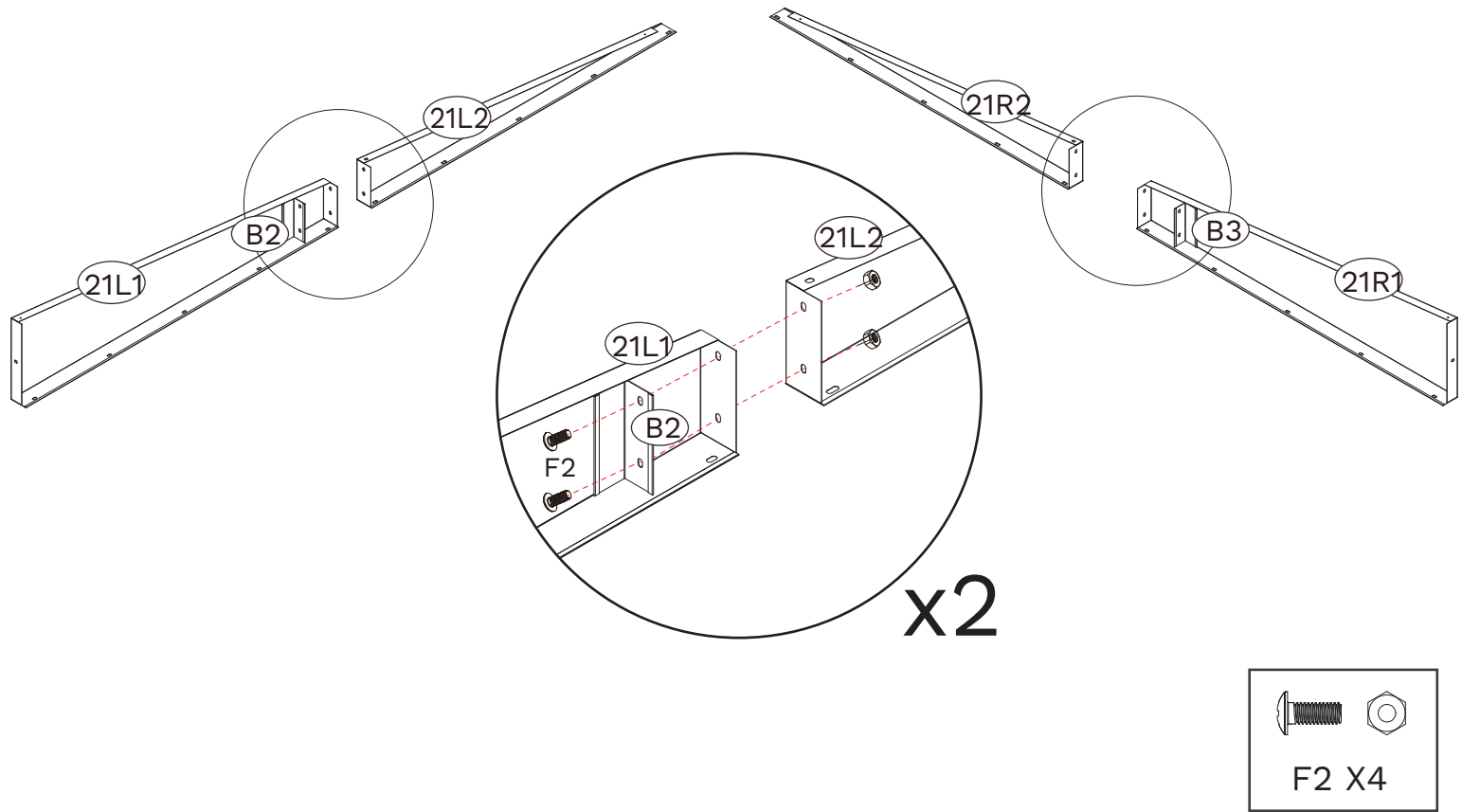
STEP 18



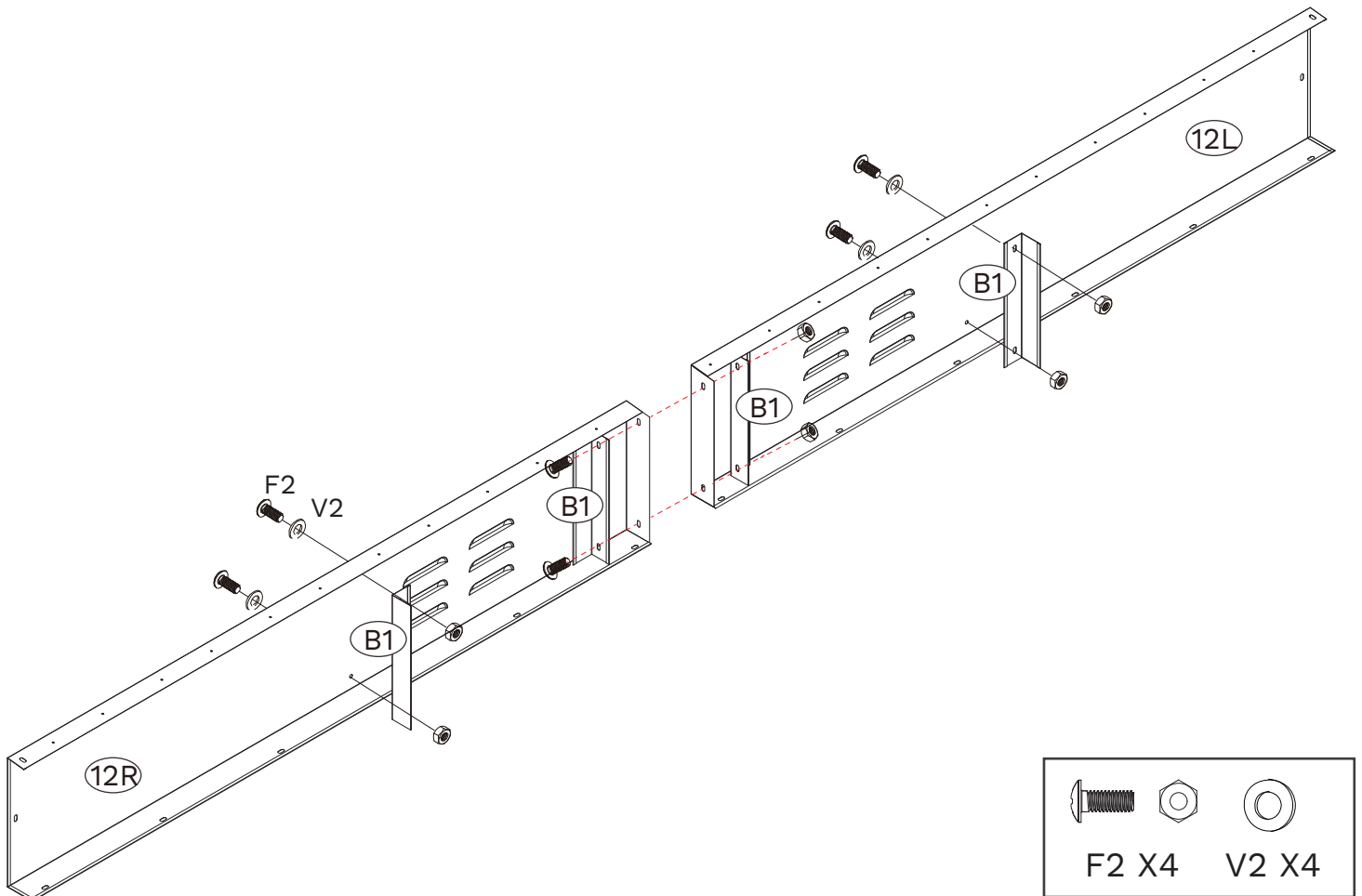
Tips: Gently pull on components UR1 and ULA to make a portion of the wall panel snap into the component.



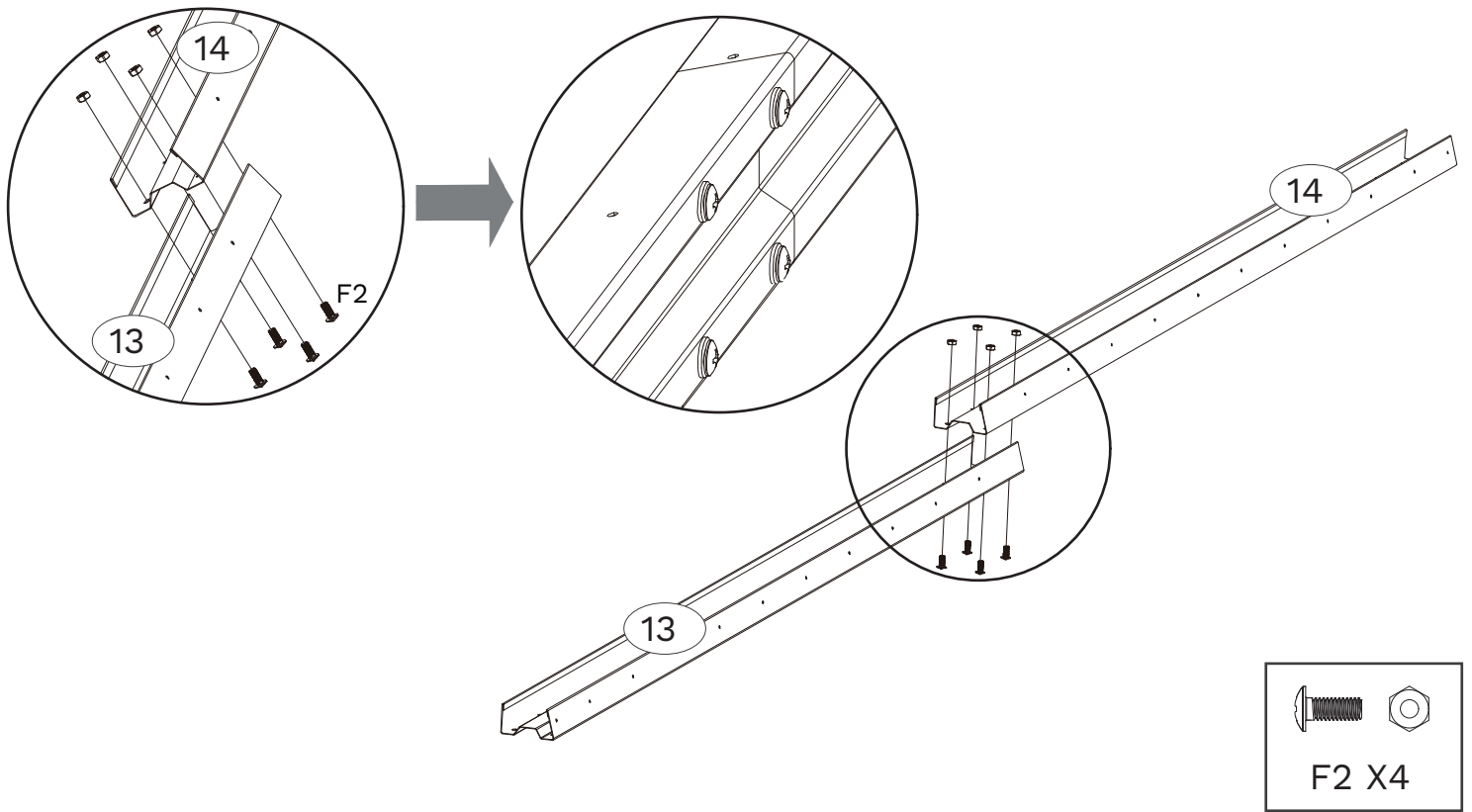
STEP 19



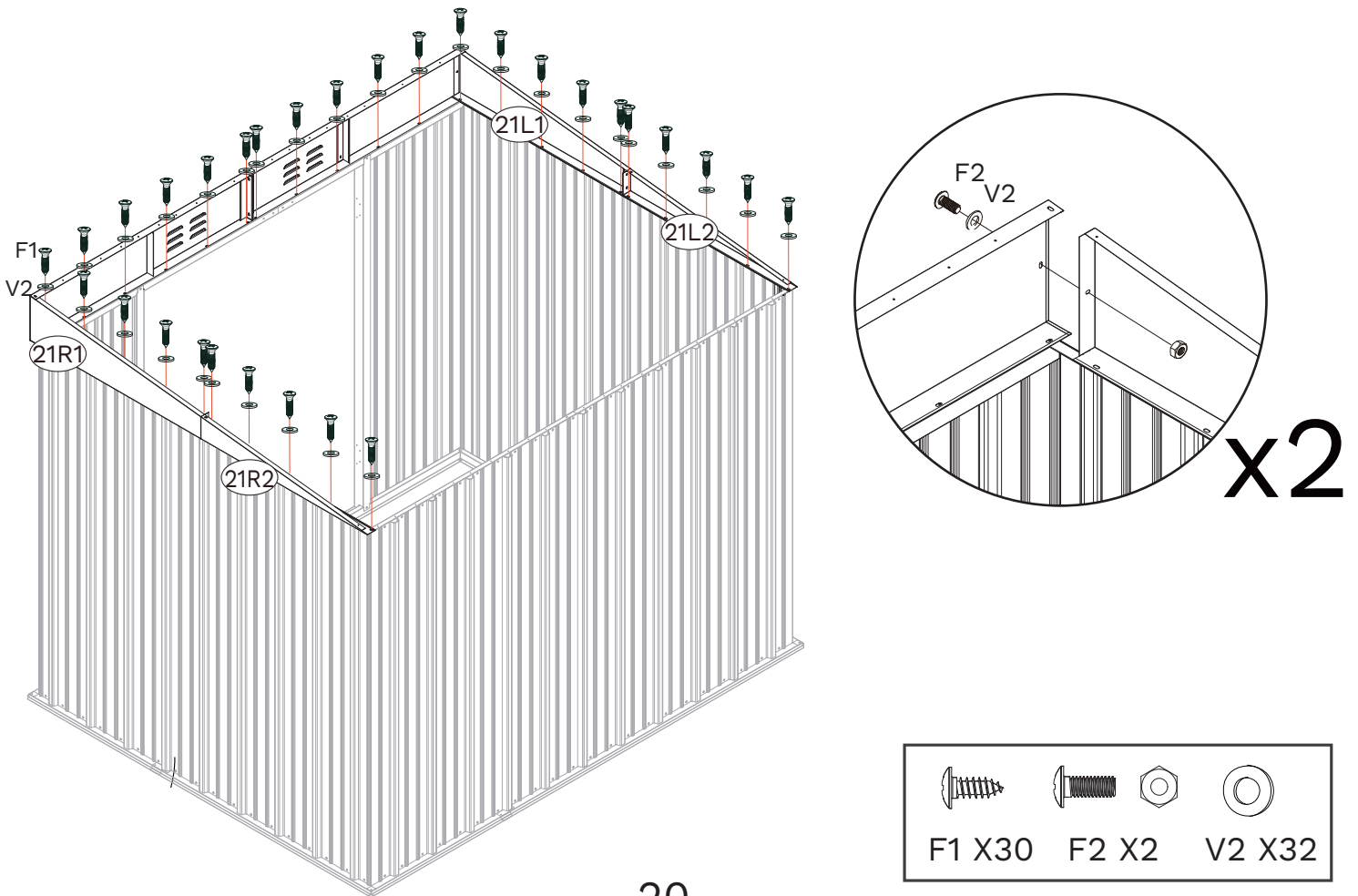
STEP 20



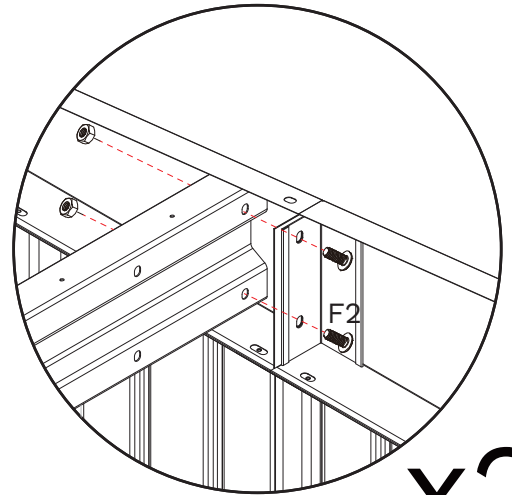
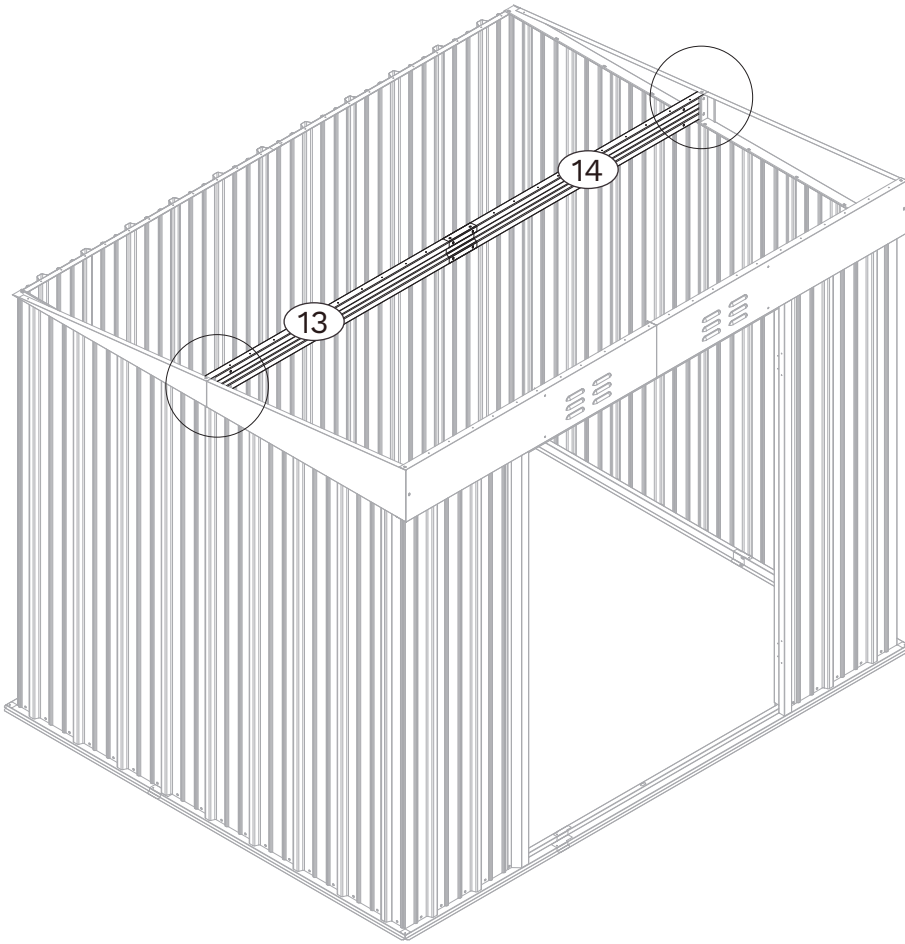
STEP 21



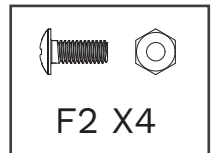
STEP 22



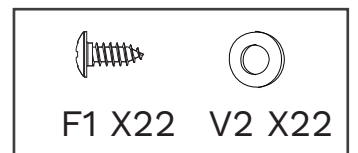
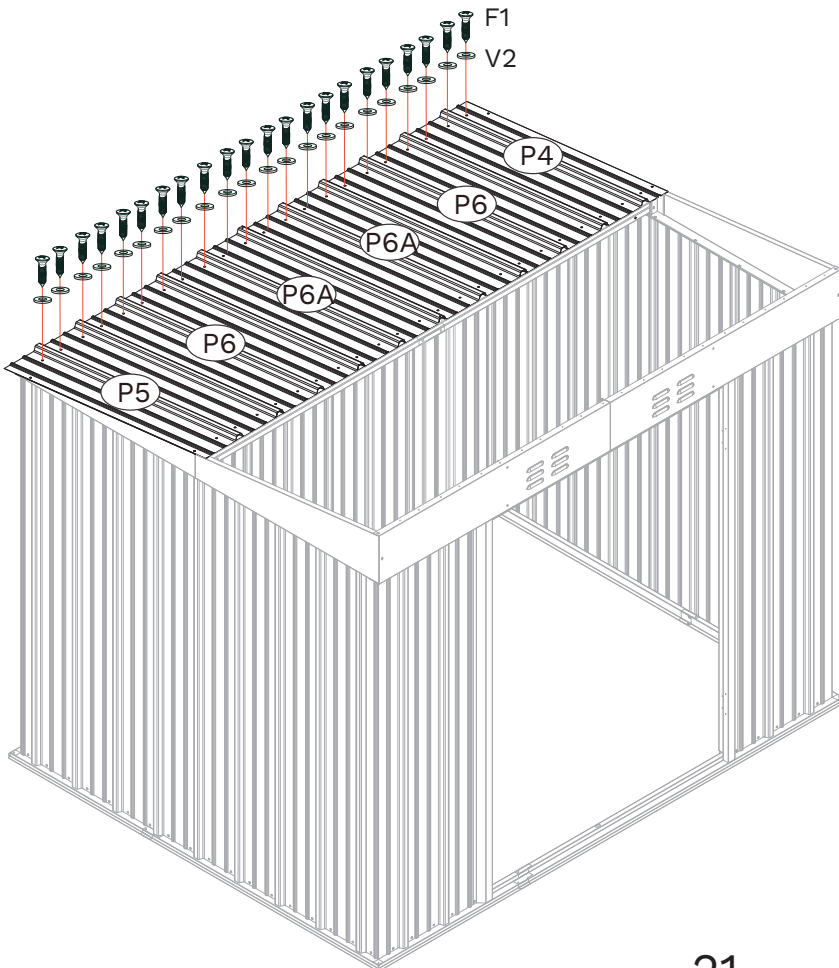
STEP 23



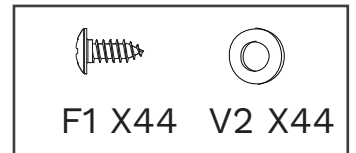
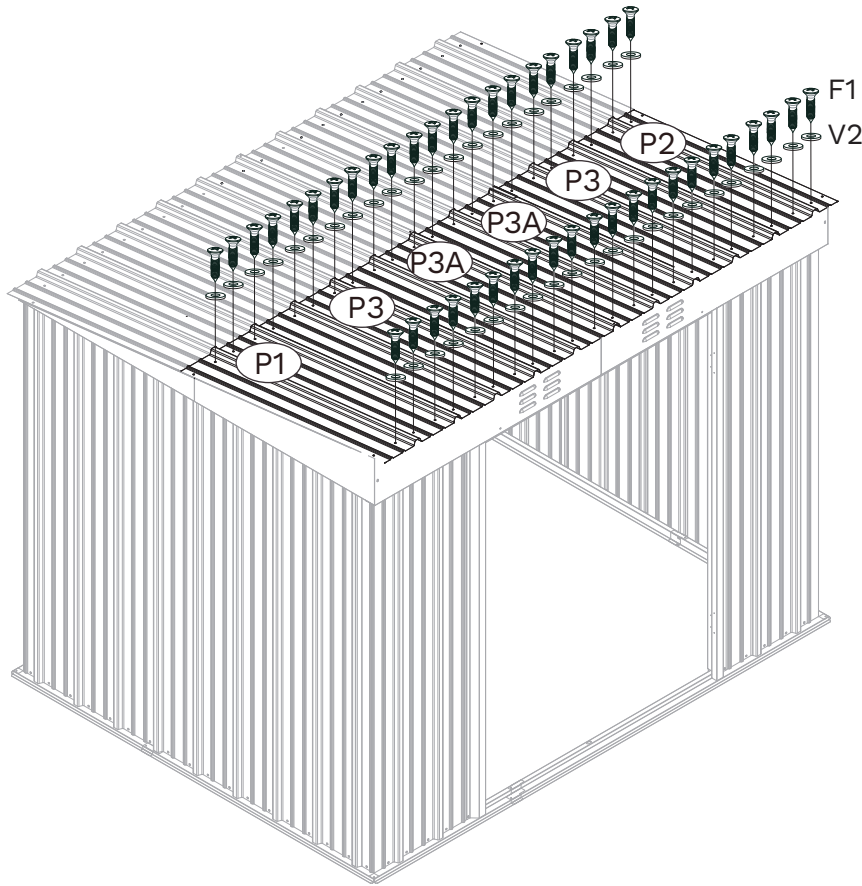
x2



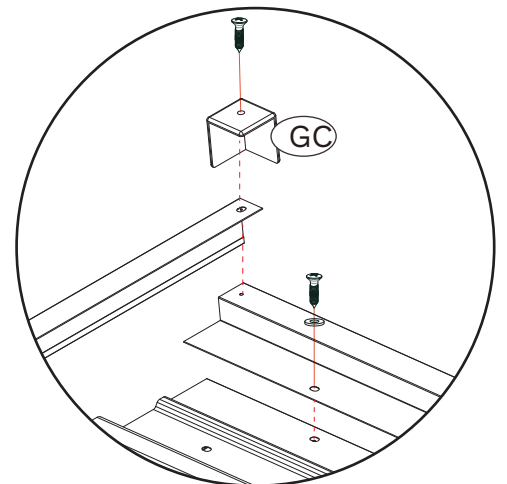
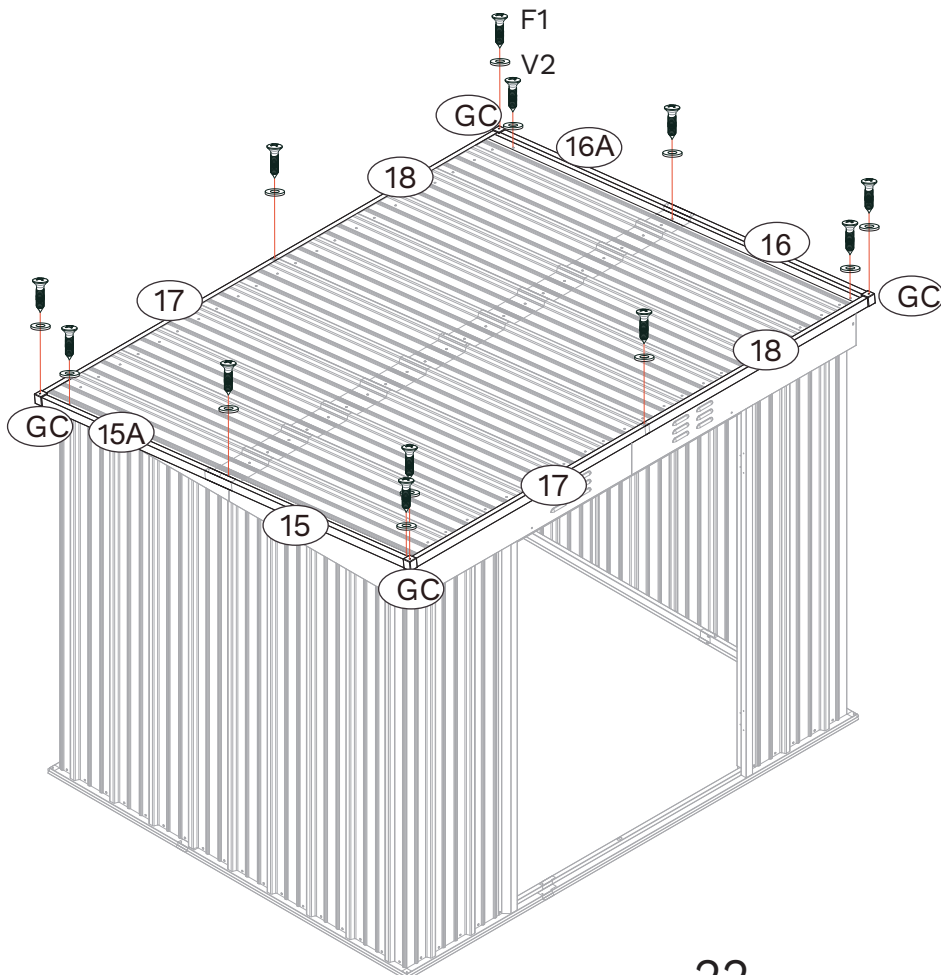
STEP 24



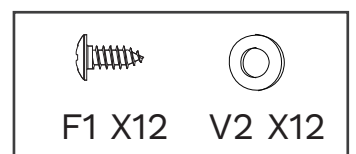
STEP 25



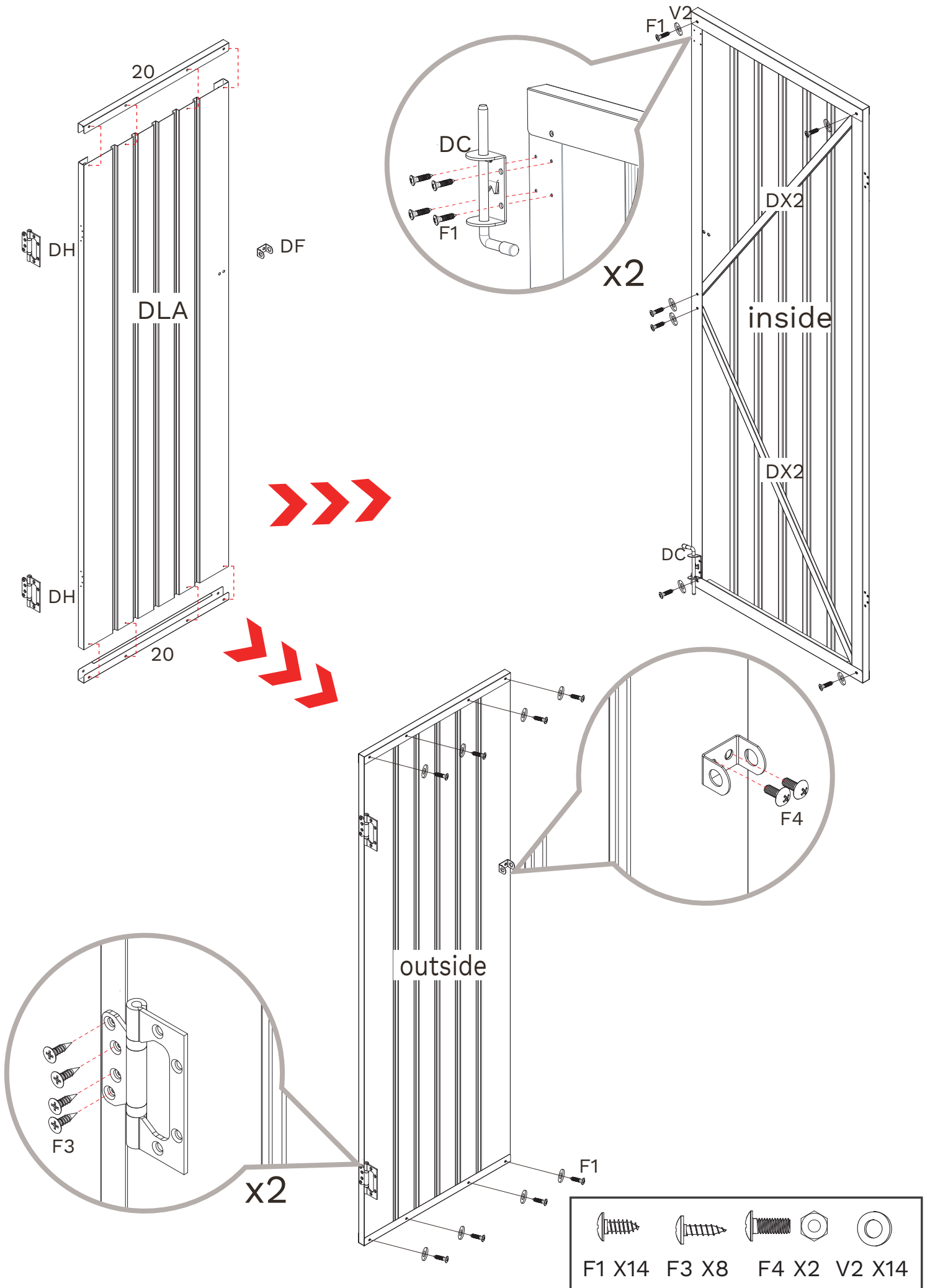
STEP 26



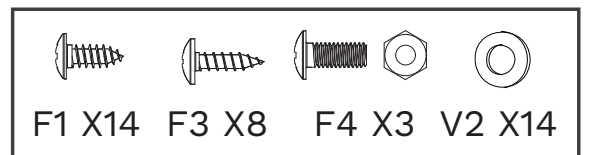
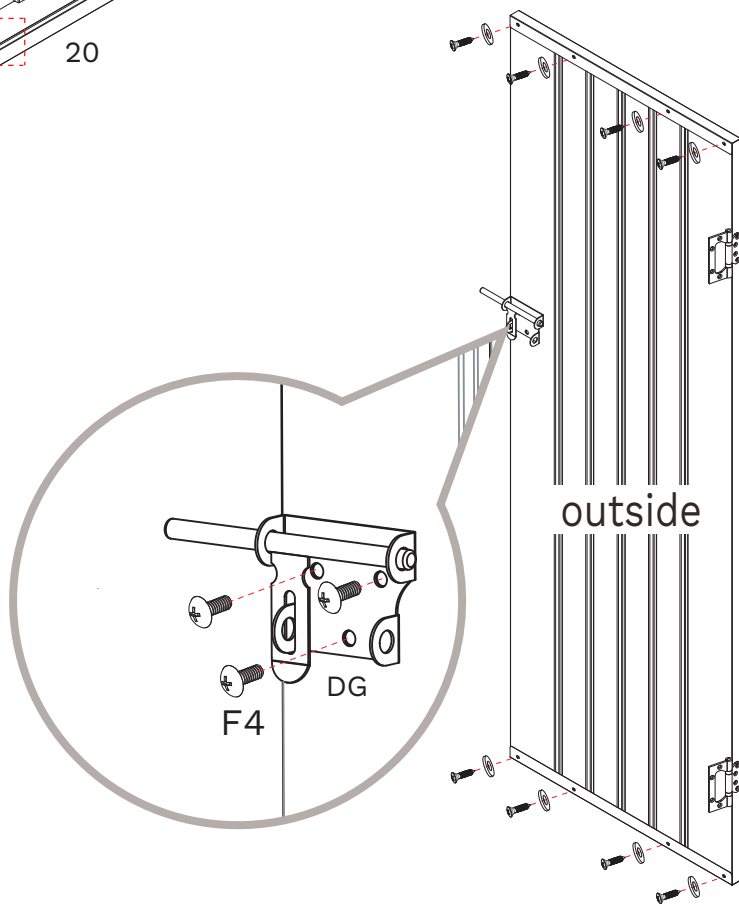
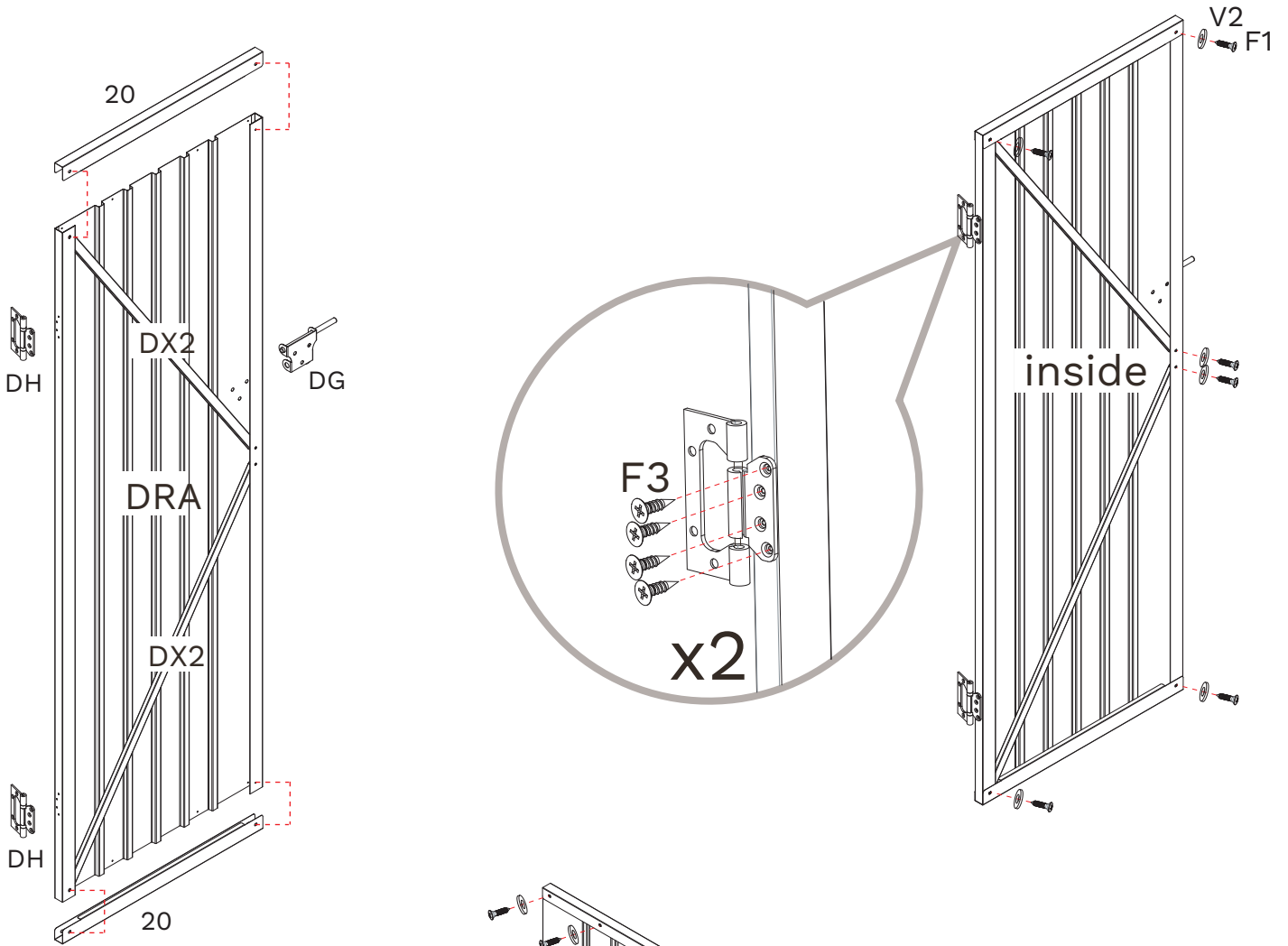
x4



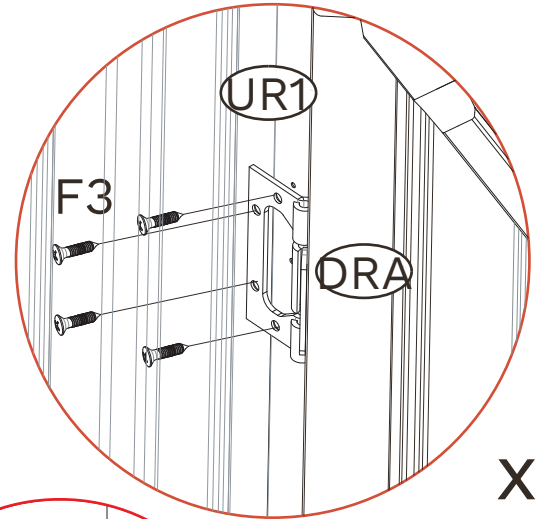
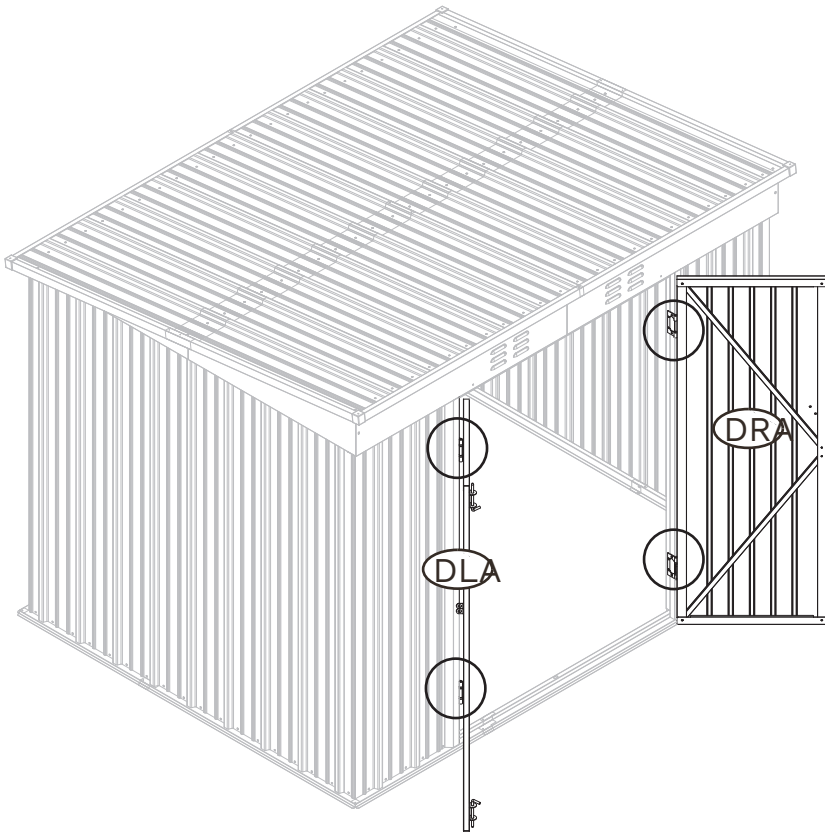
STEP 27



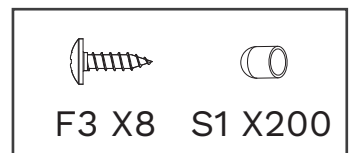
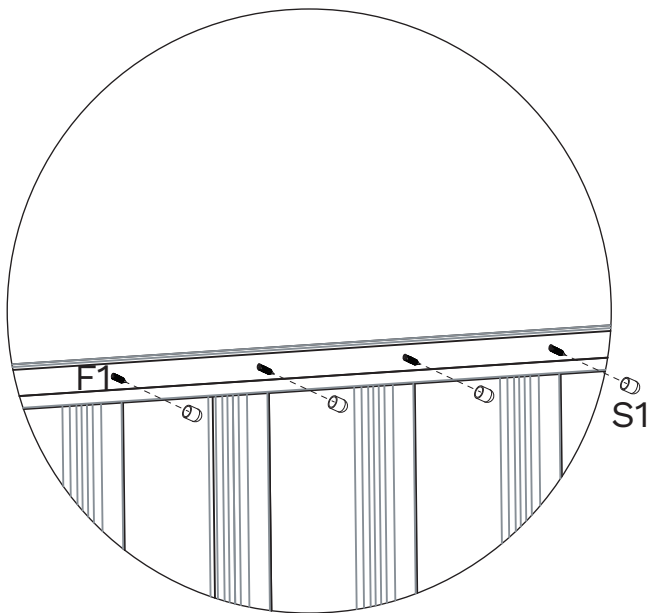
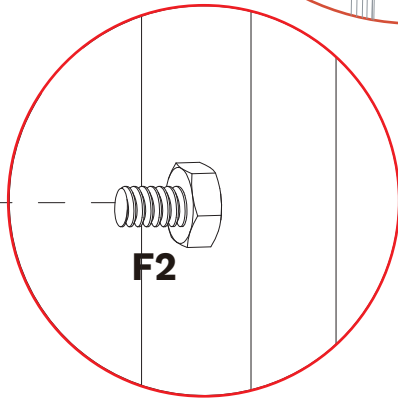
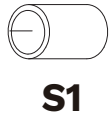
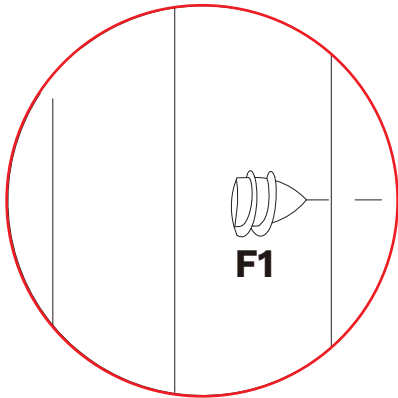
STEP 28



STEP 29



x4



CARE & SAFETY

- Unsuitable for storage of flammable or corrosive substances.
- It is of utmost importance to assemble all of the parts according to the directions. Do not skip any step.
- Please consult your local authorities if any permits are required to erect shed.
- Periodically check shed to assure that it remains stable and that the site remains level.
- It is highly recommended to secure the shed to an immovable object or to the ground by drilling holes in the floor at the pre-marked locations and inserting proper screws into the ground (screws are not included).
- Wear safety-goggles and always follow the manufacturer's instructions when using power tools.
- Wash shed with garden hose or a mild detergent solution. Using a stiff brush or abrasive cleaner could damage shed.
- Hot items such as recently used grills, blowtorches, etc. Must not be stored in the shed.
- Heavy articles should not be leaned against the walls, as this may cause distortion.
- Keep roof clean of snow and leaves. Heavy amounts of snow on roof can damage the shed making it unsafe to enter.
- Although wind direction varies, it is an important factor when taking into account where to place your shed. Therefore, it is recommended to reduce wind exposure of the shed in general, and the door side in particular.
- Keep doors closed and locked to prevent wind damage.
- Do not stand on the roof.