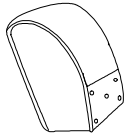


ASSEMBLY INSTRUCTION

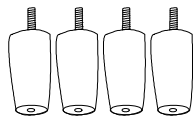
A×1



B×2



C×4



D×10



M8x55MM

E×10



Φ8

F×10

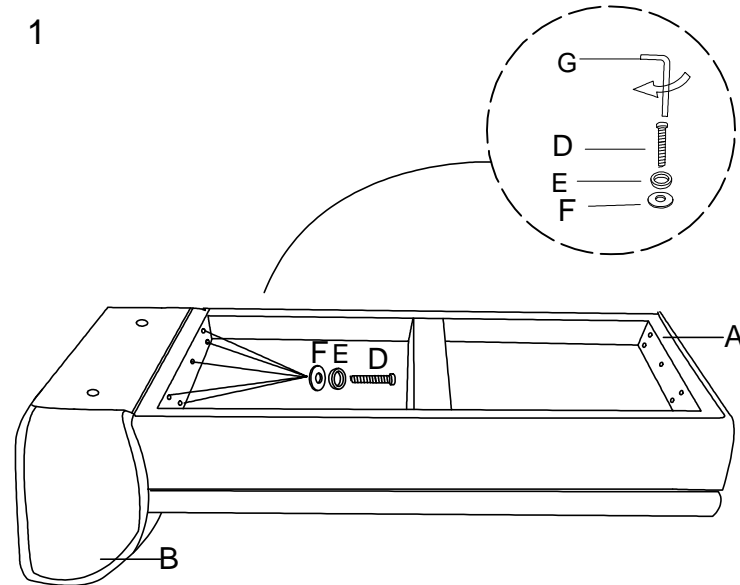


Φ8

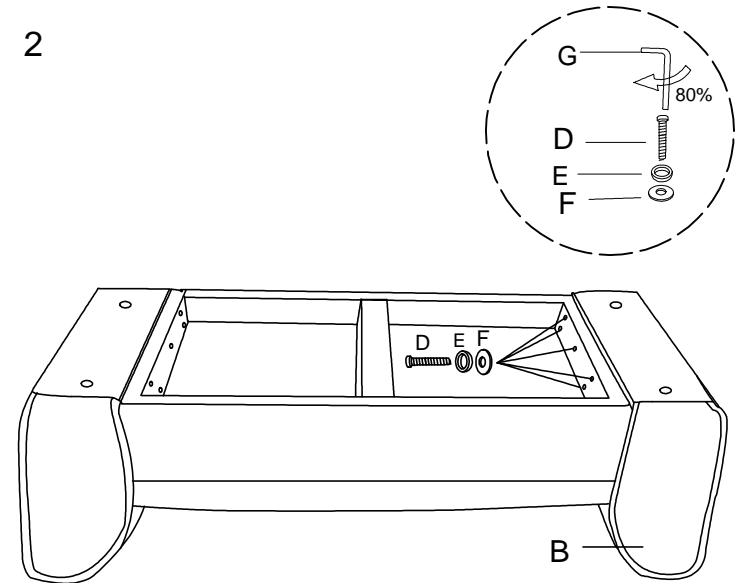
G×1



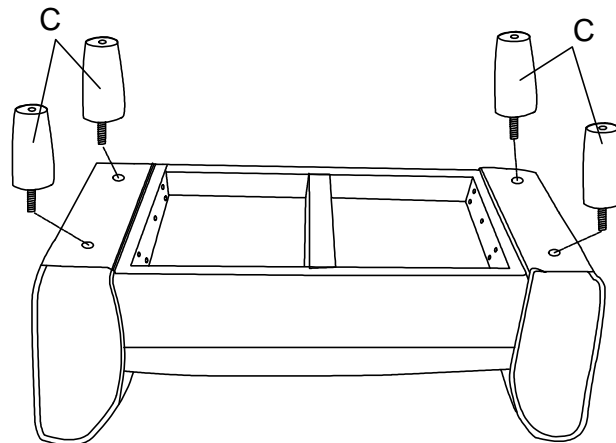
1



2



3



4

