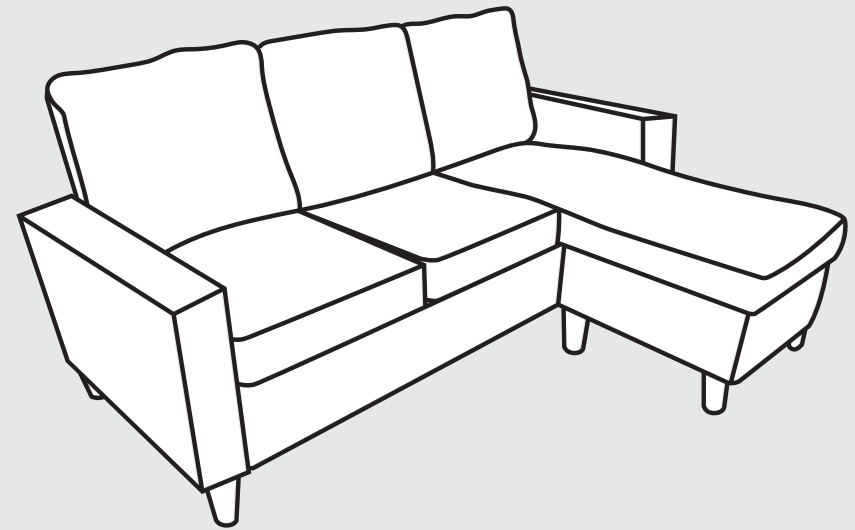


APARTMENT SECTIONAL



ADULT ASSEMBLY REQUIRED

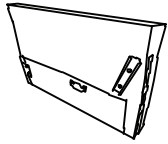
If you are missing any parts or have any questions regarding assembly, do not return this item to the retailers store. Please call our toll-free, customer service number and have this assembly manual open to the parts list ready to provide the model name, number and part name or number.



WARNING: This product may contain small components, please ensure they are kept away from small children.

PARTS AND HARDWARE

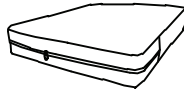
Avoid using sharp objects such as a knife to cut open packing as you may accidentally damage the upholstery.



A. Arms
2x



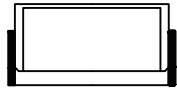
B. Back Cushion
3x



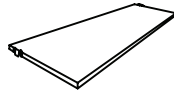
C. Seat Cushion
2x



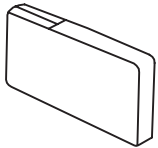
D. Front Rail
1x



E. Backrest
1x



F. Seat Deck
1x



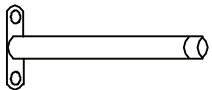
G. L Seat Cushion
1x



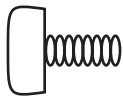
H. Ottoman
1x



I. Legs
8x

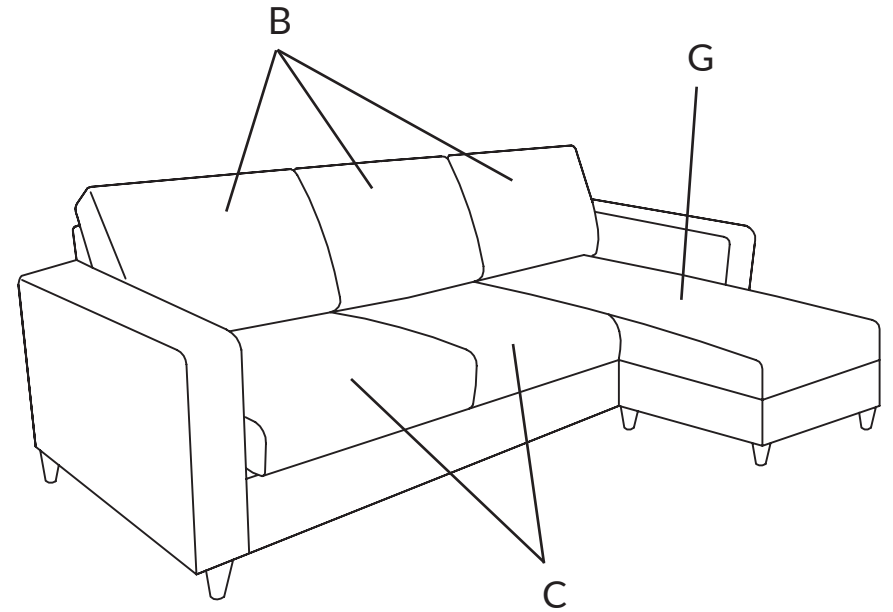


J. Center Support Leg
1x

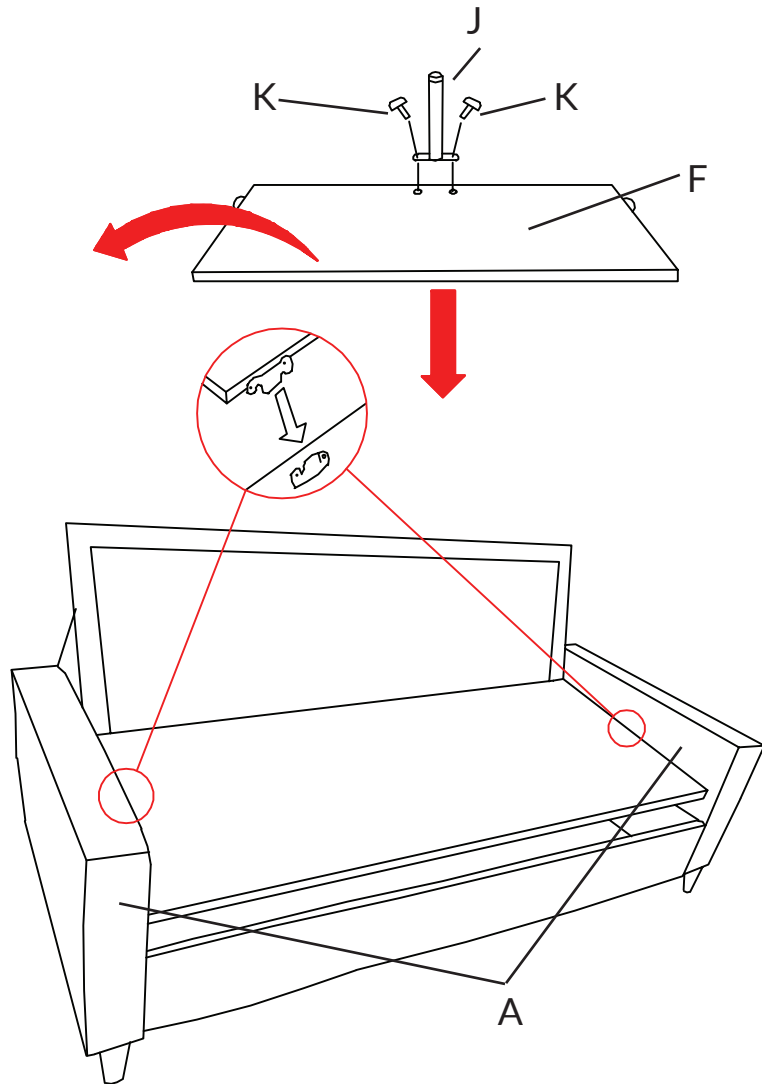


K. Hand Threaded Bolt
2x

5 Place Seat Cushions (C) and Back Cushions (B) onto Assembled Sectional.



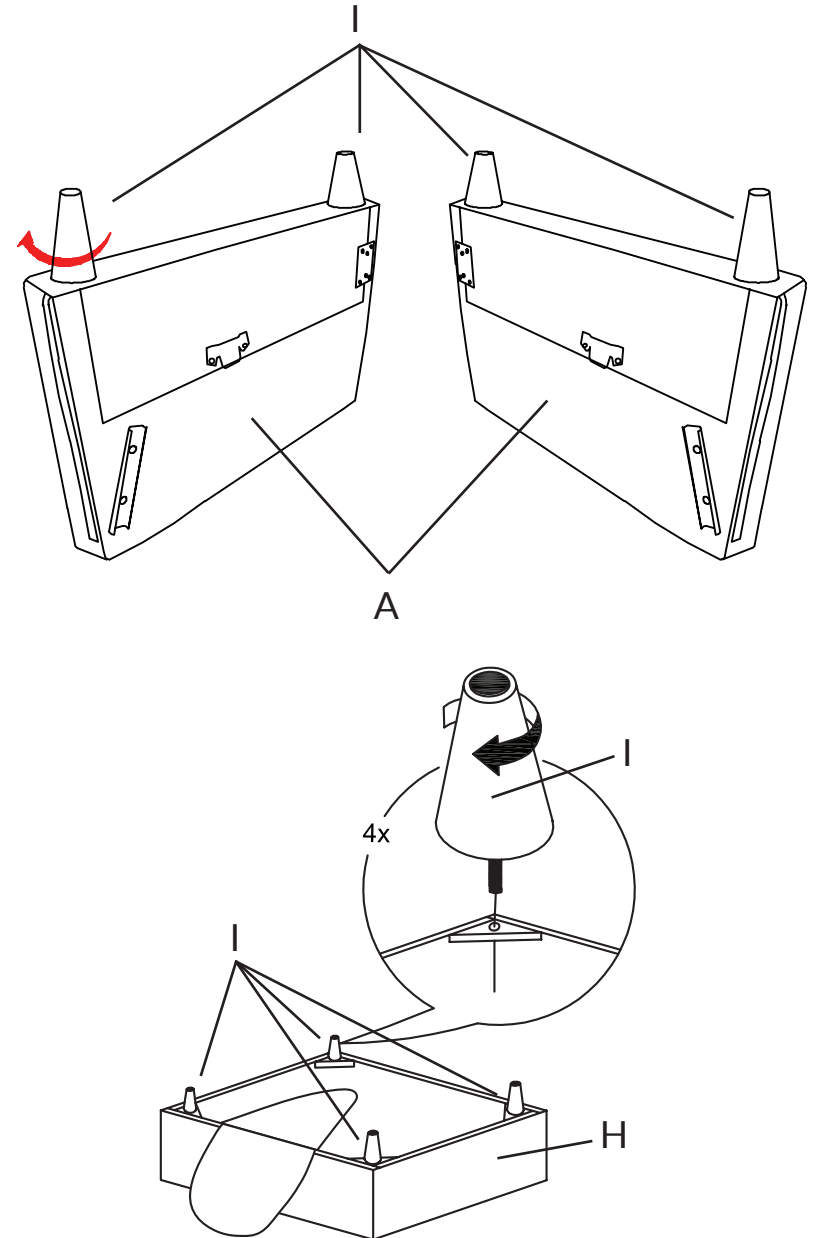
- 4** Attach Center Support Leg (J) to Seat Deck (F) by hand turning Hand Threaded Bolt (K) into insert nut. Then attach the Seat Deck (F) to the Arms (A) by placing the two metal brackets on the Seat Deck (F) over the metal brackets on each Arm (A). The Seat Deck (F) will lock into place.



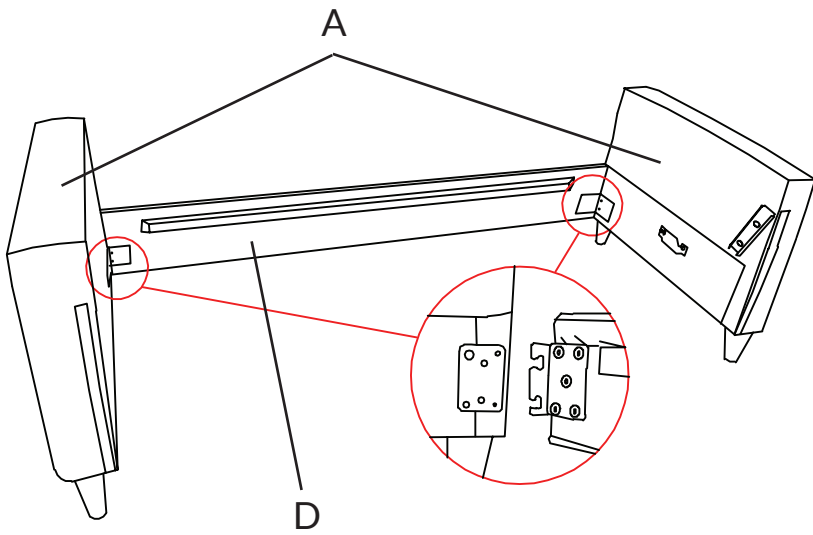
ASSEMBLY INSTRUCTIONS

Do not fully tighten bolts until assembly is complete.

- 1** Flip Ottoman (H) over and remove Legs (I) from zippered compartment. Attach Legs (I) to Arms (A) and Ottoman (H) by hand turning threaded post into insert nut.



- 2** Attach Front Rail (D) to Arms (A) by slipping the bracket opening over the fixed post. Press down to click into place.



- 3** Attach the Backrest (E) to the Arms (A) by sliding the brackets on the Backrest (E) into the glides on the Arms (A).

