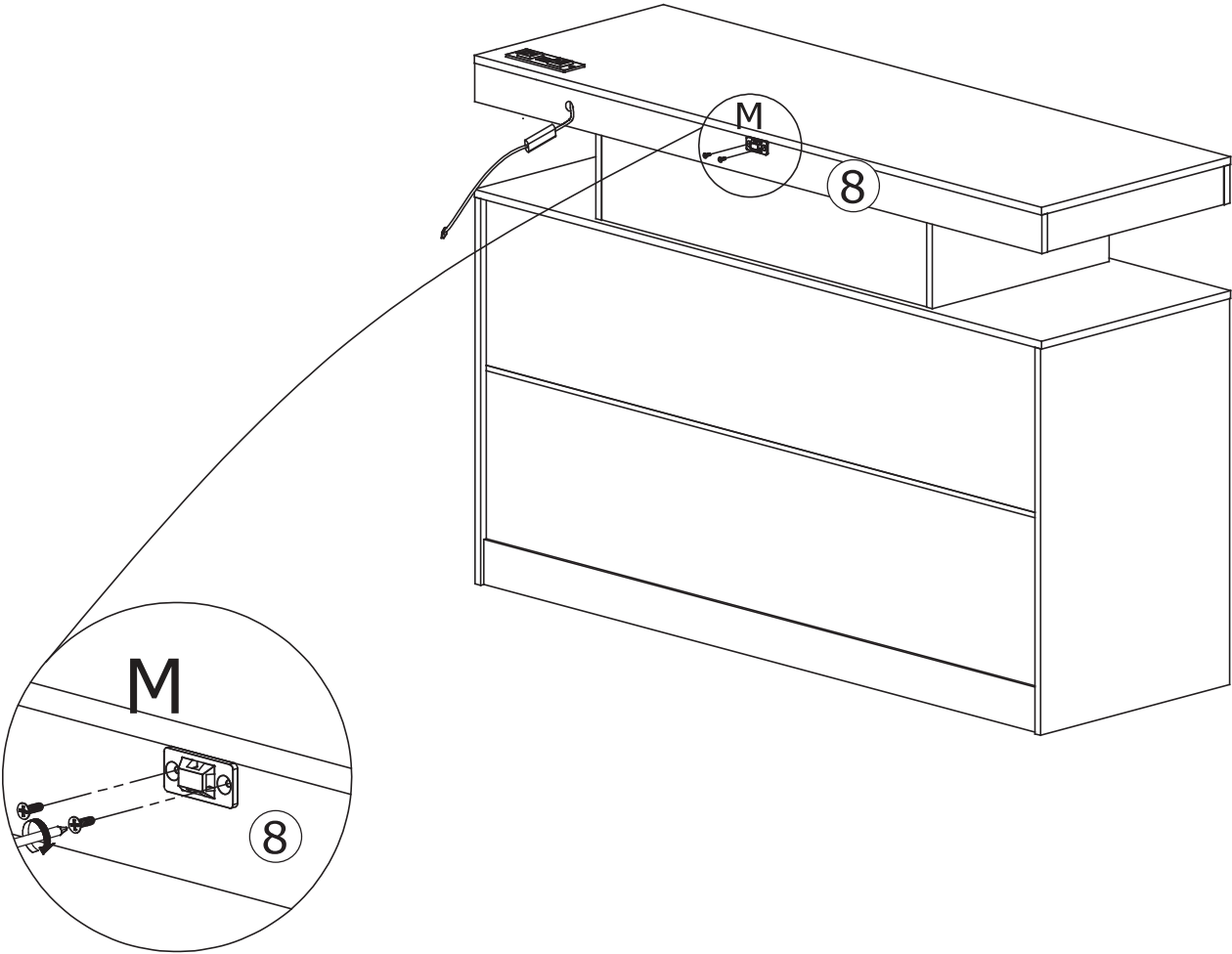
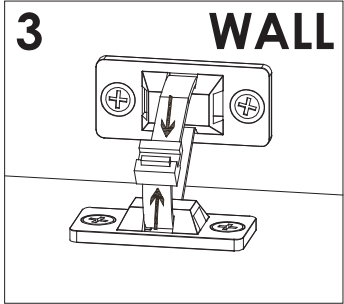
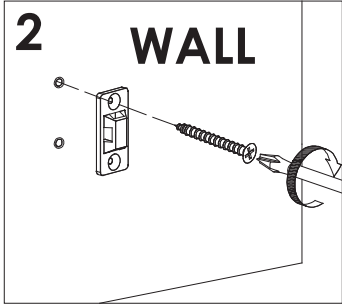
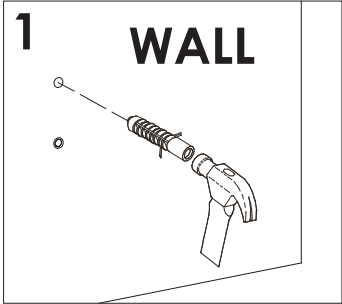
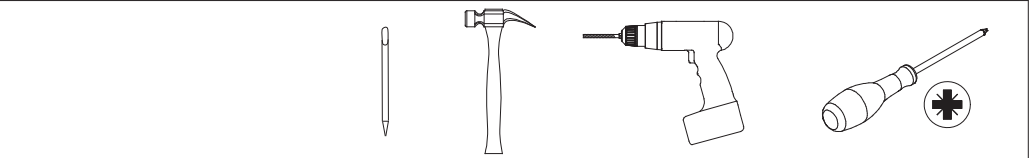
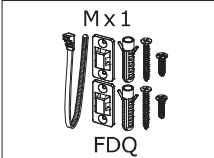


25



Install anti-toppling device (M) on wall and cabinet and tighten with cable ties