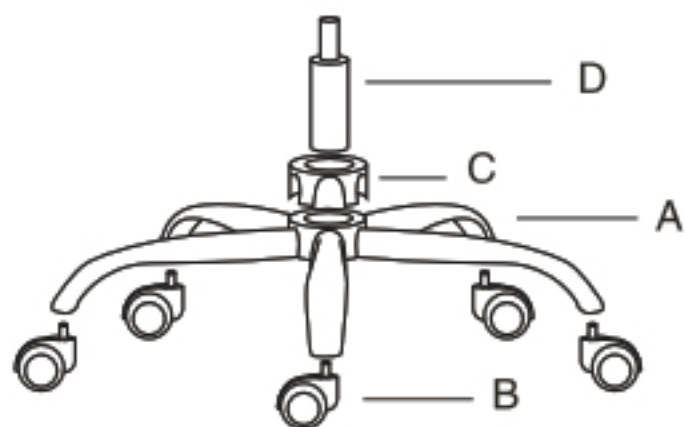
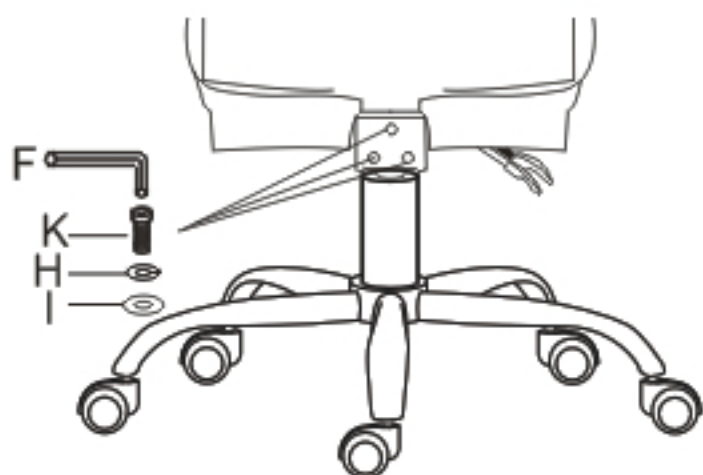


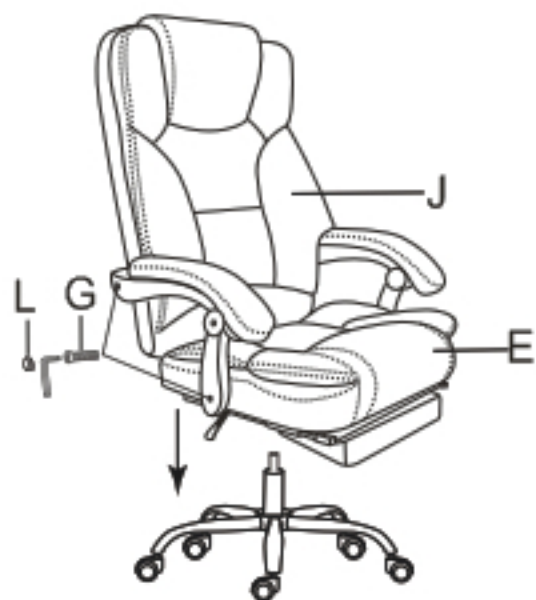
①



②



③



④



Ax1



Bx5



Cx1



Dx1



Ex1



Fx1



Gx4



Hx3



Ix3



Jx1



Kx3



Lx4

