
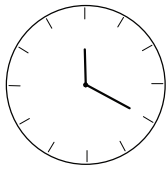
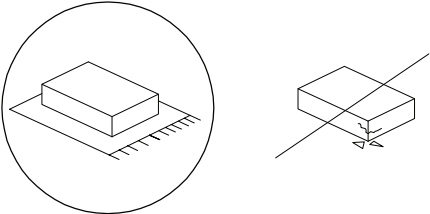

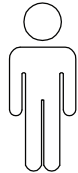
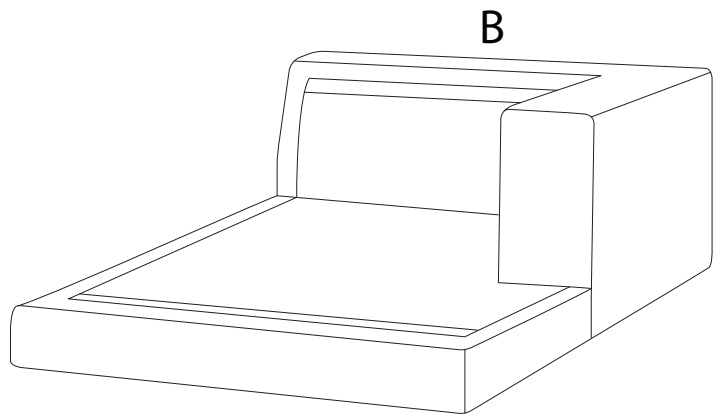
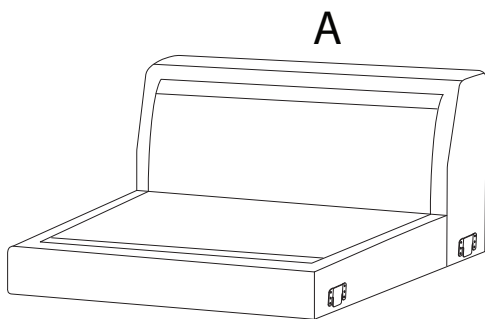
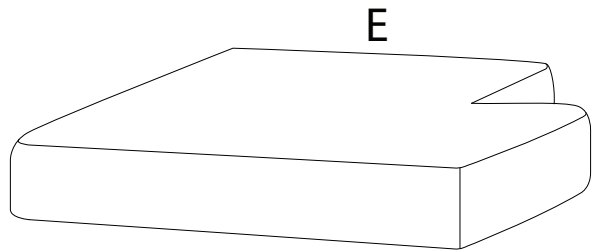
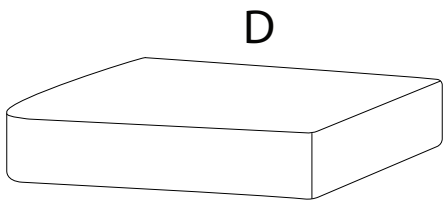
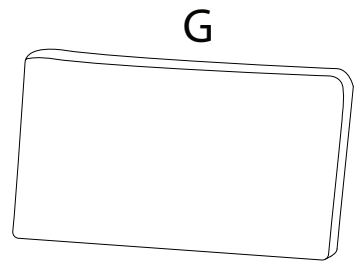
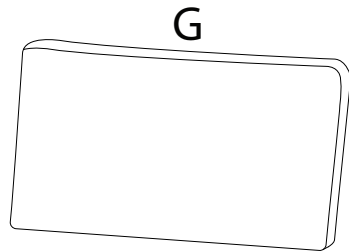
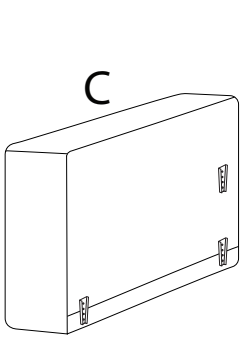
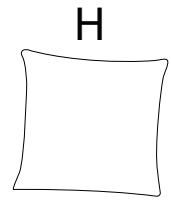
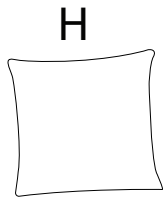
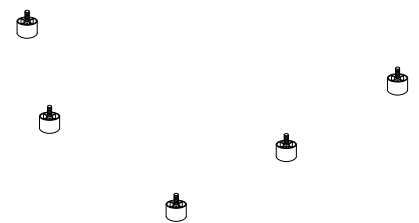
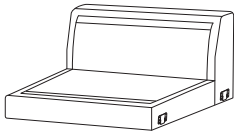
 A line drawing of a power drill with a diagonal slash through it, indicating that power tools should not be used for assembly.		
		20'
 A line drawing showing a rectangular block on a floor mat. A power drill is shown with a diagonal slash through it, indicating that power tools should not be used on the floor.		
		2



F x 12

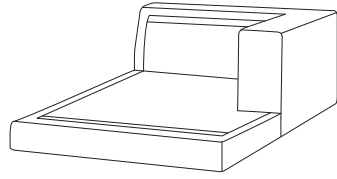


A



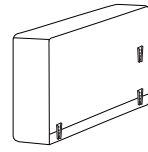
x 1

B



x 1

C



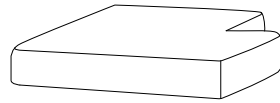
x 1

D



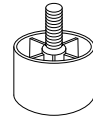
x 1

E



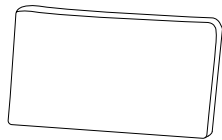
x 1

F



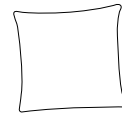
x 12

G



x 2

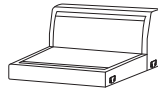
H



x 2

1

A

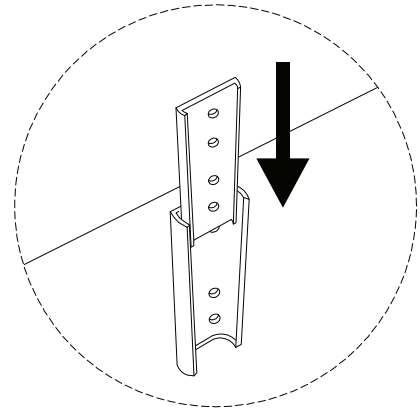
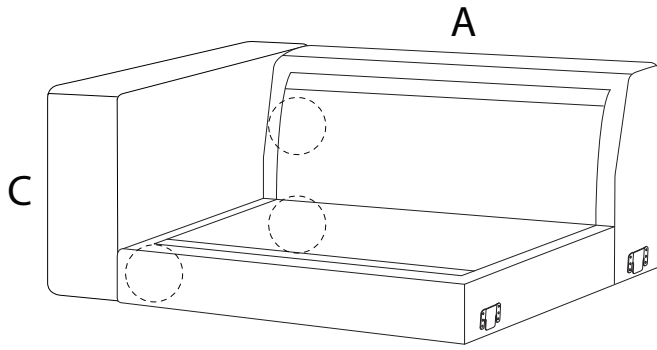


x 1

C

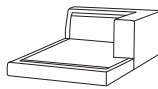


x 1



2

B

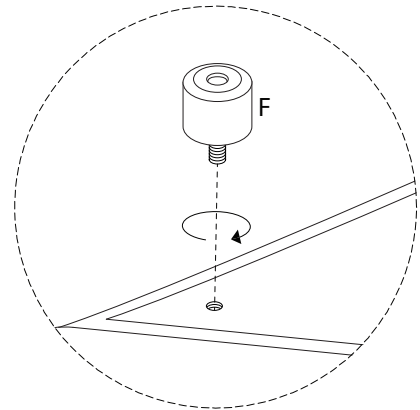
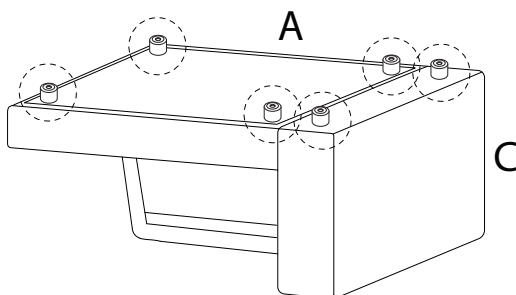
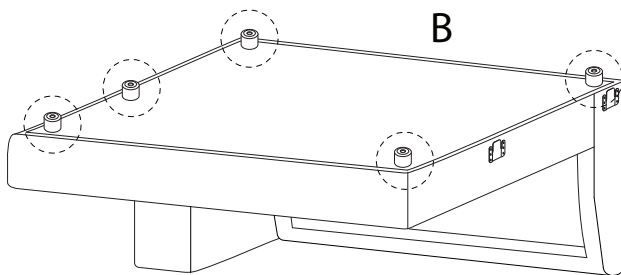


x 1

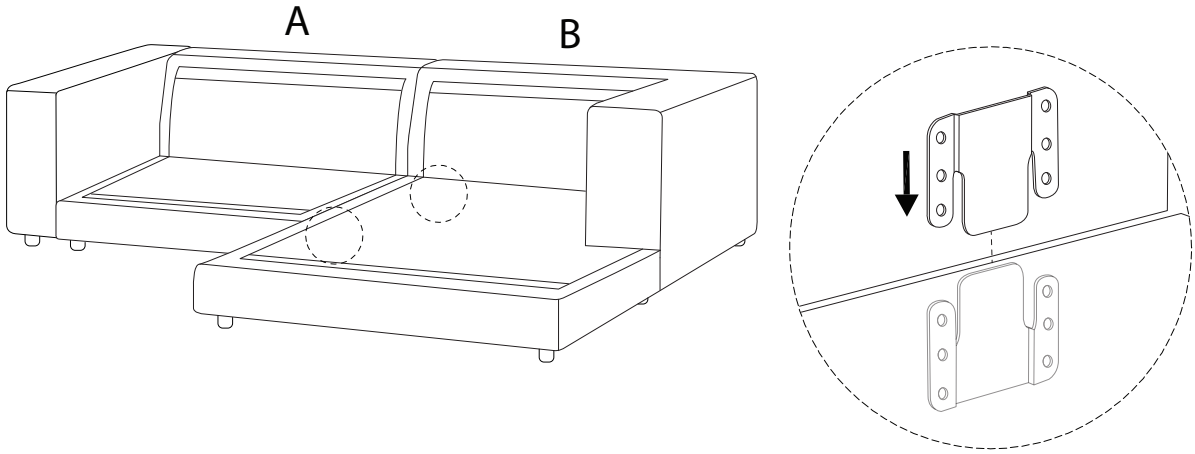
F



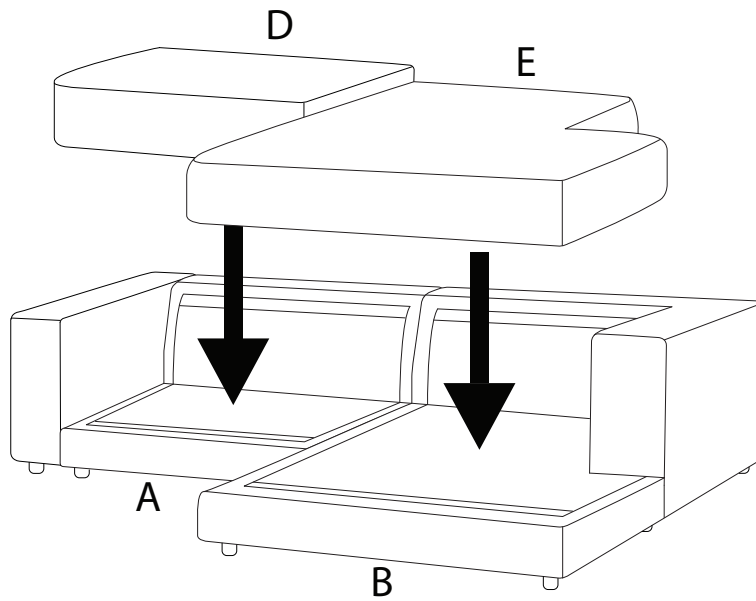
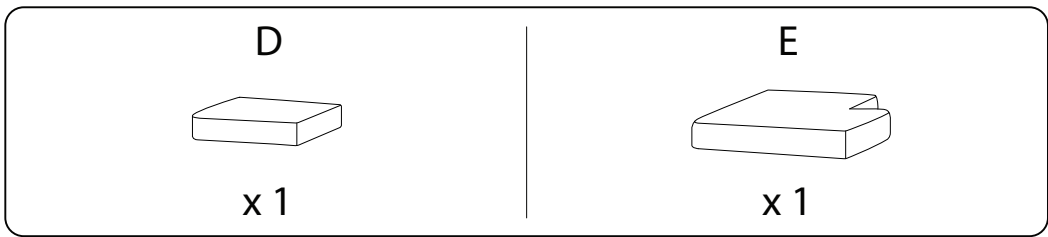
x 12



3



4



5

