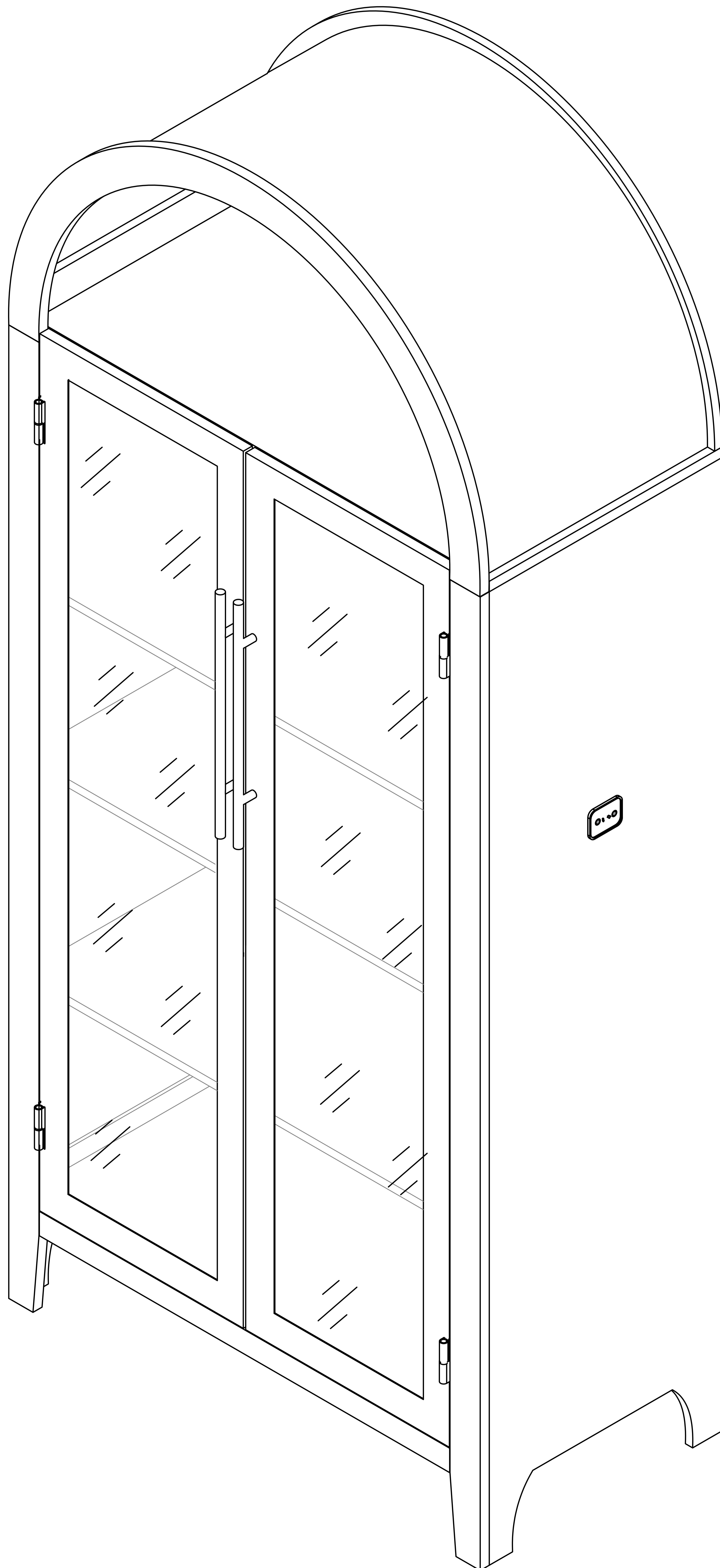
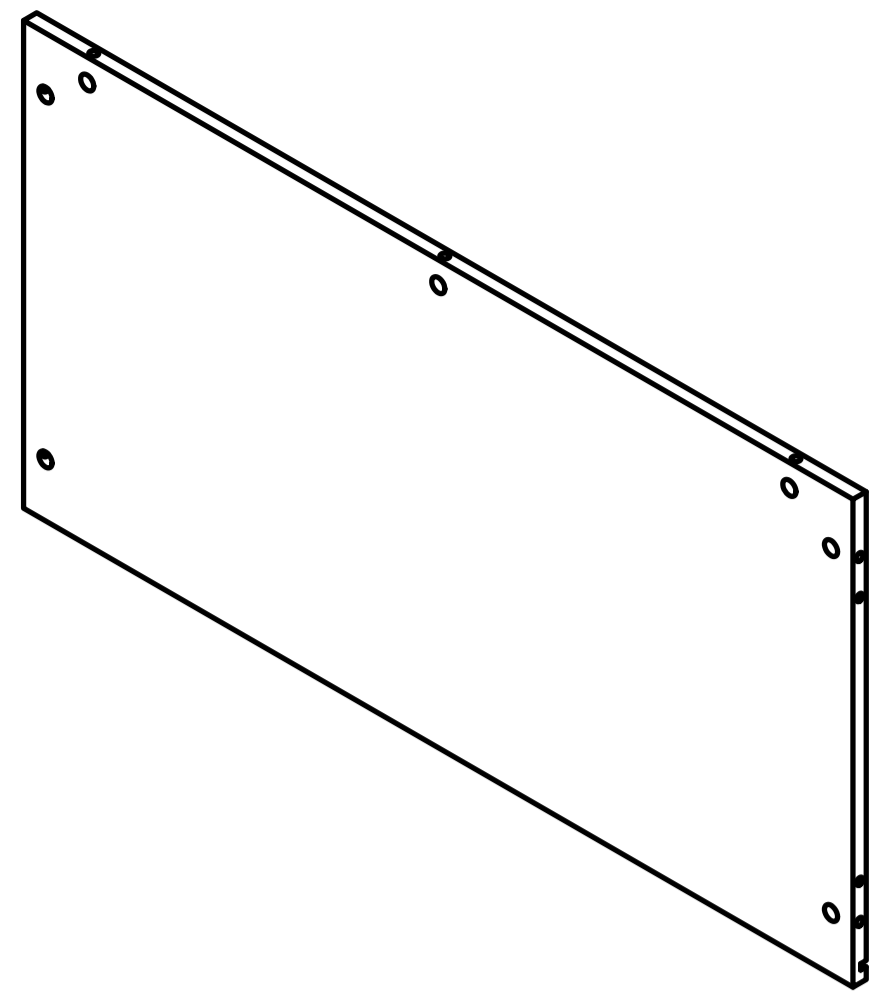
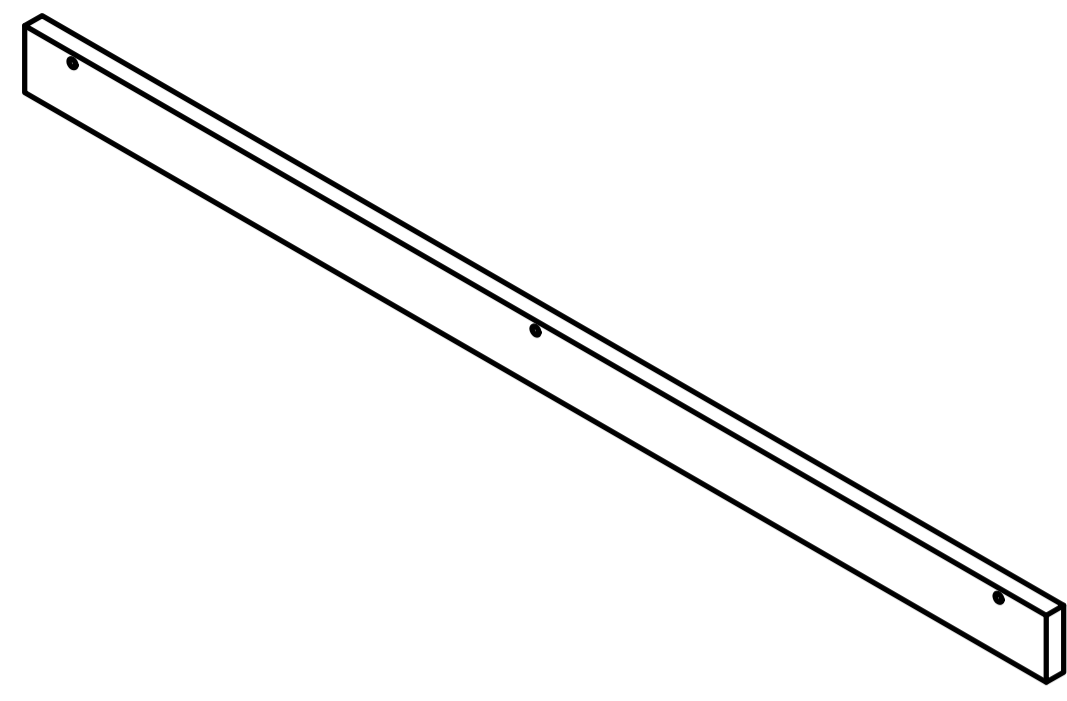


# Product Installation Instructions

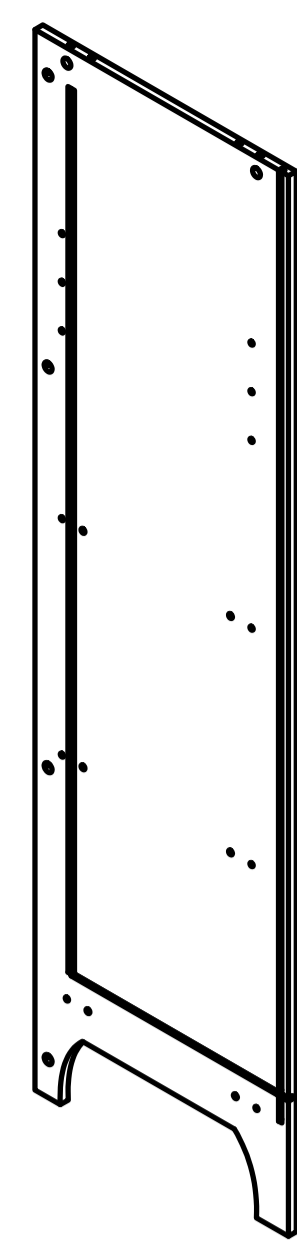




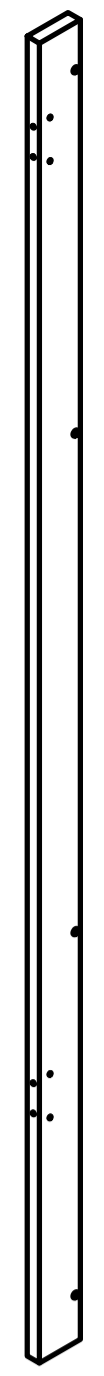
**A x1**



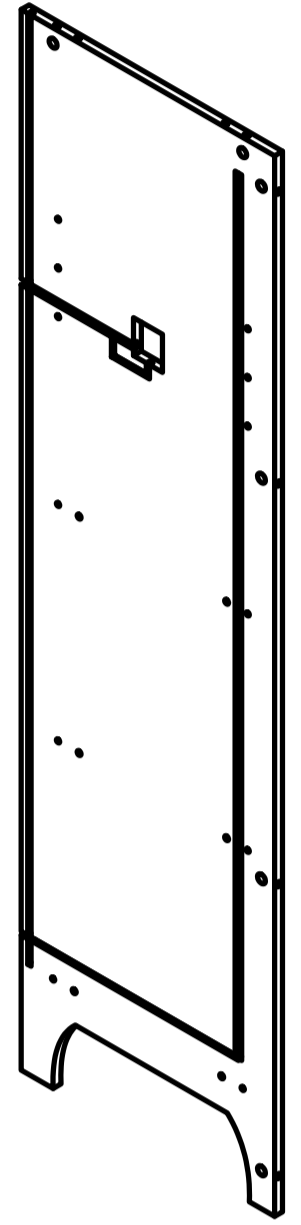
**B x1**



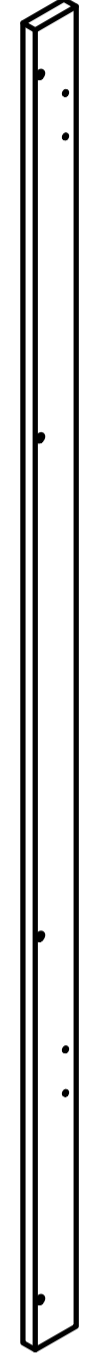
**C x1**



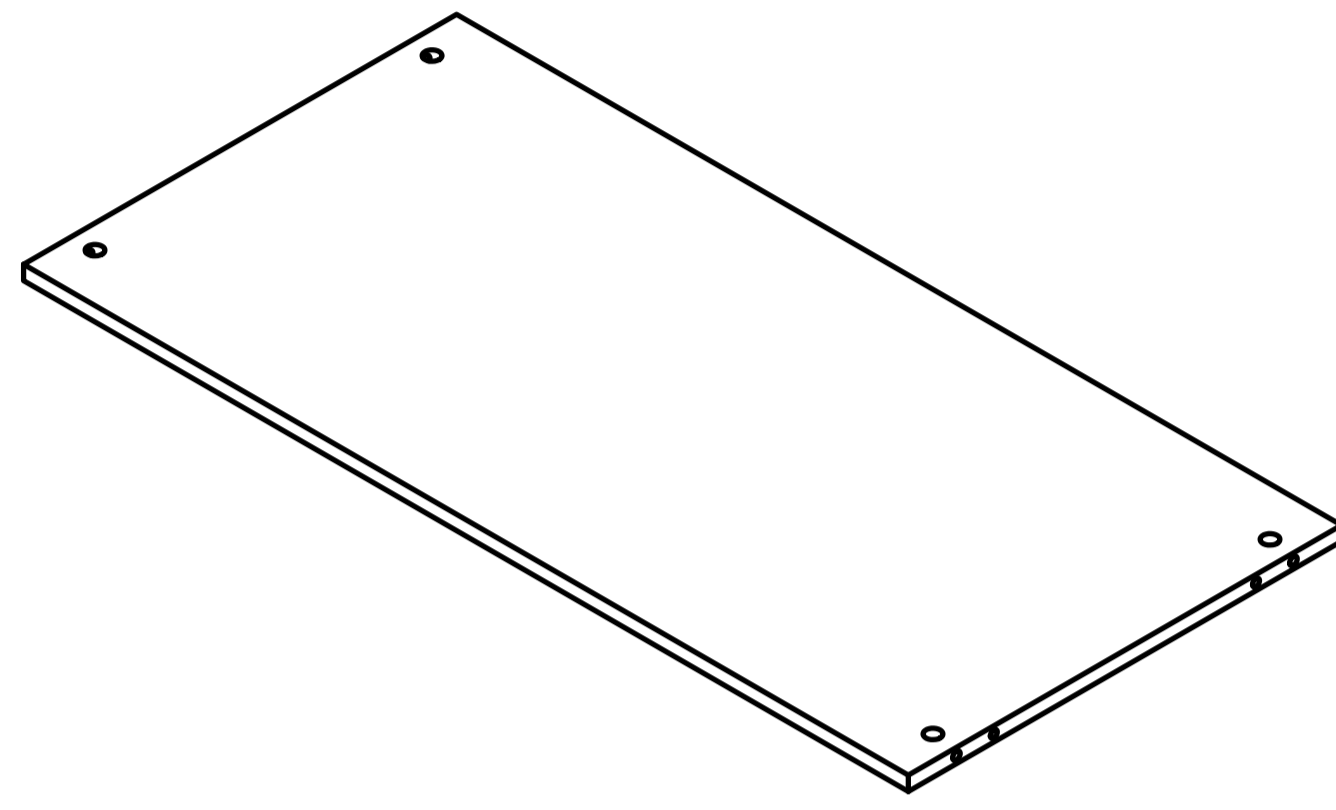
**D x1**



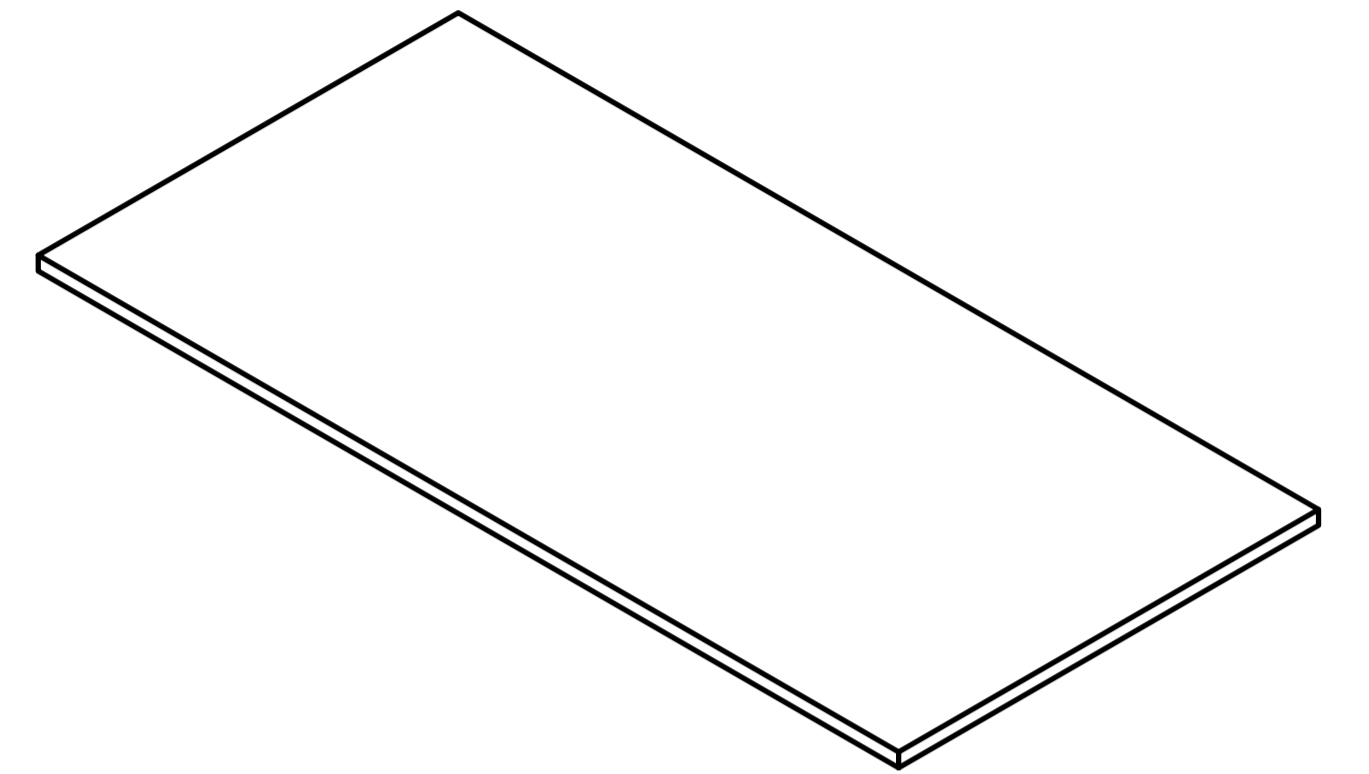
**E x1**



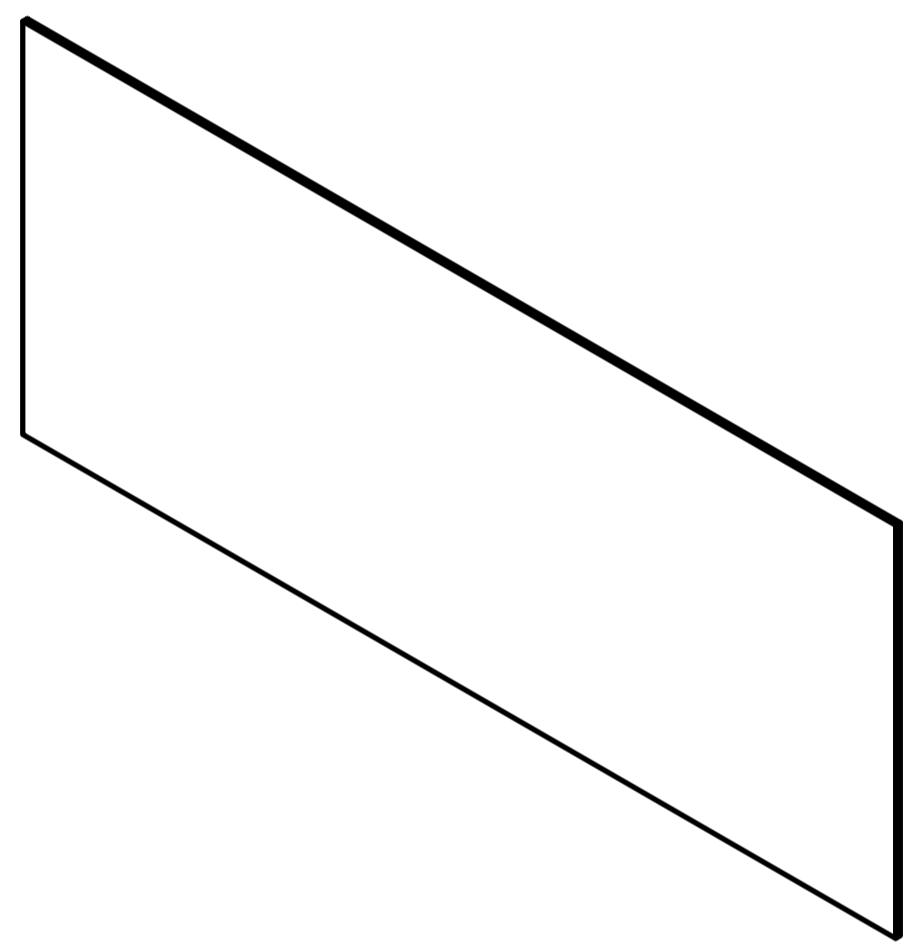
**F x1**



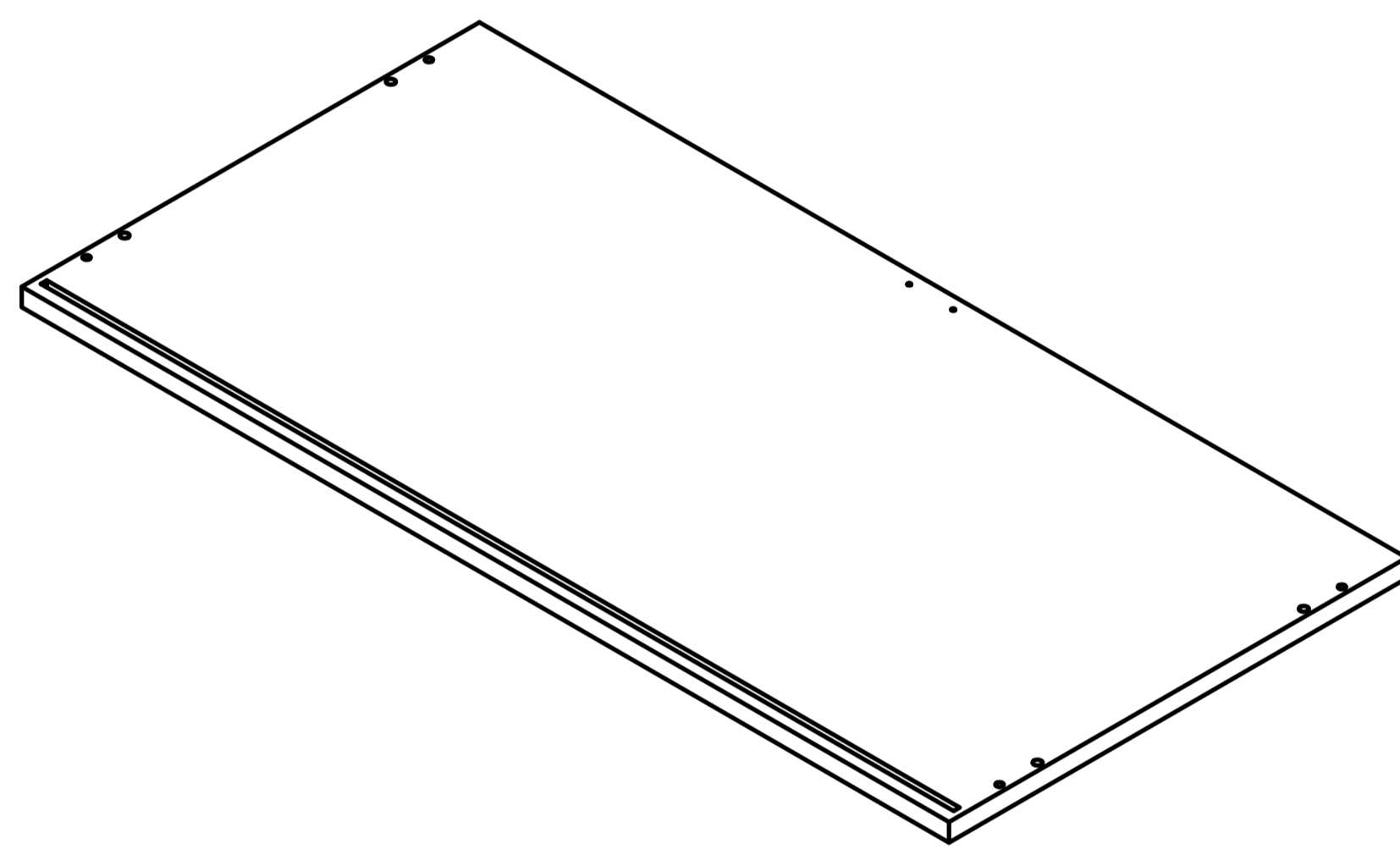
**G x2**



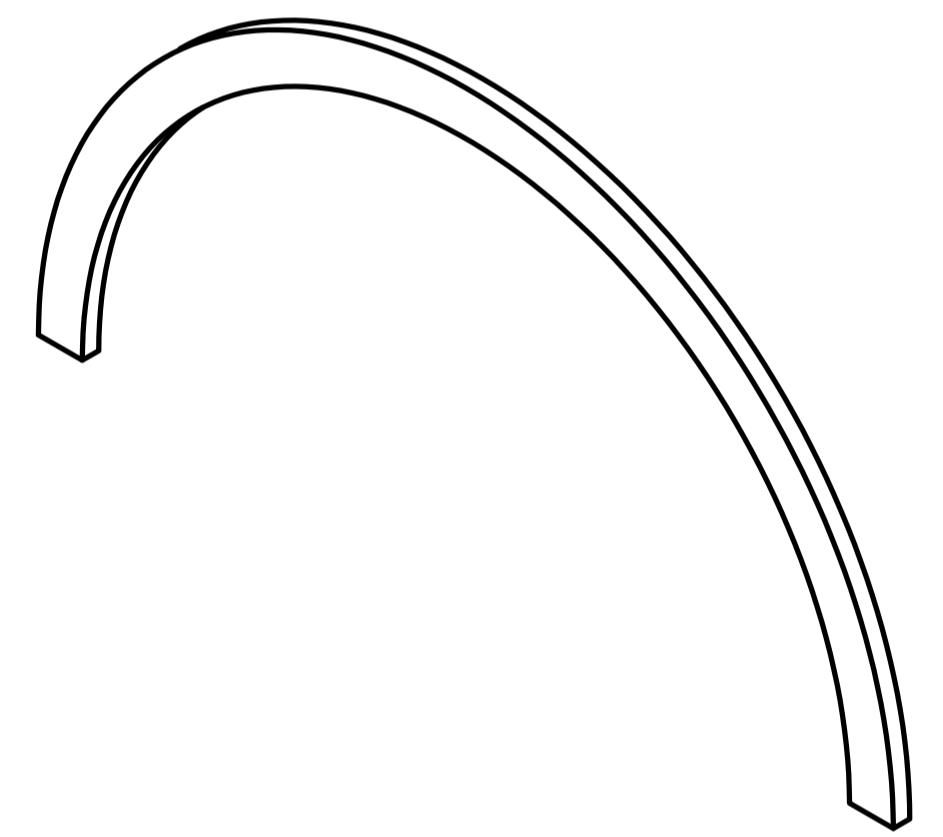
**H x1**



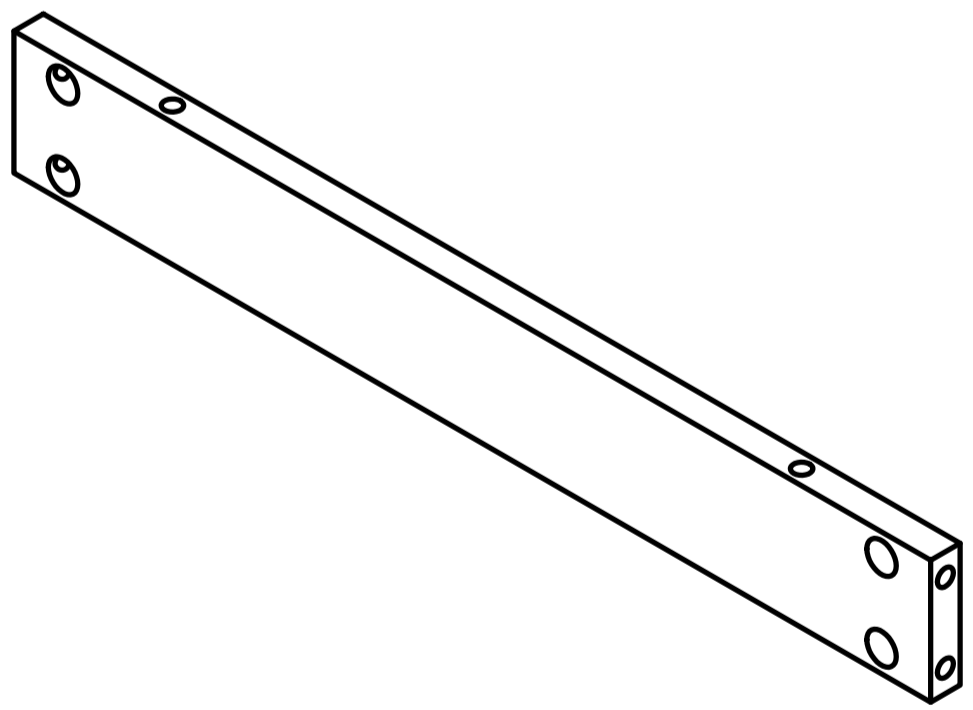
**I x4**



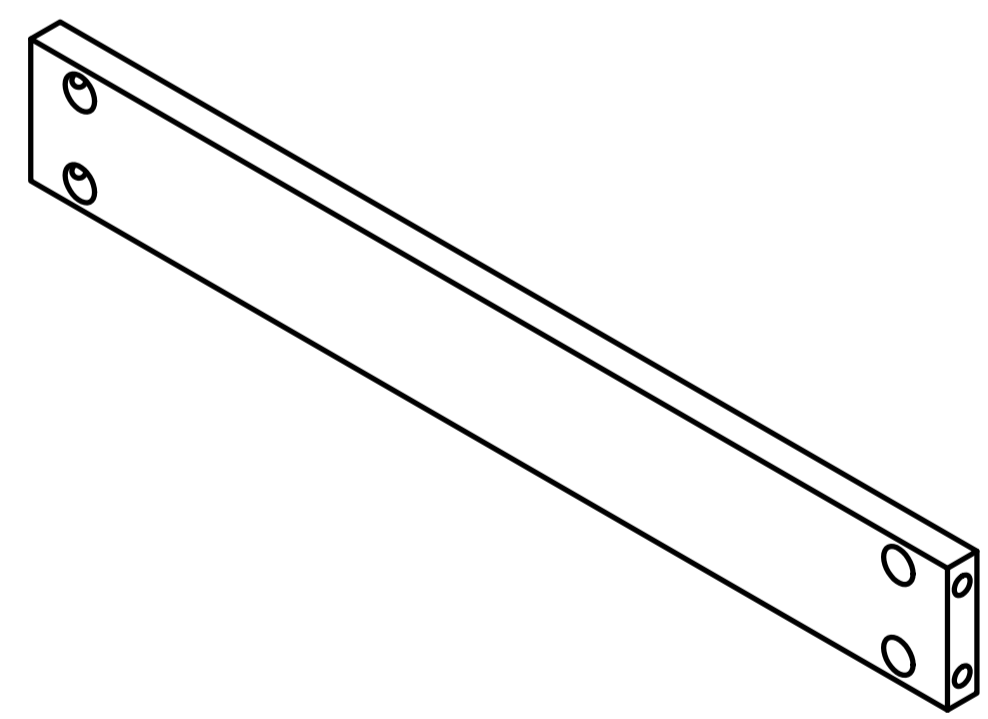
**J x1**



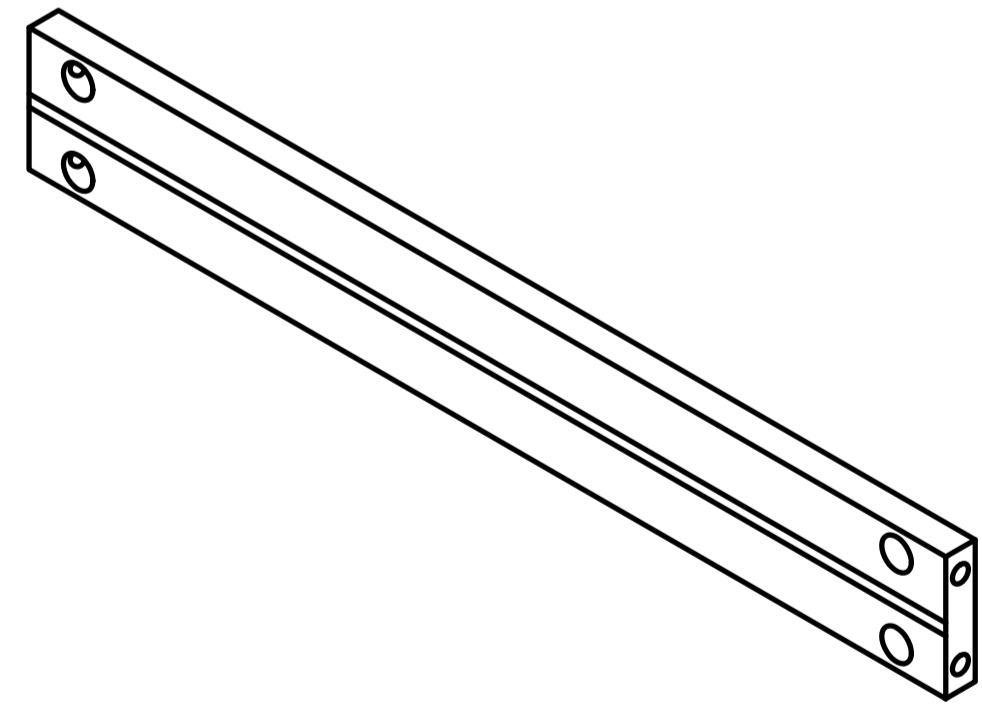
**K x1**



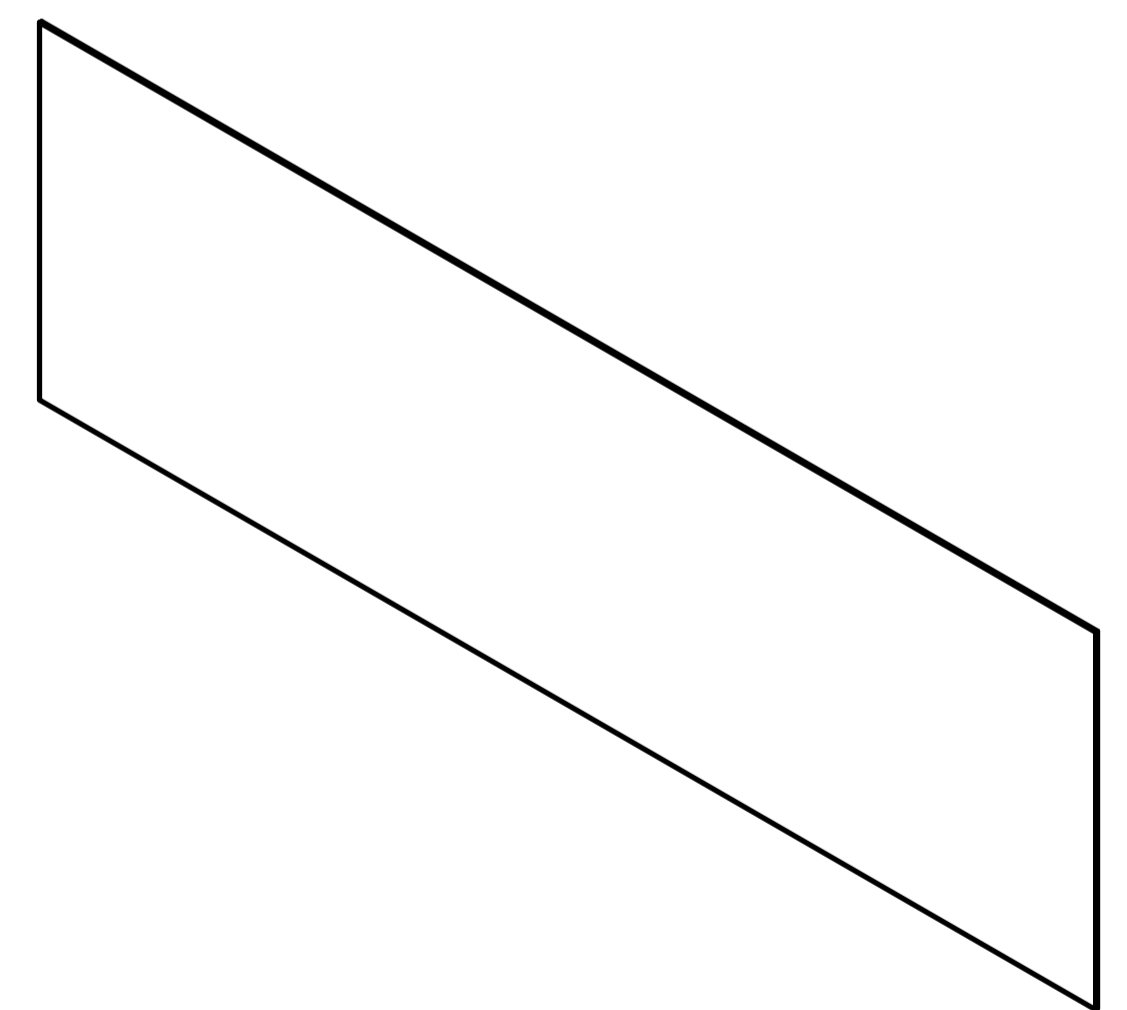
**L x2**



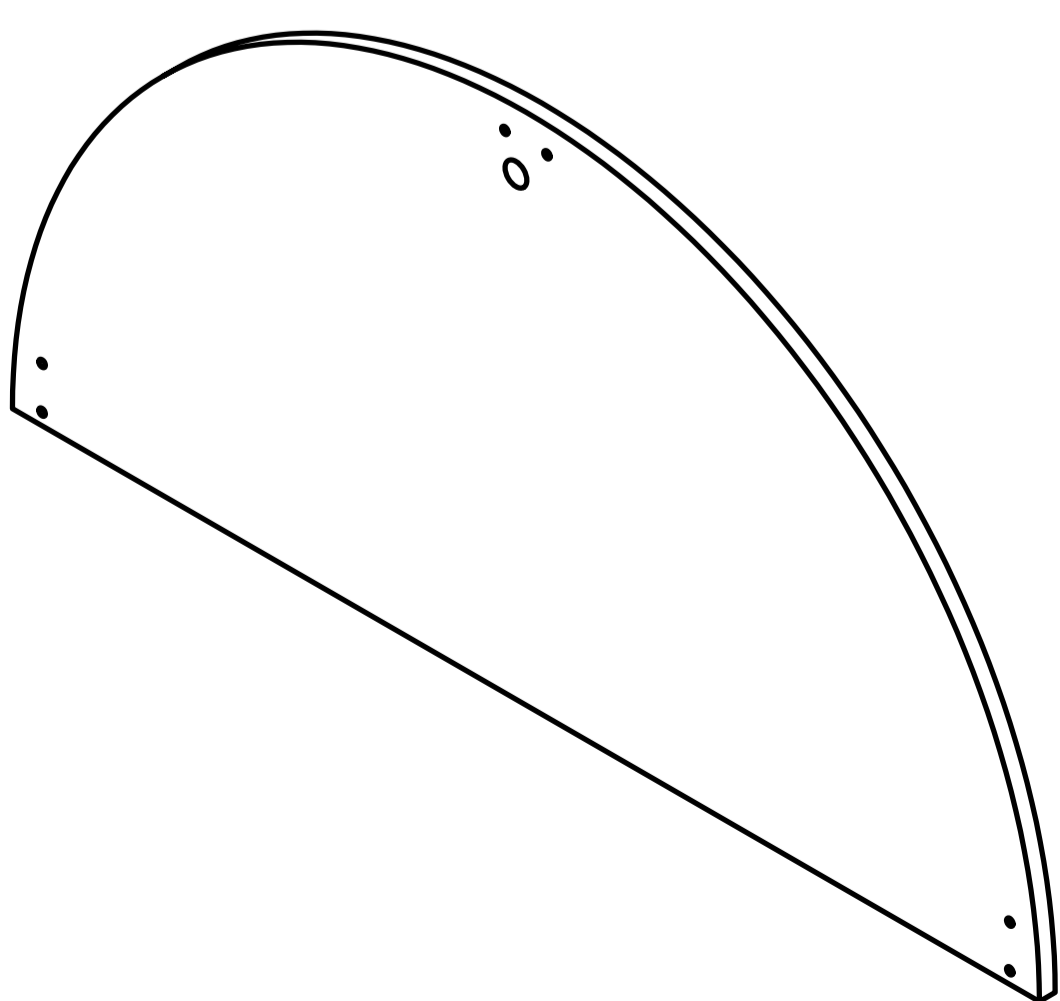
**M<sub>1</sub> x1**



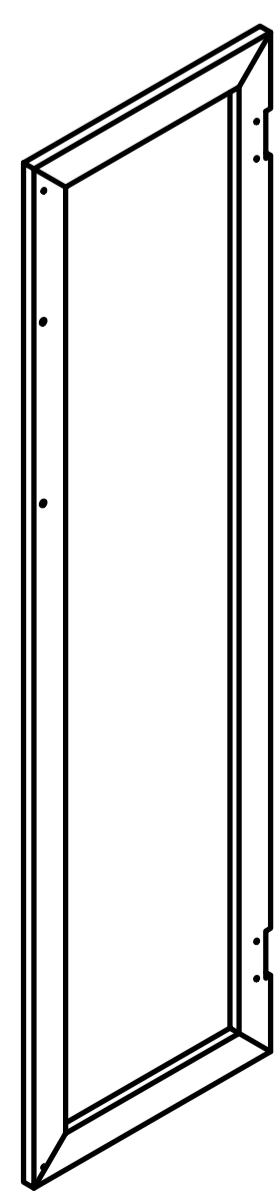
**M<sub>2</sub> x1**



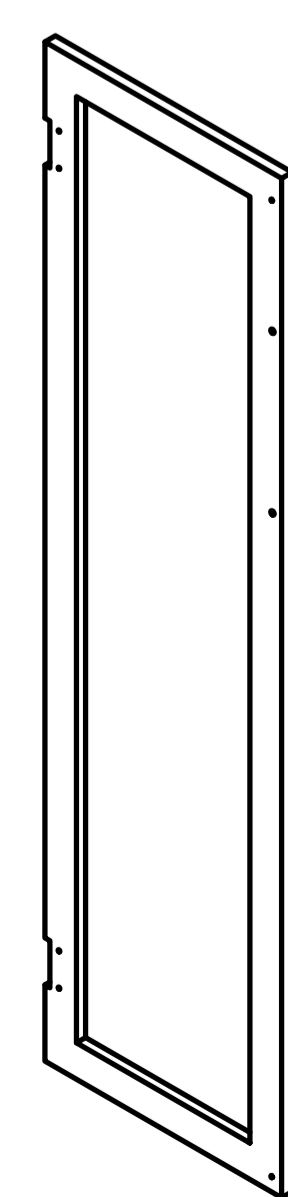
**N x1**



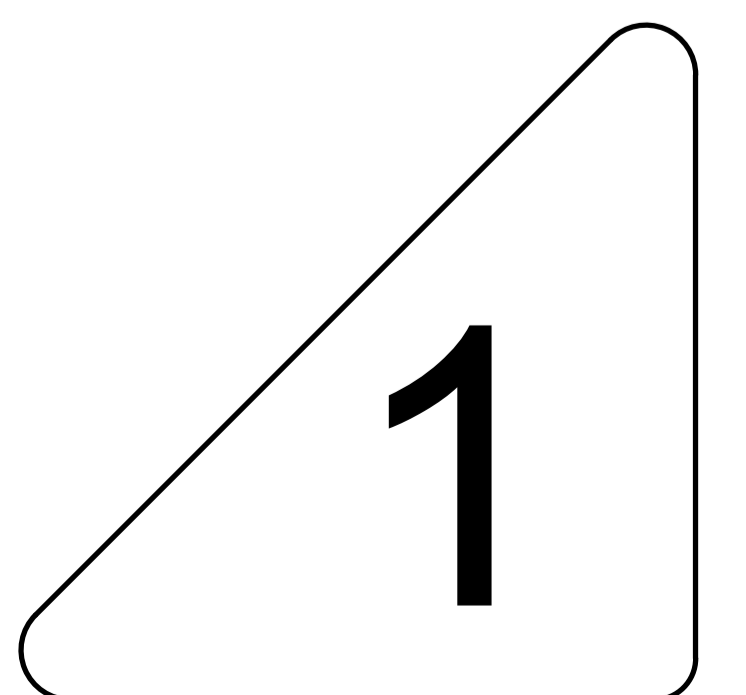
**O x1**



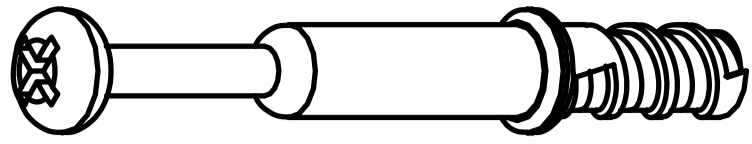
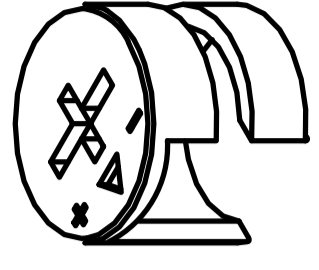
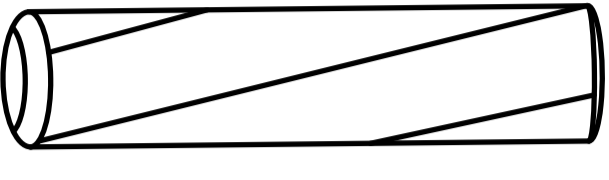
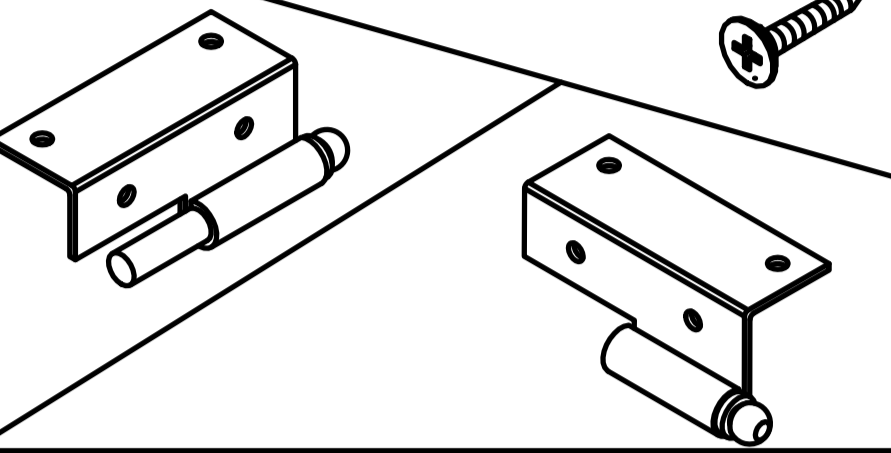
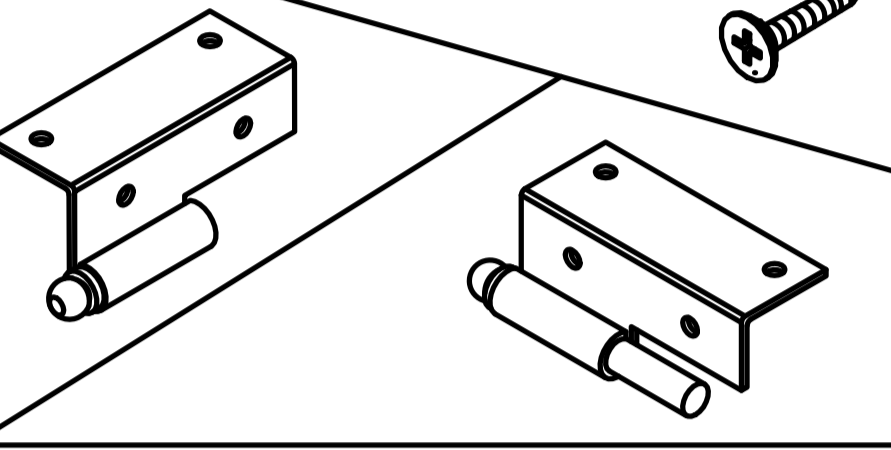

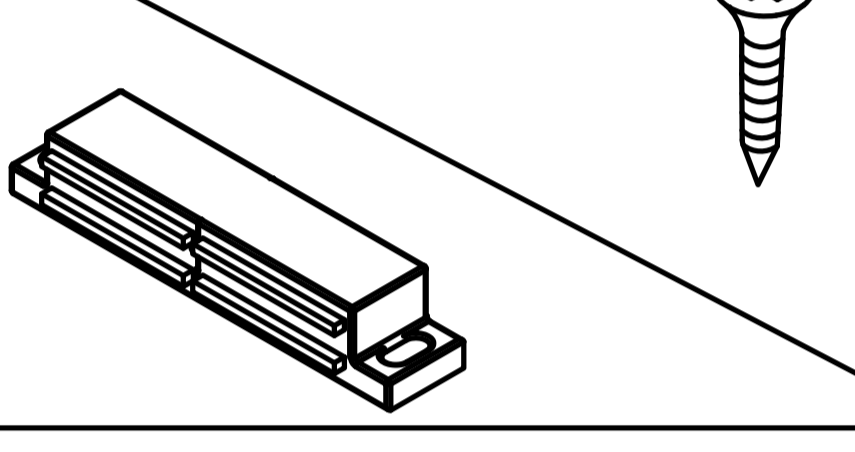
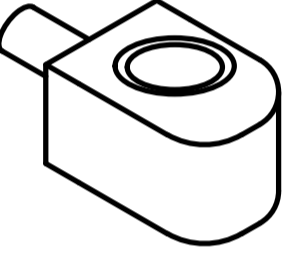
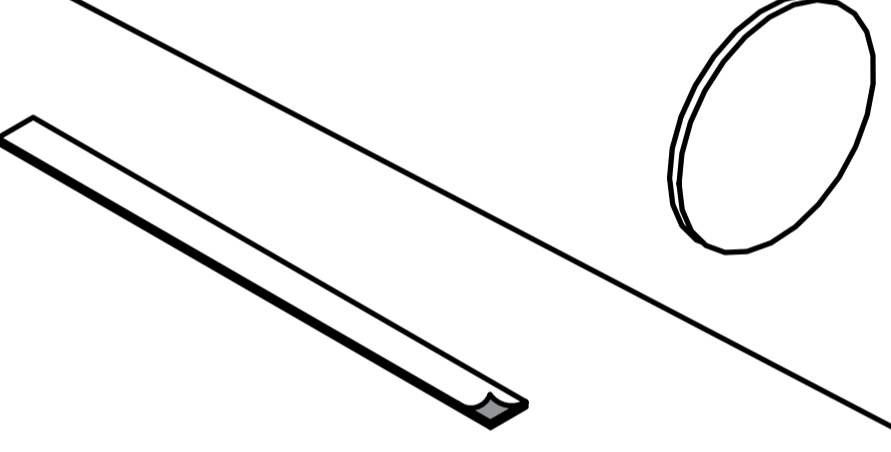

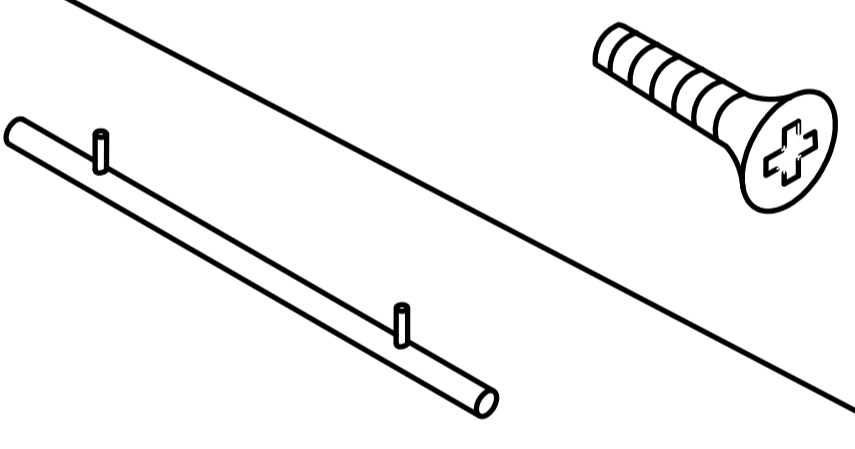
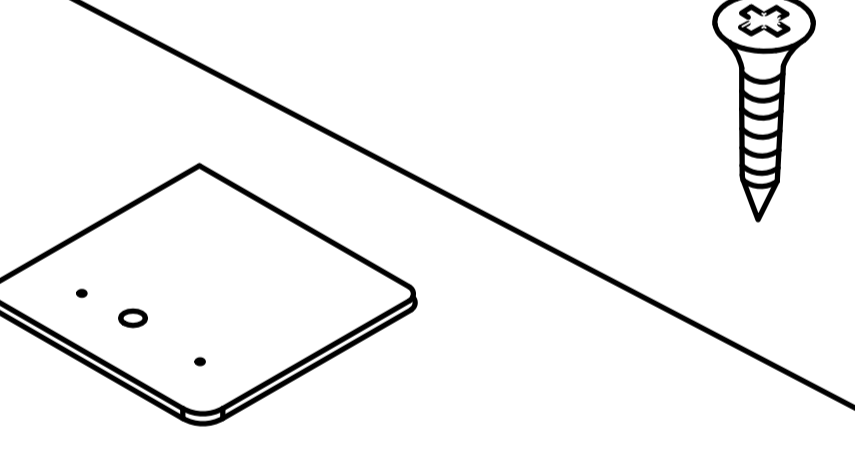
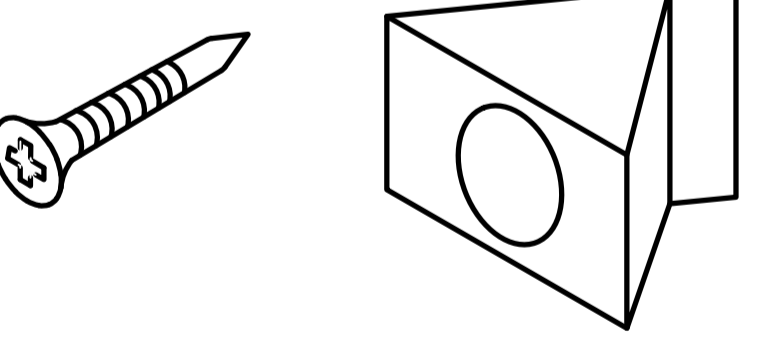
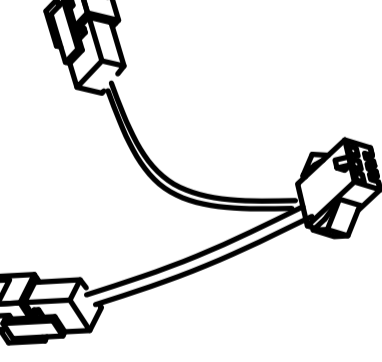
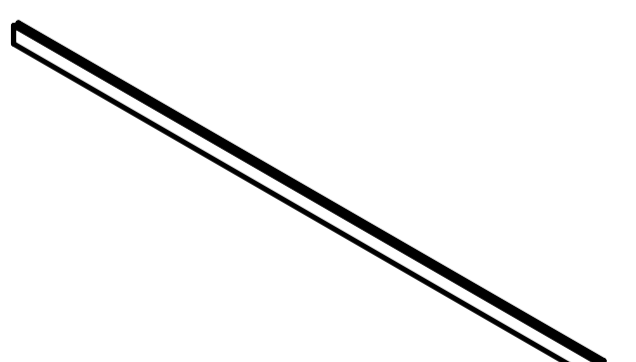
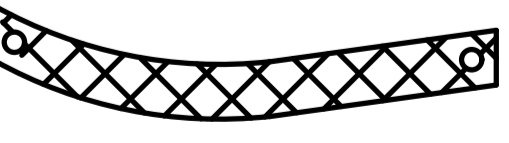
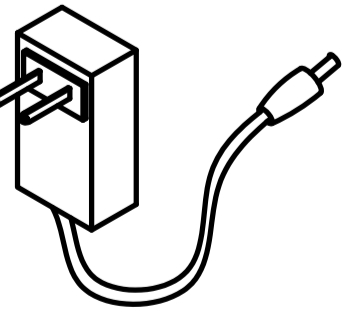
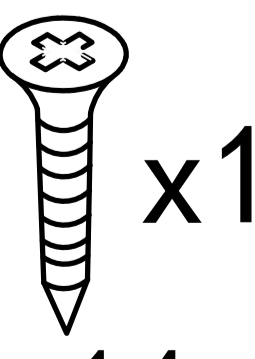


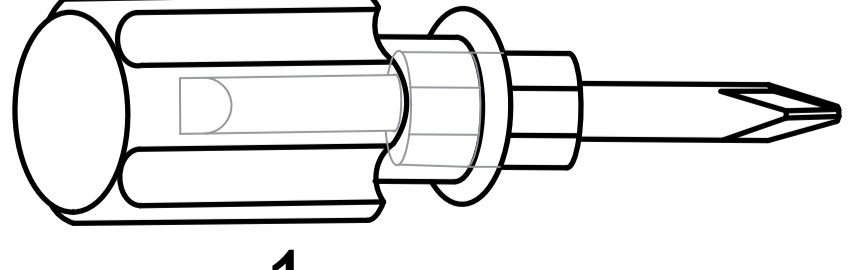
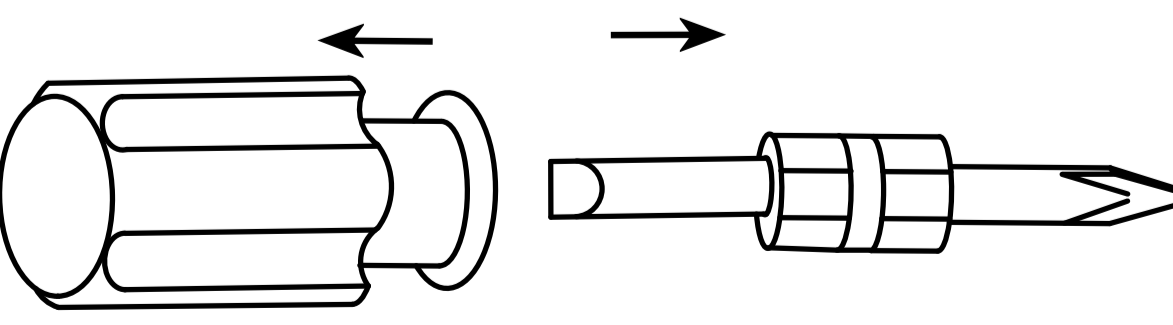

**P x1**

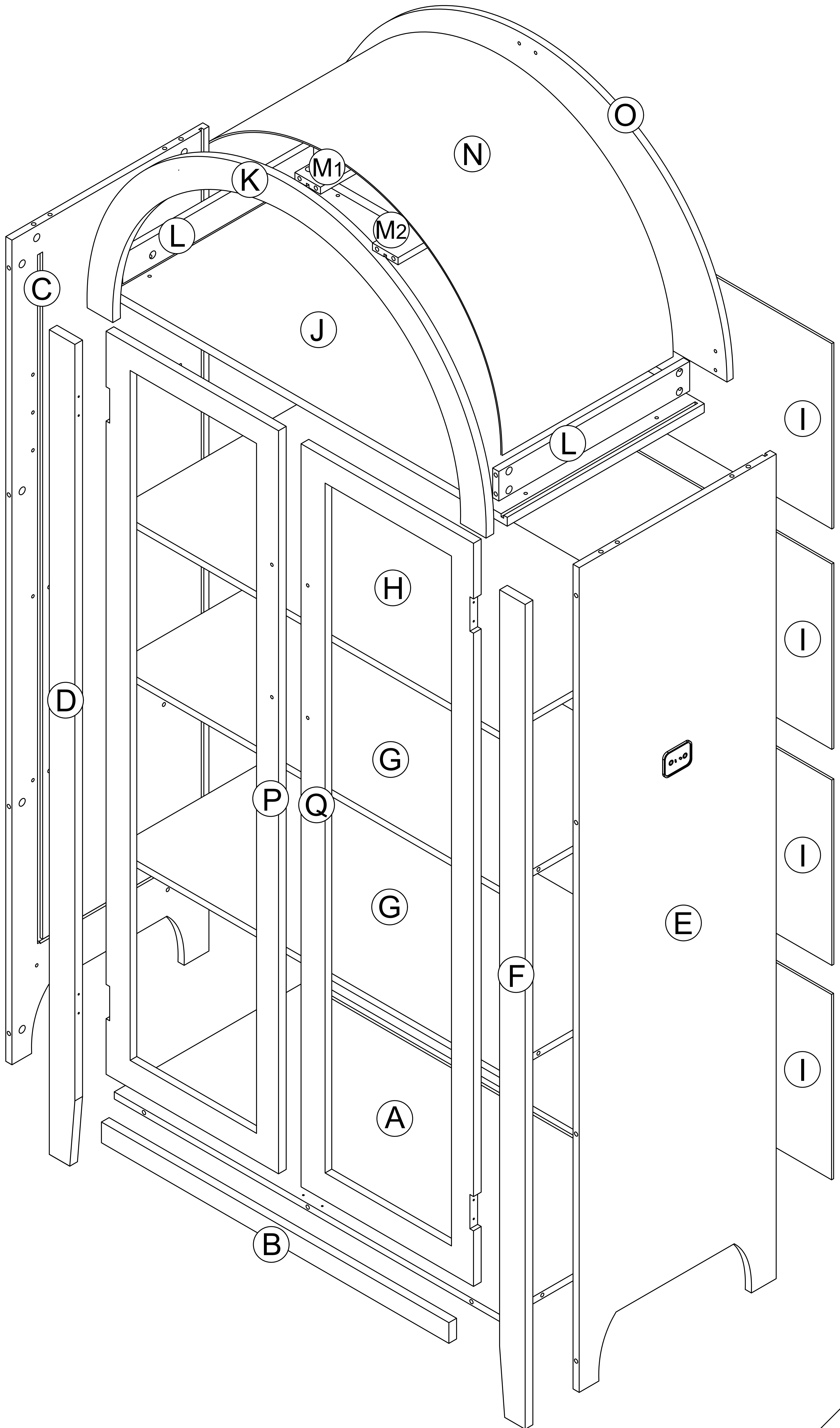


**Q x1**



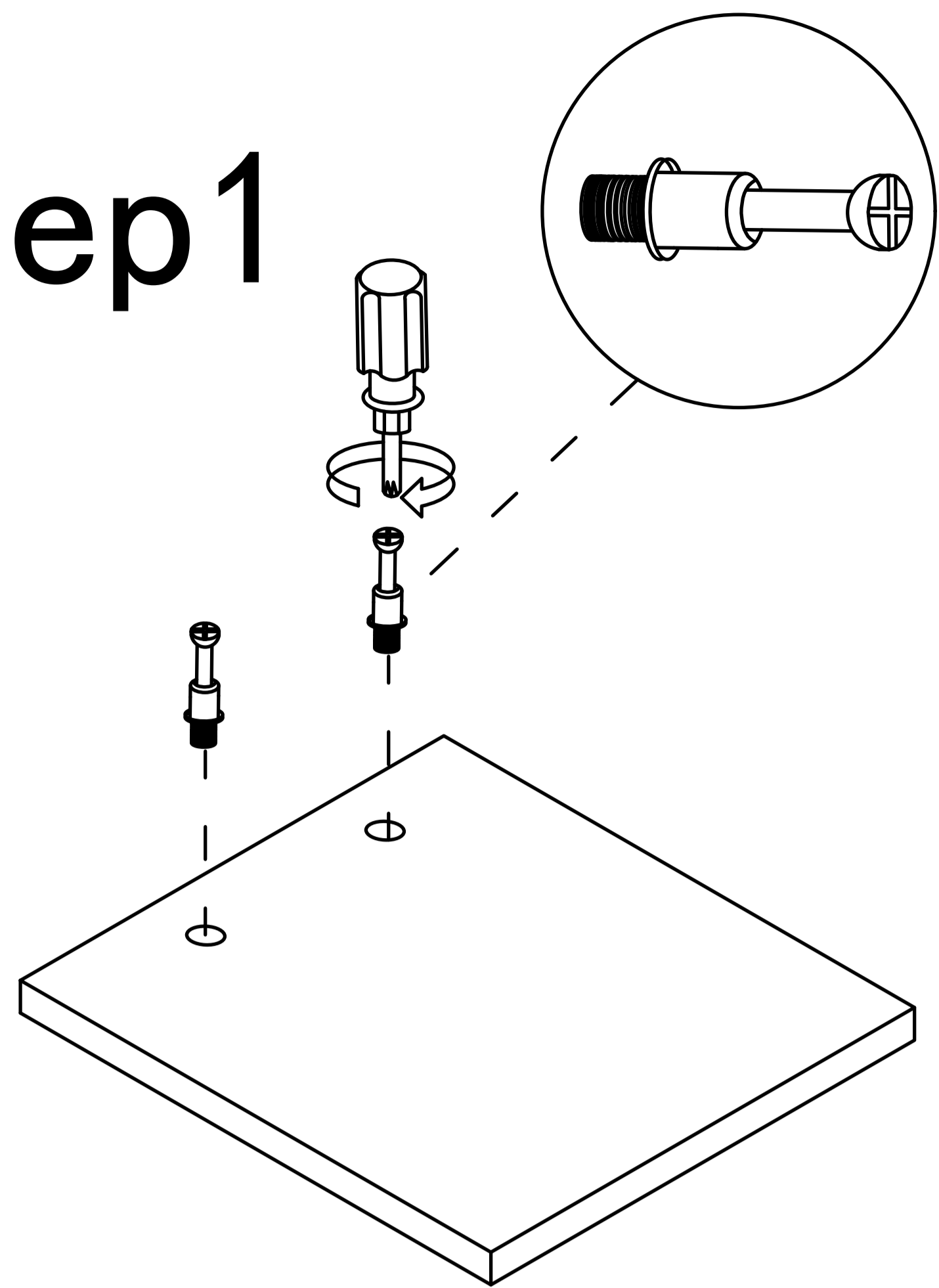
**1**

①		Two In One Screw (6x28mm)	50pcs +5pcs
②		Two In One Nut (10x12mm)	50pcs +5pcs
③		Wood Chipping (6x30mm)	16pcs +4pcs
④		Left hinge & Screw (3.5x12mm)	2pcs / 16pcs +2pcs
⑤		Right hinge & Screw (3.5x12mm)	2pcs / 16pcs +2pcs
⑥		Non-slip pads	4pcs
⑦		Magnets & Screw (3x12mm)	2pcs / 4pcs +1pcs
⑧		Laminate support nail	4pcs +1pcs
⑨		Sticker (L=371mm Ø20mm)	1pcs / 4pcs +1pcs
⑩		Wire	1pcs
⑪		Handle & screw (4x22mm)	2pcs / 4pcs +2pcs
⑫		Magnetic Attraction & Screw (3x12mm)	4pcs / 4pcs +2pcs
⑬		Fixing clip & screw (3x16mm)	8pcs +2pcs
⑭		Forked line	1pcs
⑮		Backboard H-bar	1pcs
⑯	Anti Fall Hardware  x1	 AC/DC Adapter (12V = 2.0A)	1pcs
	 x1  x1  x2	 1pcs  Double-head screwdriver, use as required	

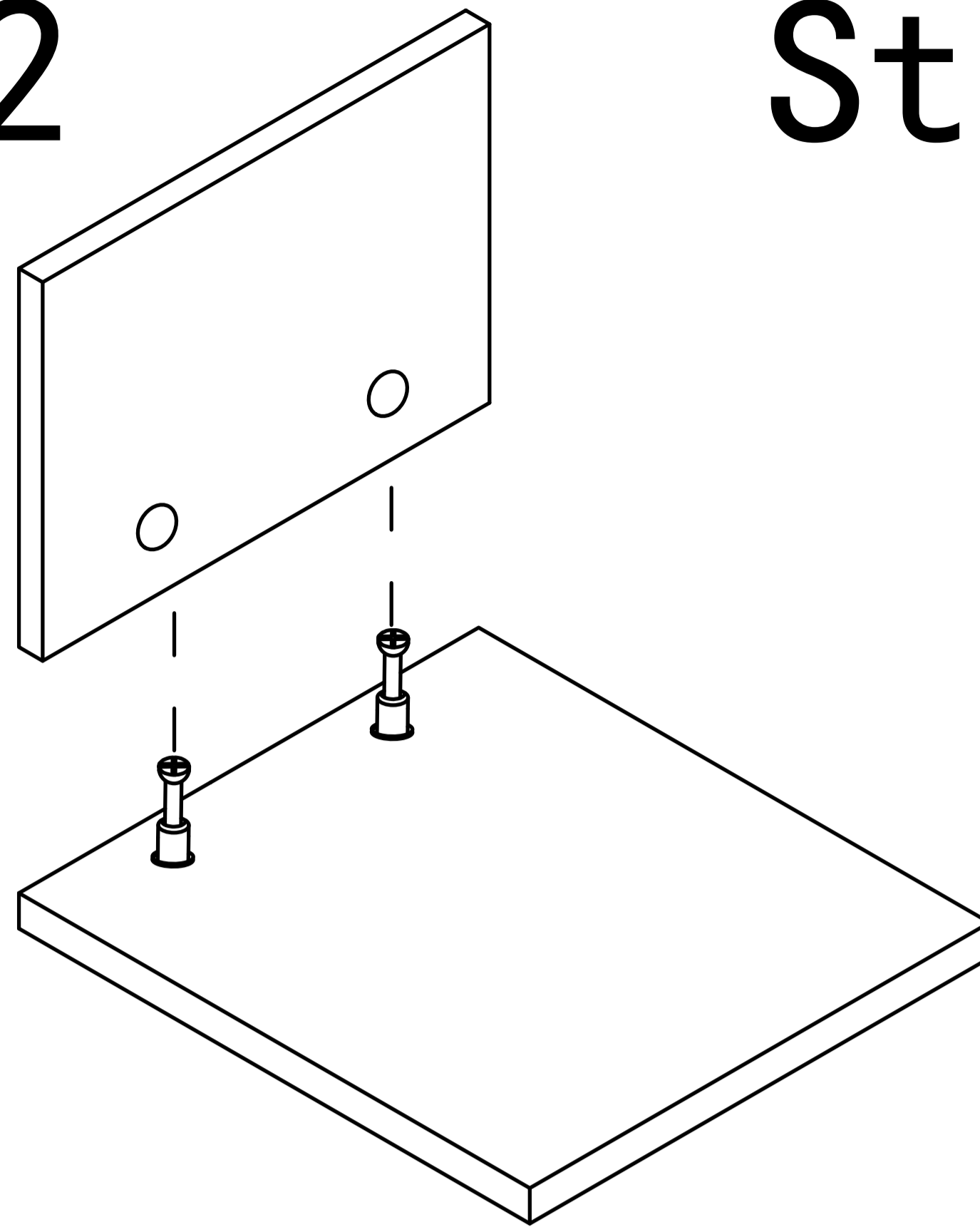


# Screw installation method

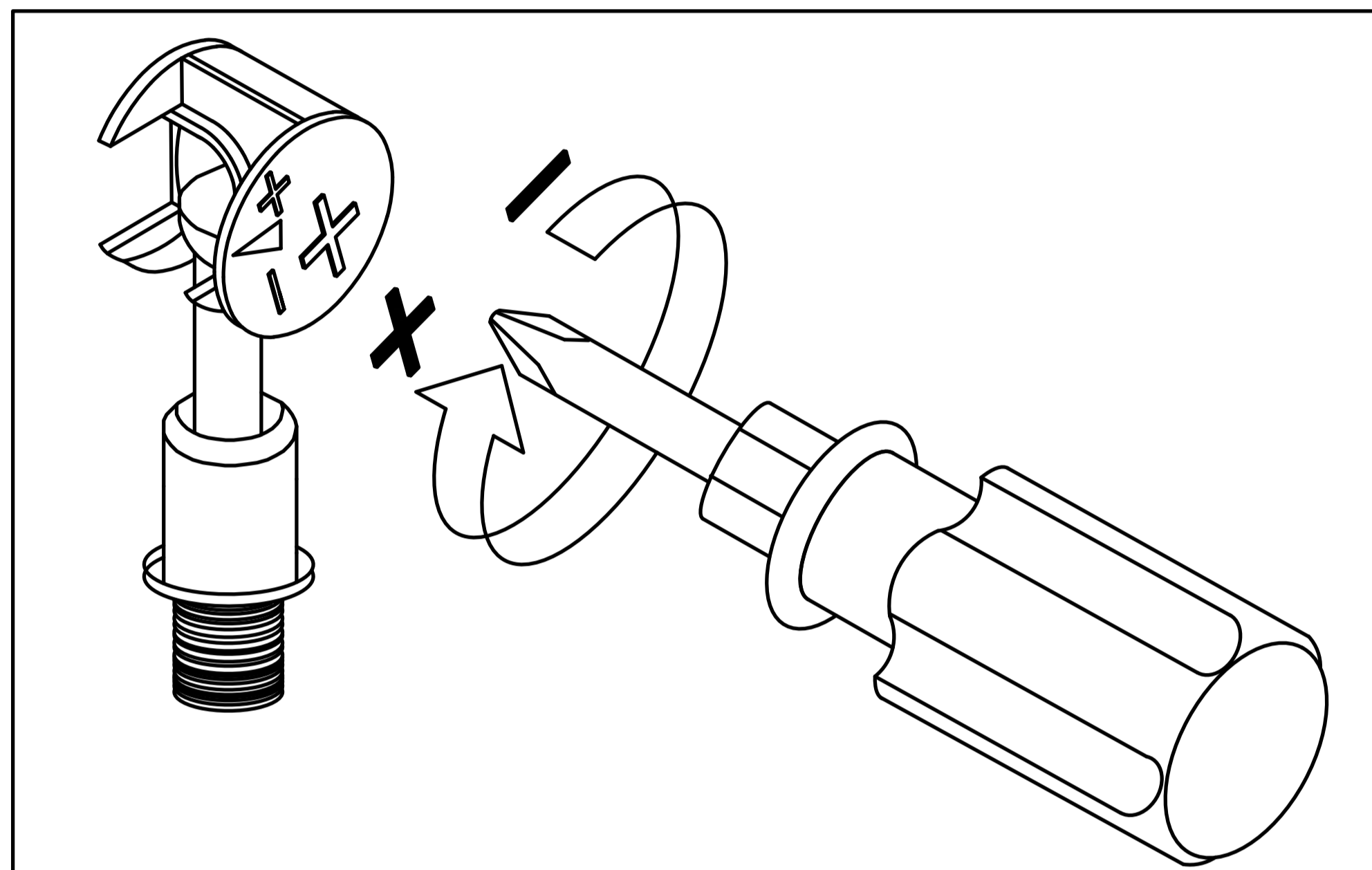
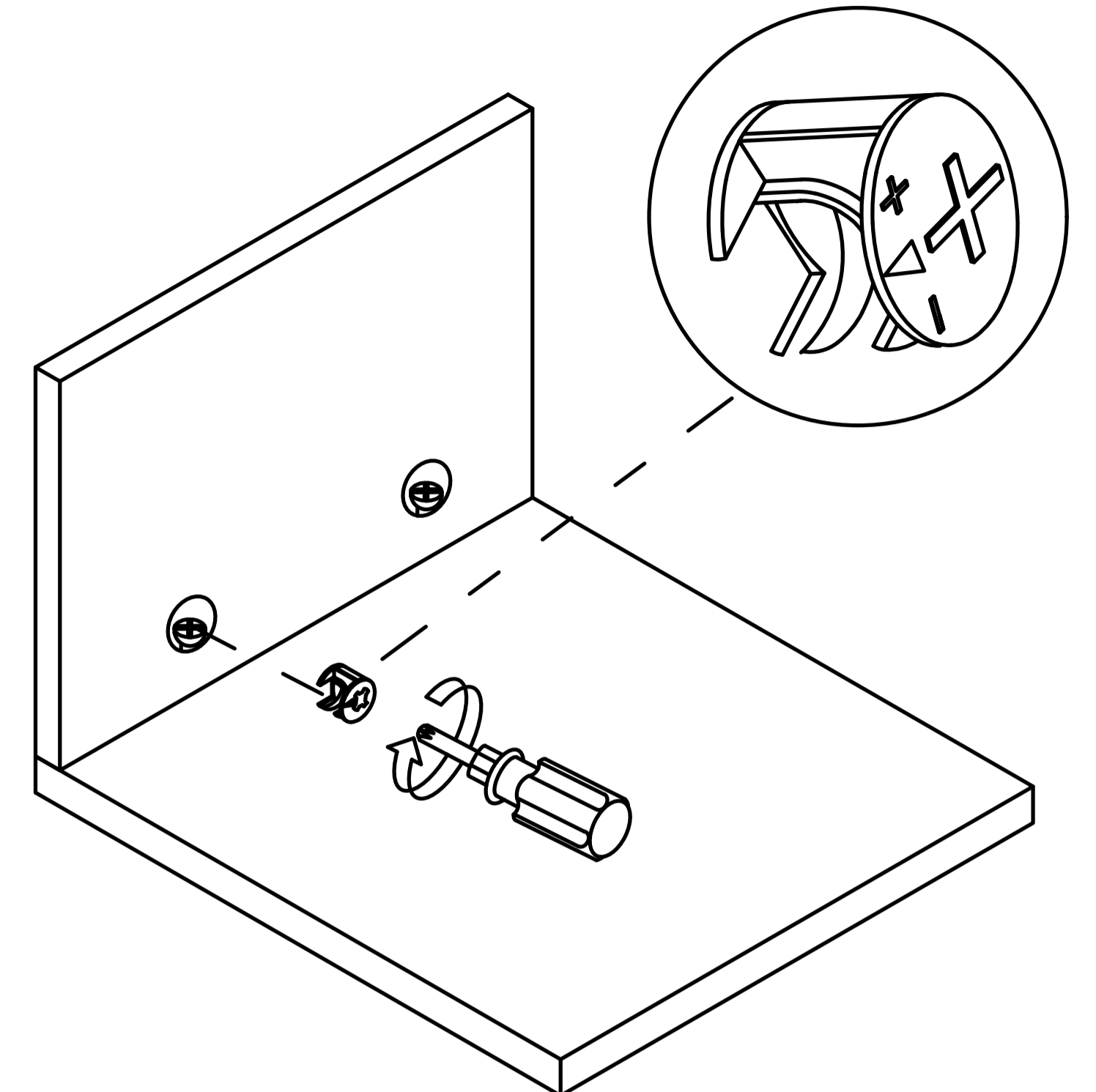
Step 1



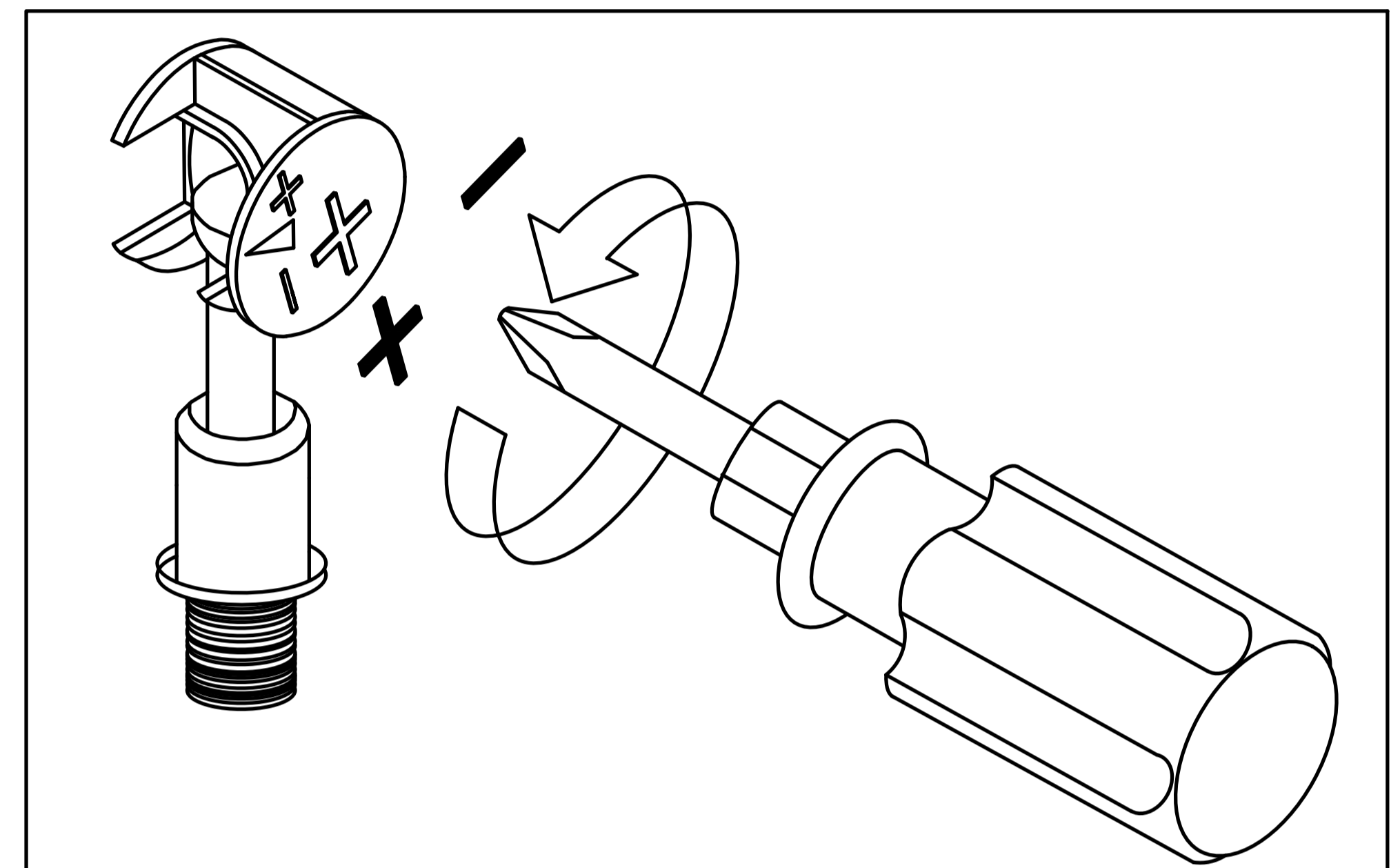
Step 2



Step 3

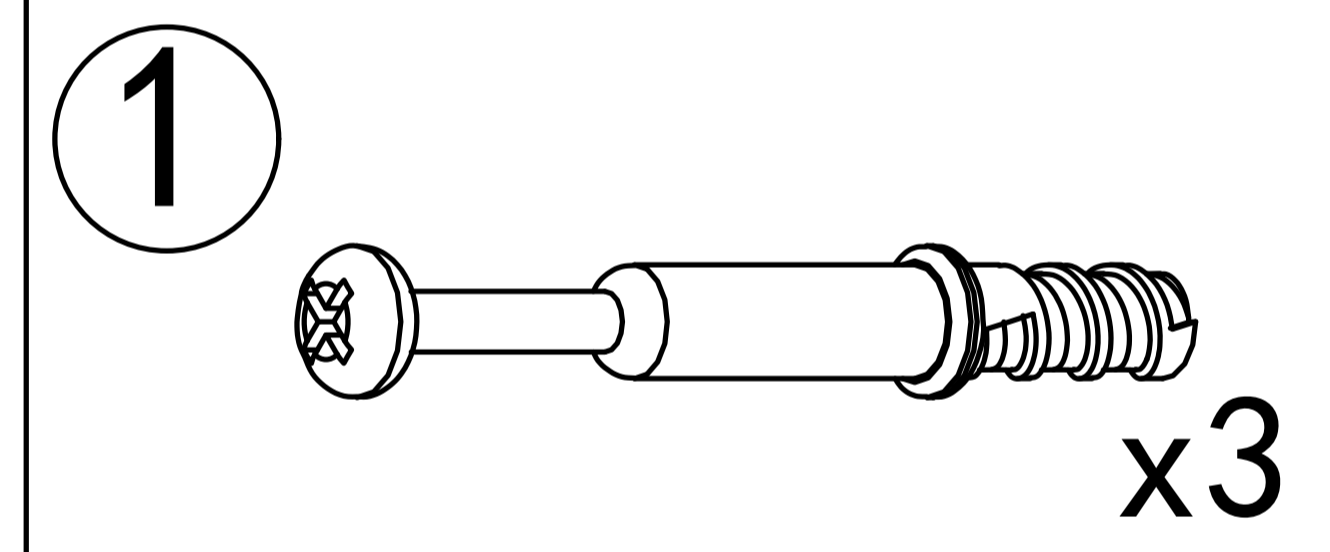
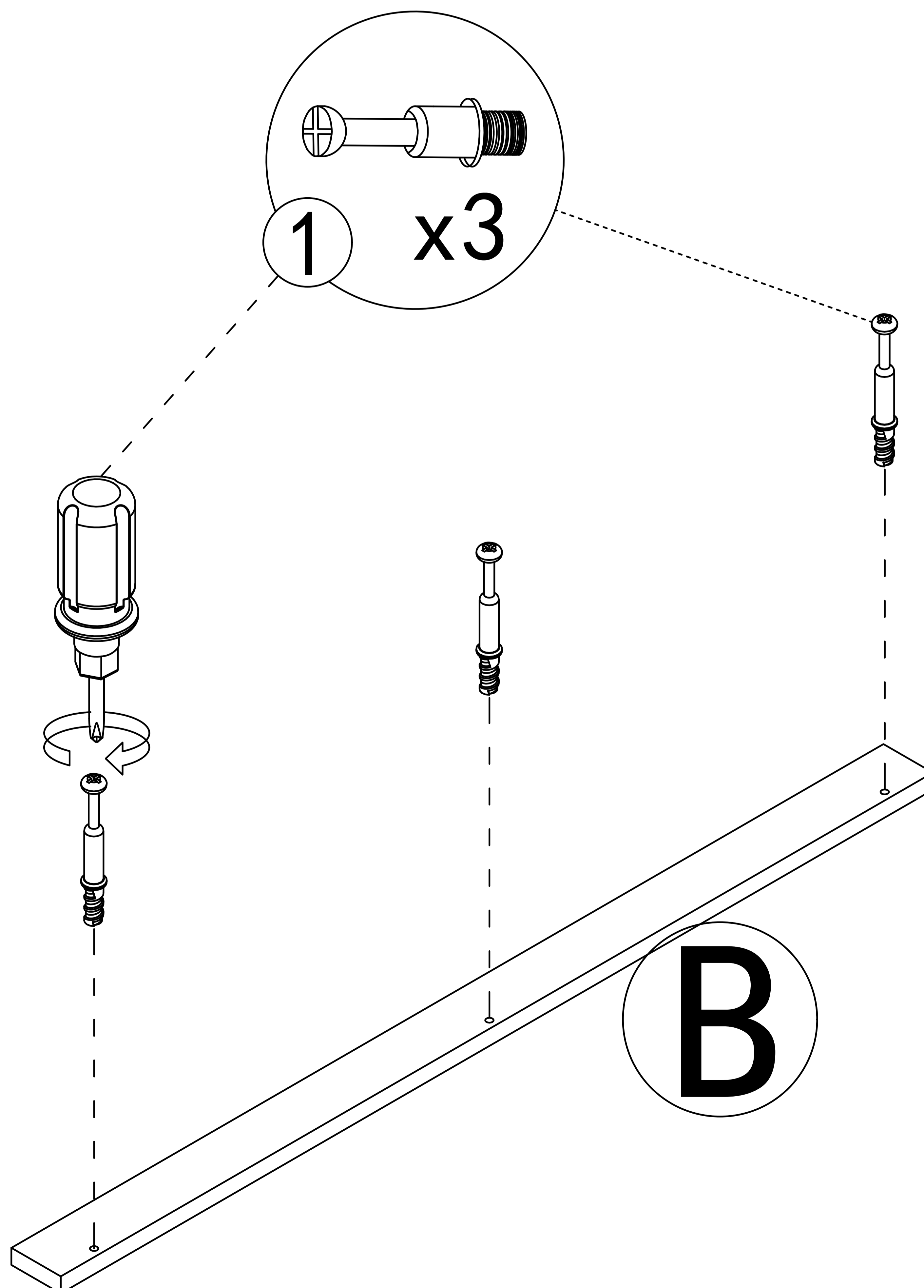


Use a screwdriver to lock in the direction of the "+" sign



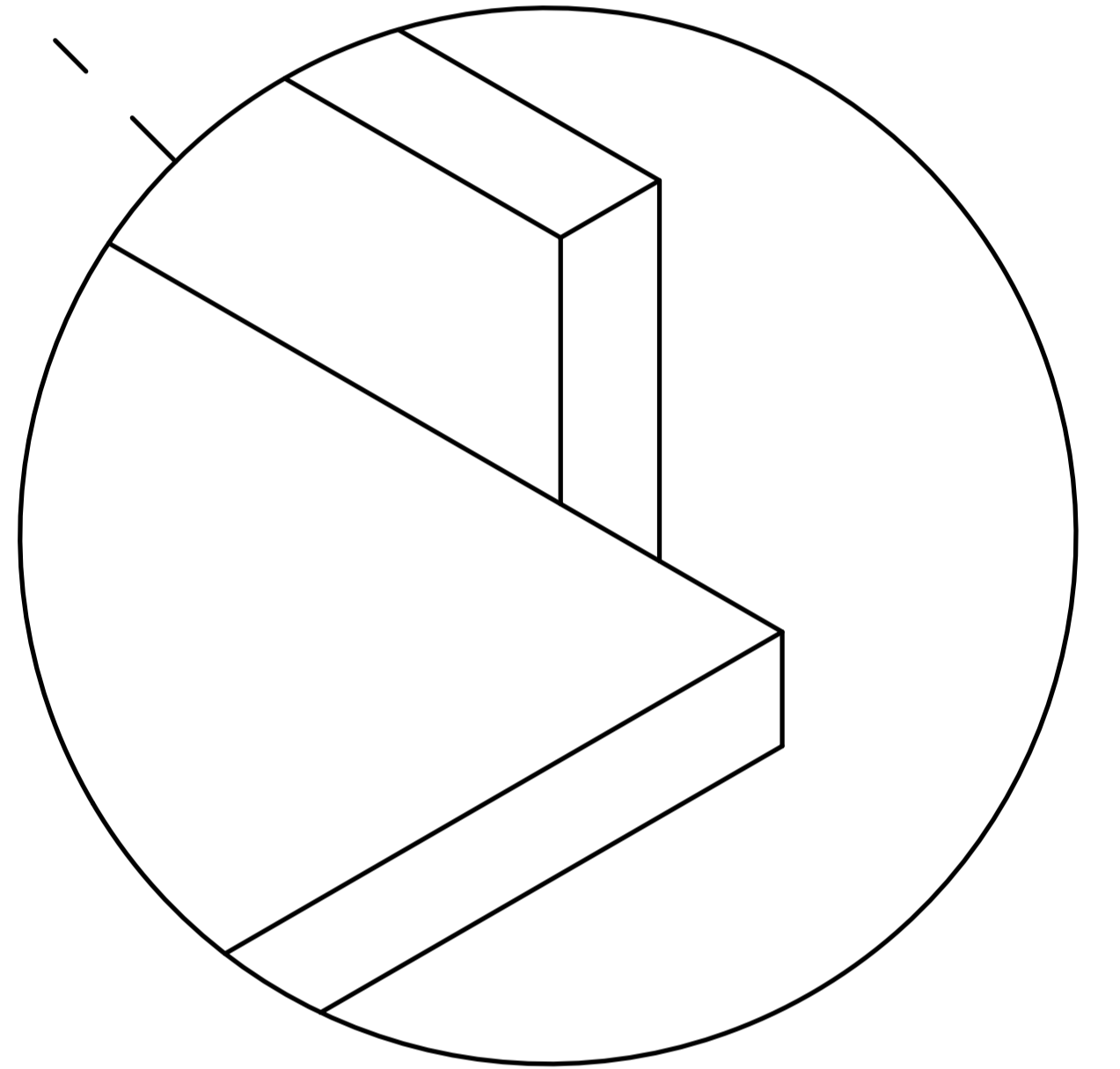
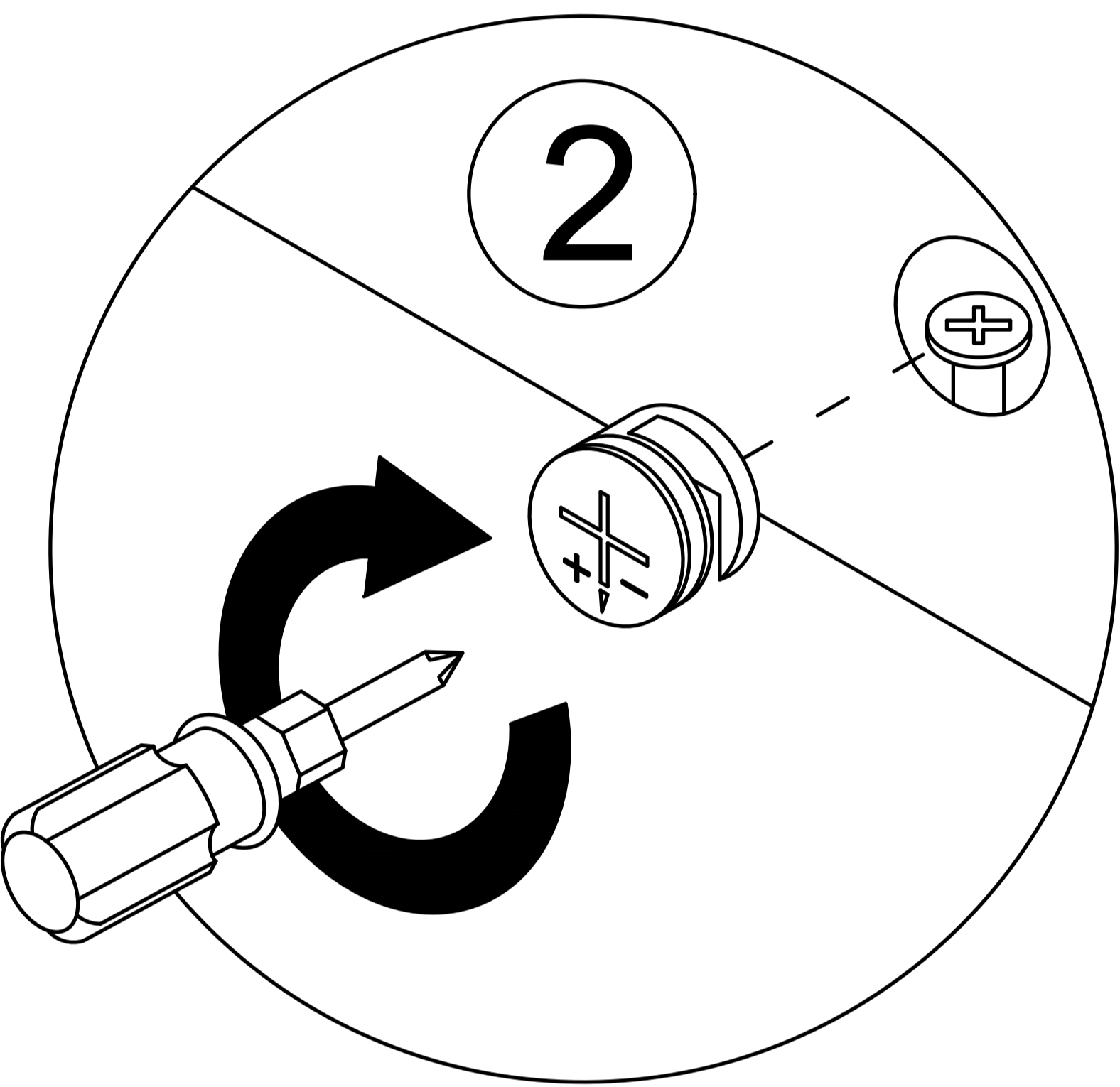
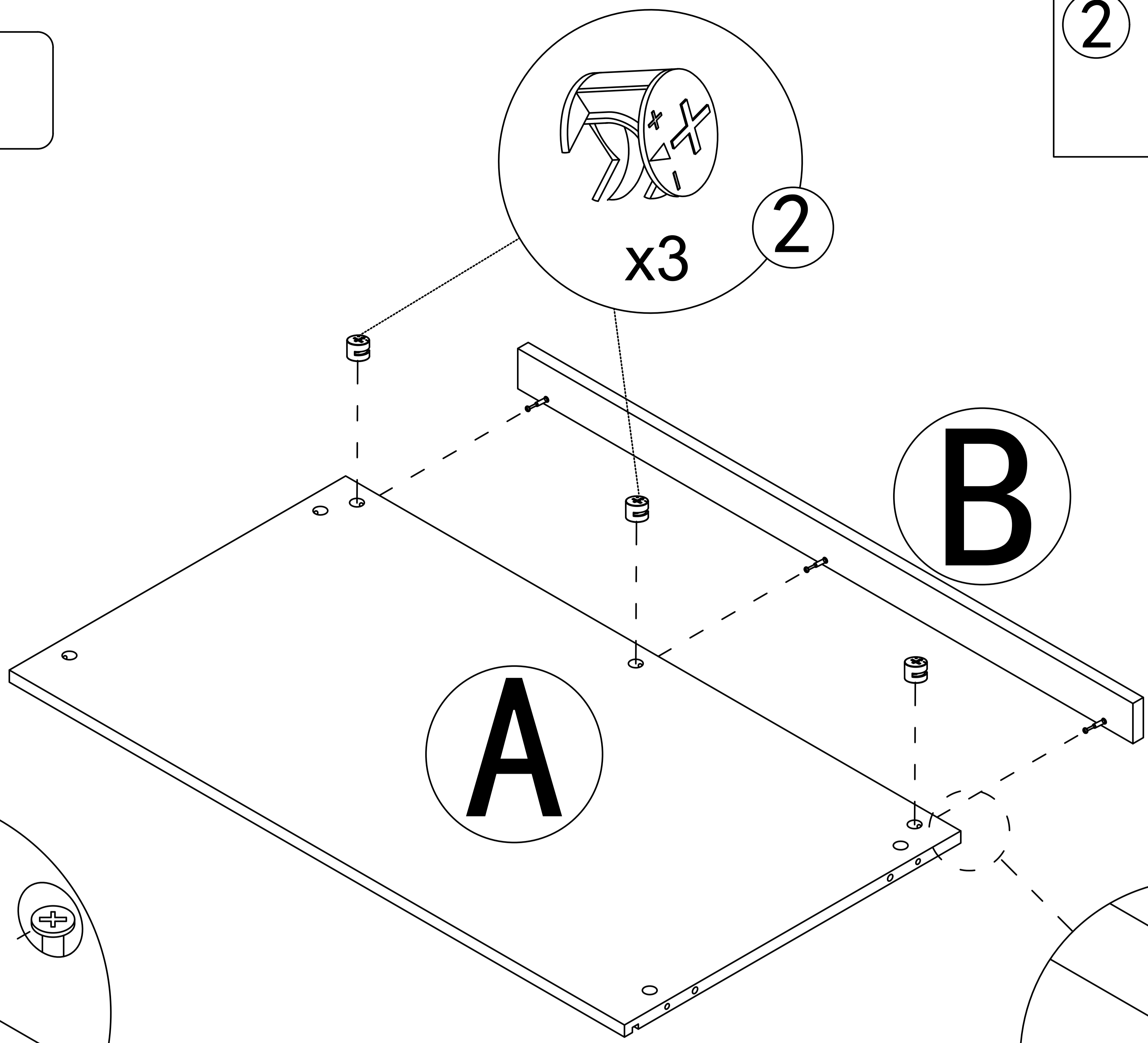
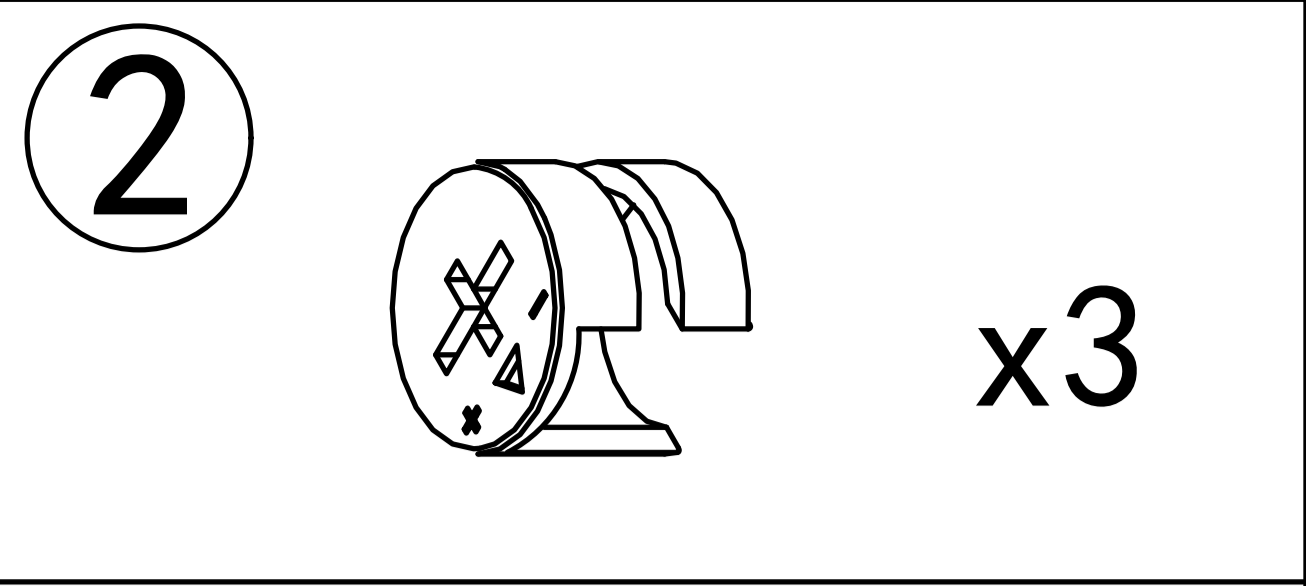
Disassemble along the direction of "-" sign

Step 1

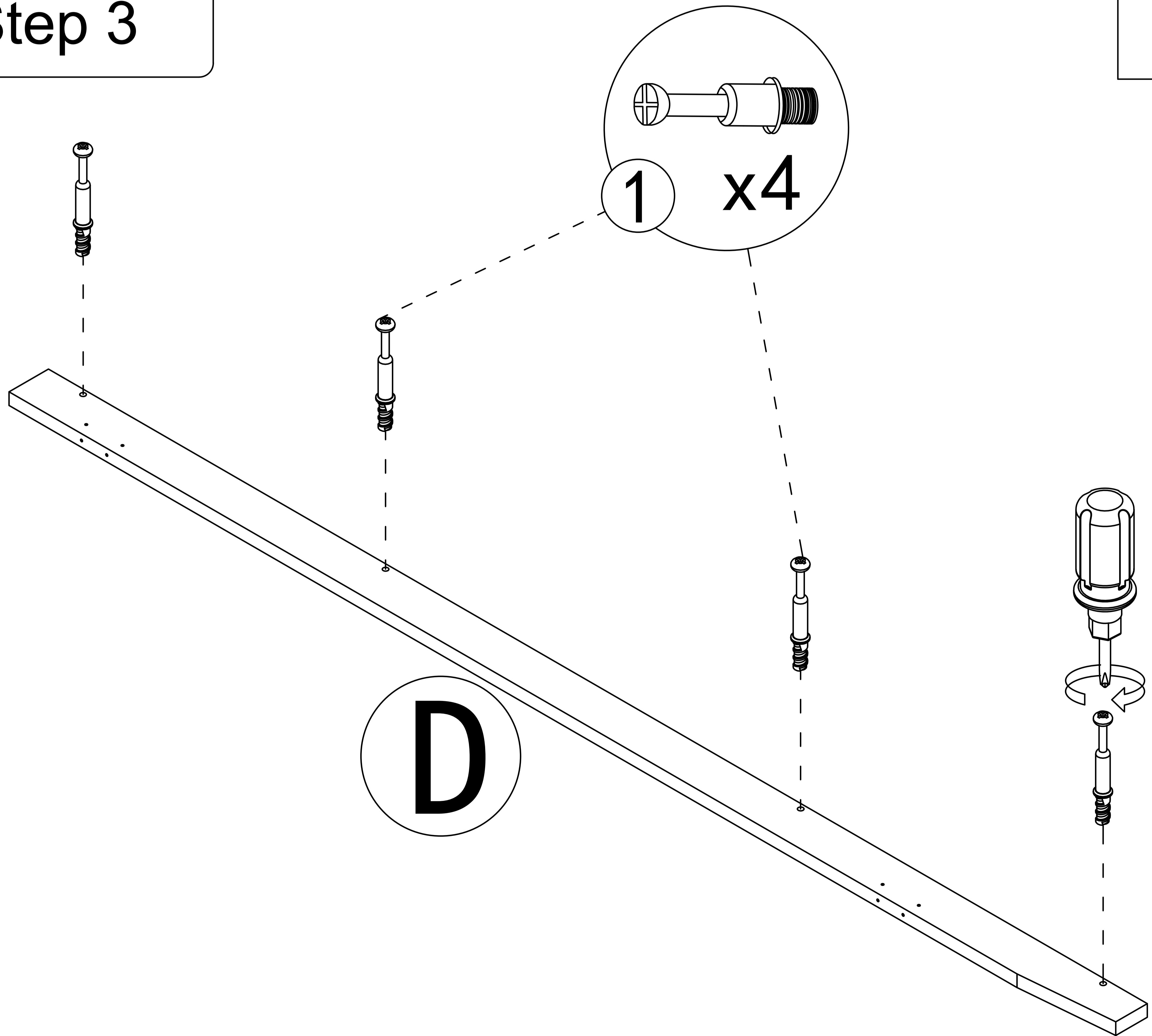
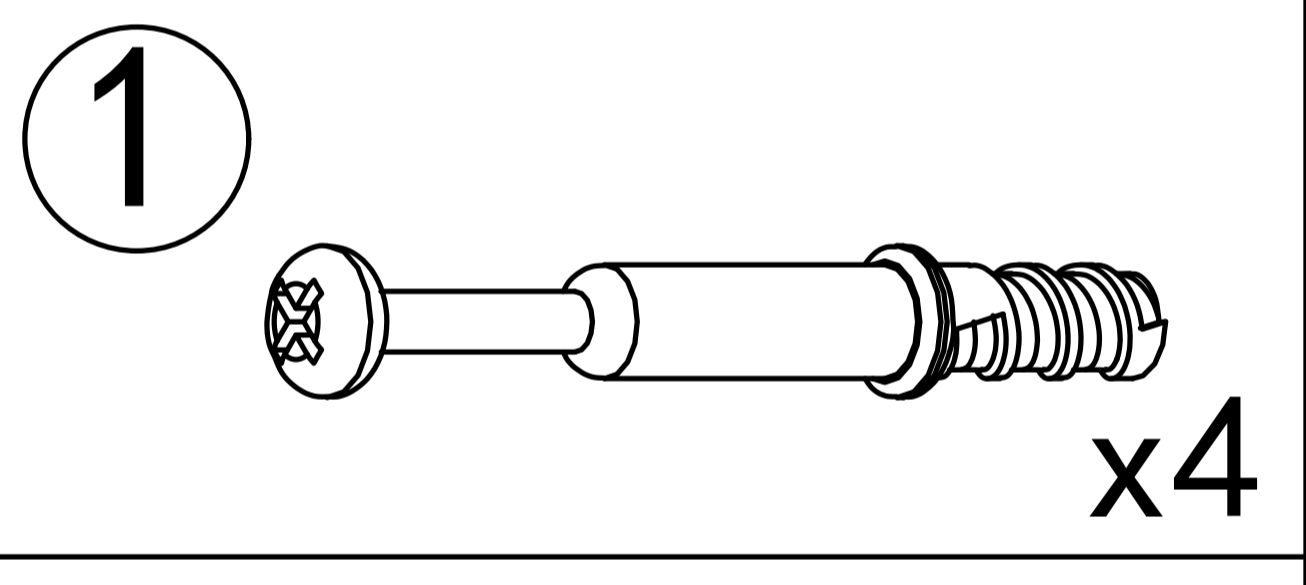


4

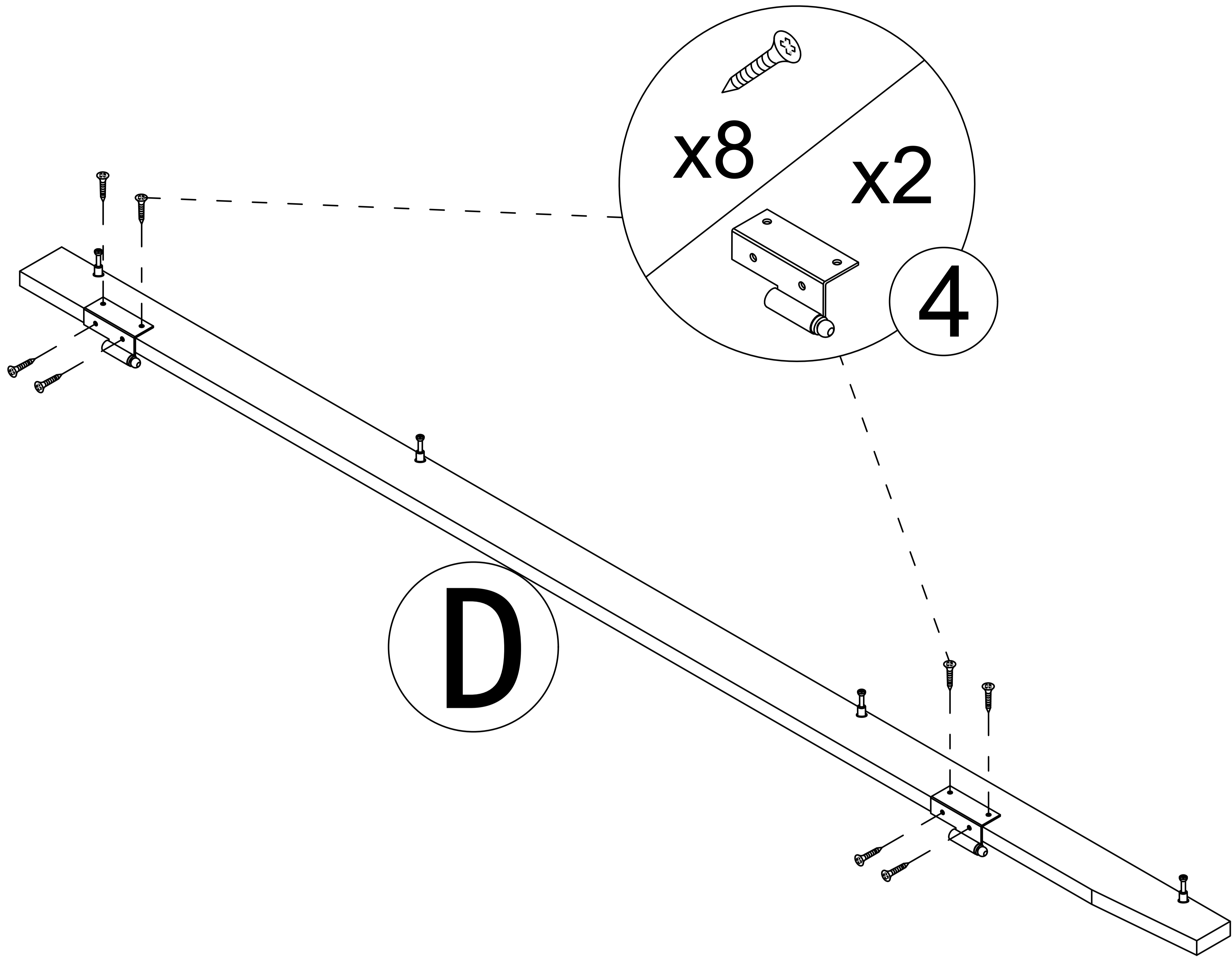
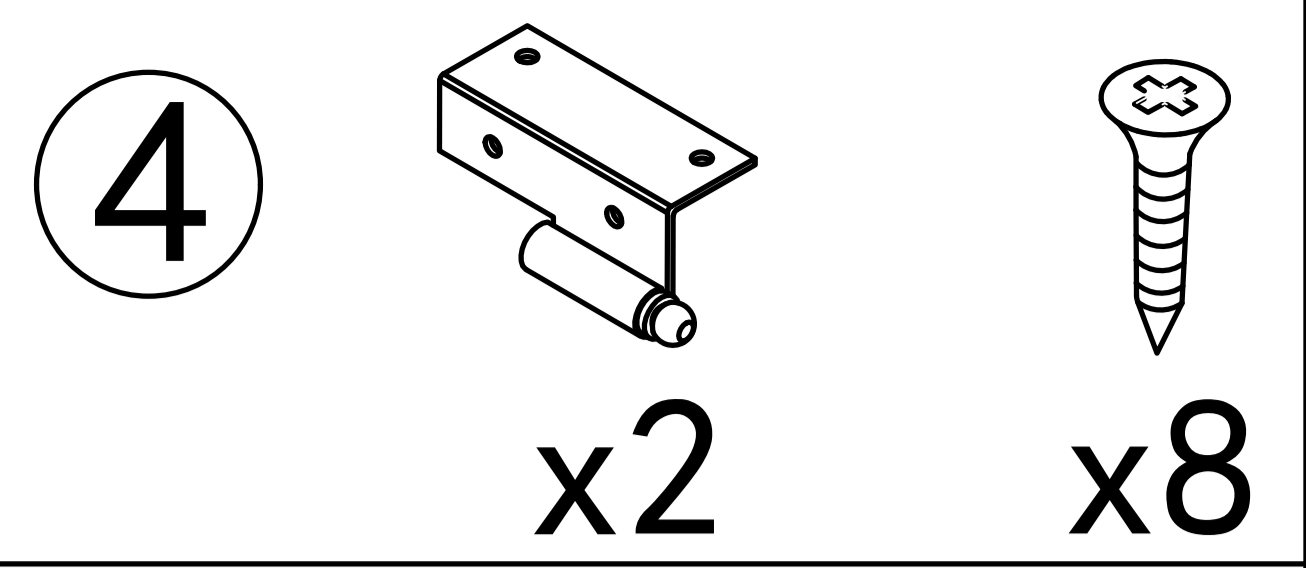
Step 2



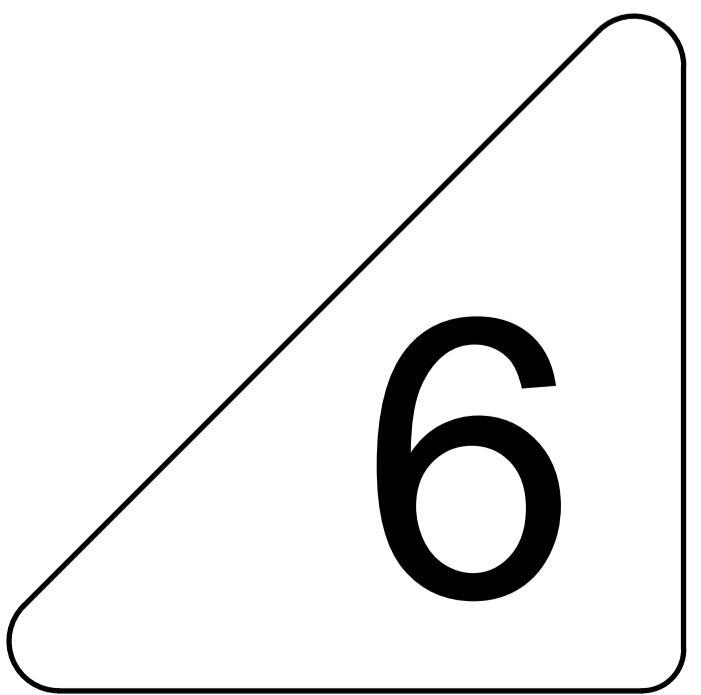
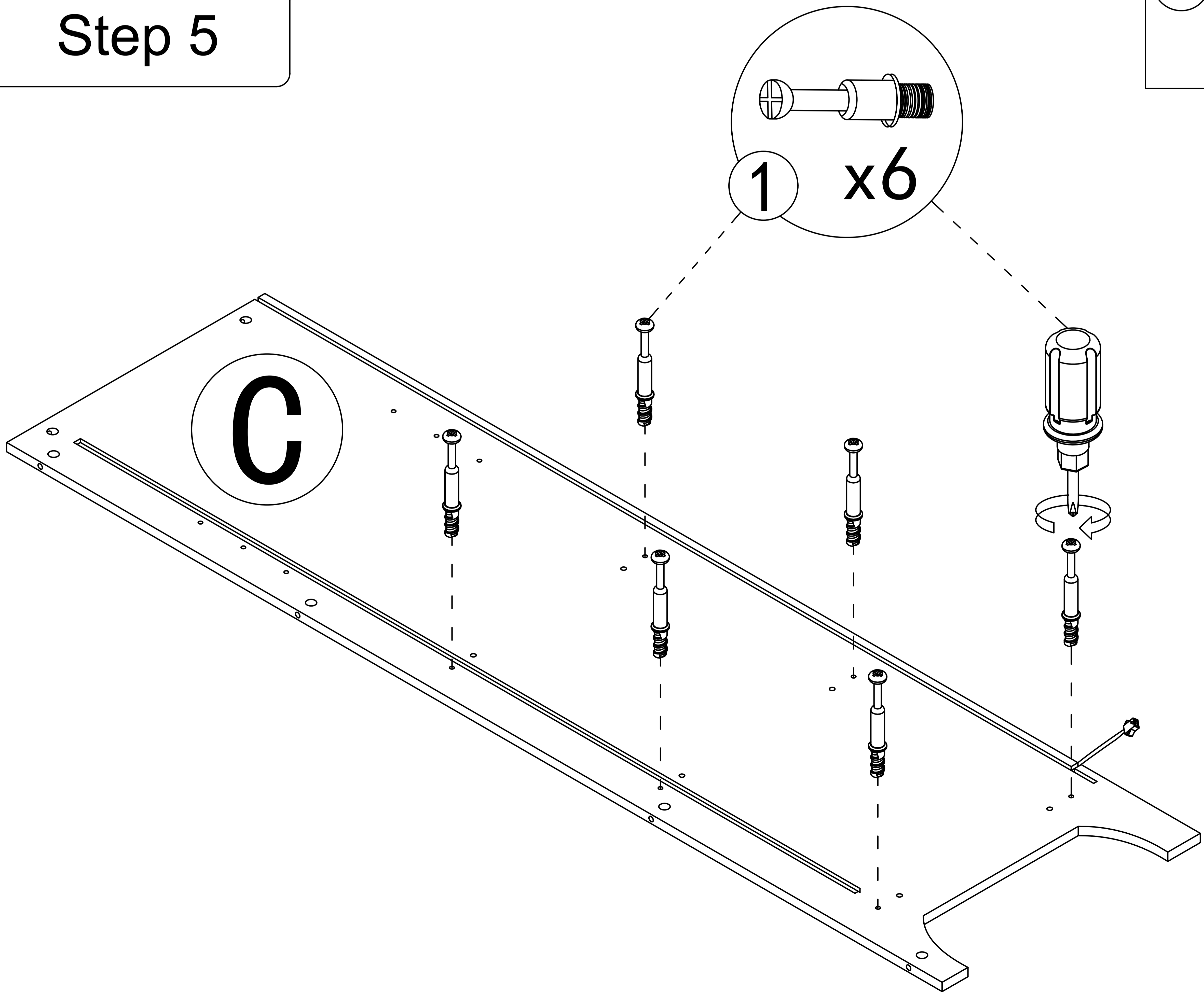
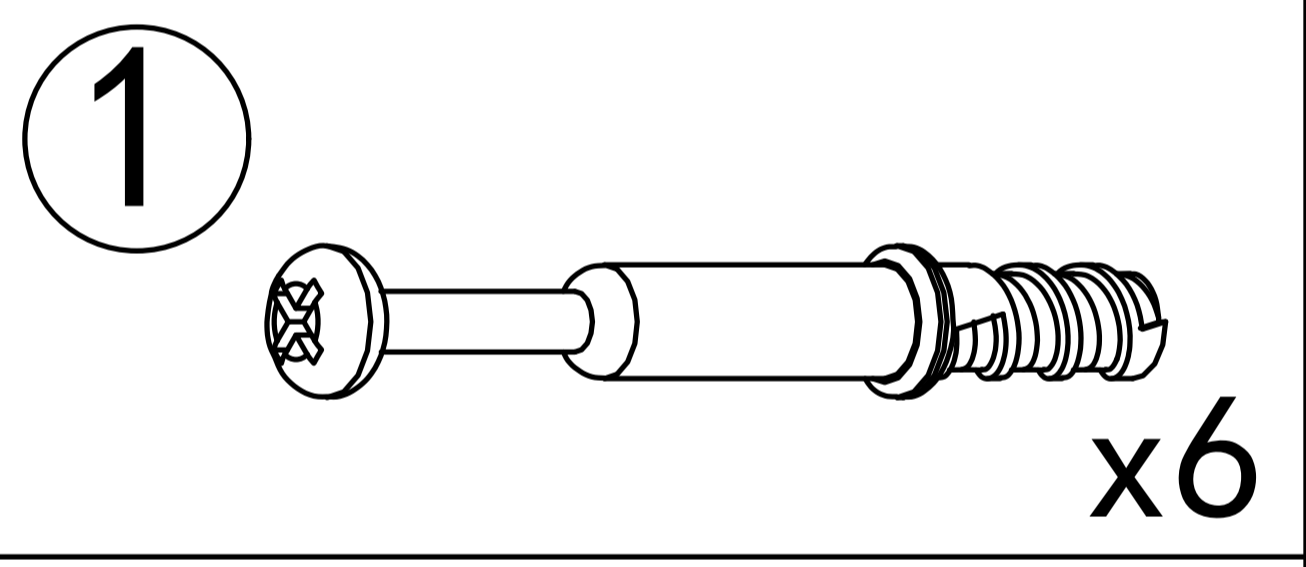
Step 3



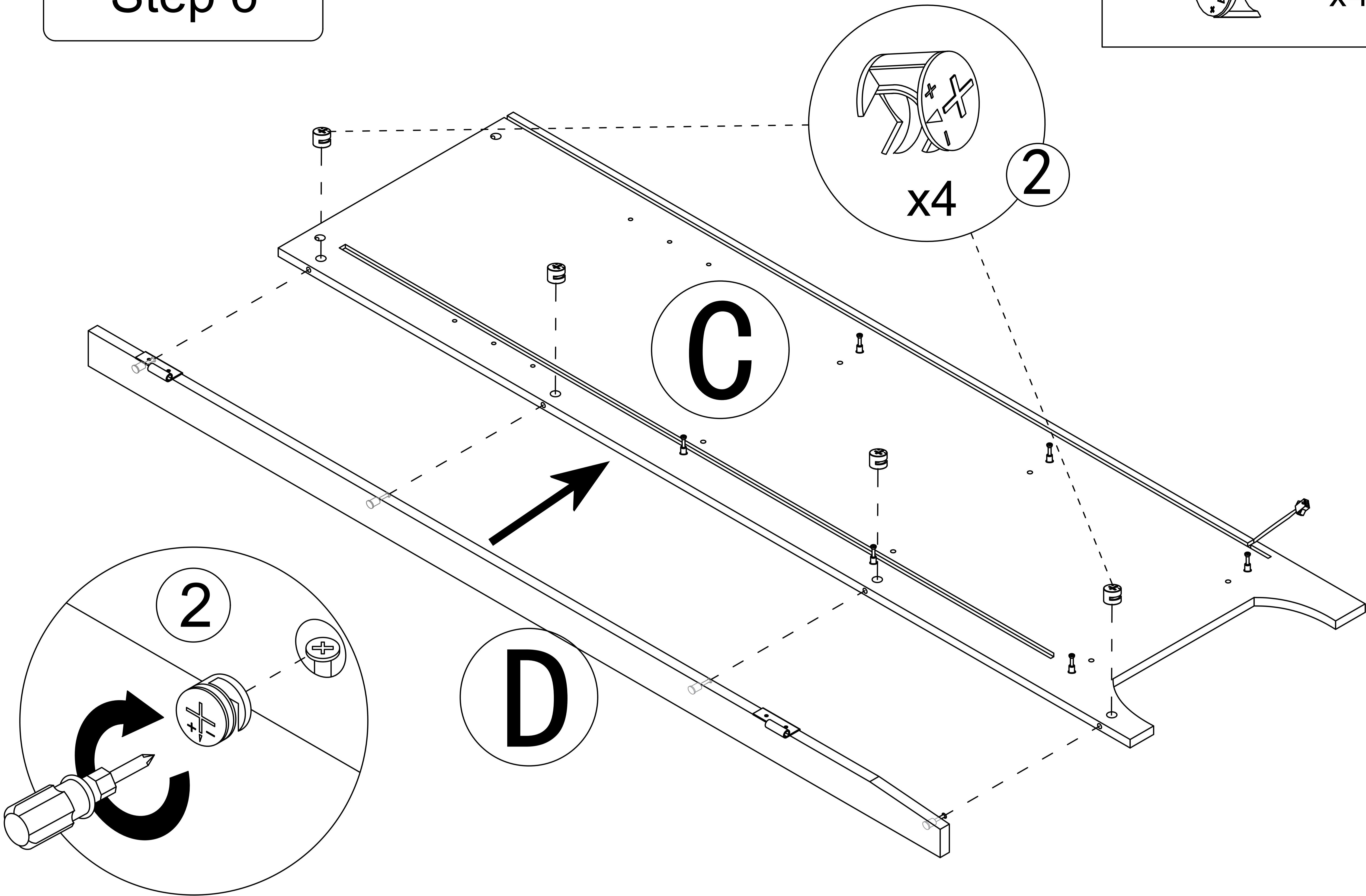
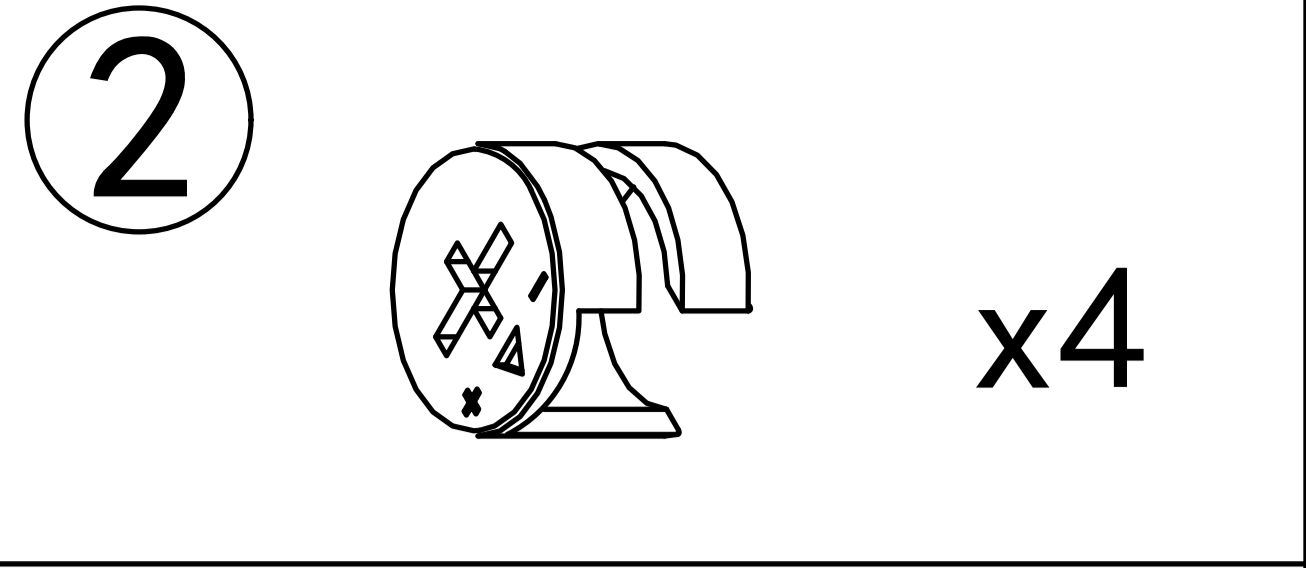
Step 4



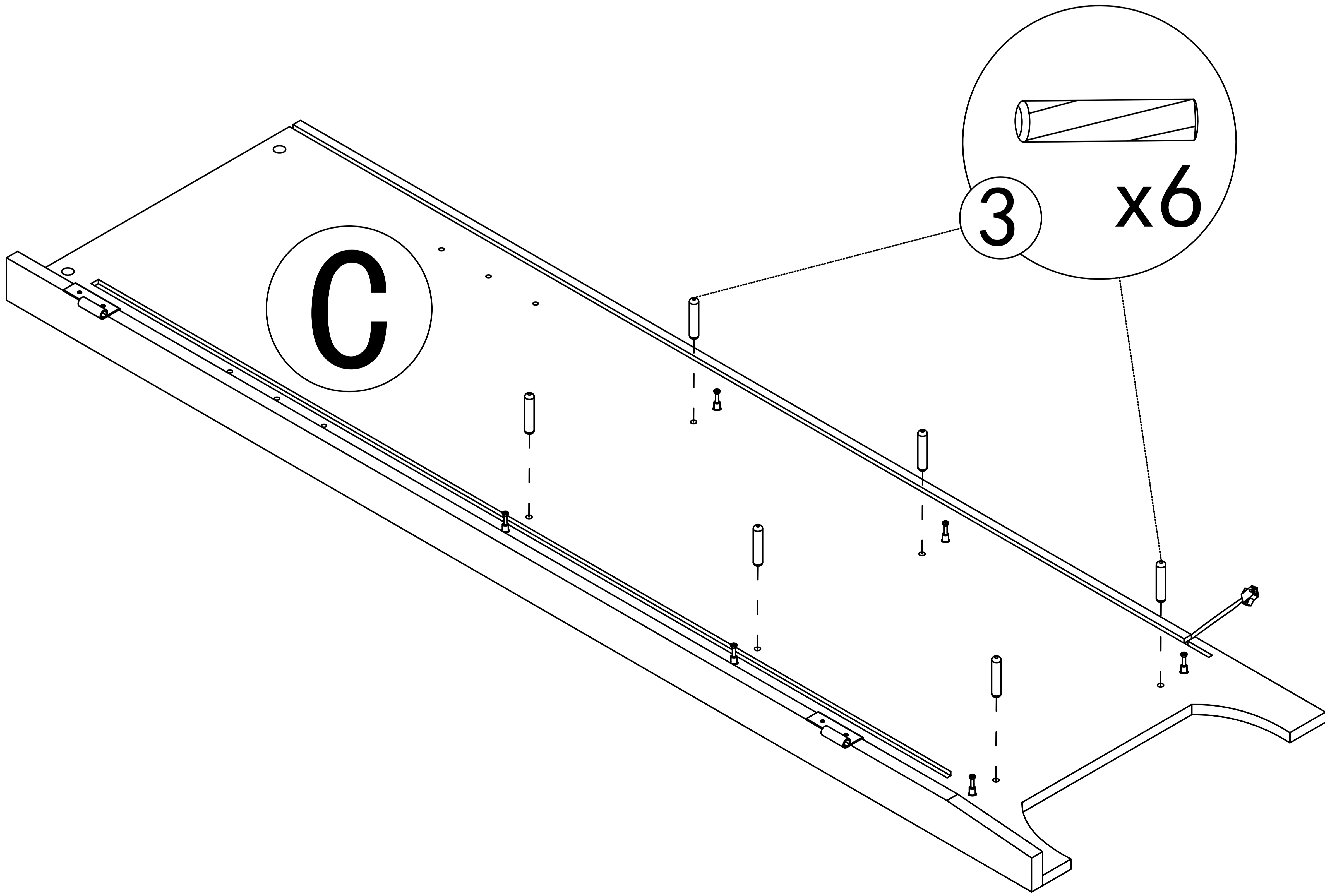
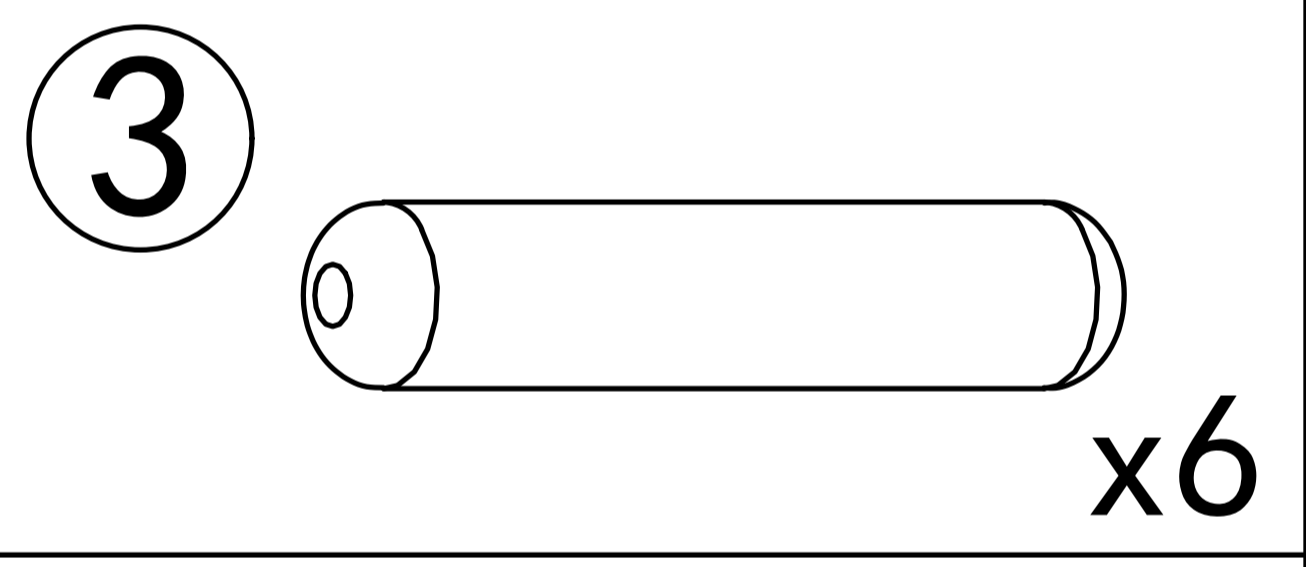
Step 5



Step 6

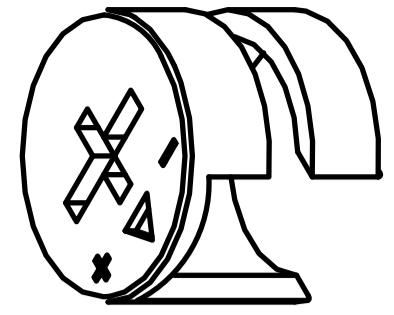


Step 7

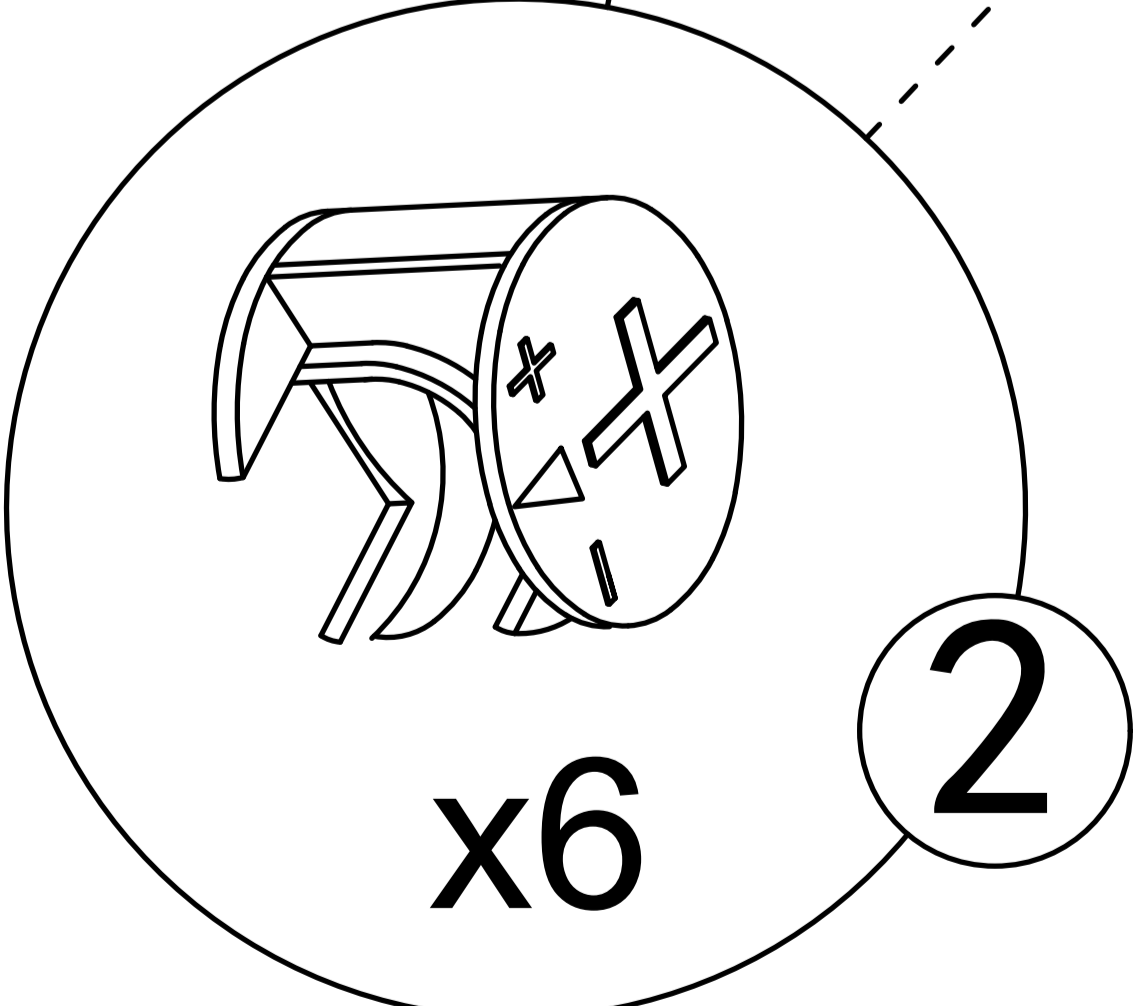
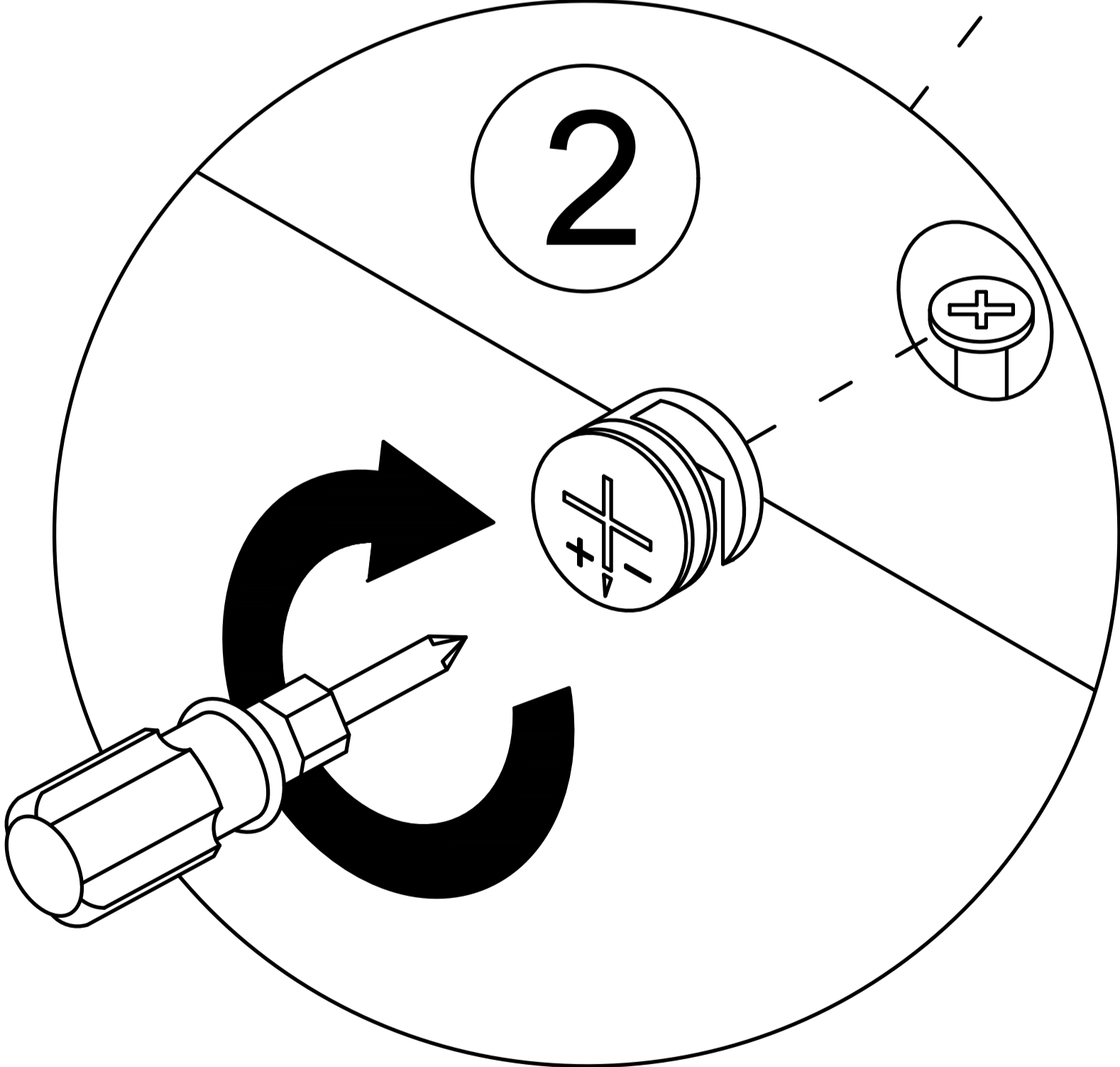
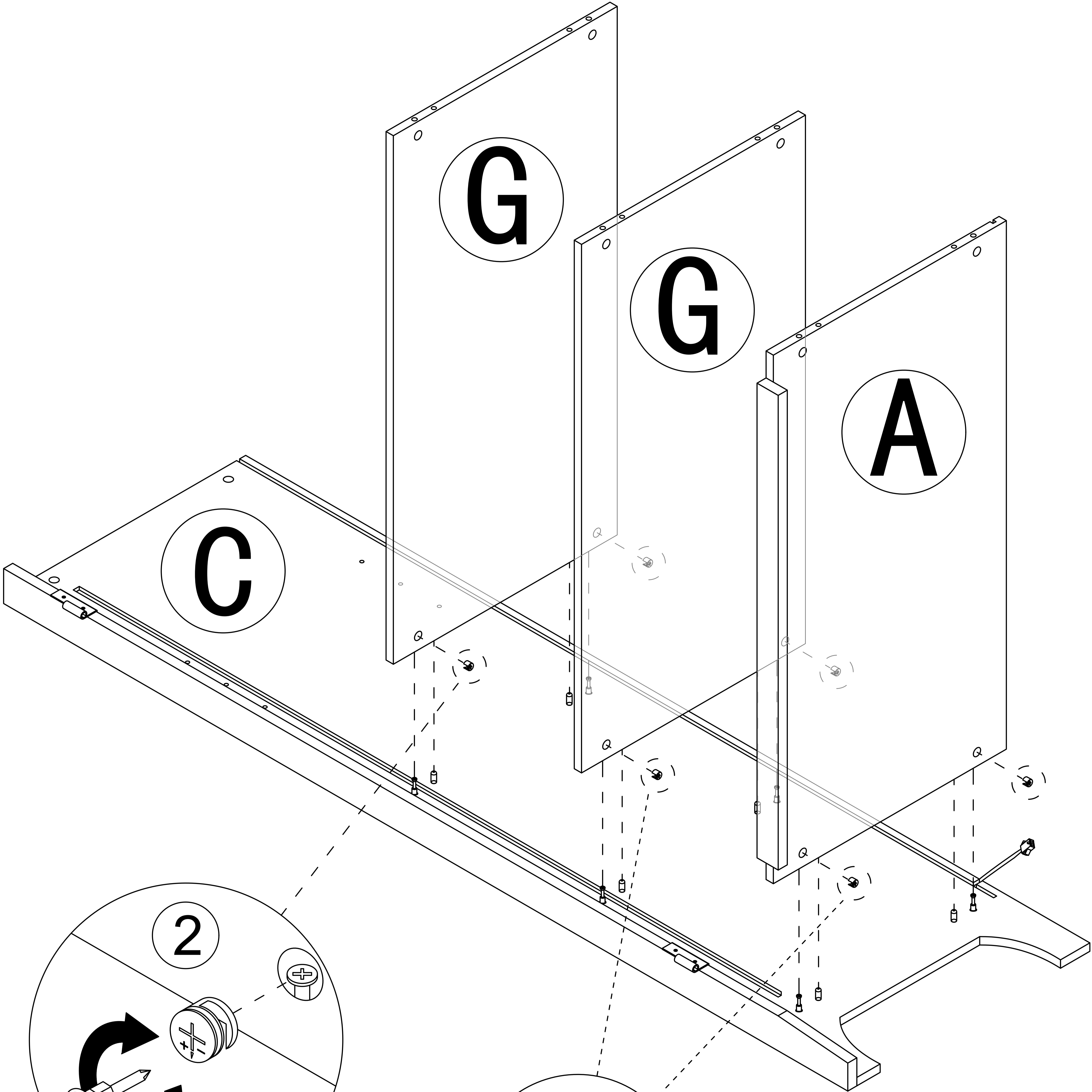


Step 8

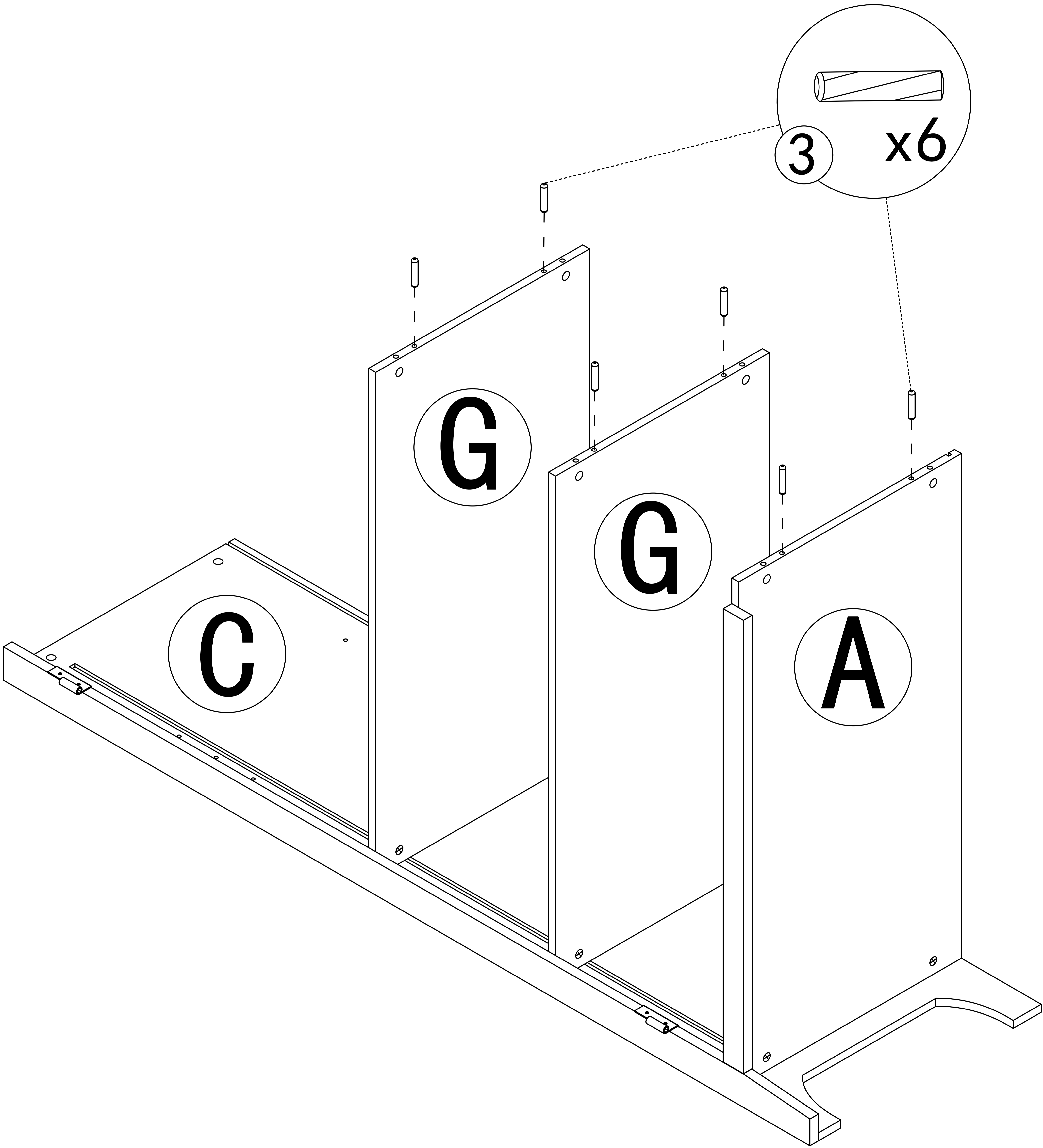
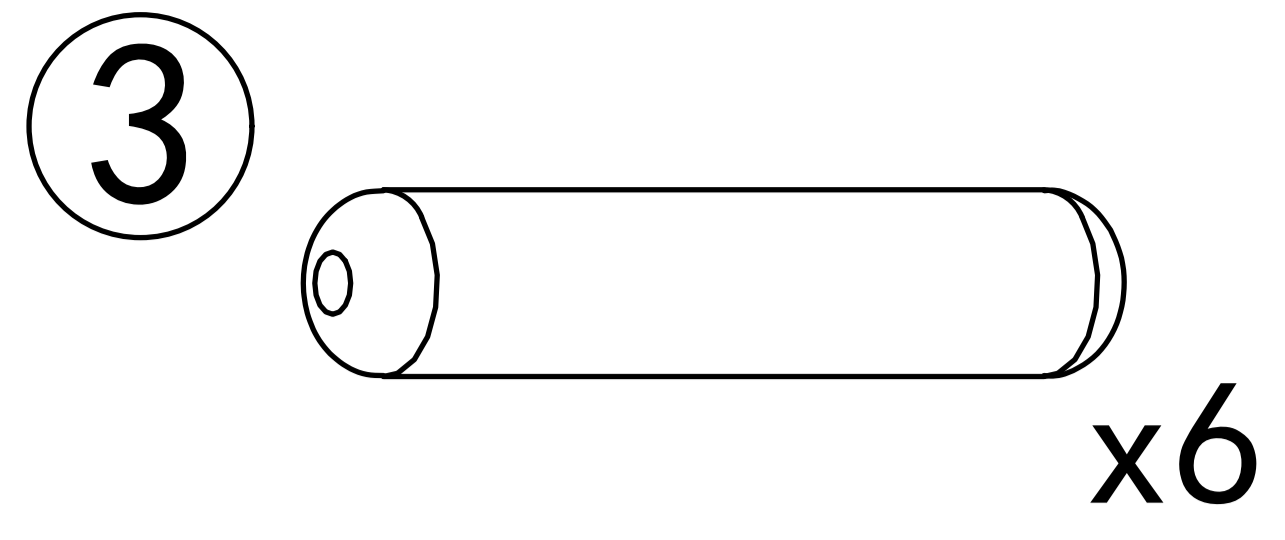
2



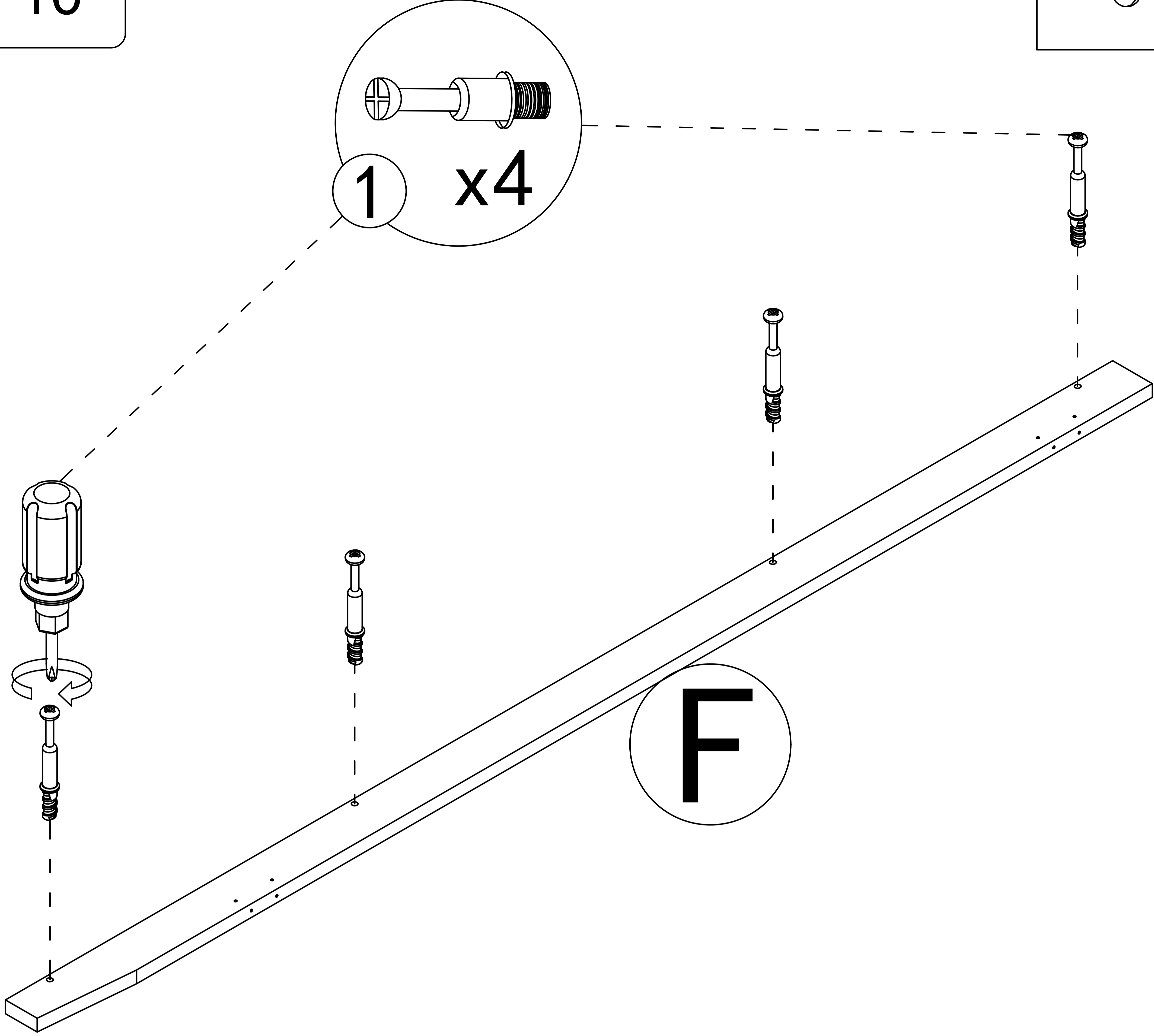
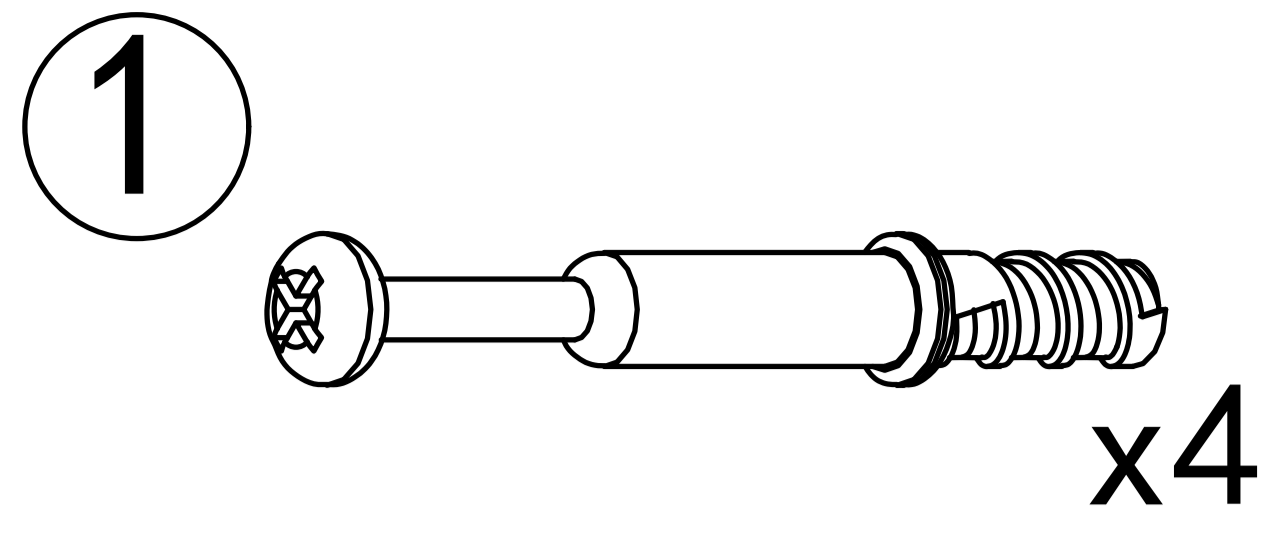
x6



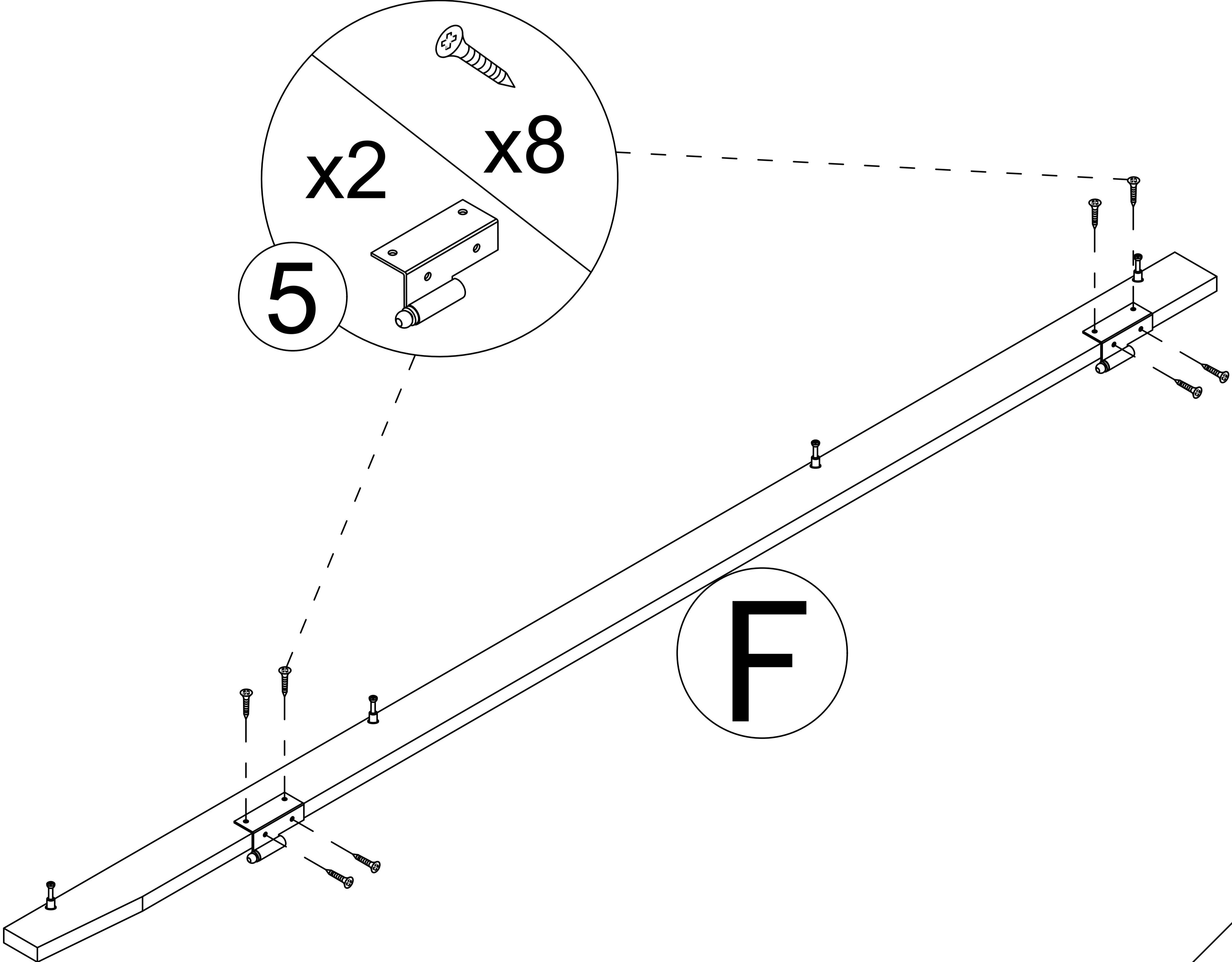
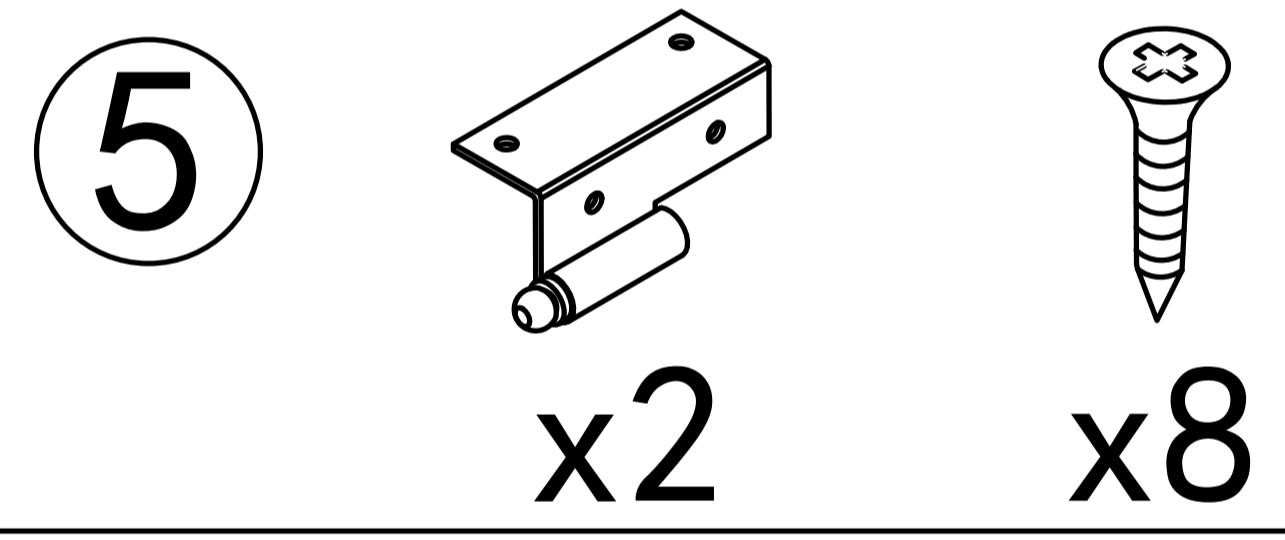
Step 9



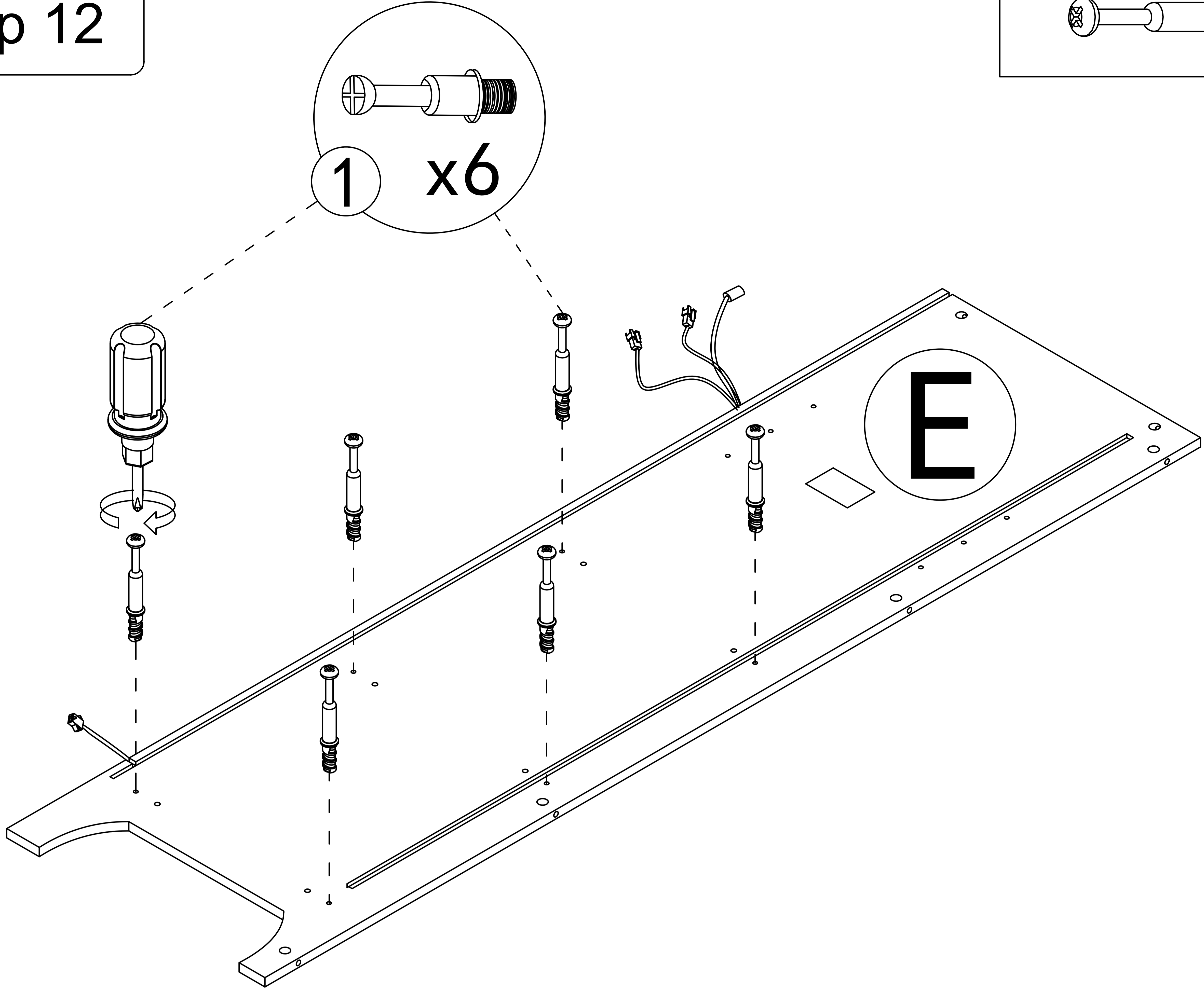
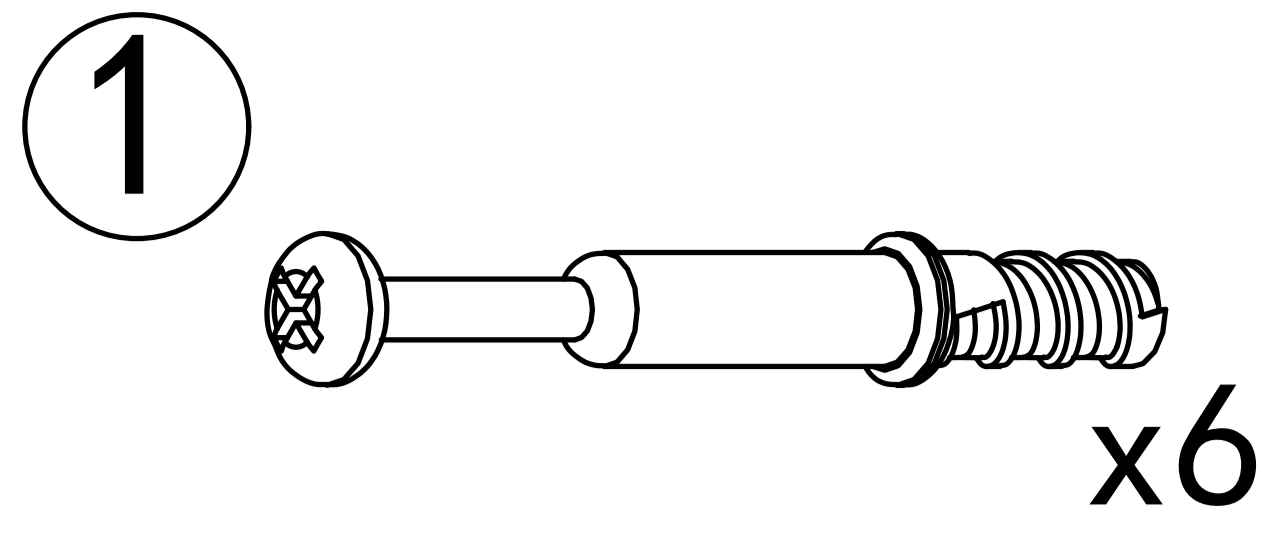
Step 10



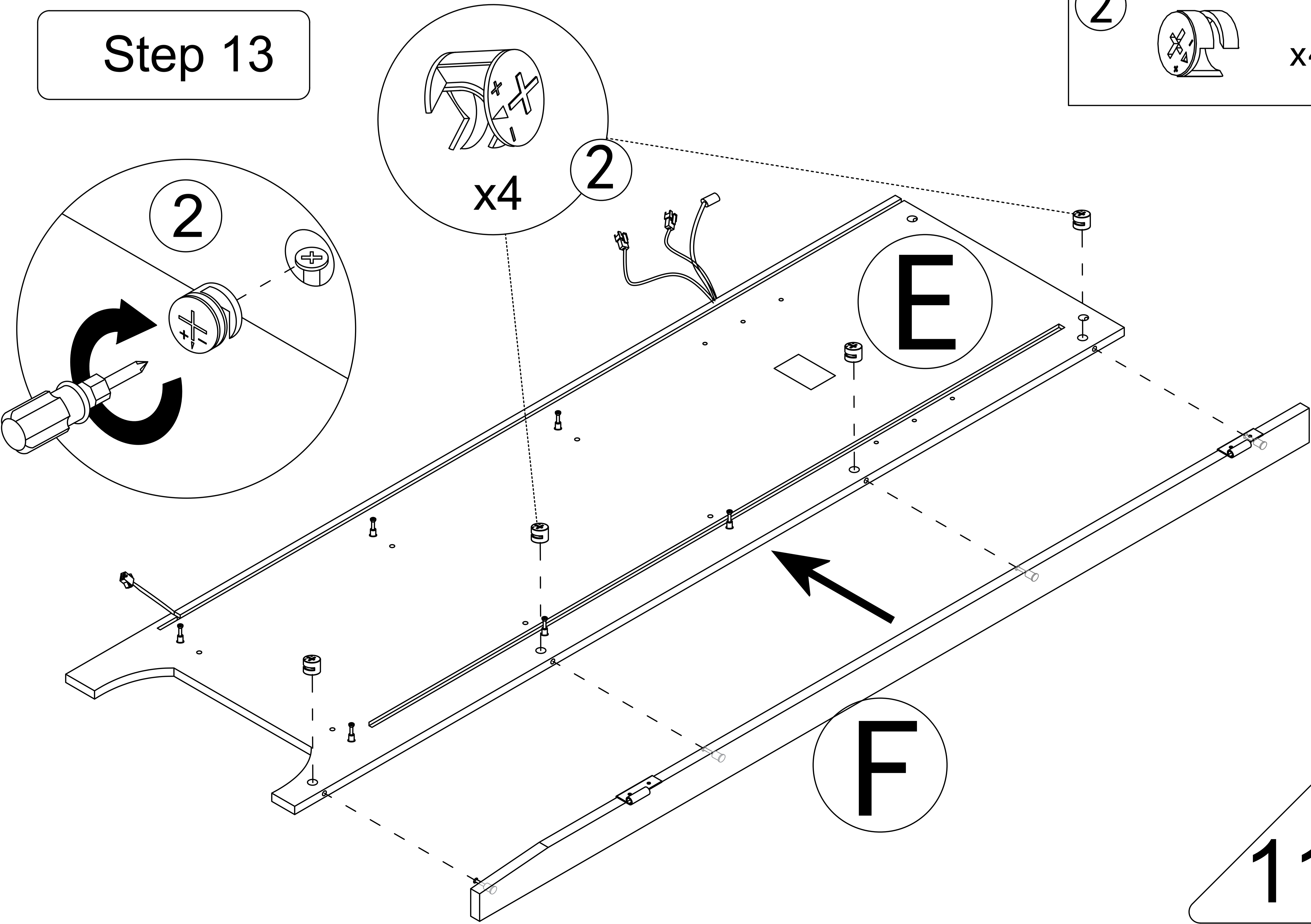
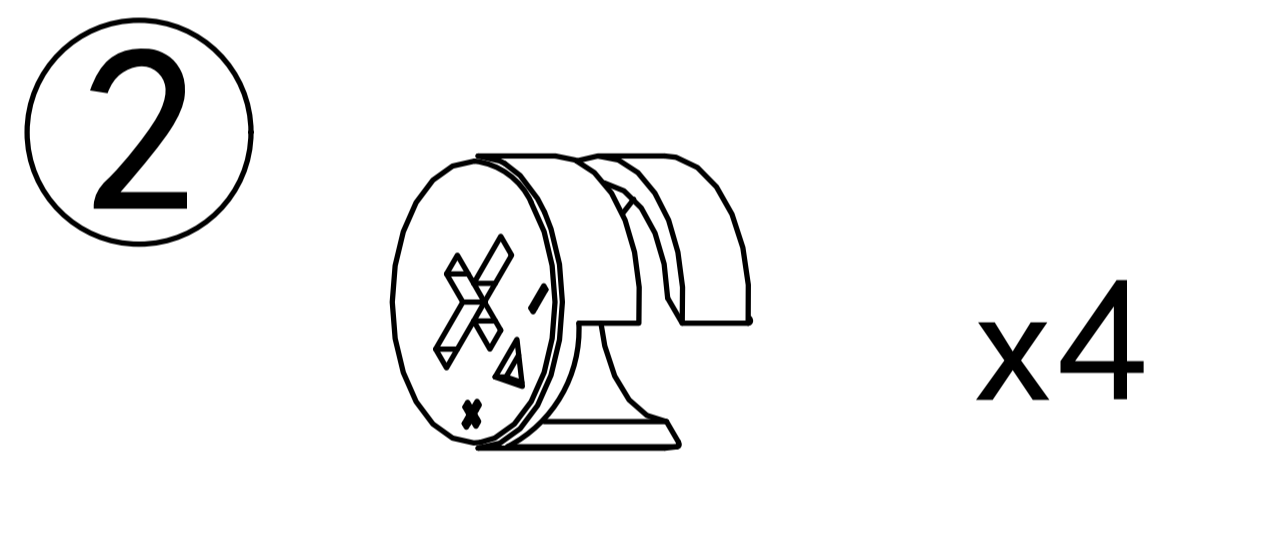
Step 11



Step 12

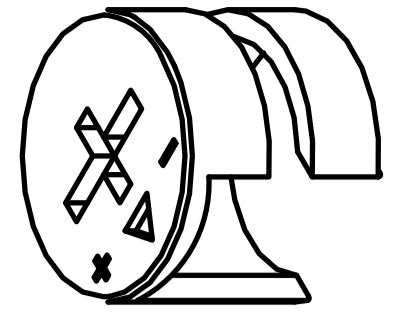


Step 13

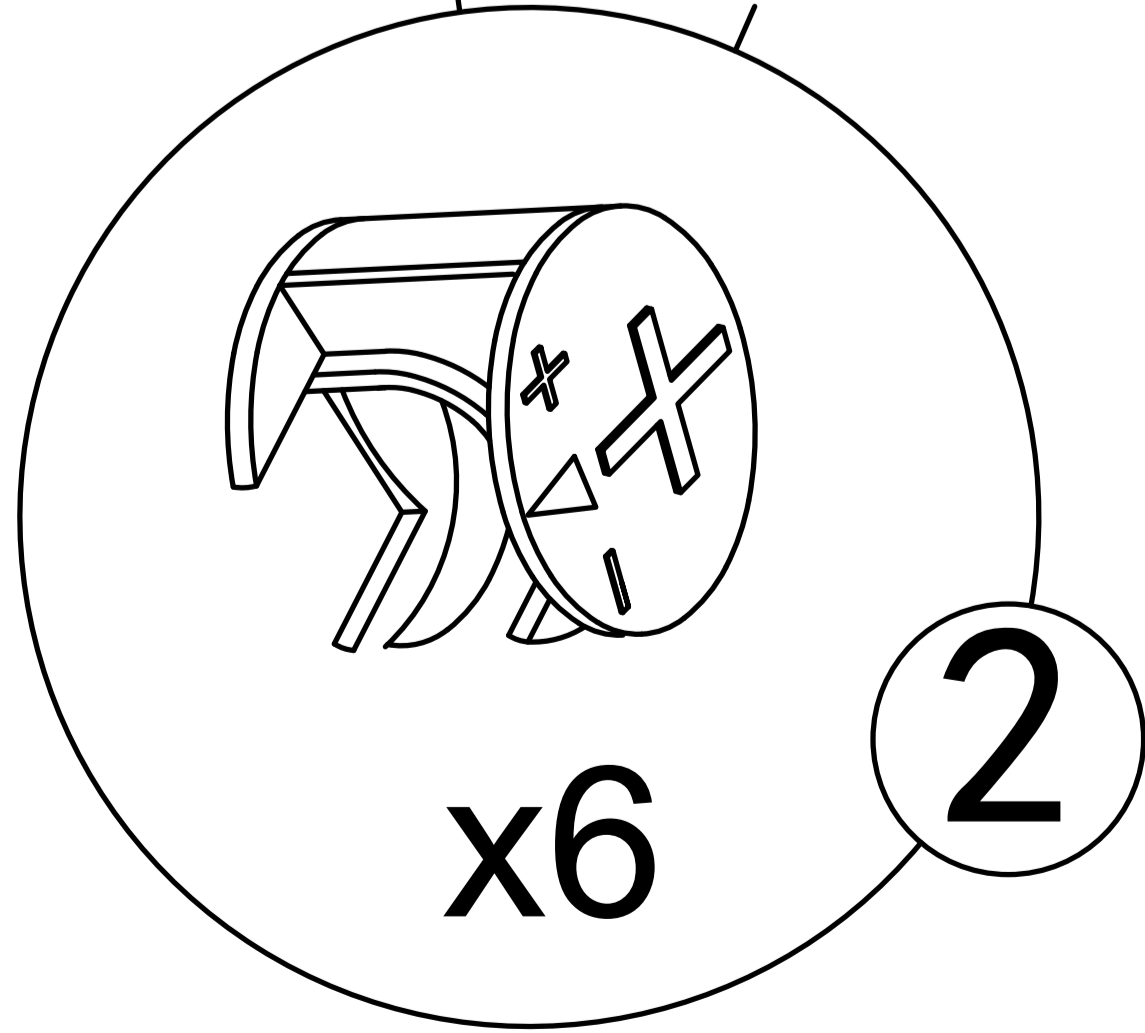
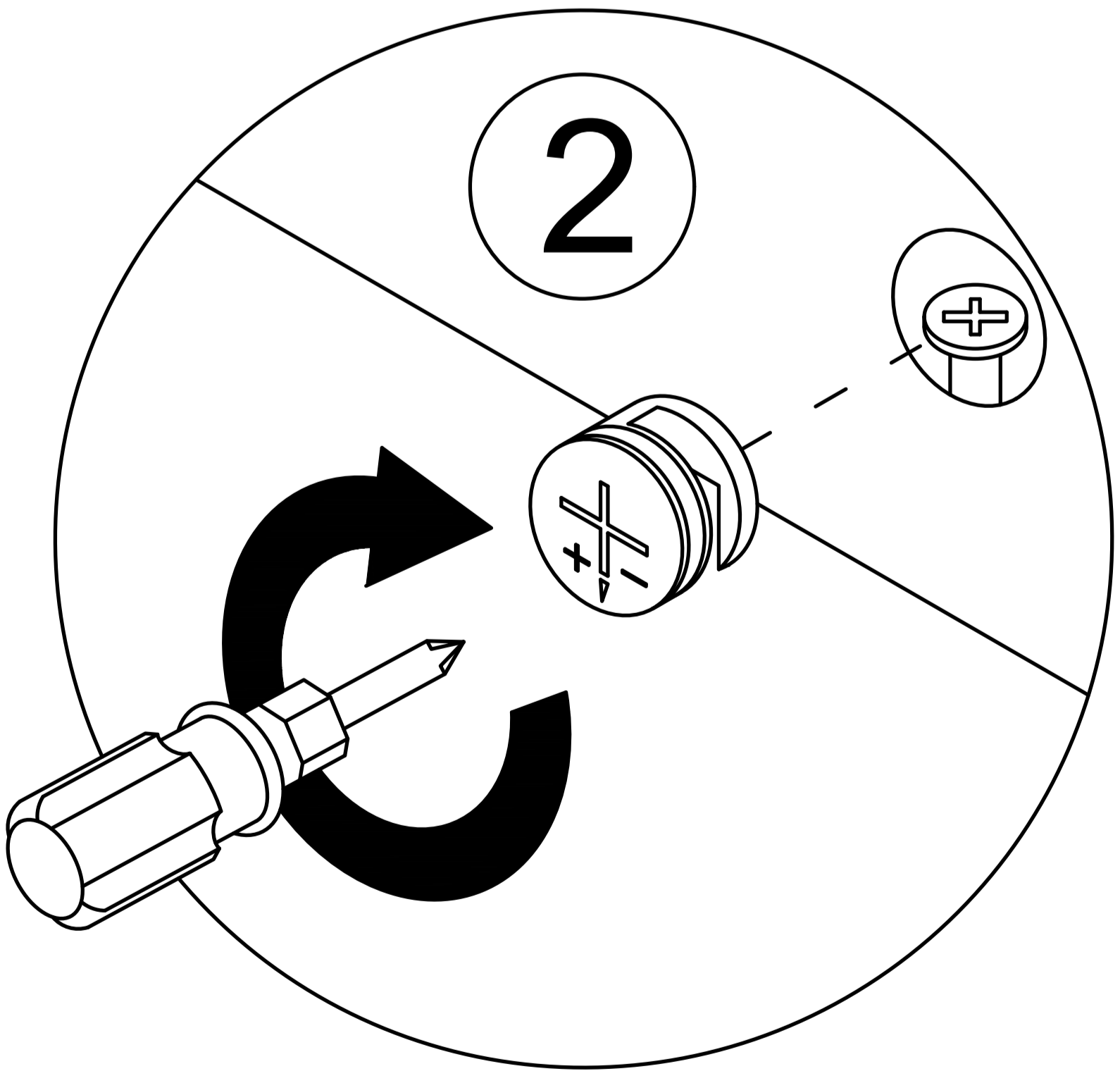
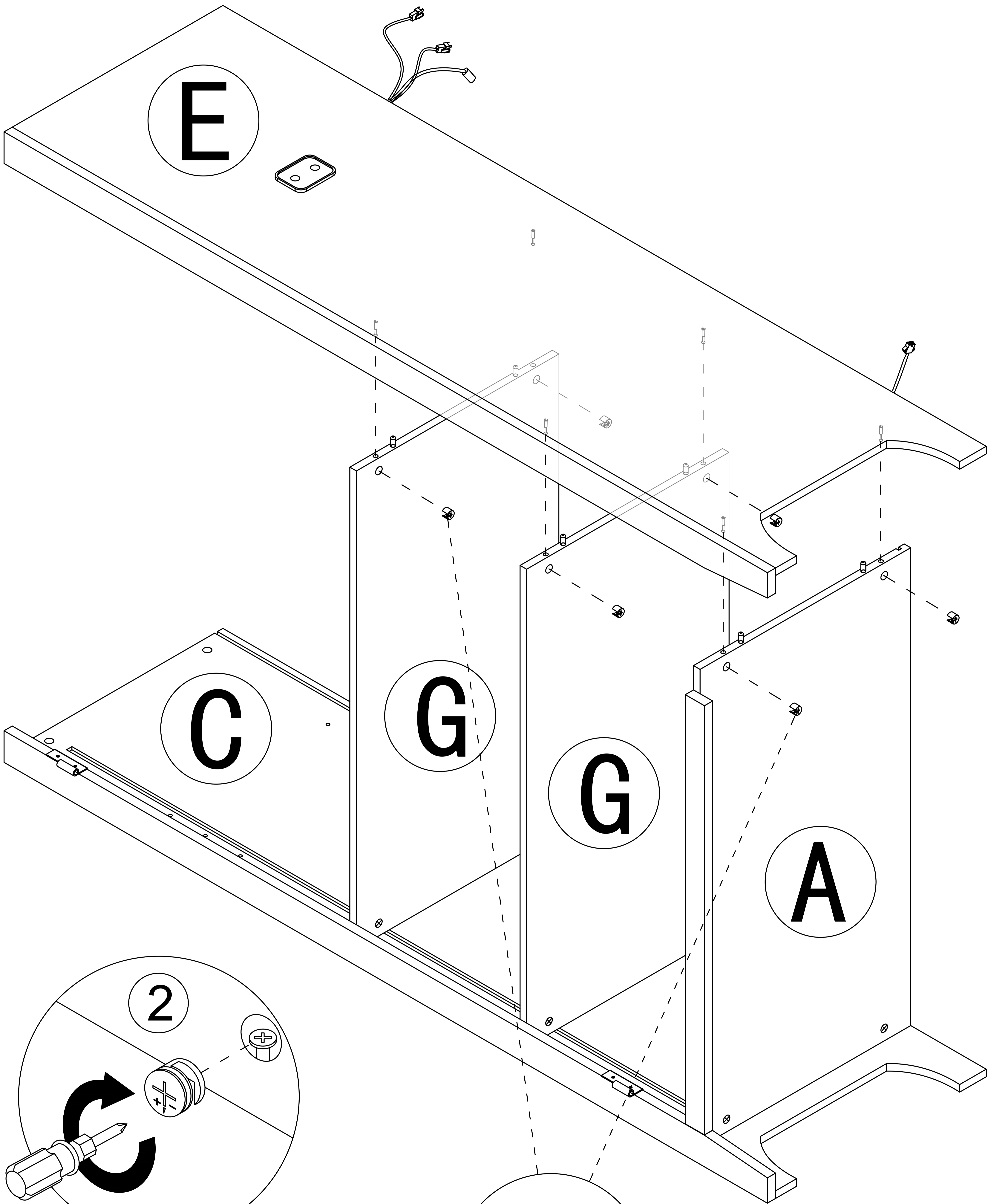


Step 14

2

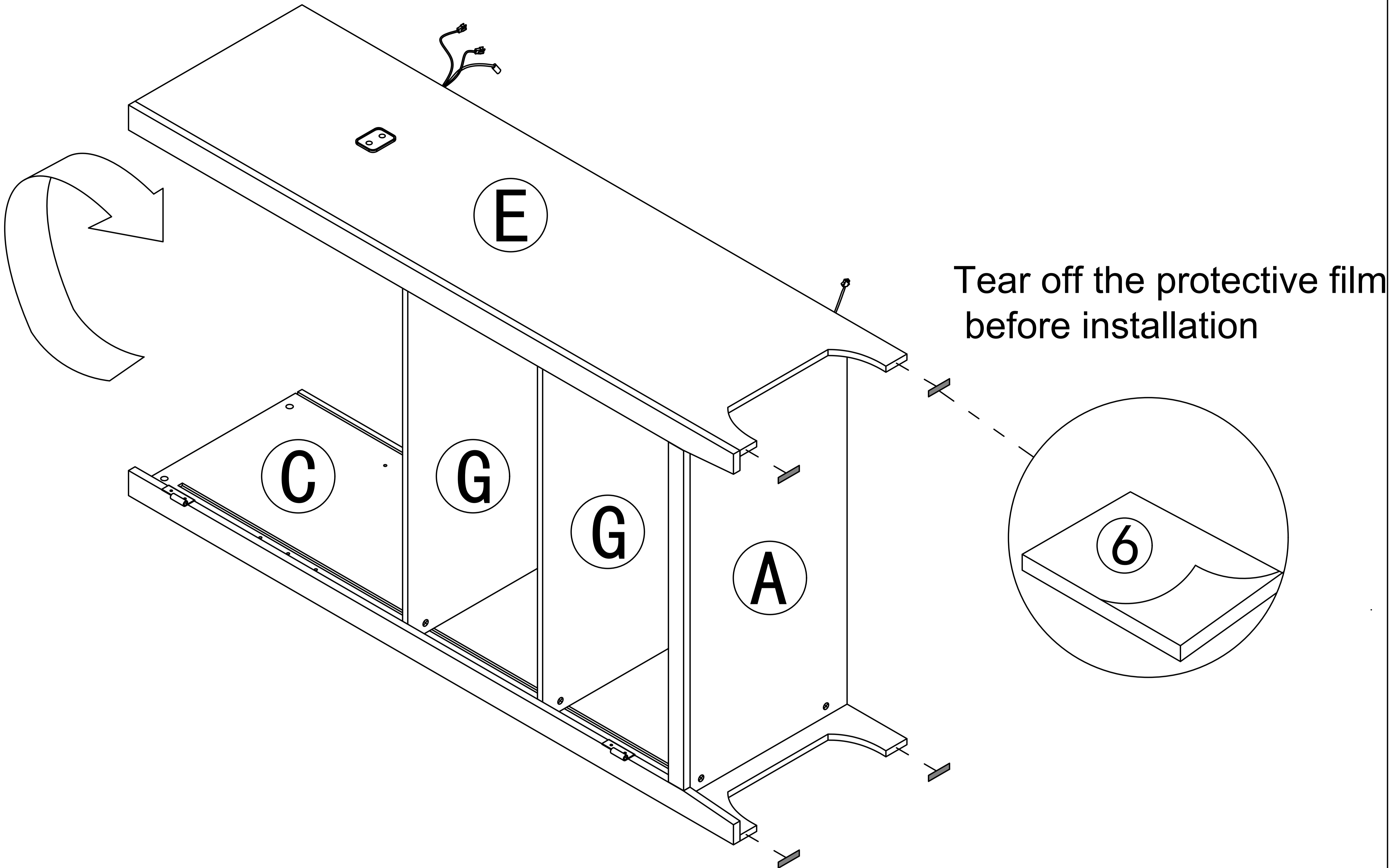


x6


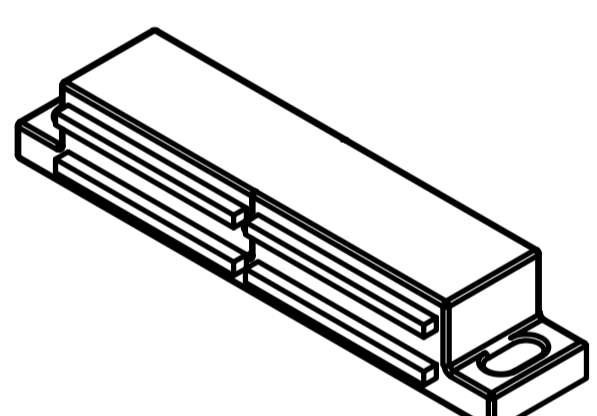
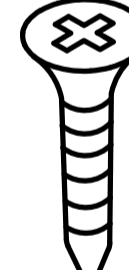


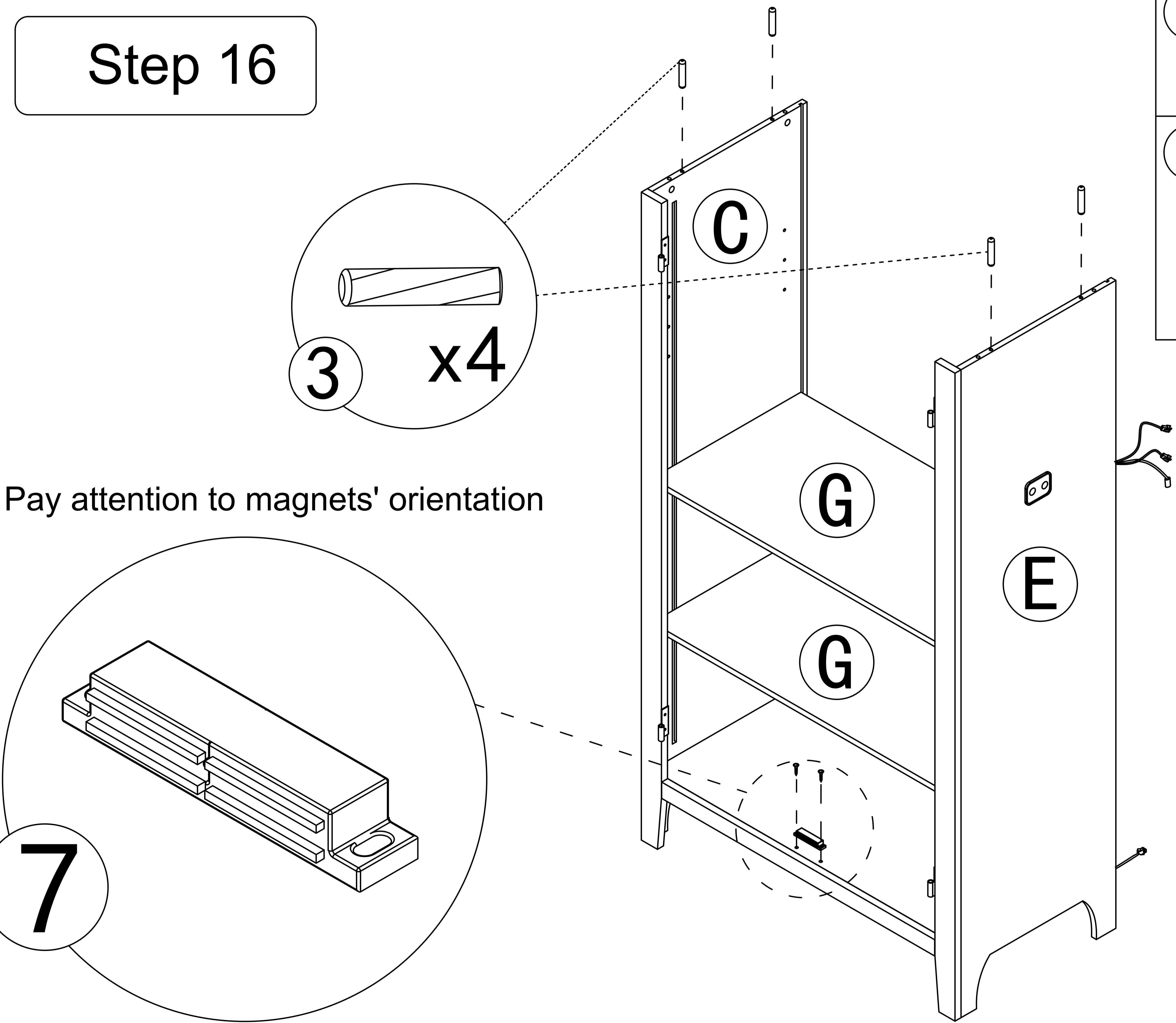
Step 15

- 6  x4



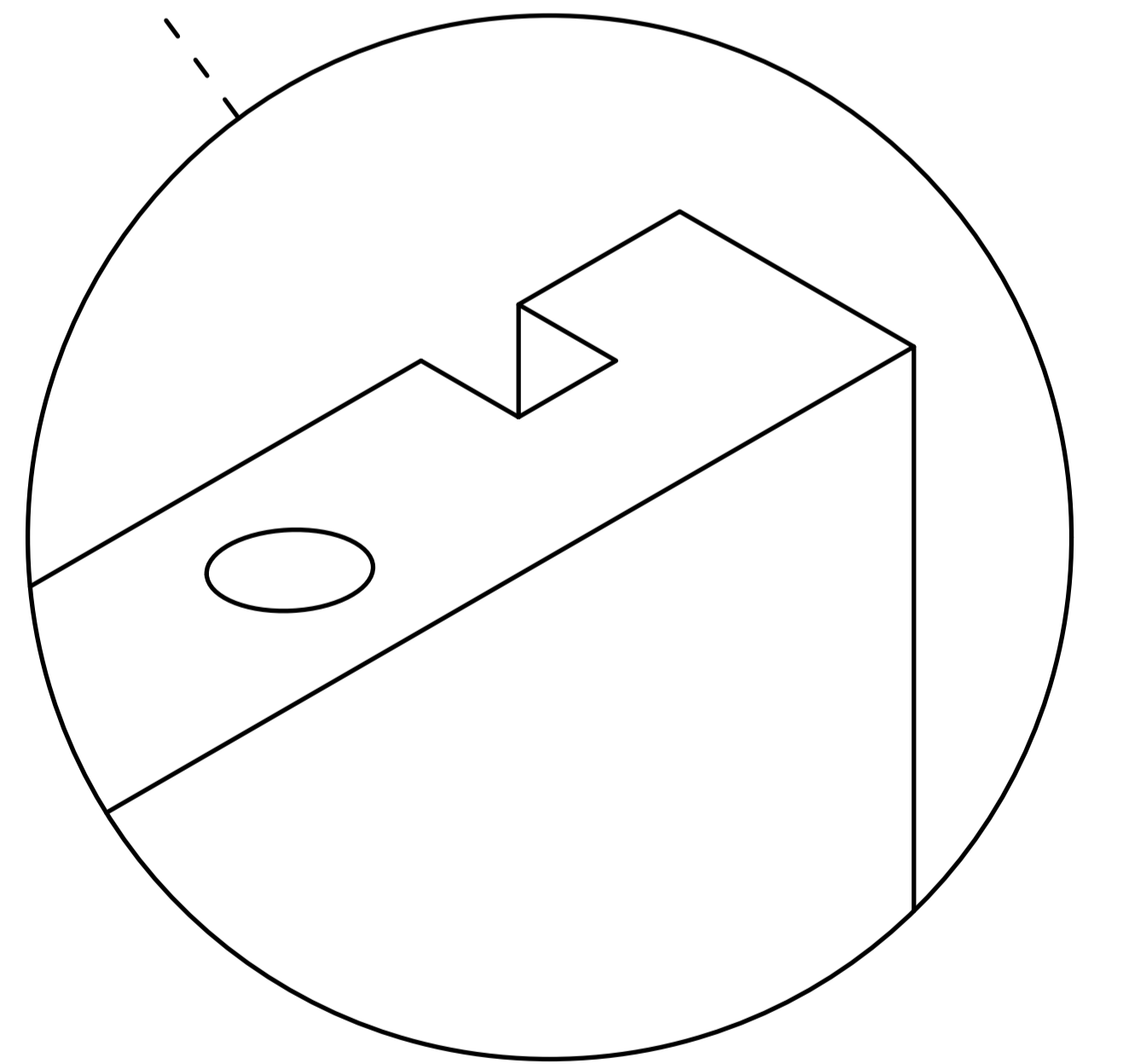
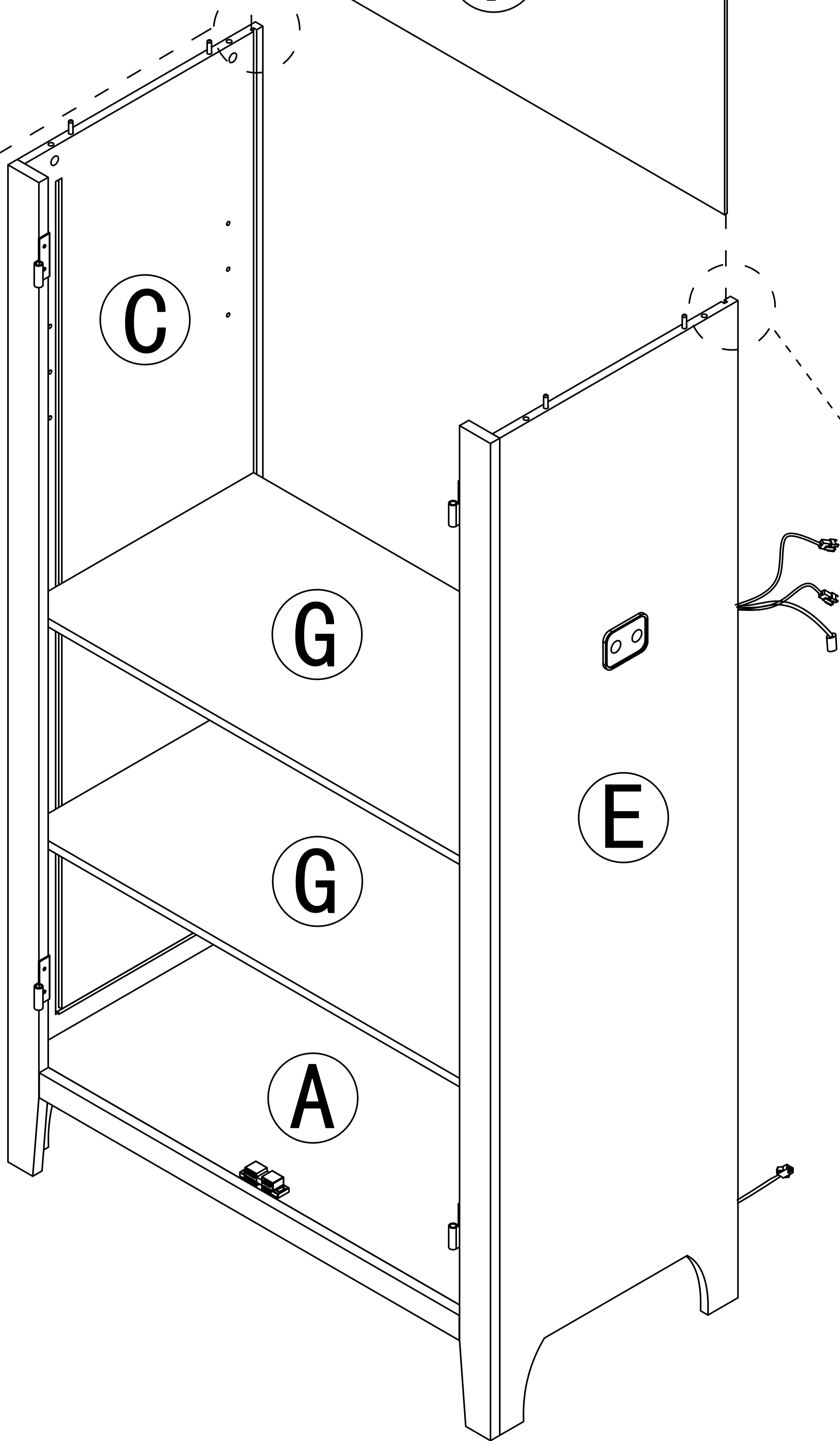
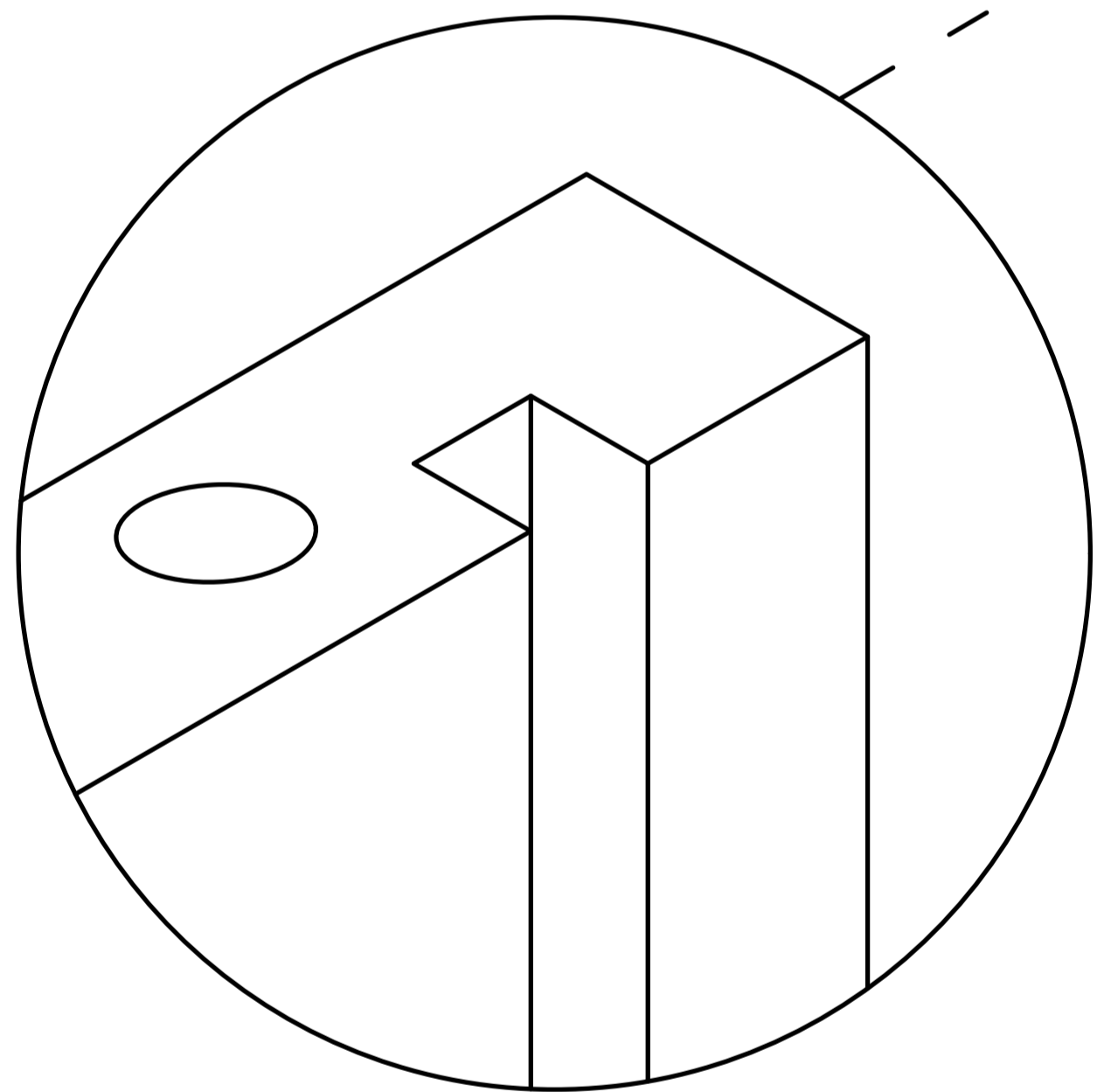
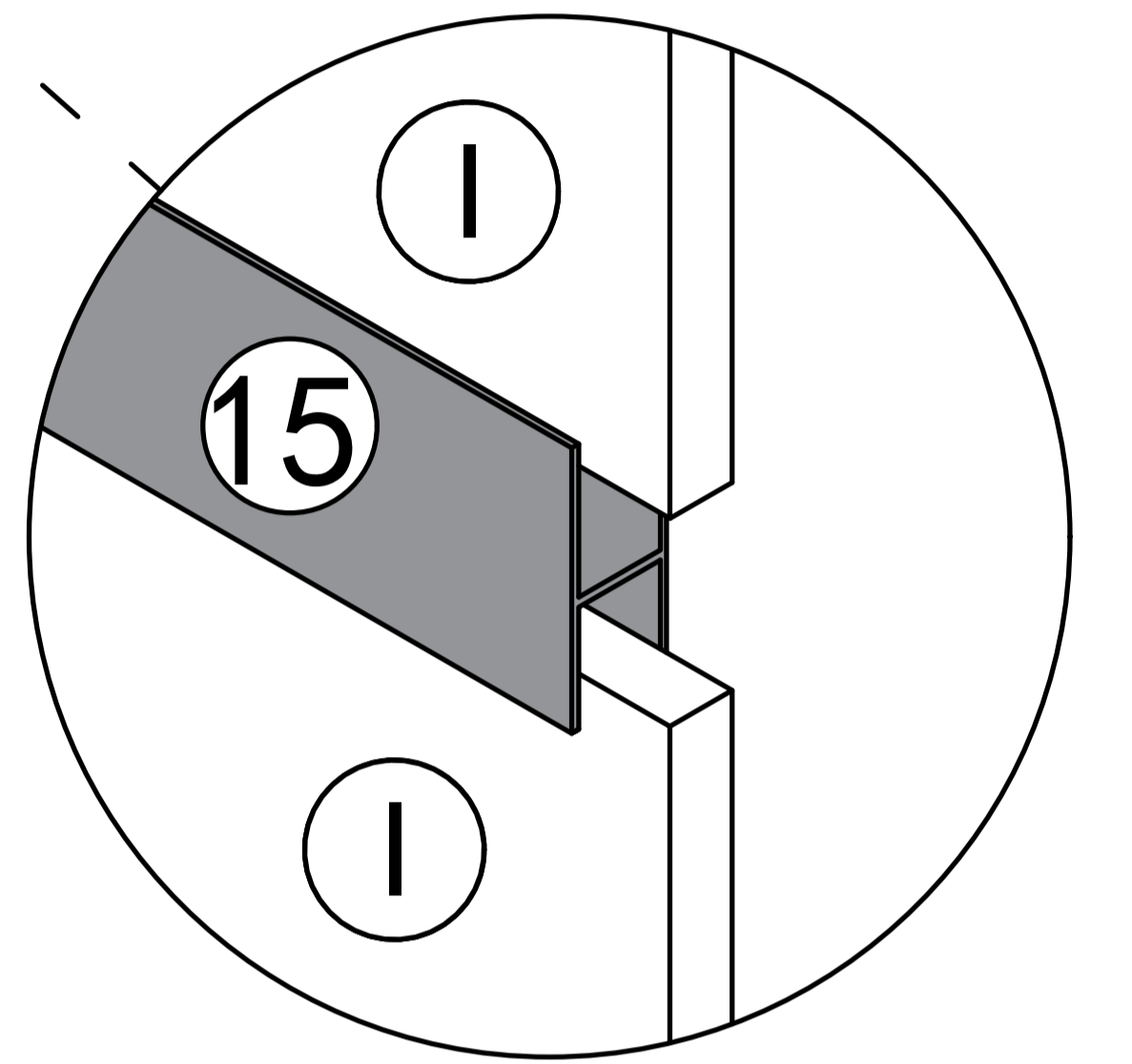
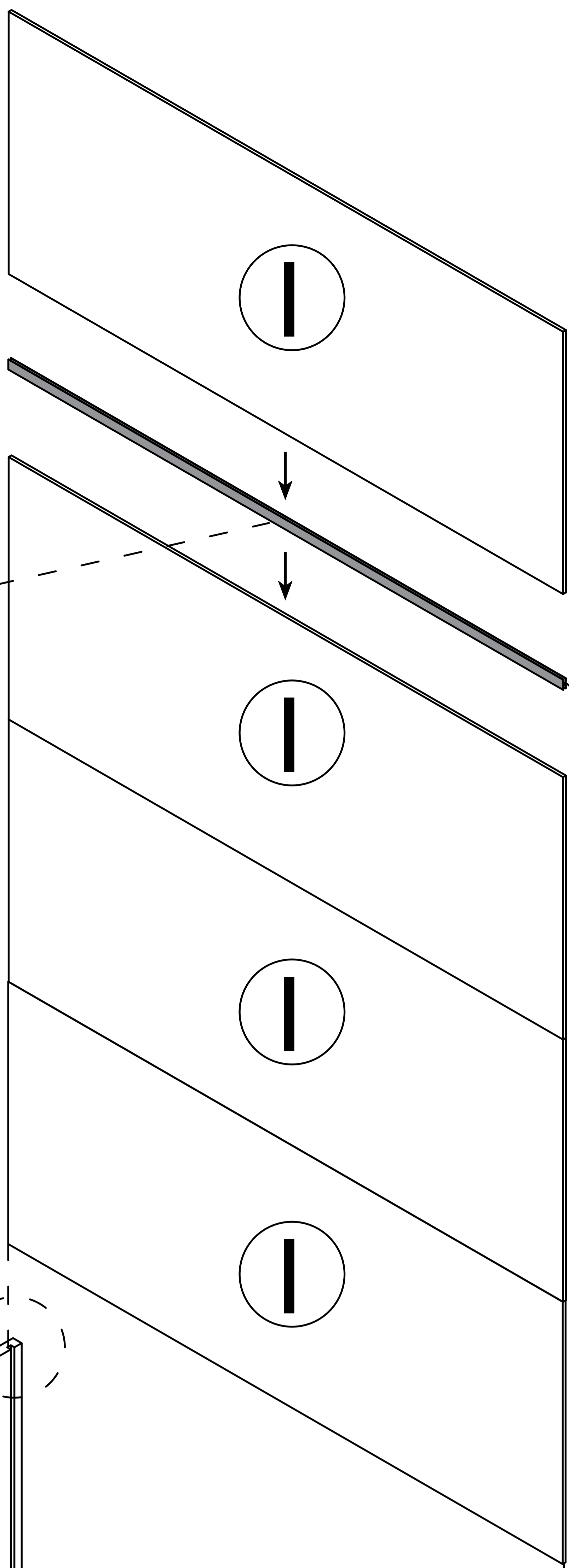
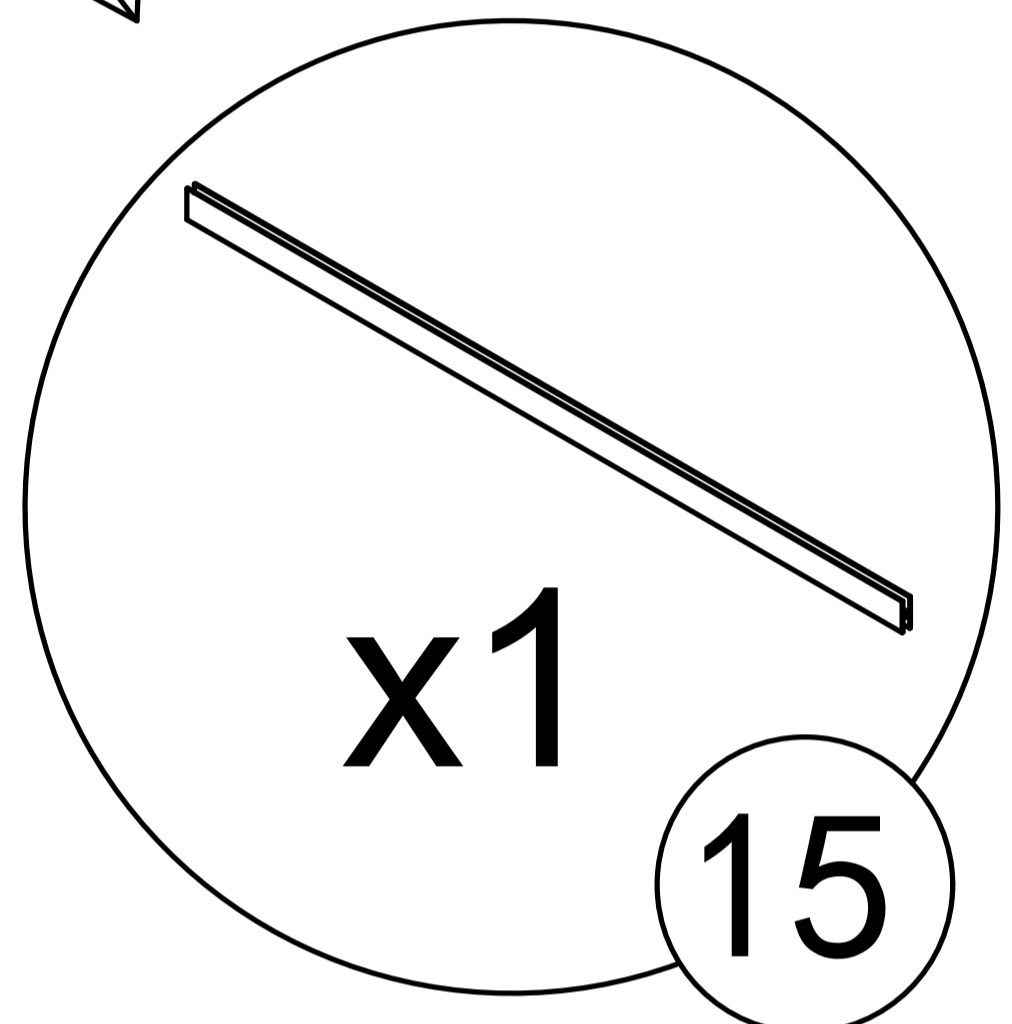
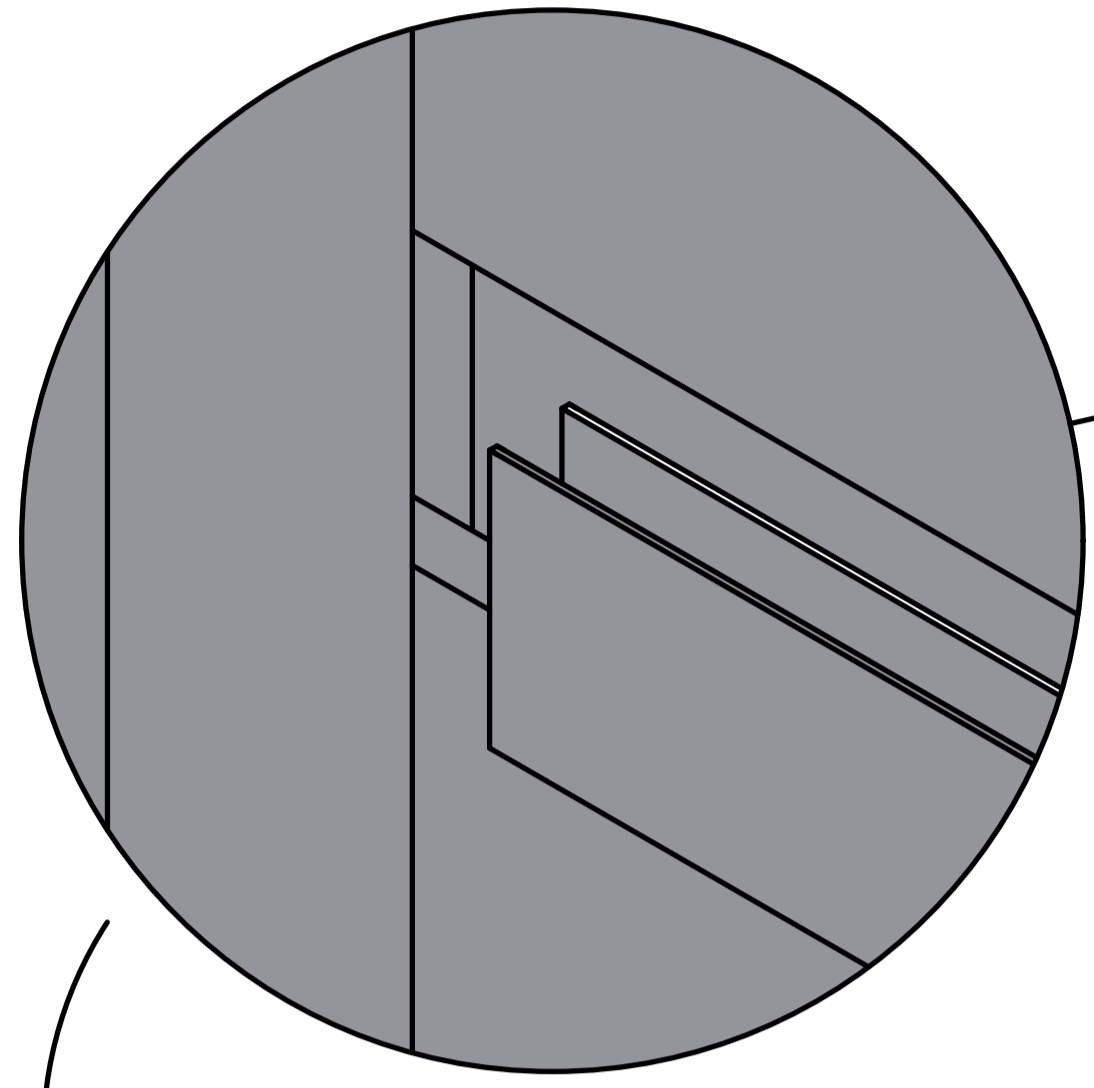
Step 16

- 3  x4
- 7  x1
-  x2

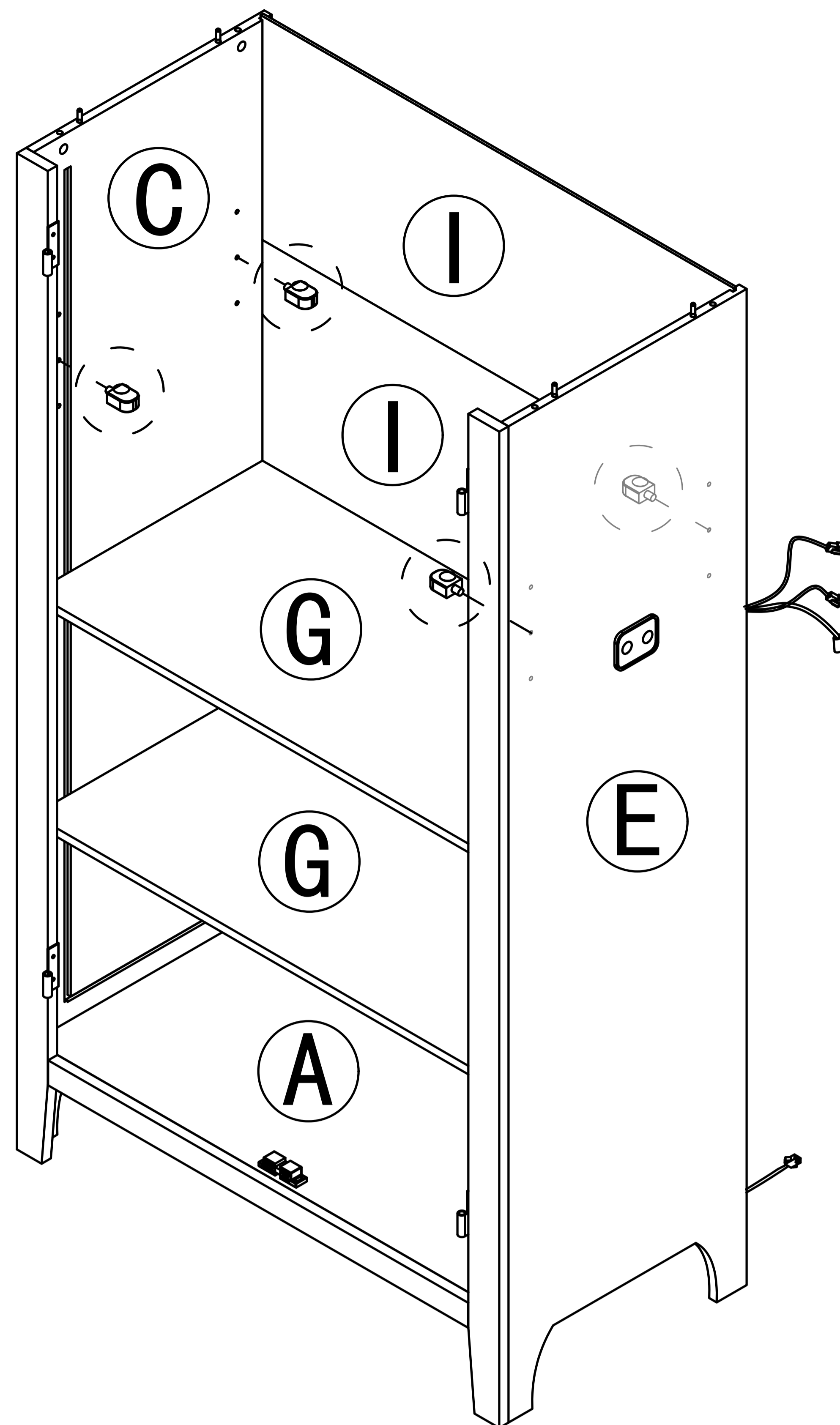
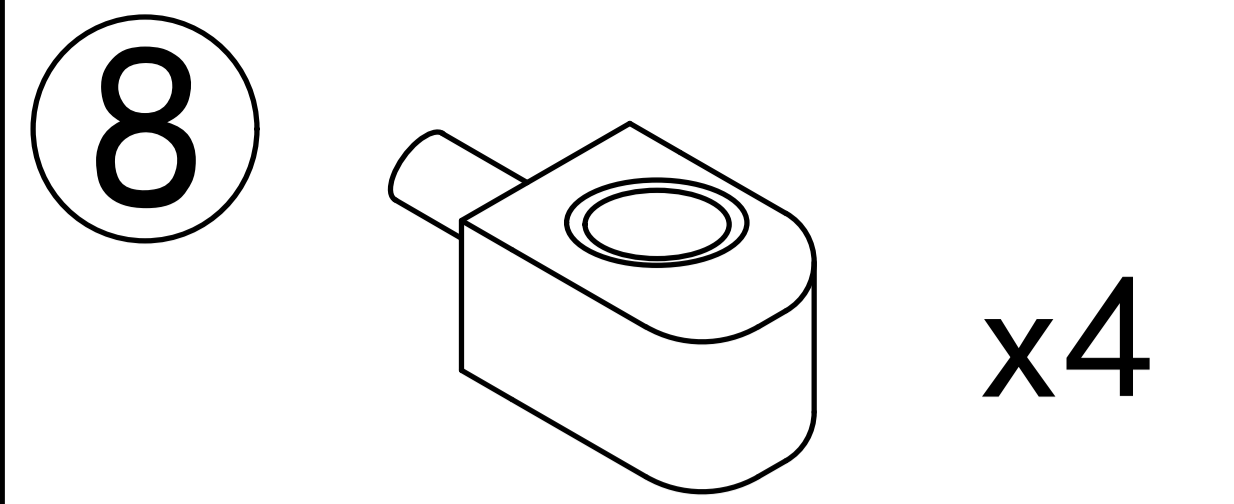


Step 17

15 x1

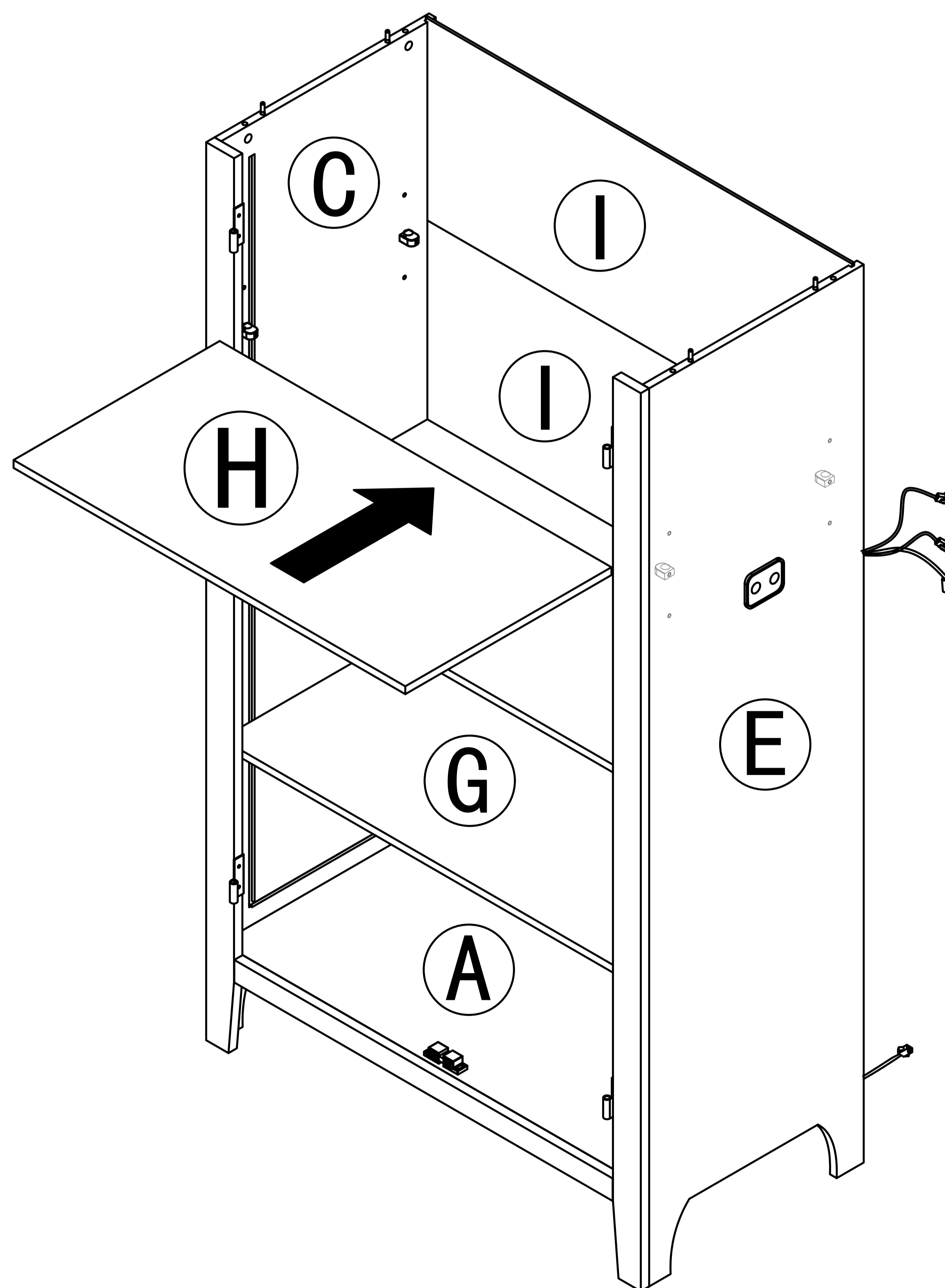


## Step 18



Adjust 8 position according to the actual usage situation of H board

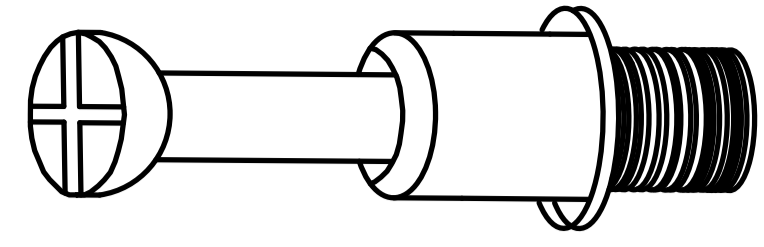

## Step 19

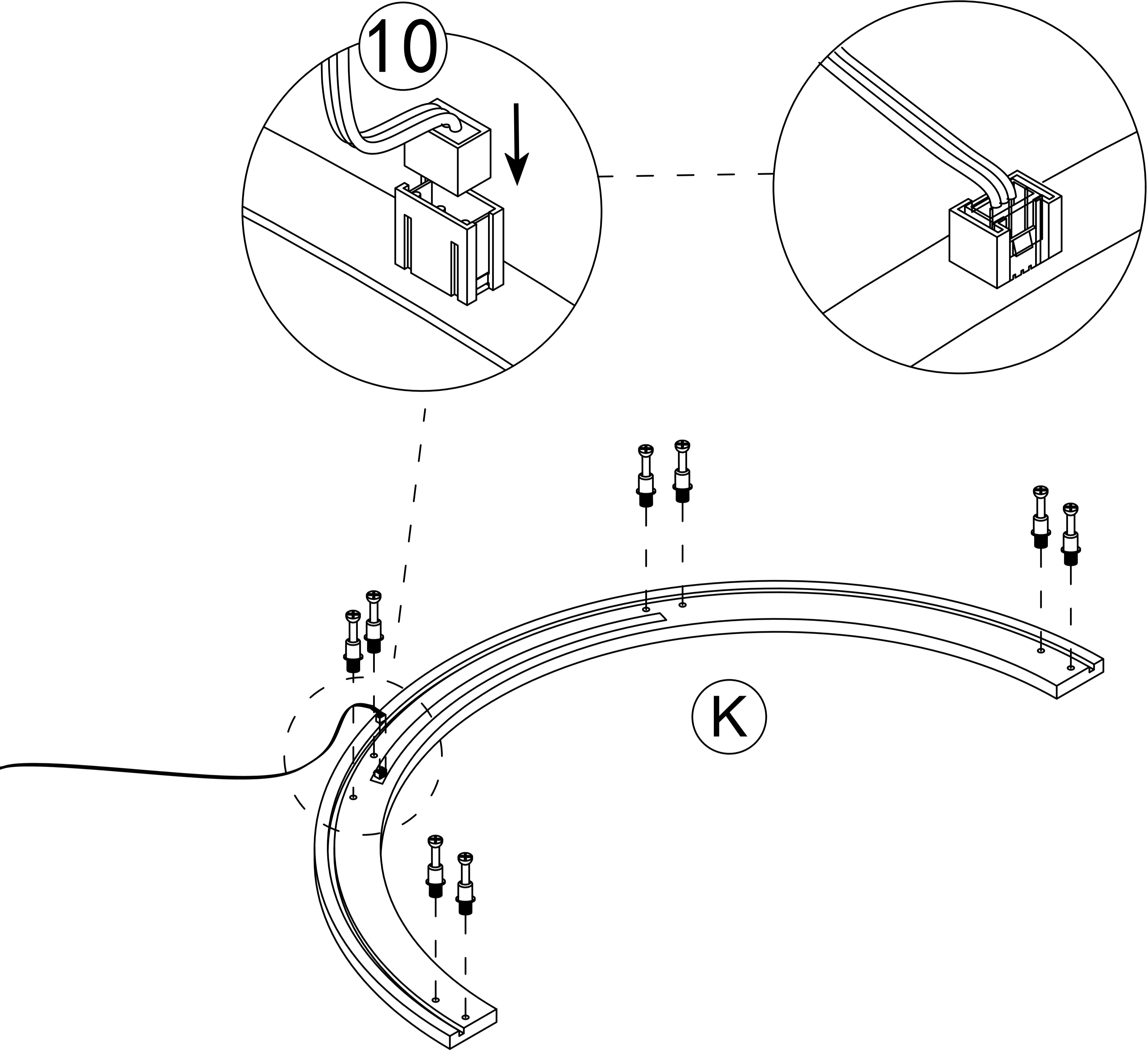


Please tilt the (H) board and place it inside

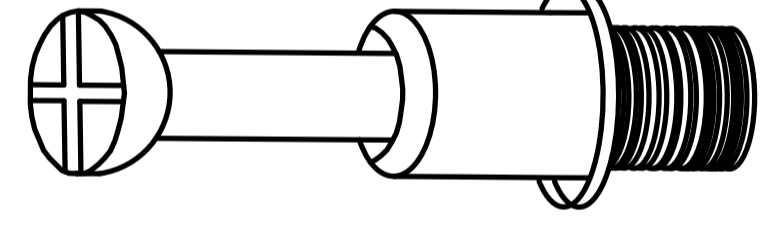
Step 20

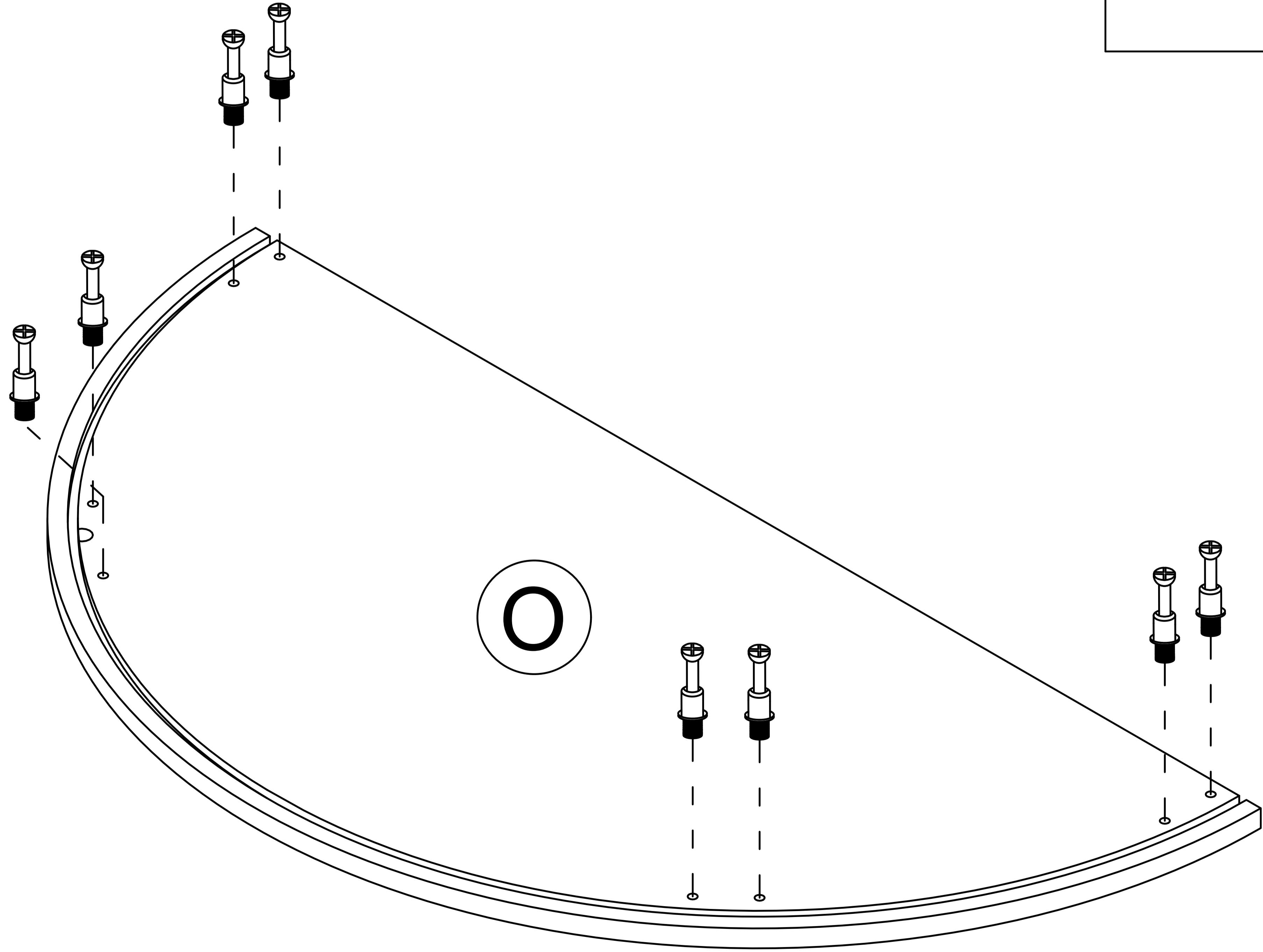
Connect the light cable socket

- 1  x8
- 10  x1

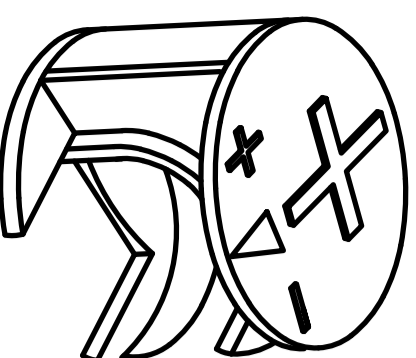


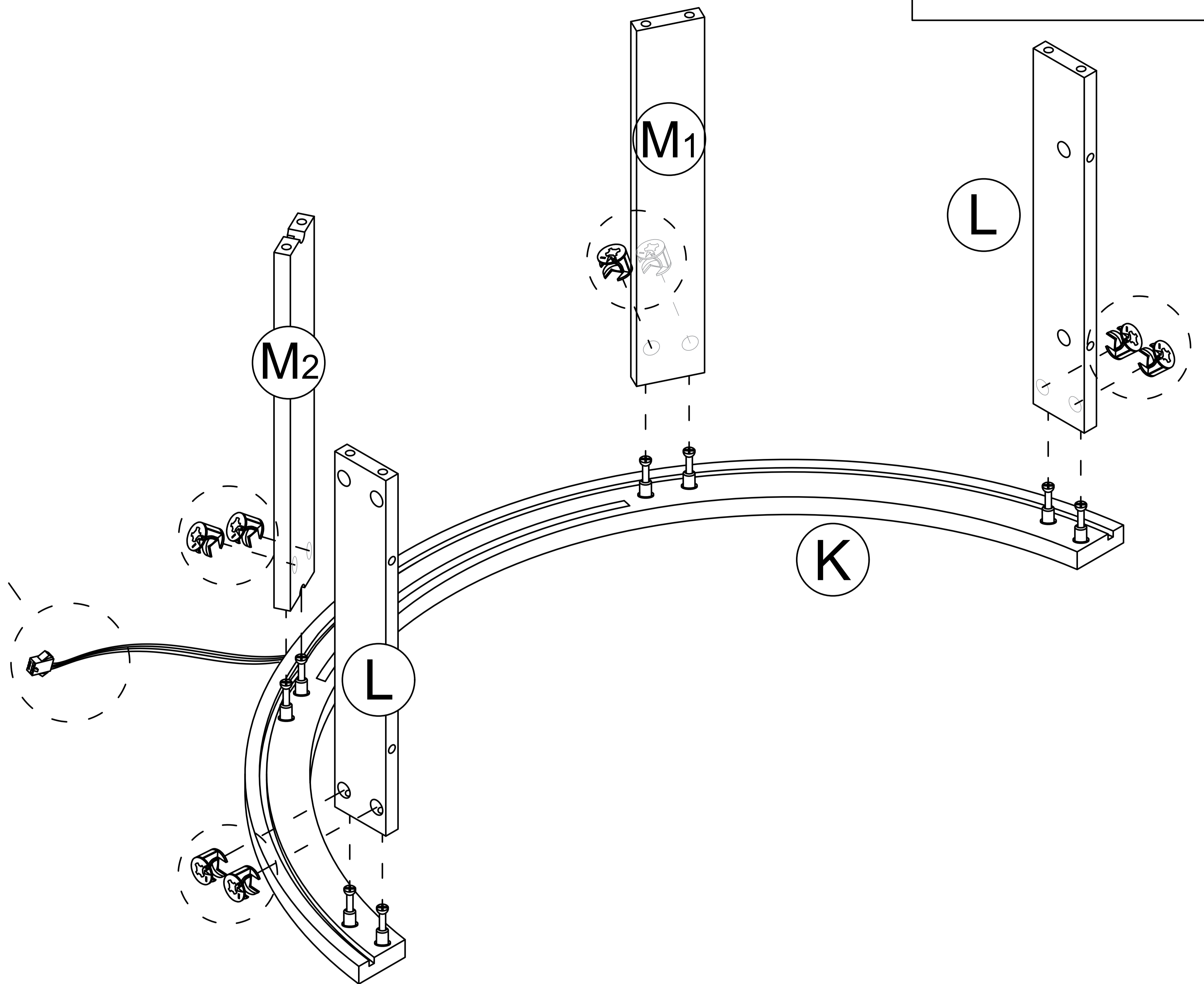
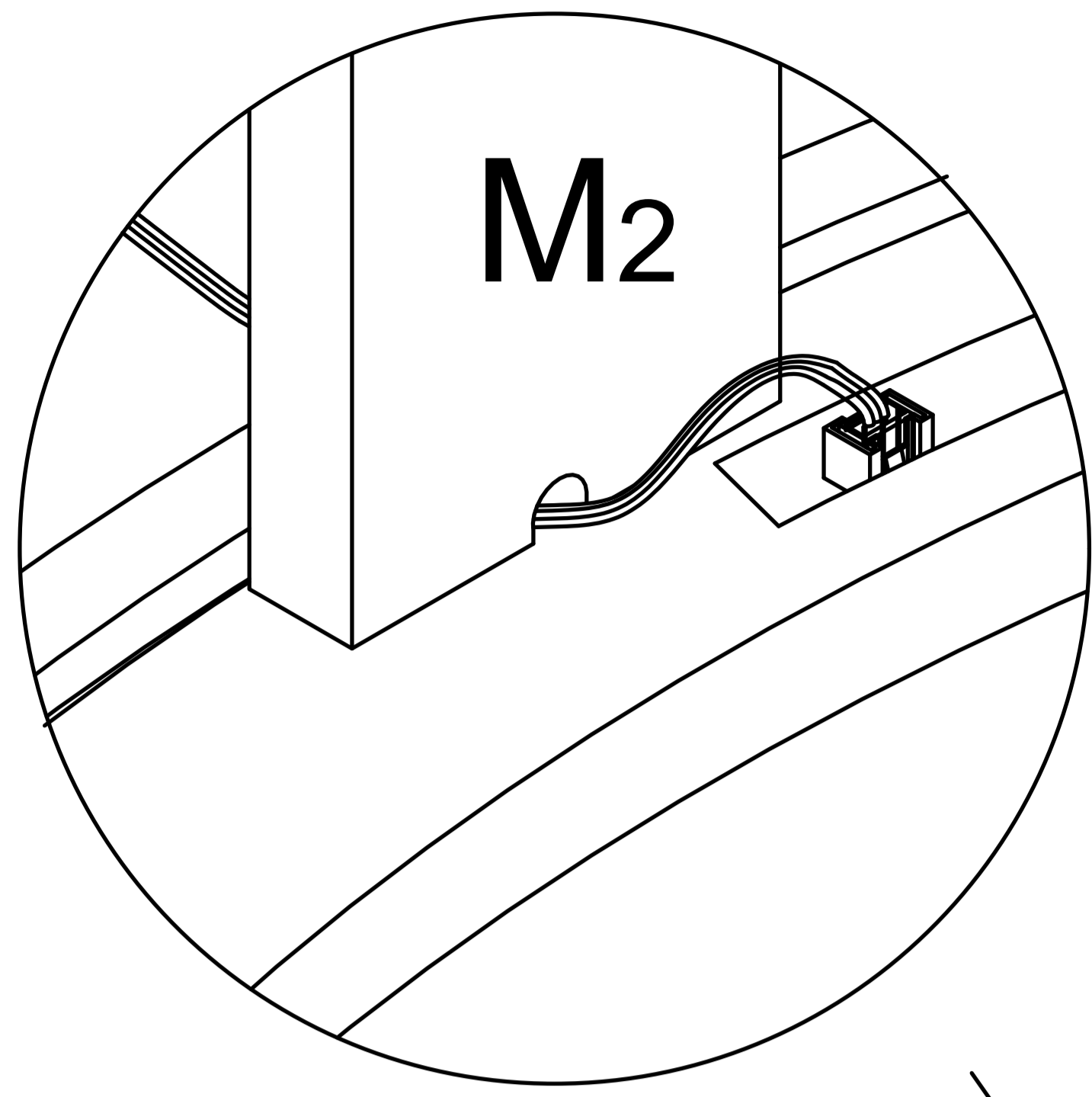
Step 21

- 1  x8



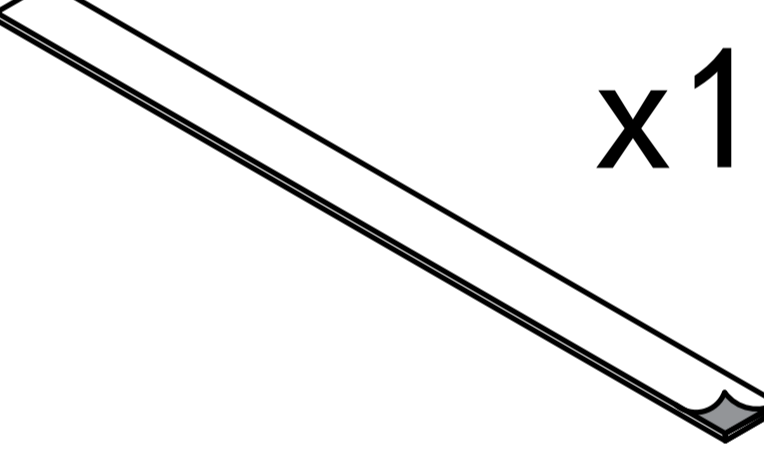
## Step 22

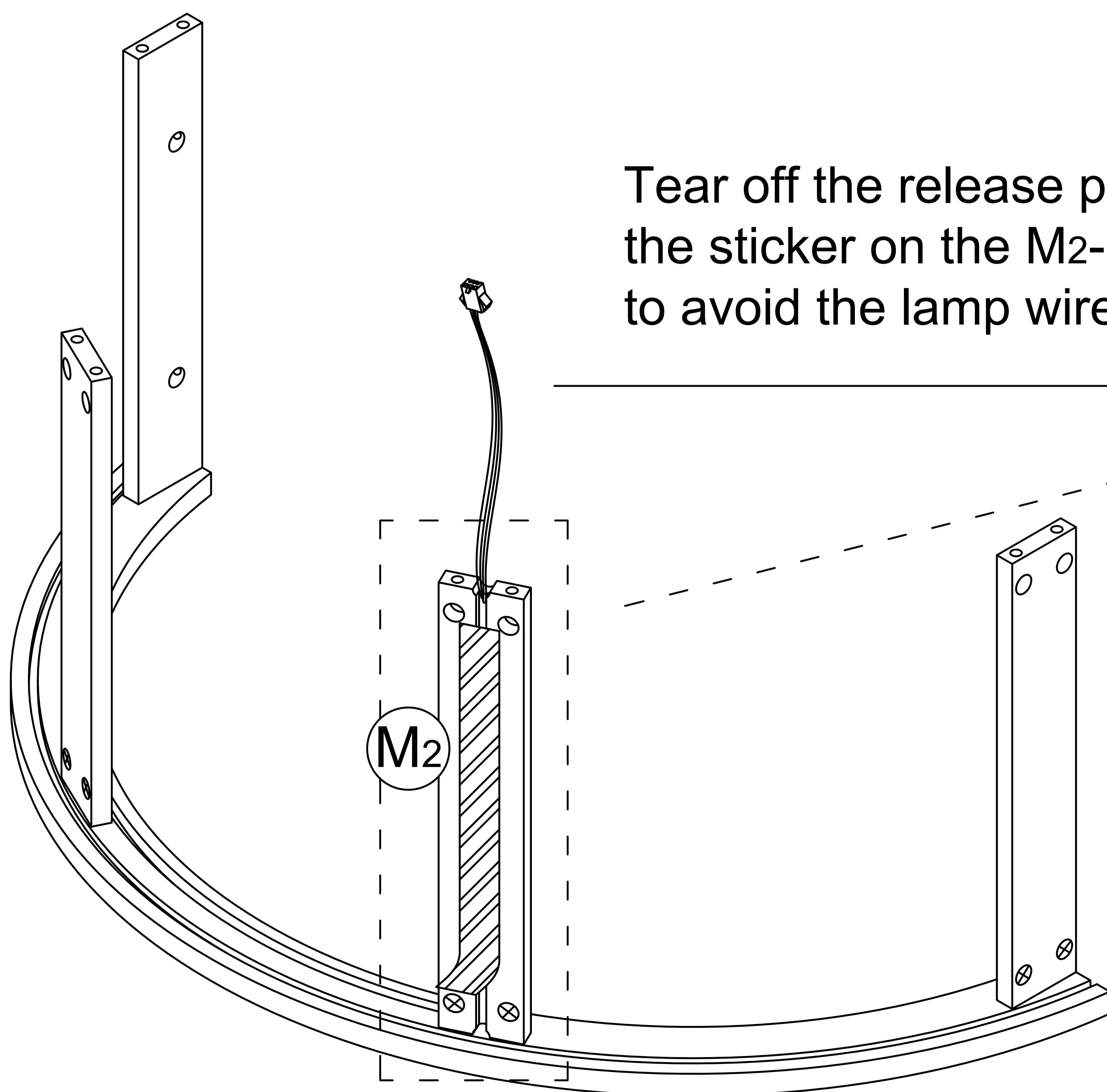
2  x8



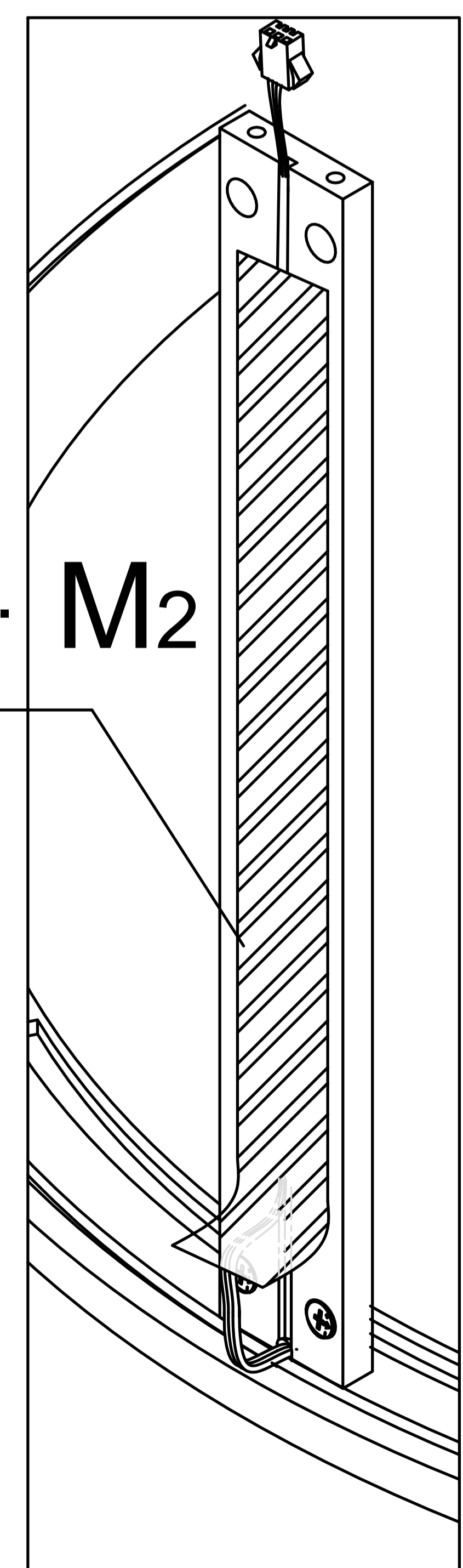
Thread the light wire through board M<sub>2</sub> and tighten the nut

## Step 23

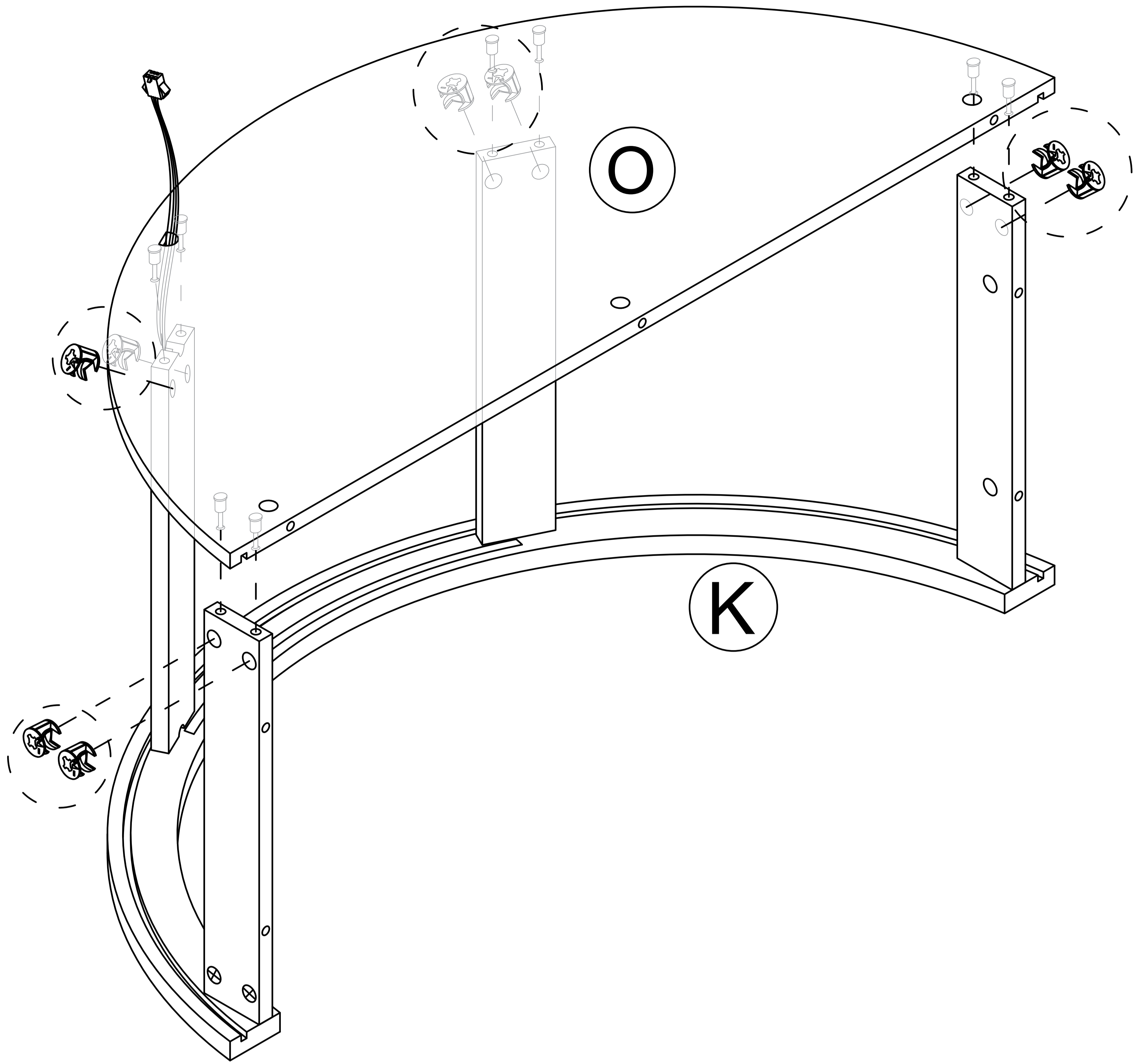
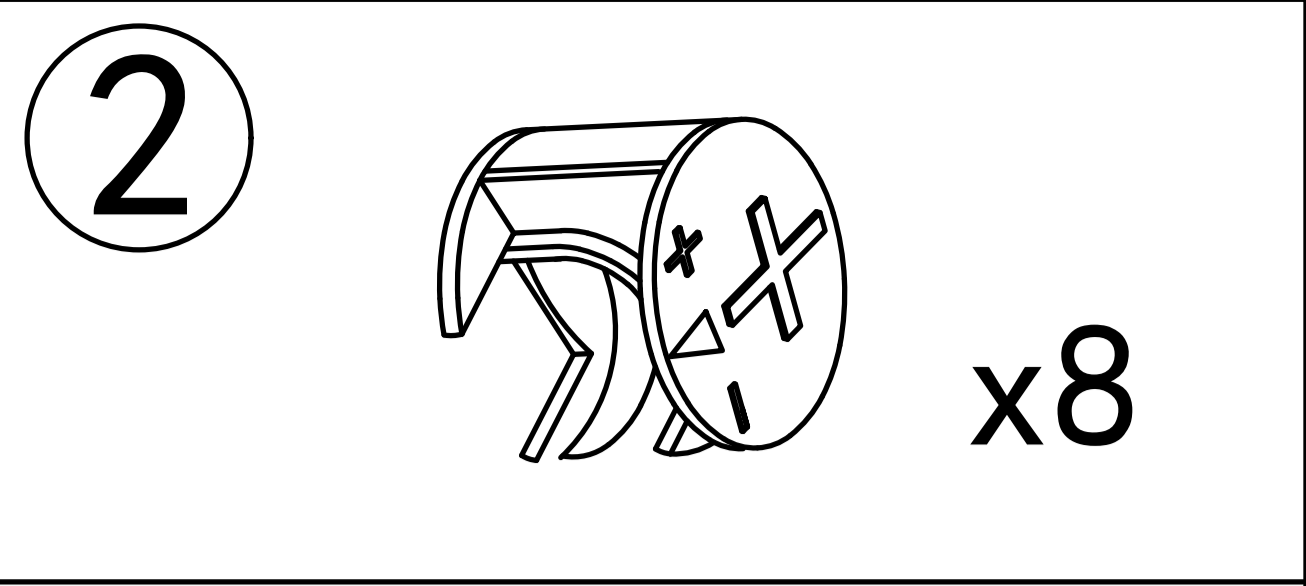
9  x1



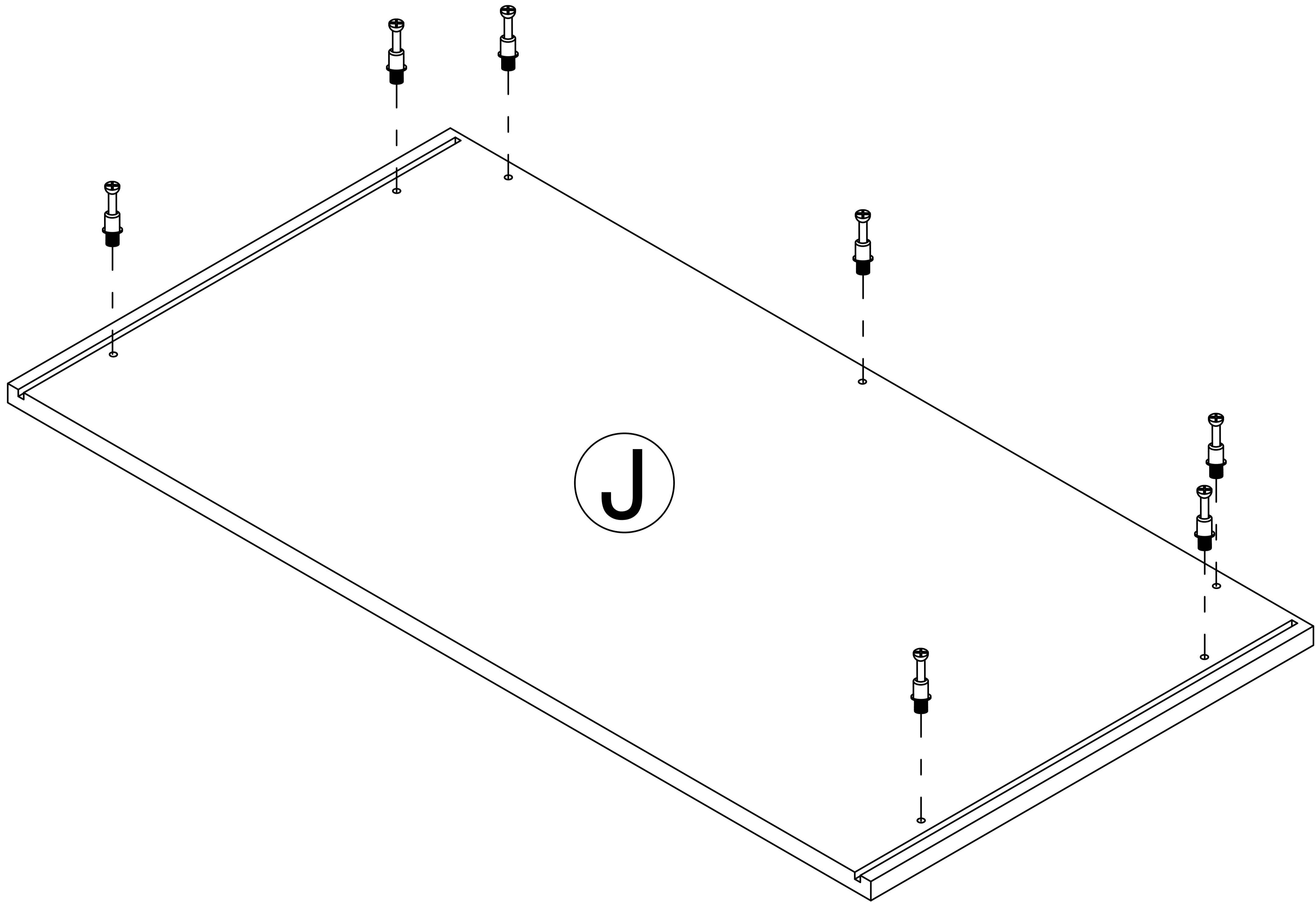
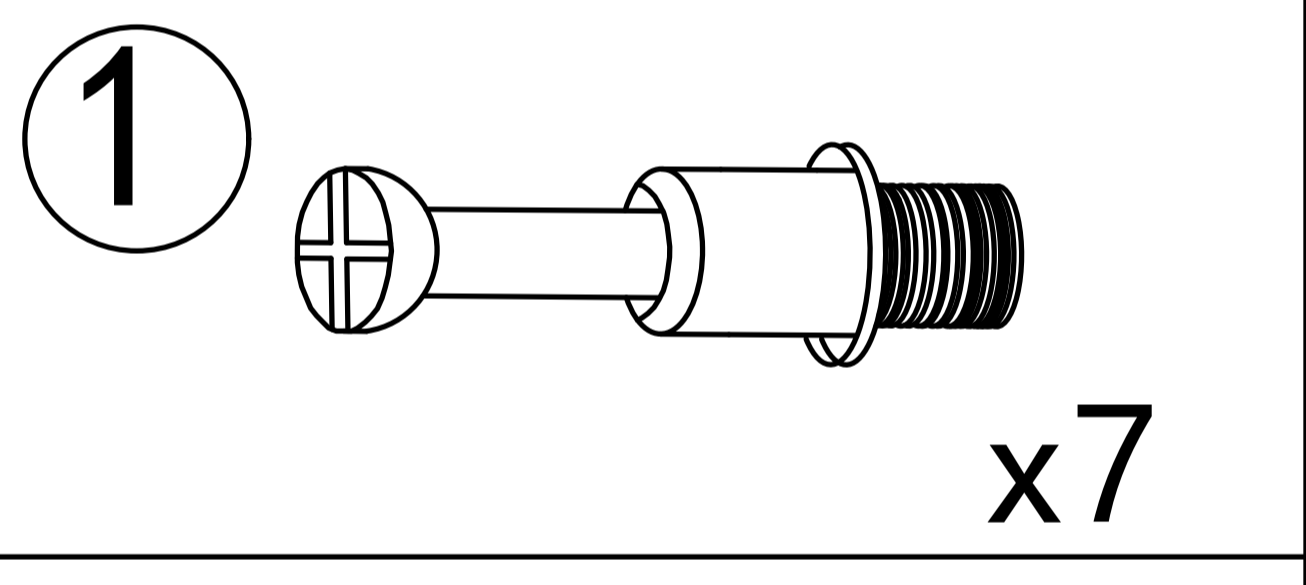
Tear off the release paper and stick the sticker on the M<sub>2</sub>-plate lamp slot to avoid the lamp wire from falling off.



Step 24

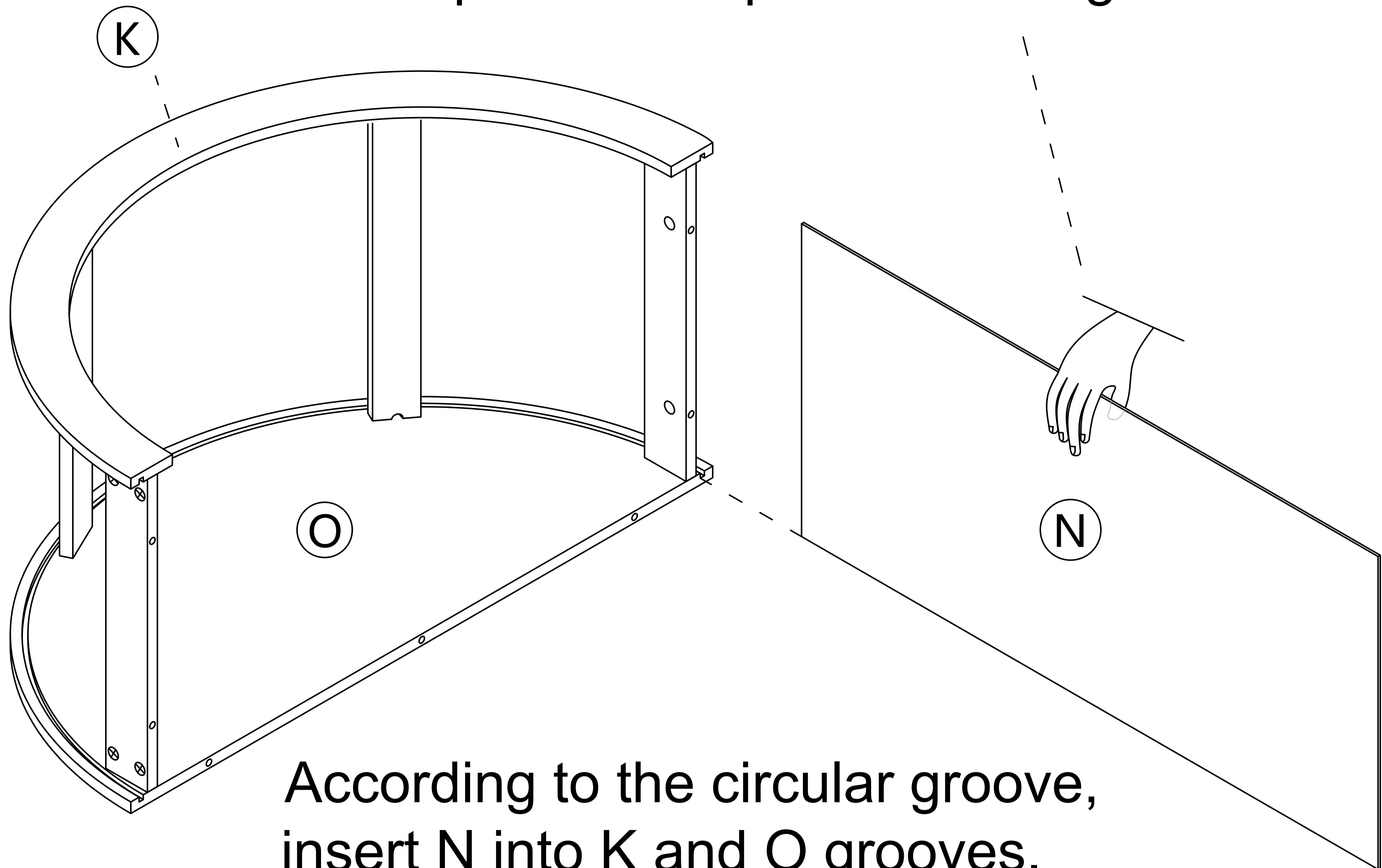


Step 25

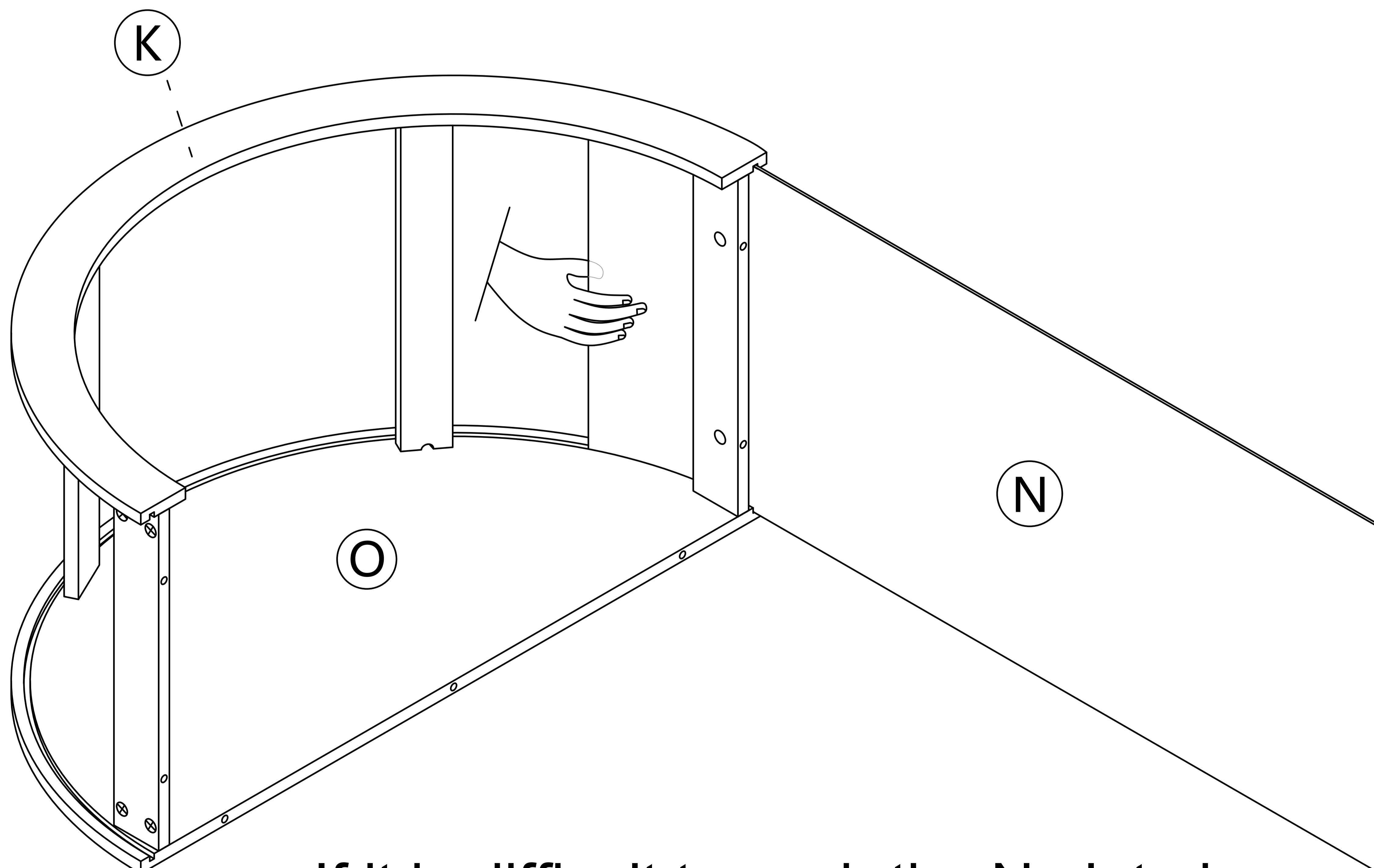


## Step 26

Note: When installing the N plate, push the middle of the N plate by hand to push the N plate into the groove.

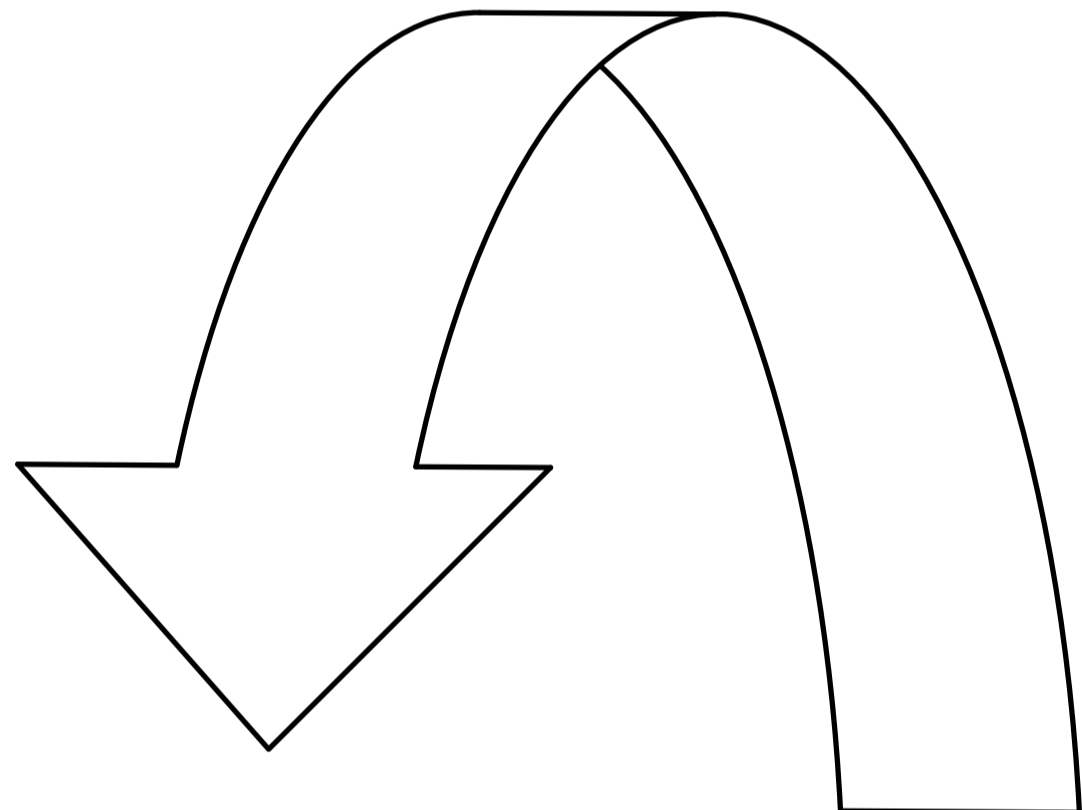
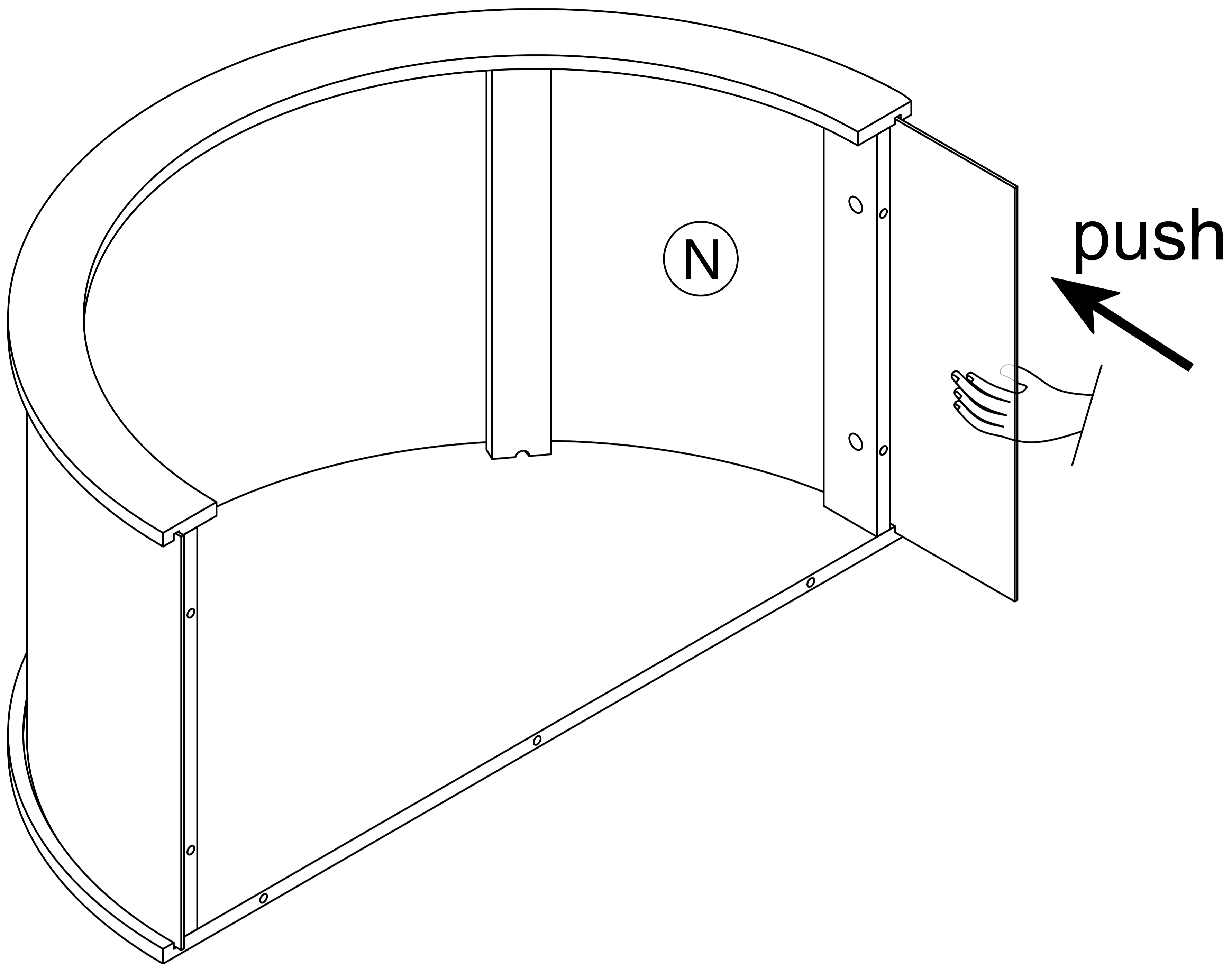


According to the circular groove, insert N into K and O grooves.

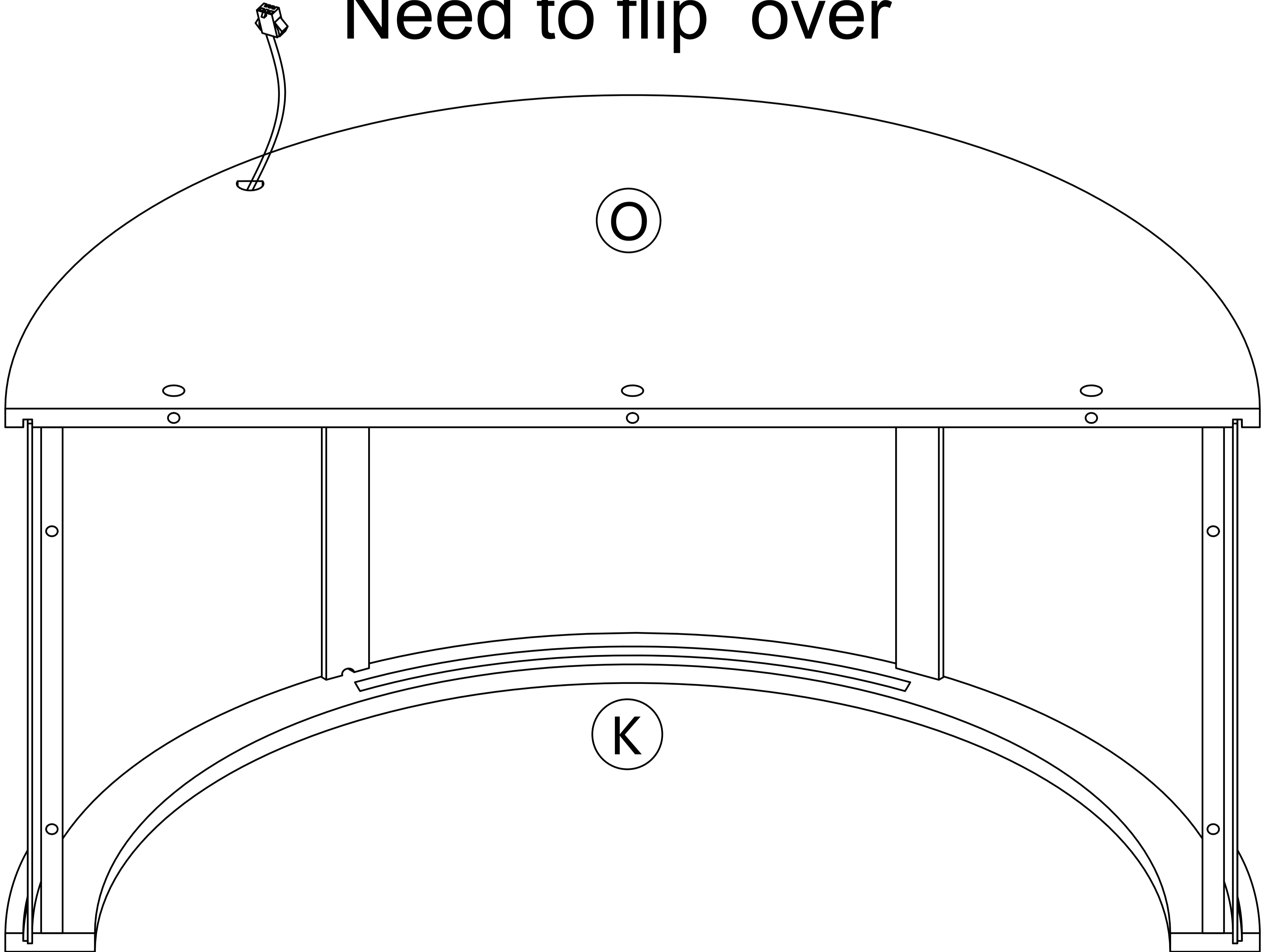


If it is difficult to push the N plate in, you can use the pull method.

Step 27

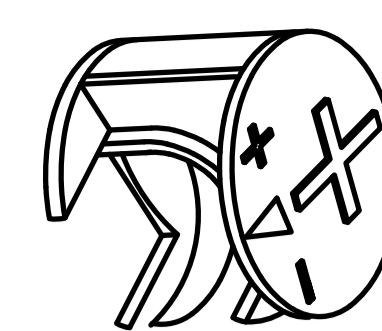


Need to flip over

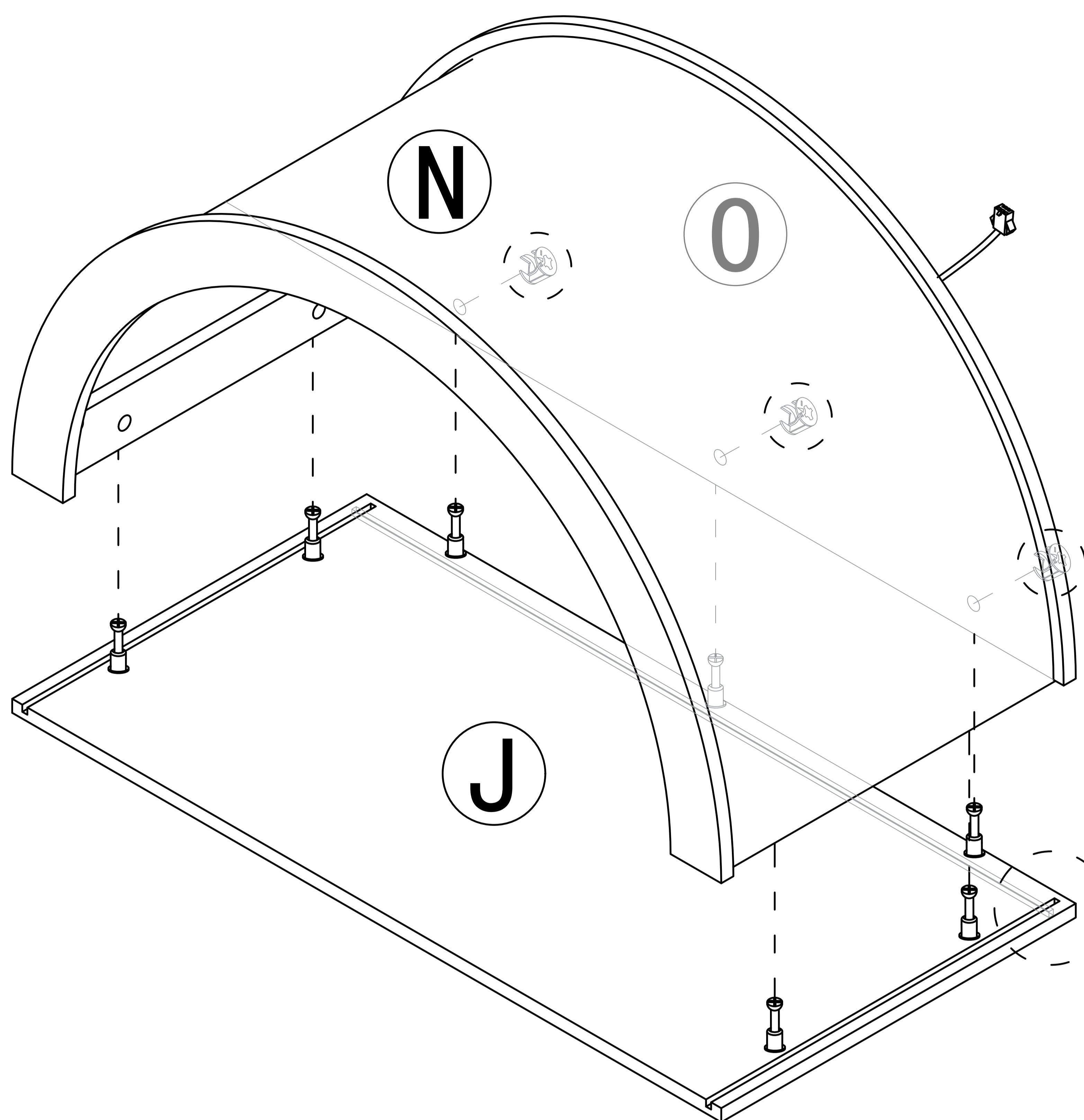


## Step 28

2



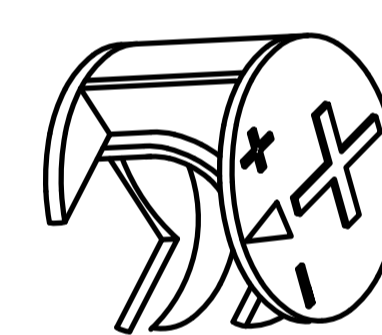
x3



When installing the J plate, pay attention to the front and back, and there is a groove under the O plate.

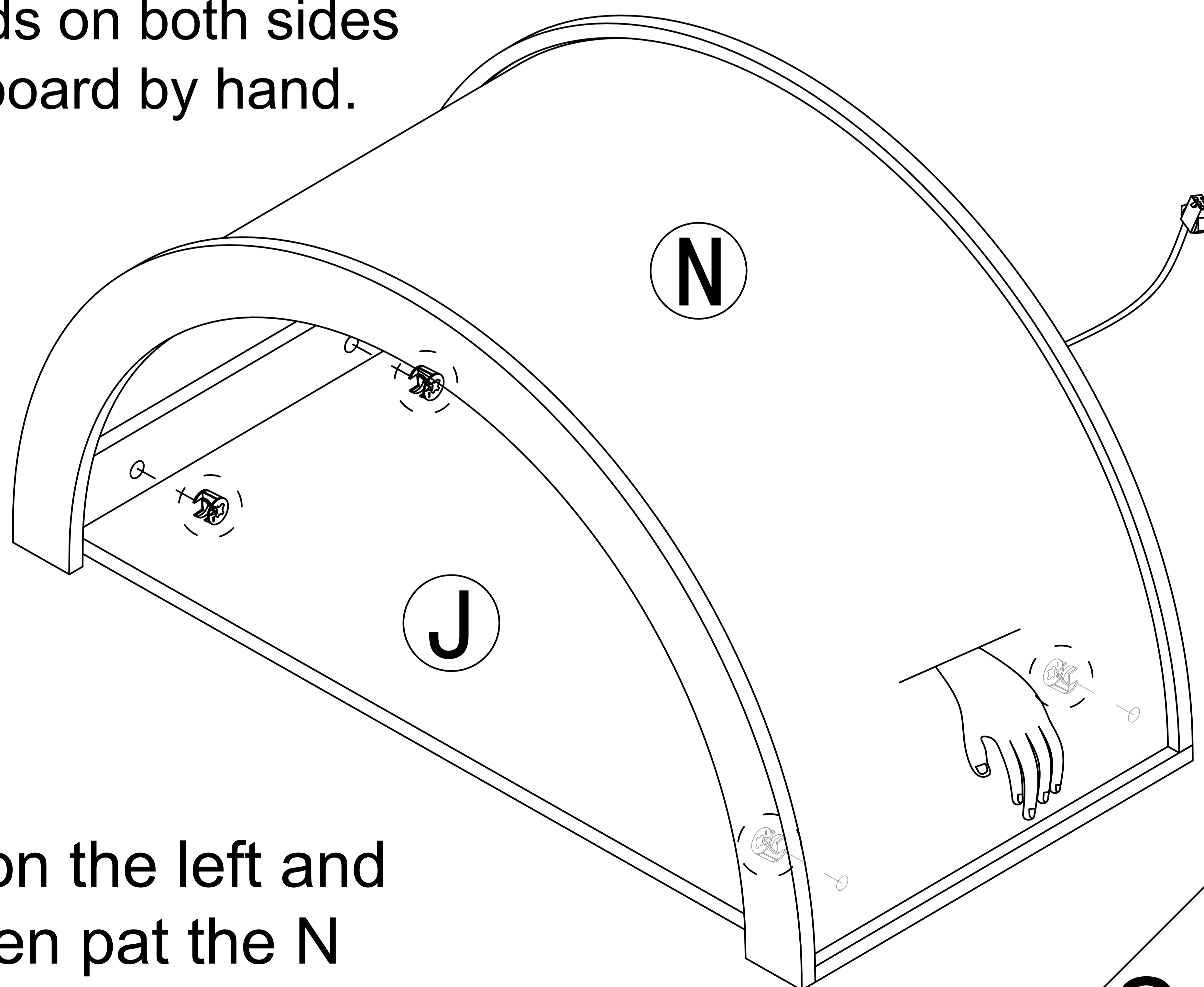
## Step 29

2



x4

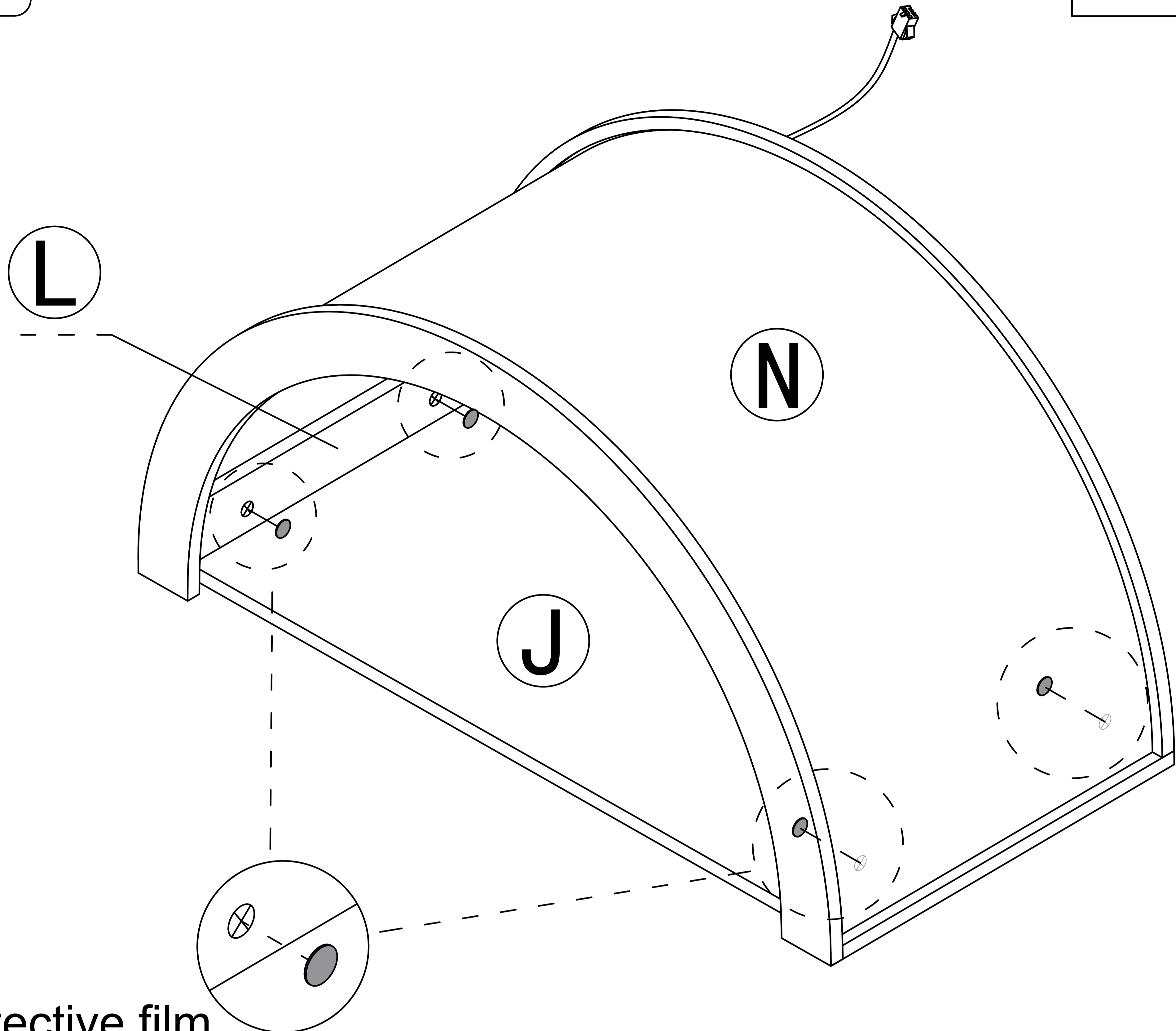
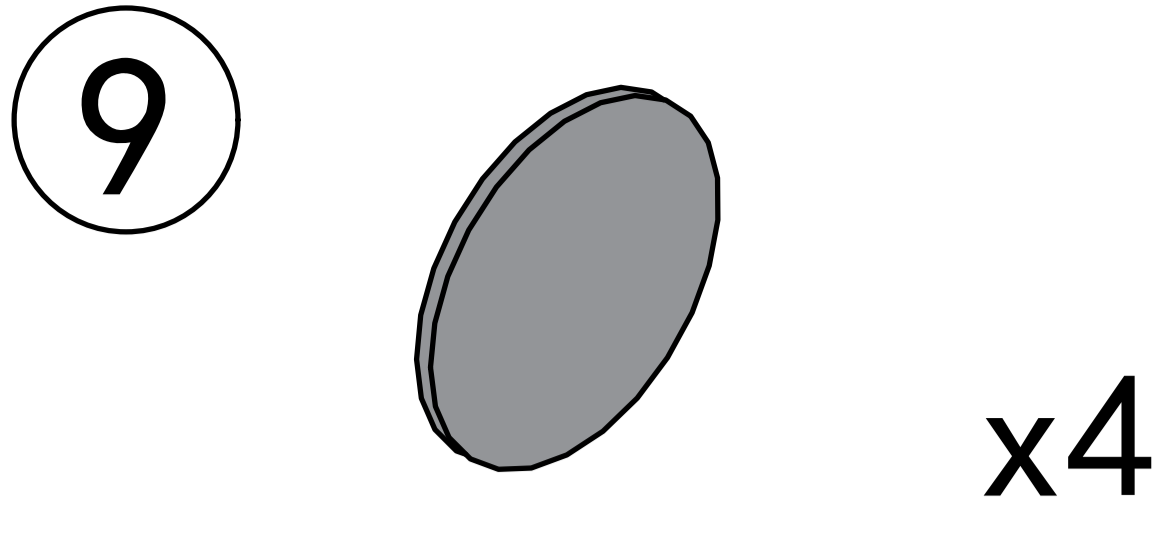
Note: After installing the N board, you need to pat the backboards on both sides into the grooves of the J board by hand.



Note: pat the N plate on the left and then screw the nut, then pat the N plate on the right and screw the nut.

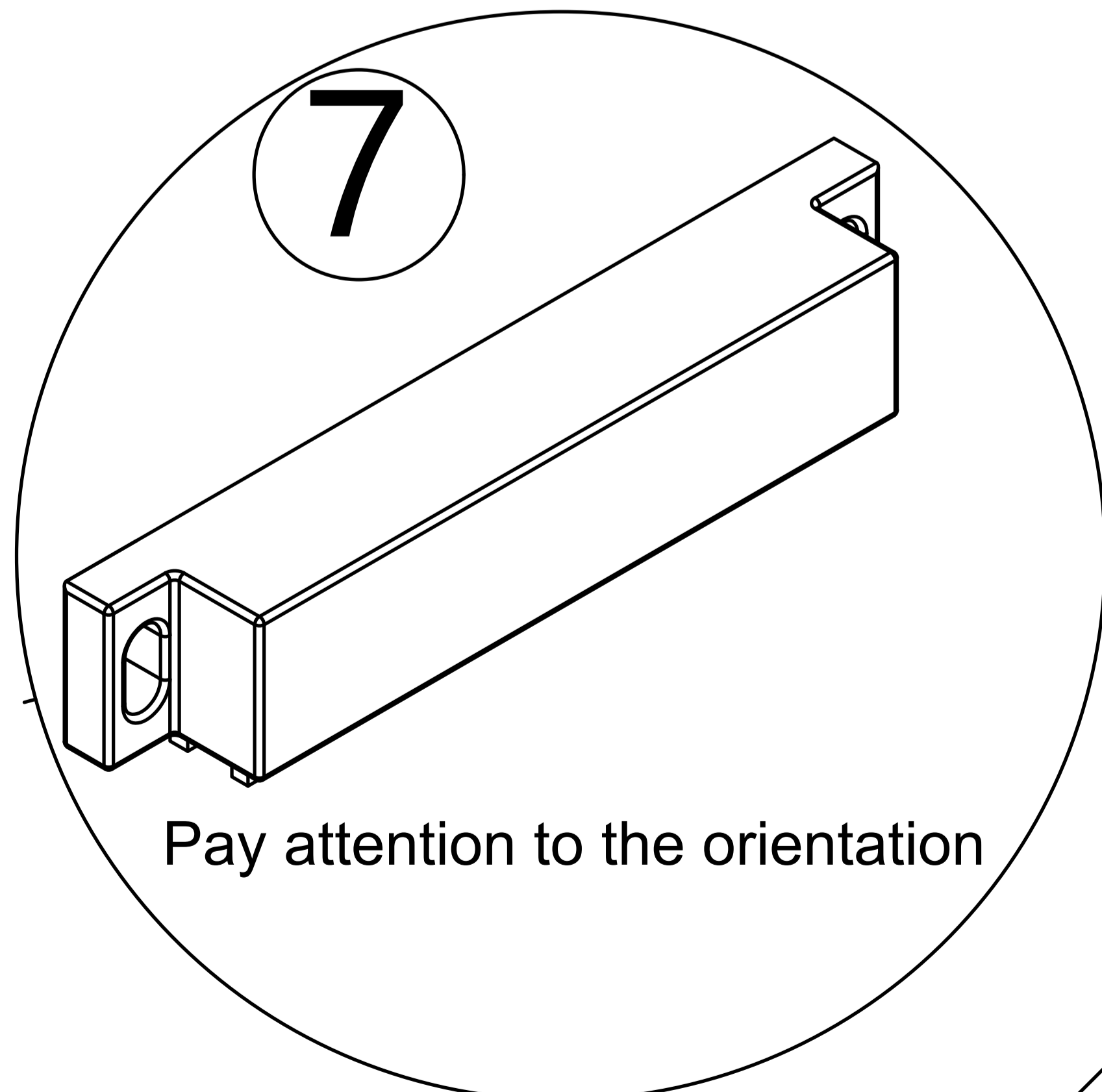
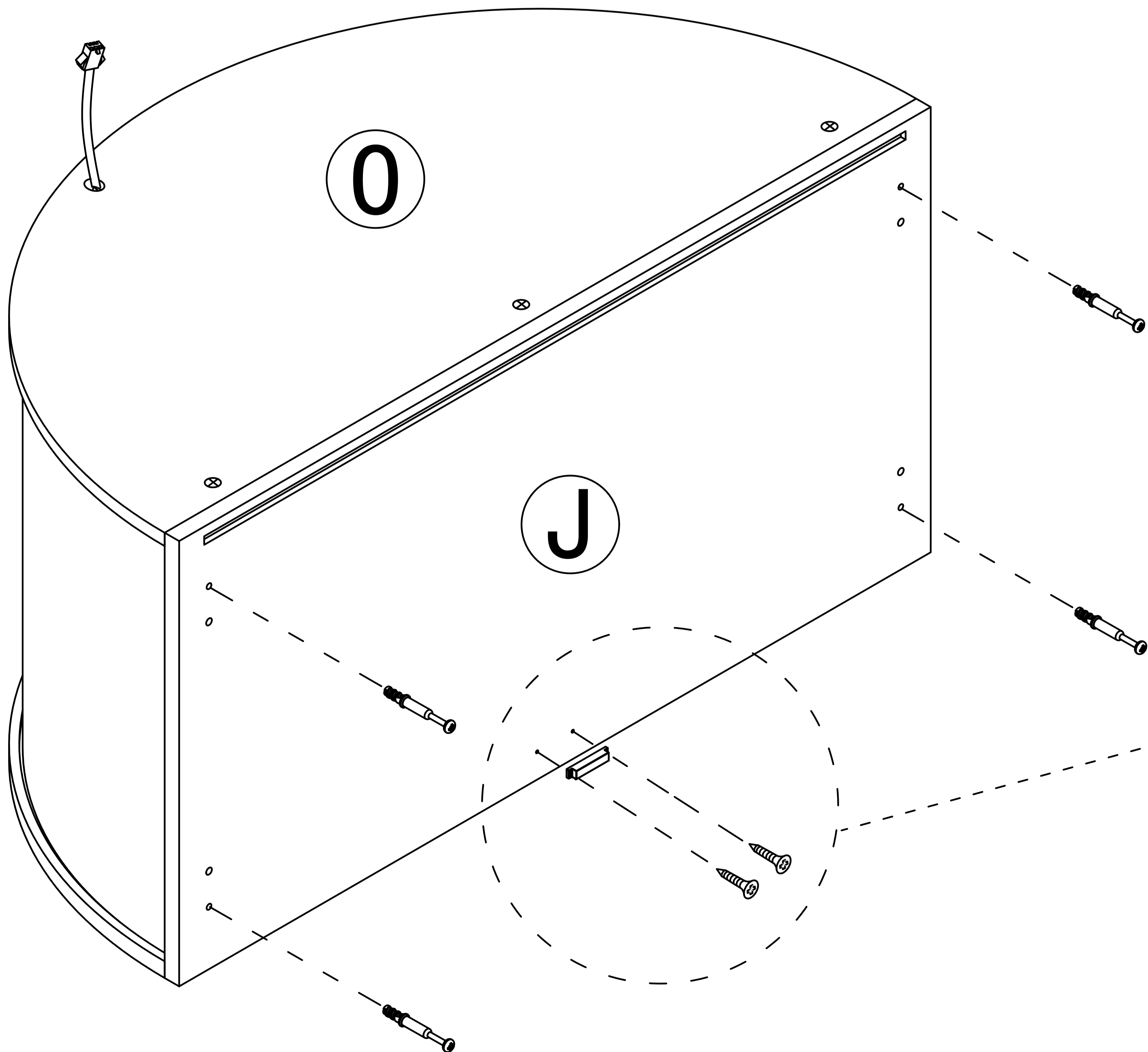
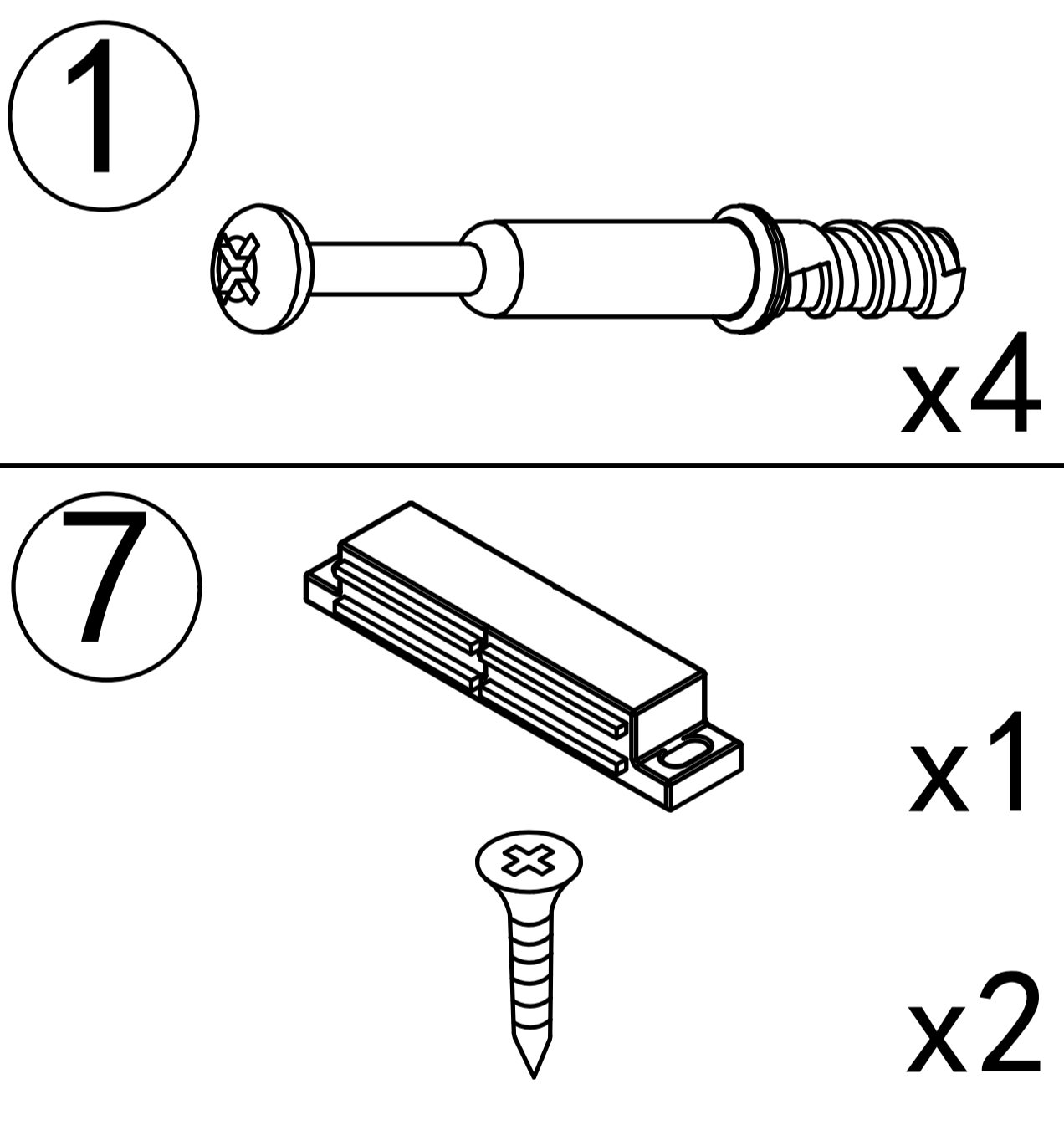
21

# Step 30



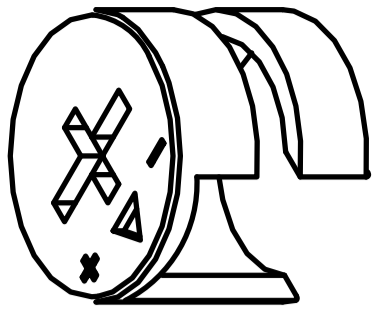
Tear off the protective film before installation

# Step 31

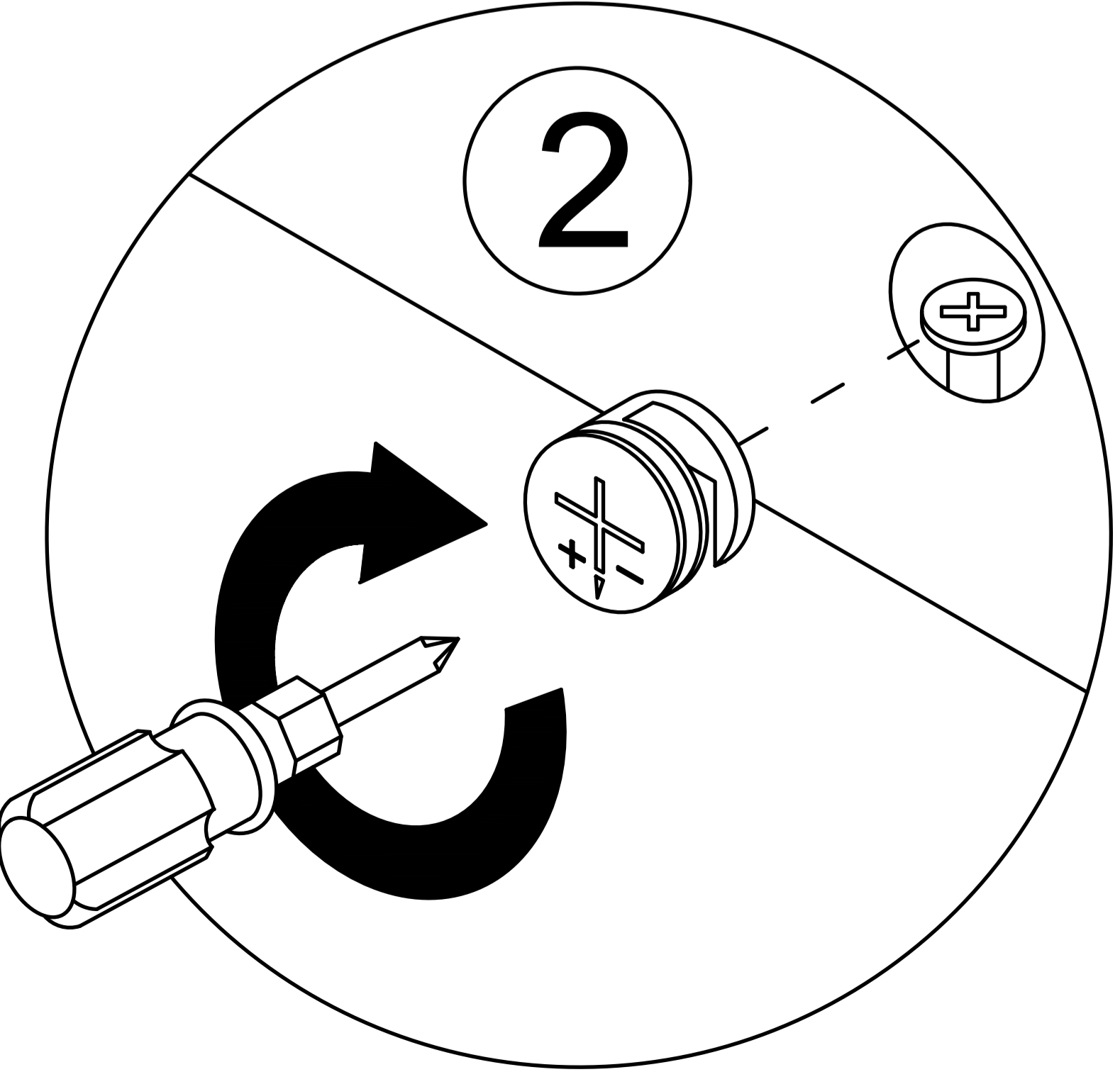
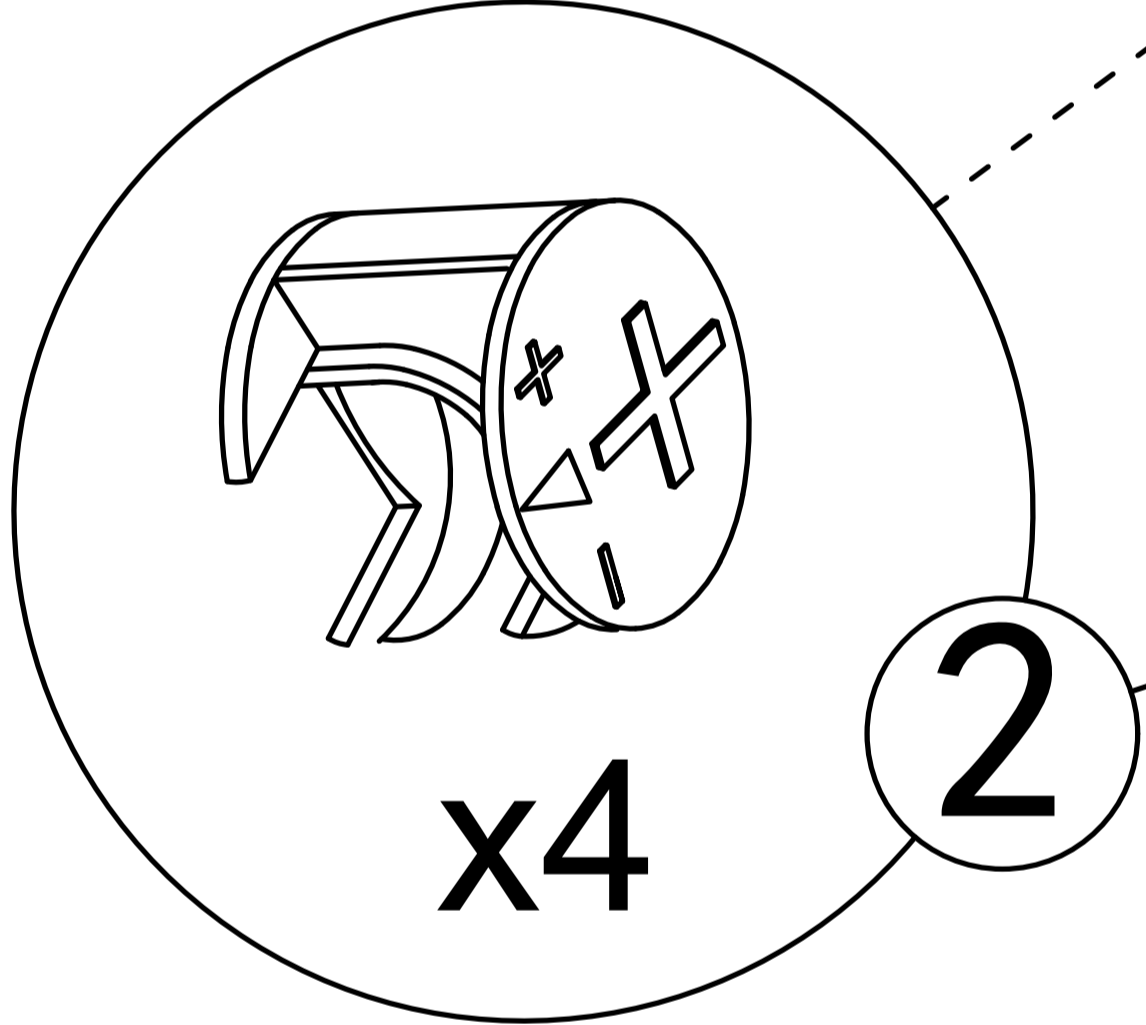
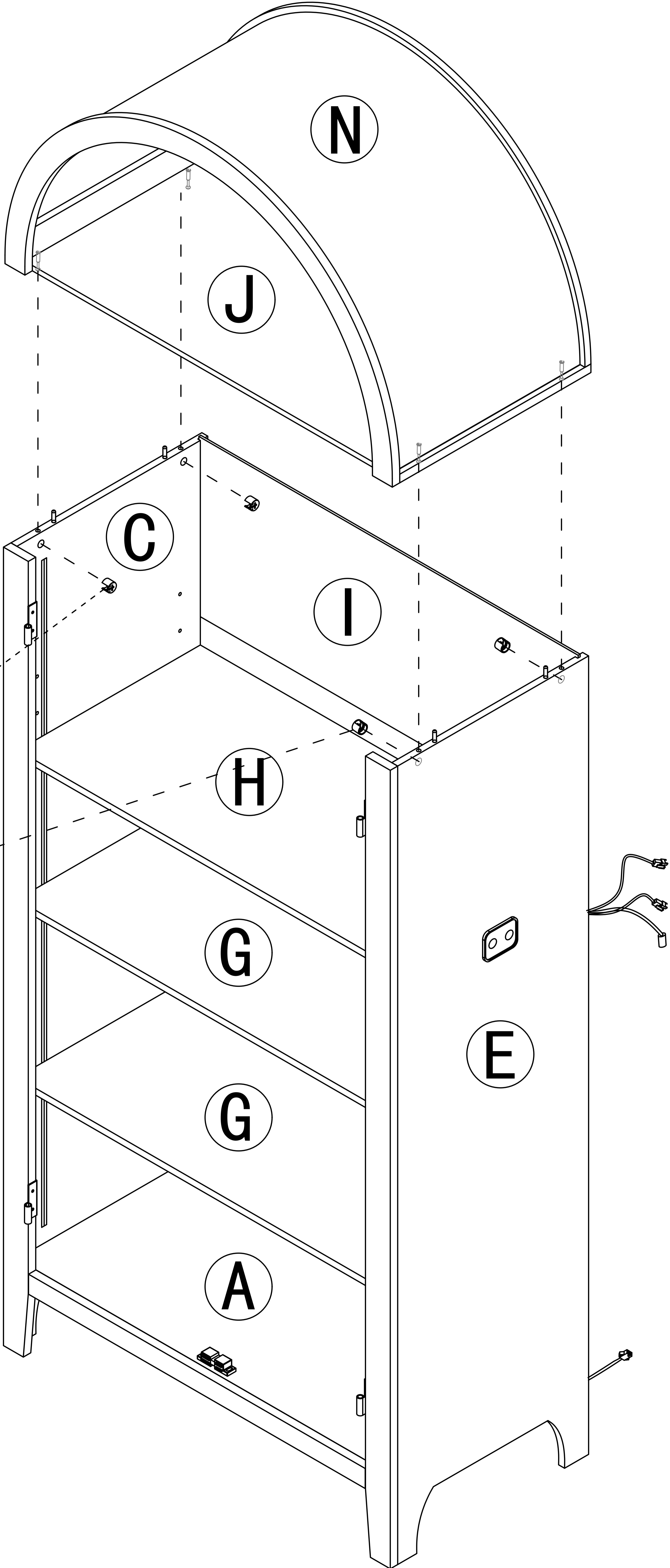


Step 32

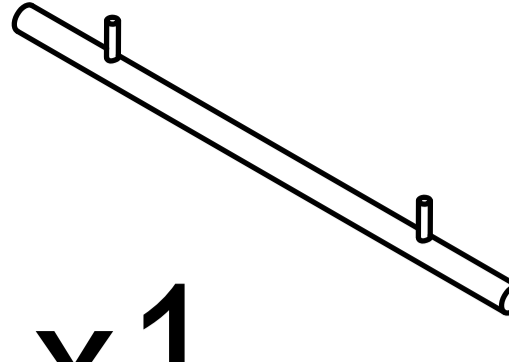
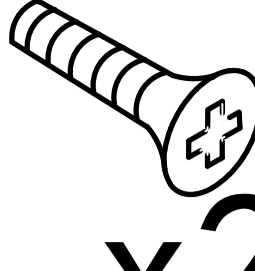
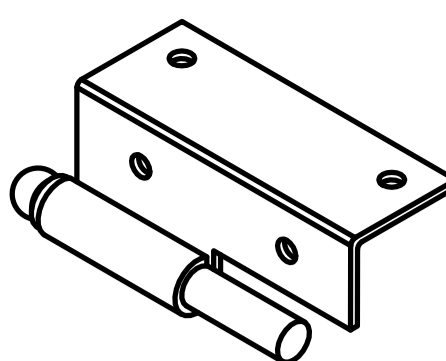
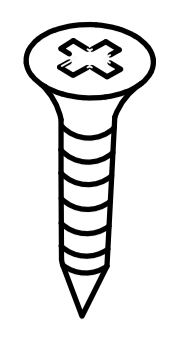
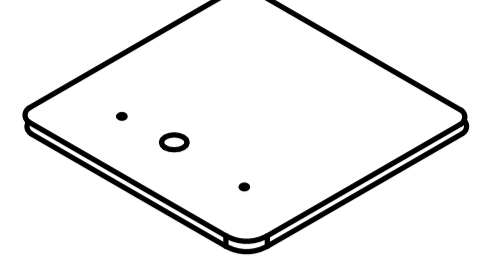
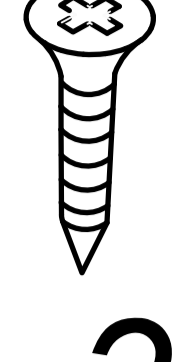
2

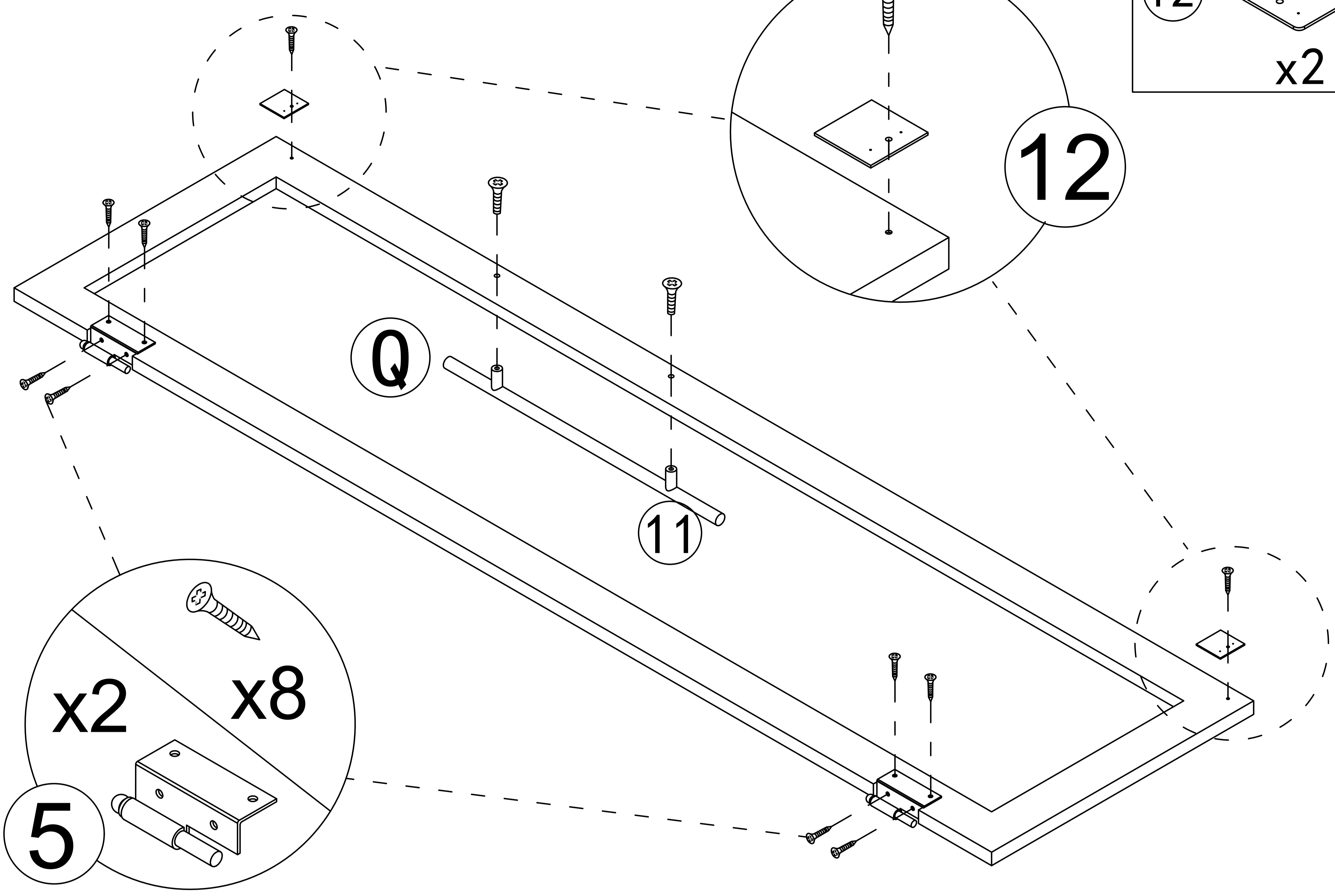


x4

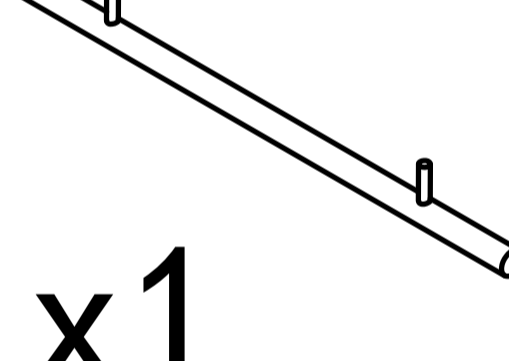
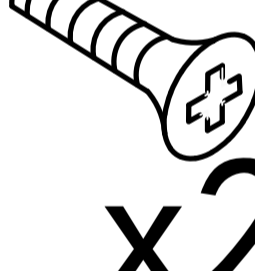
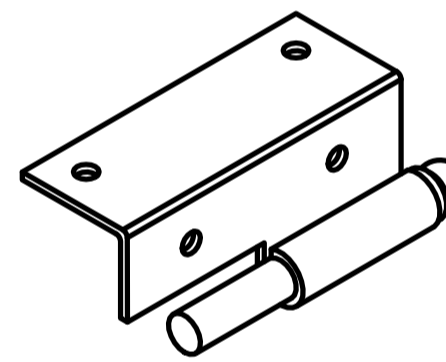
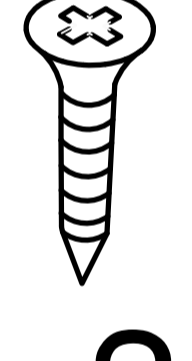
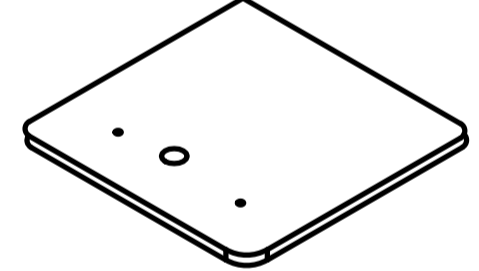
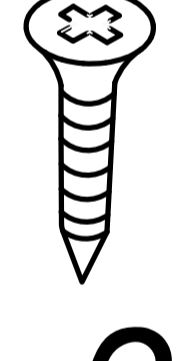


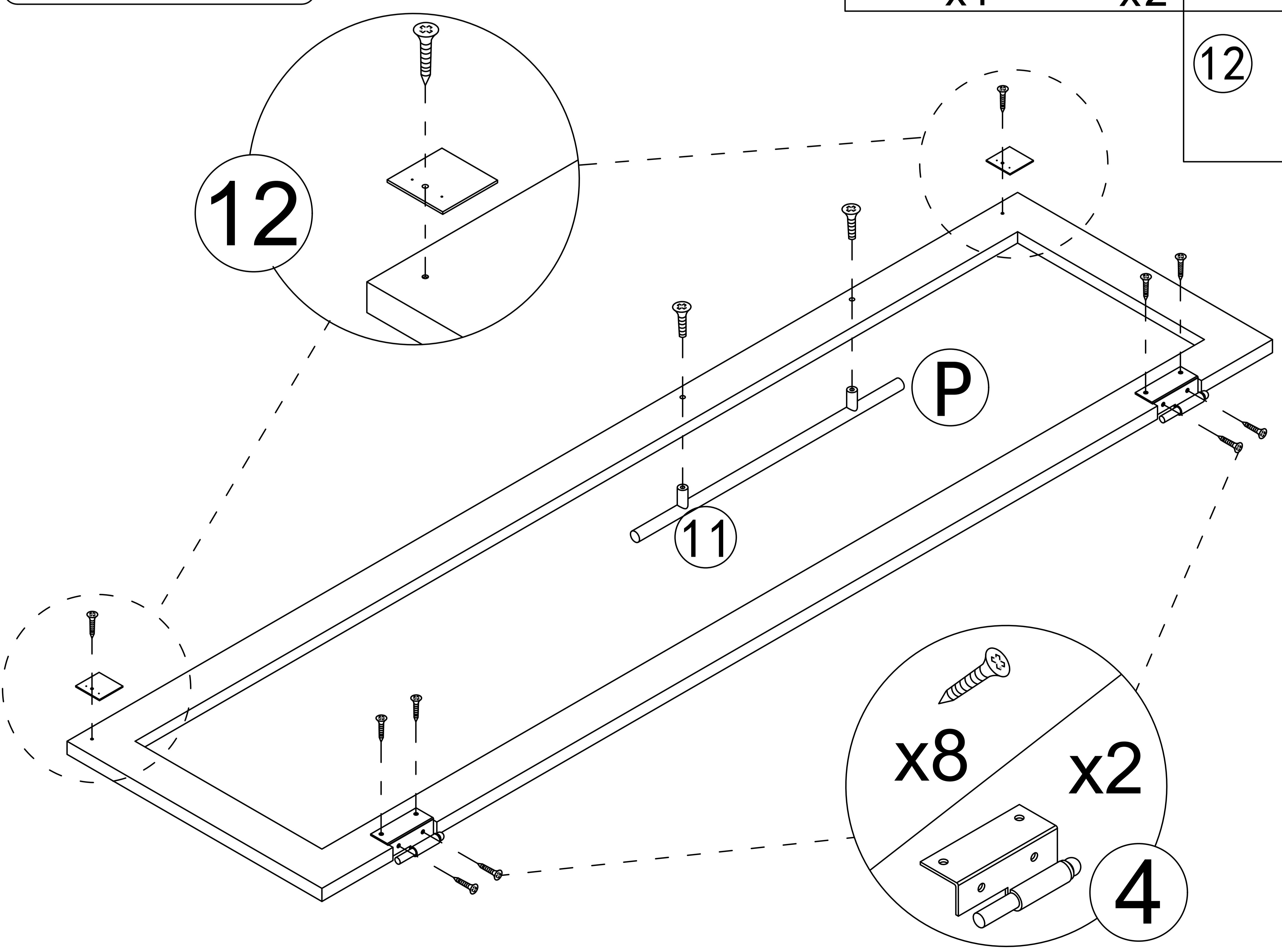
# Step 33

- |      |   |   |     |  |  |
|------|---|---|-----|--|--|
| (11) |  |  | (5) |  |  |
|      | x1  | x2  |     | x2   | x8   |
| (12) |  |  |     |  |  |
|      | x2  | x2  |     |  |  |



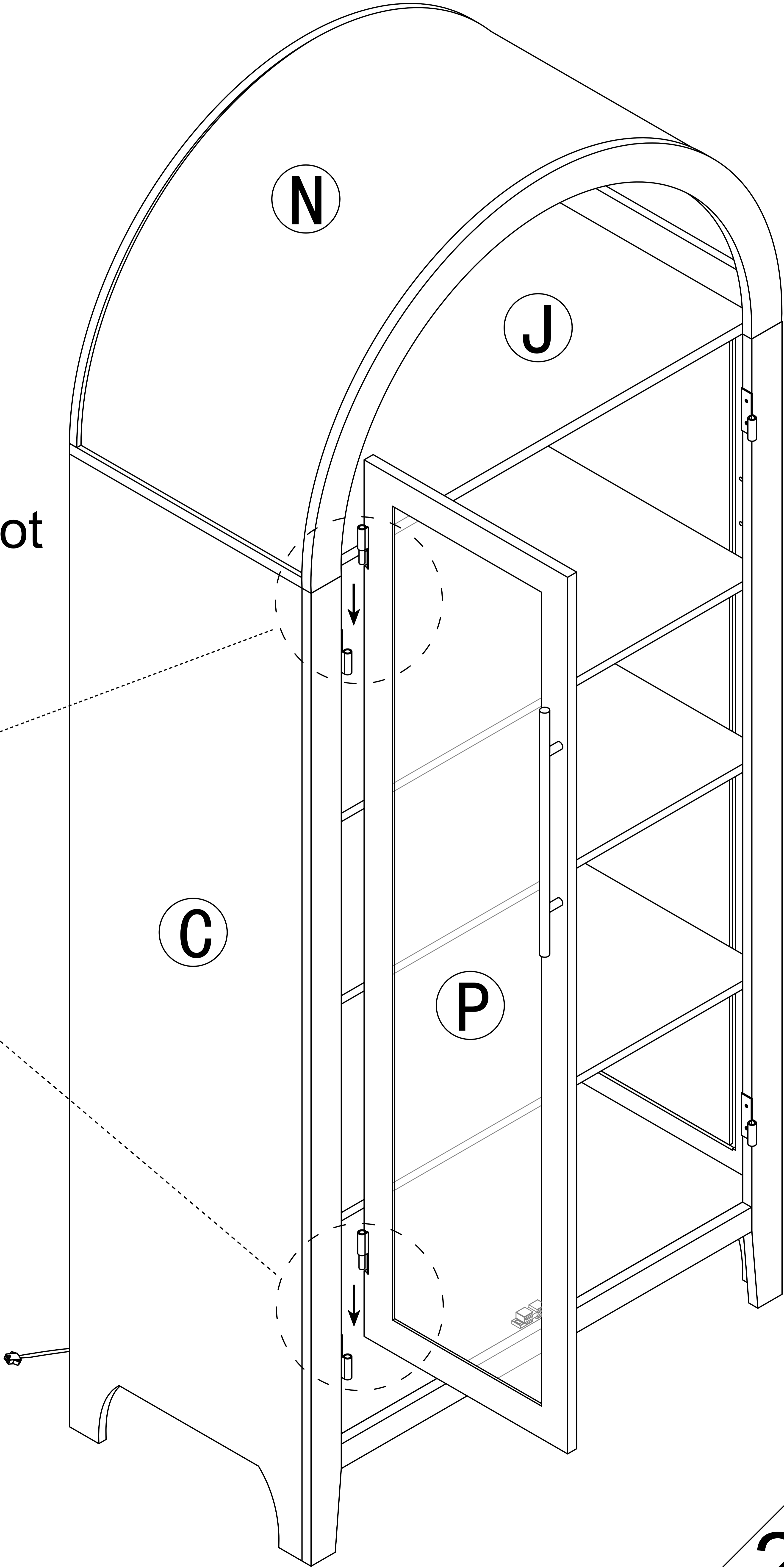
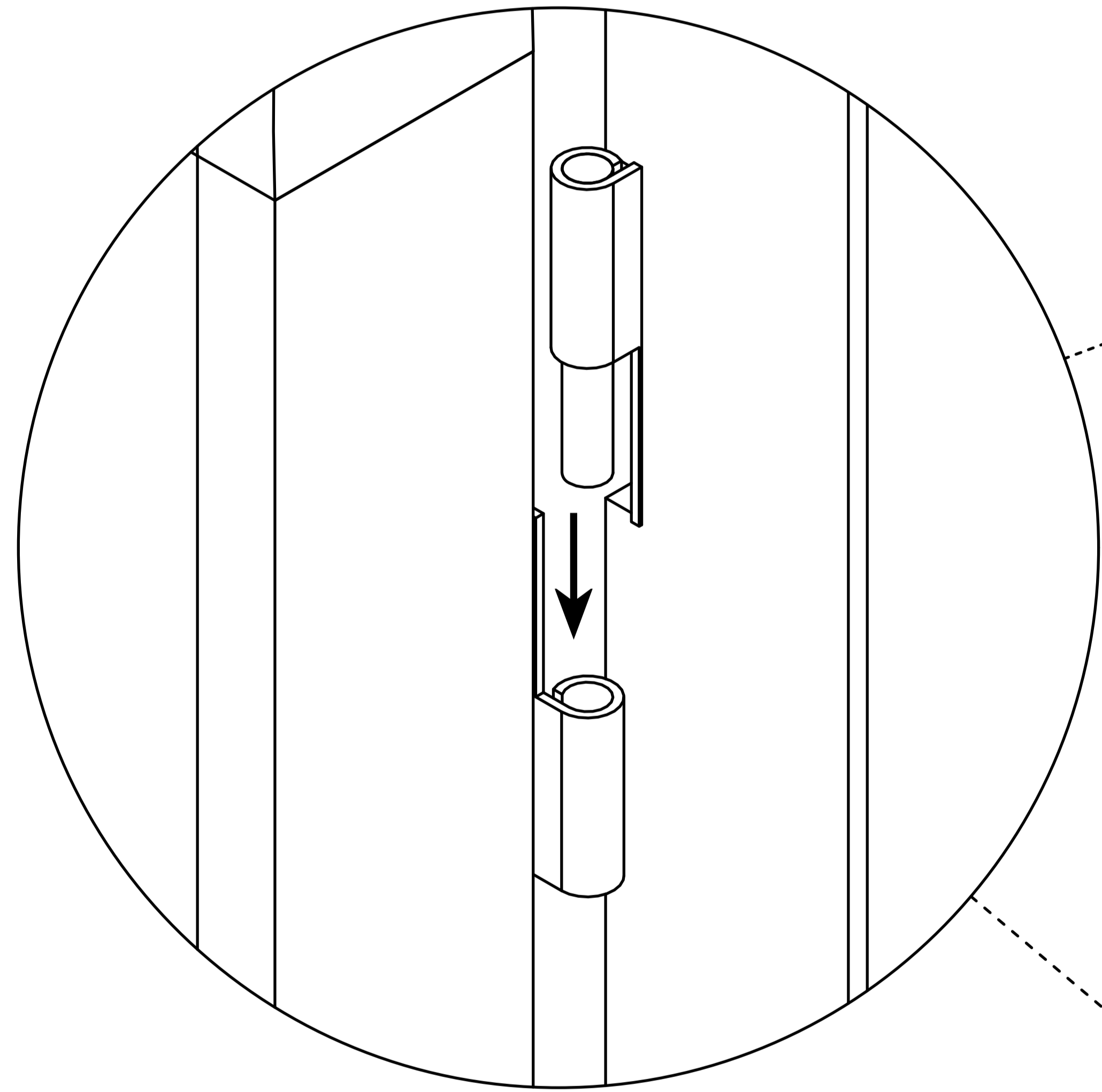
# Step 34

- |      |   |   |     |   |   |
|------|---|---|-----|---|---|
| (11) |  |  | (4) |  |  |
|      | x1  | x2  |     | x2  | x8  |
| (12) |  |  |     |   |   |
|      | x2  | x2  |     |   |   |



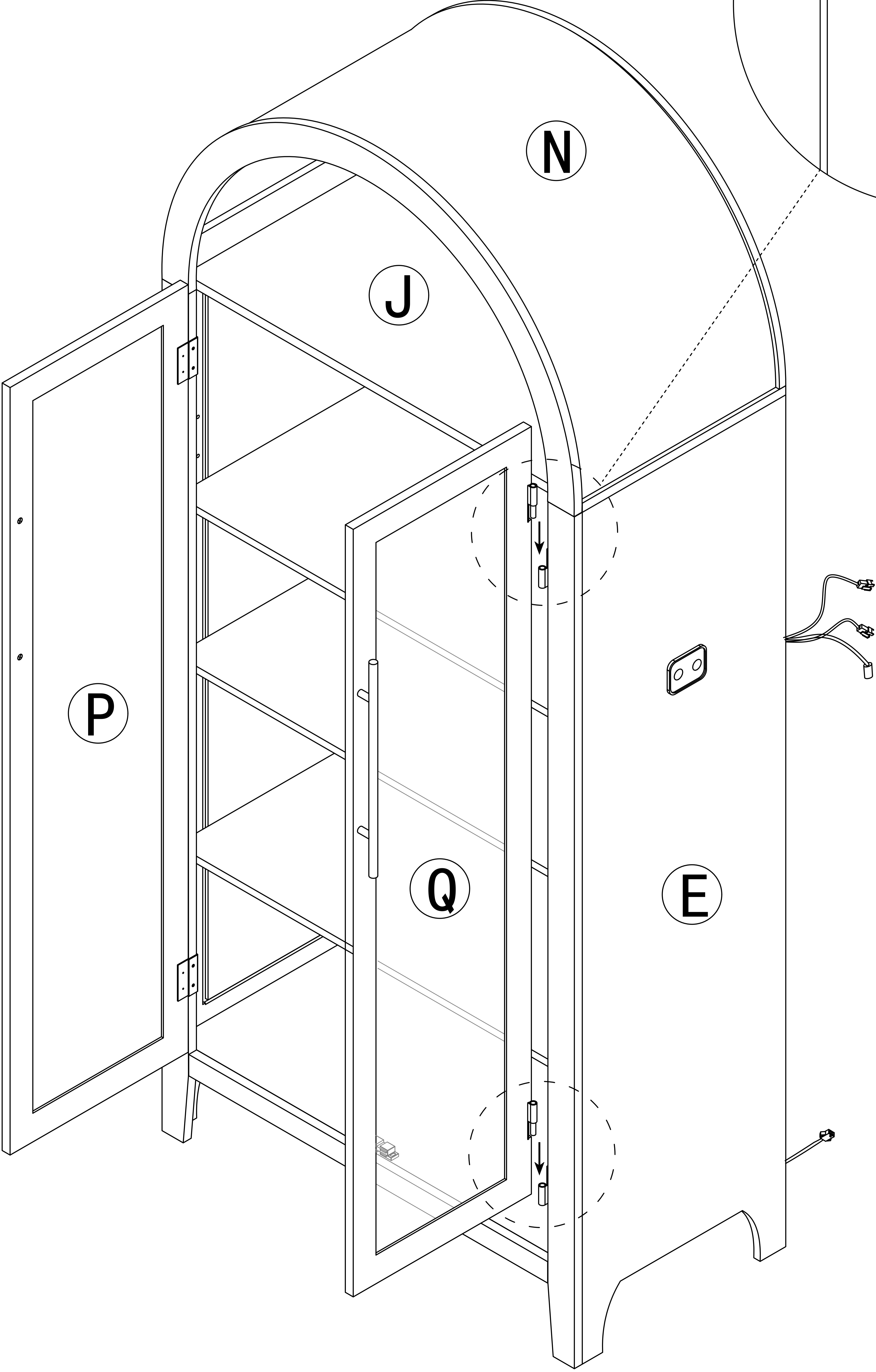
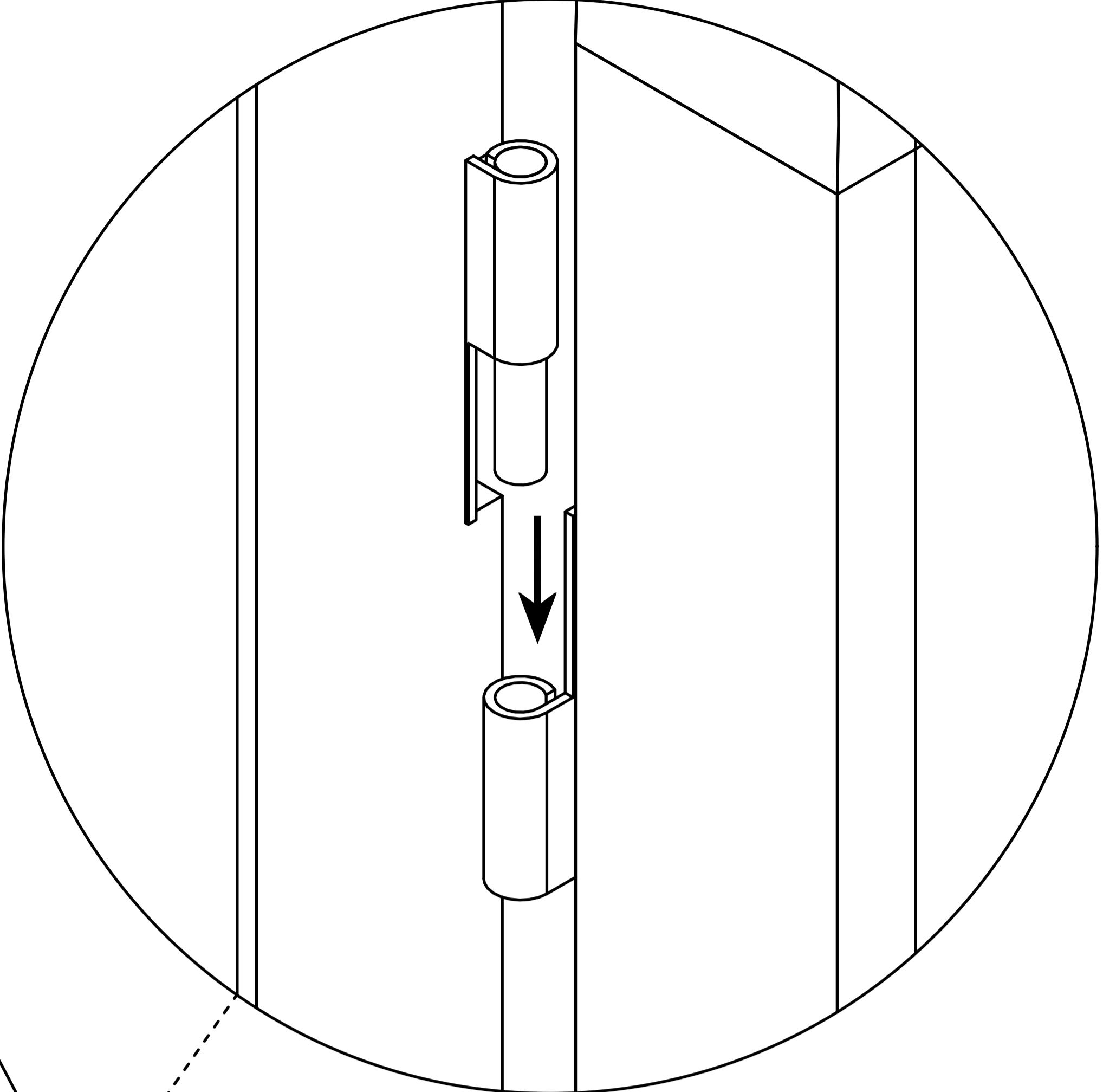
Step 35

Place the door panel into the hinge card slot

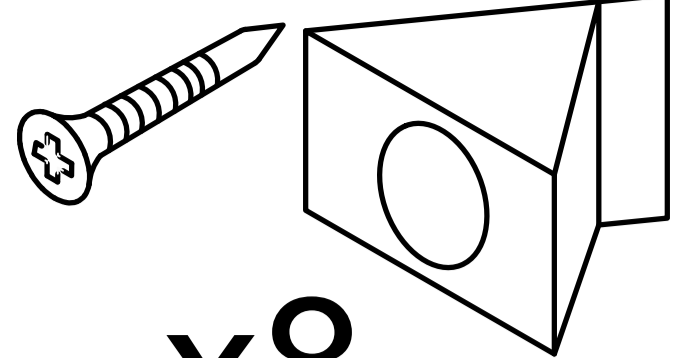


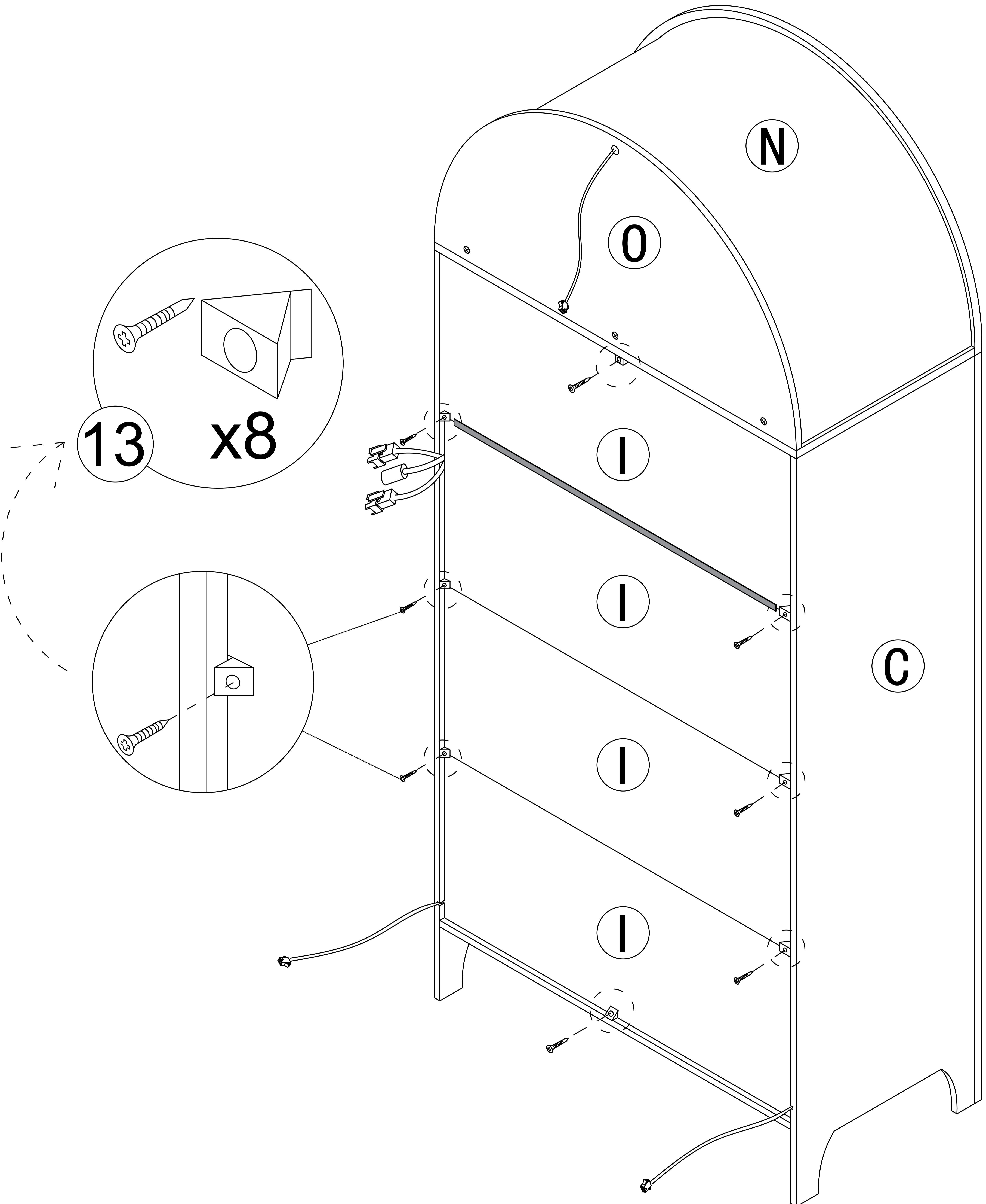
Step 36

Place the door panel into the hinge card slot

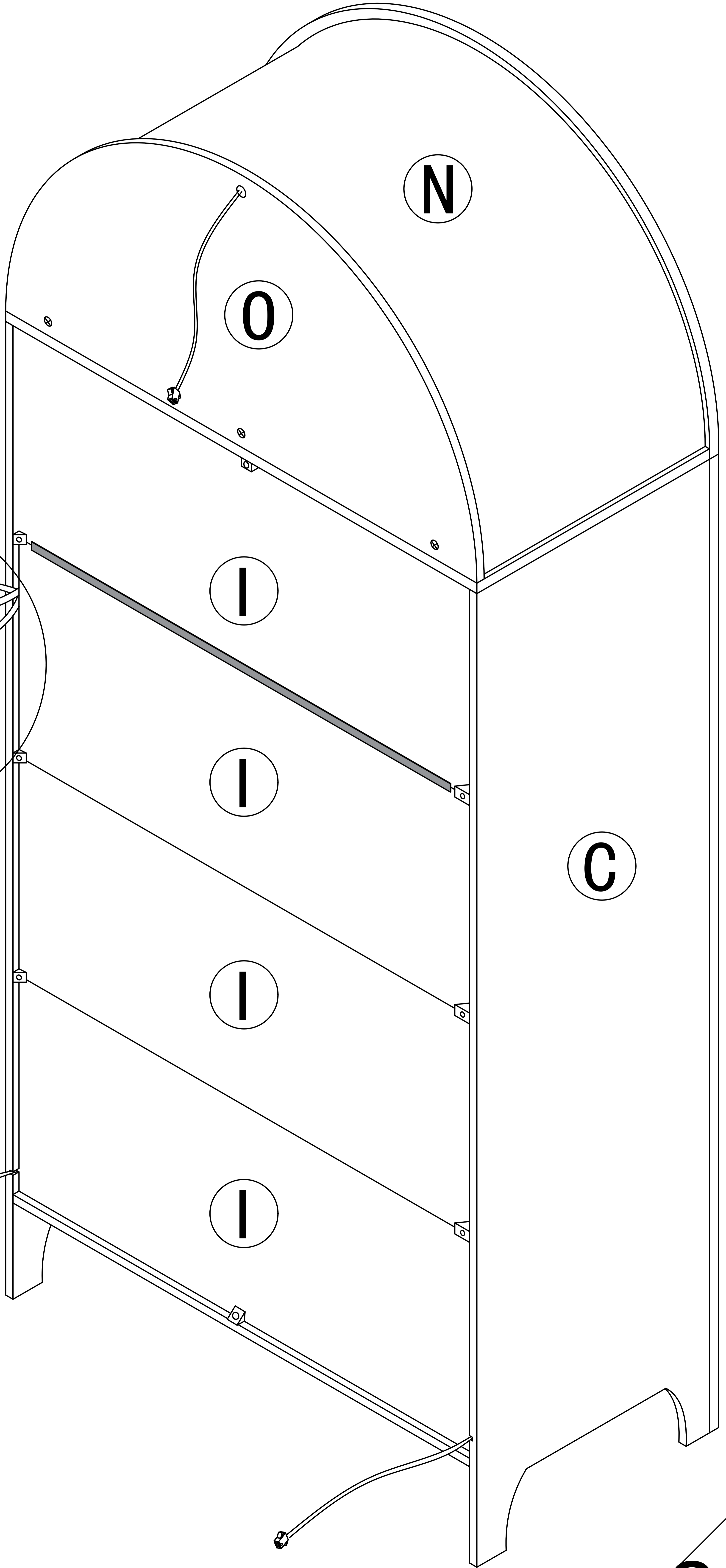
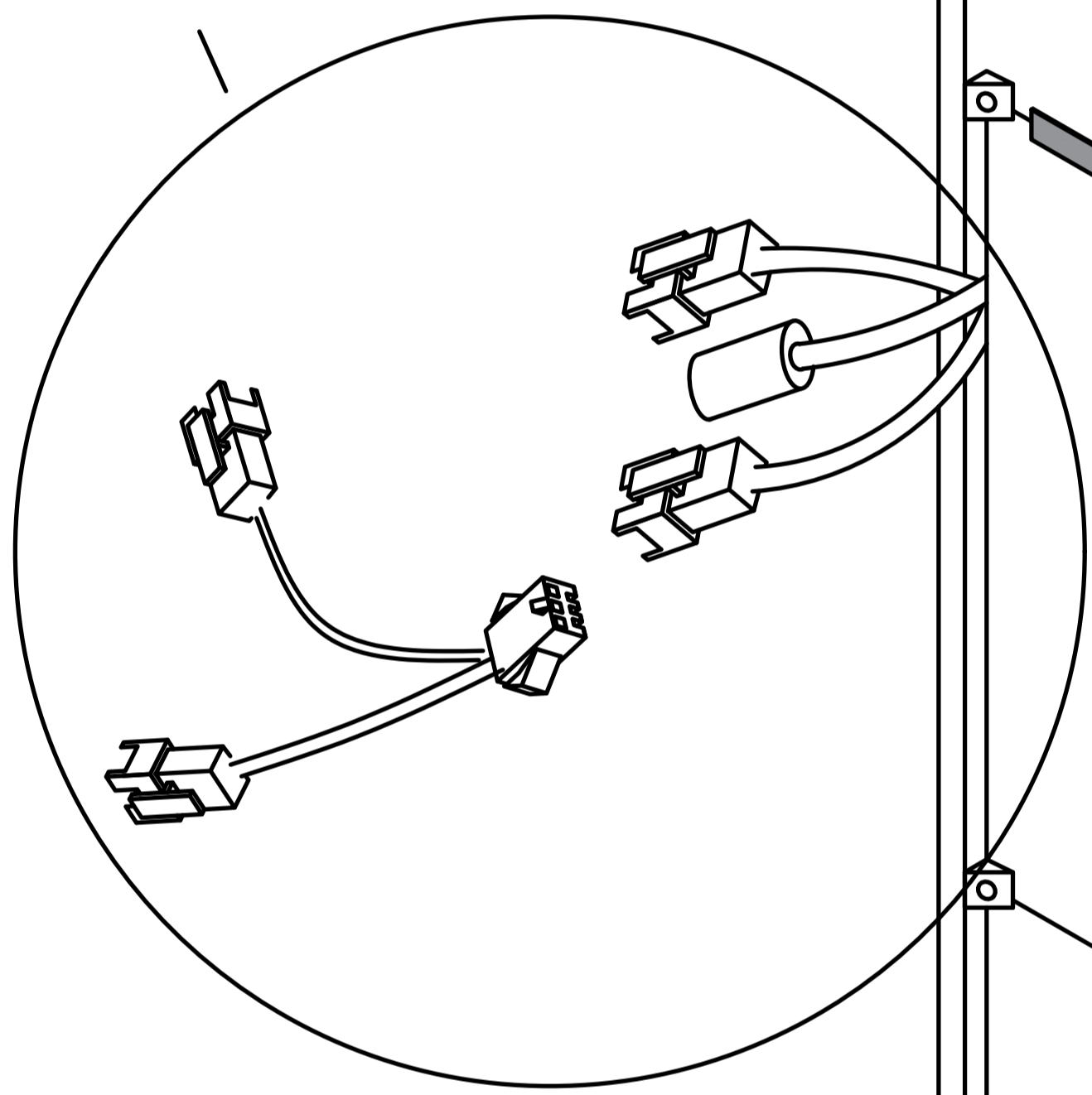
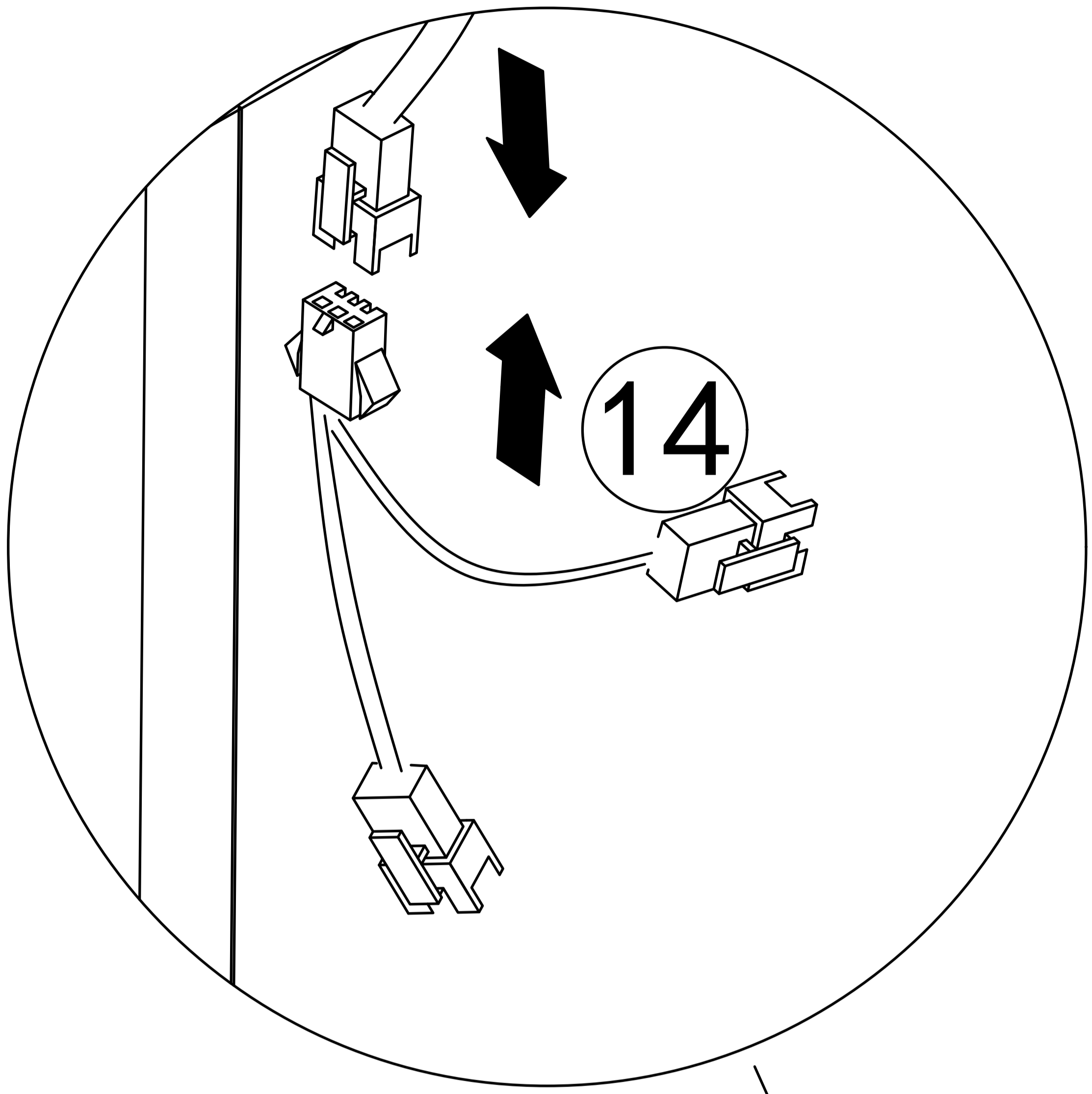
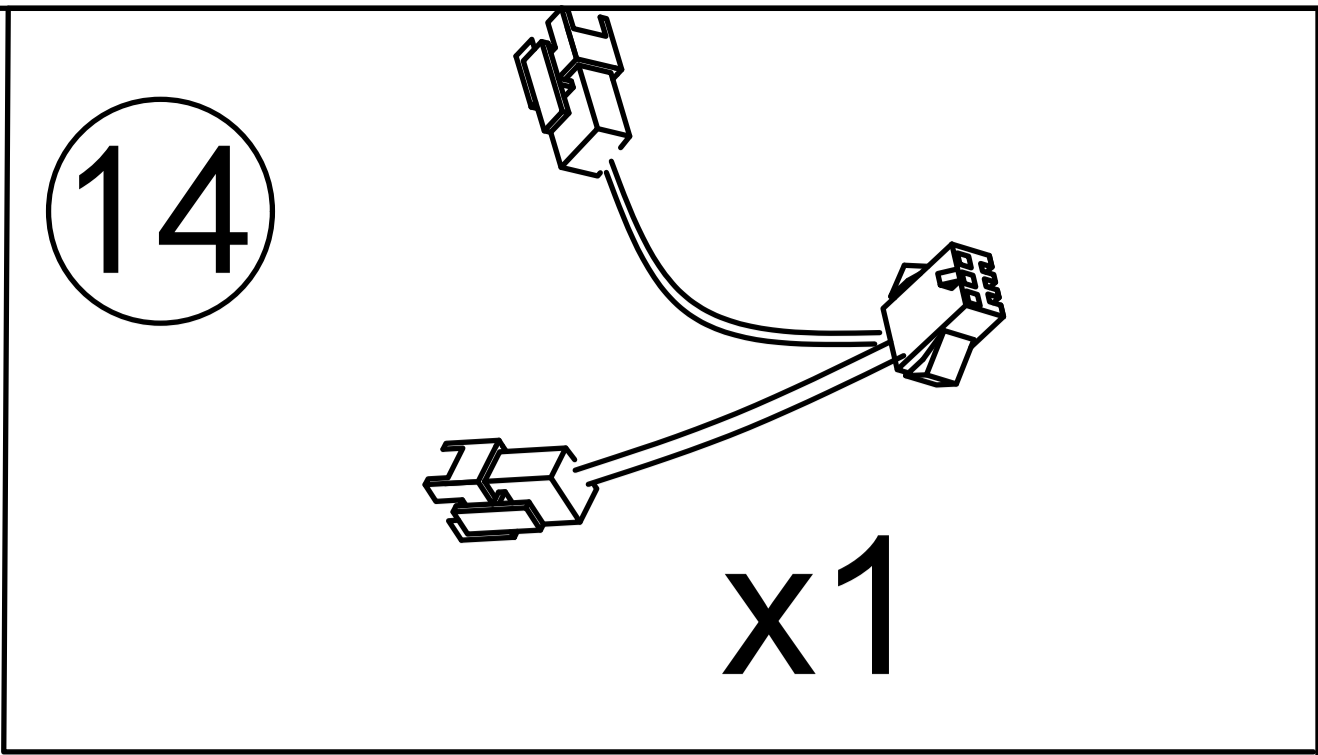


Step 37

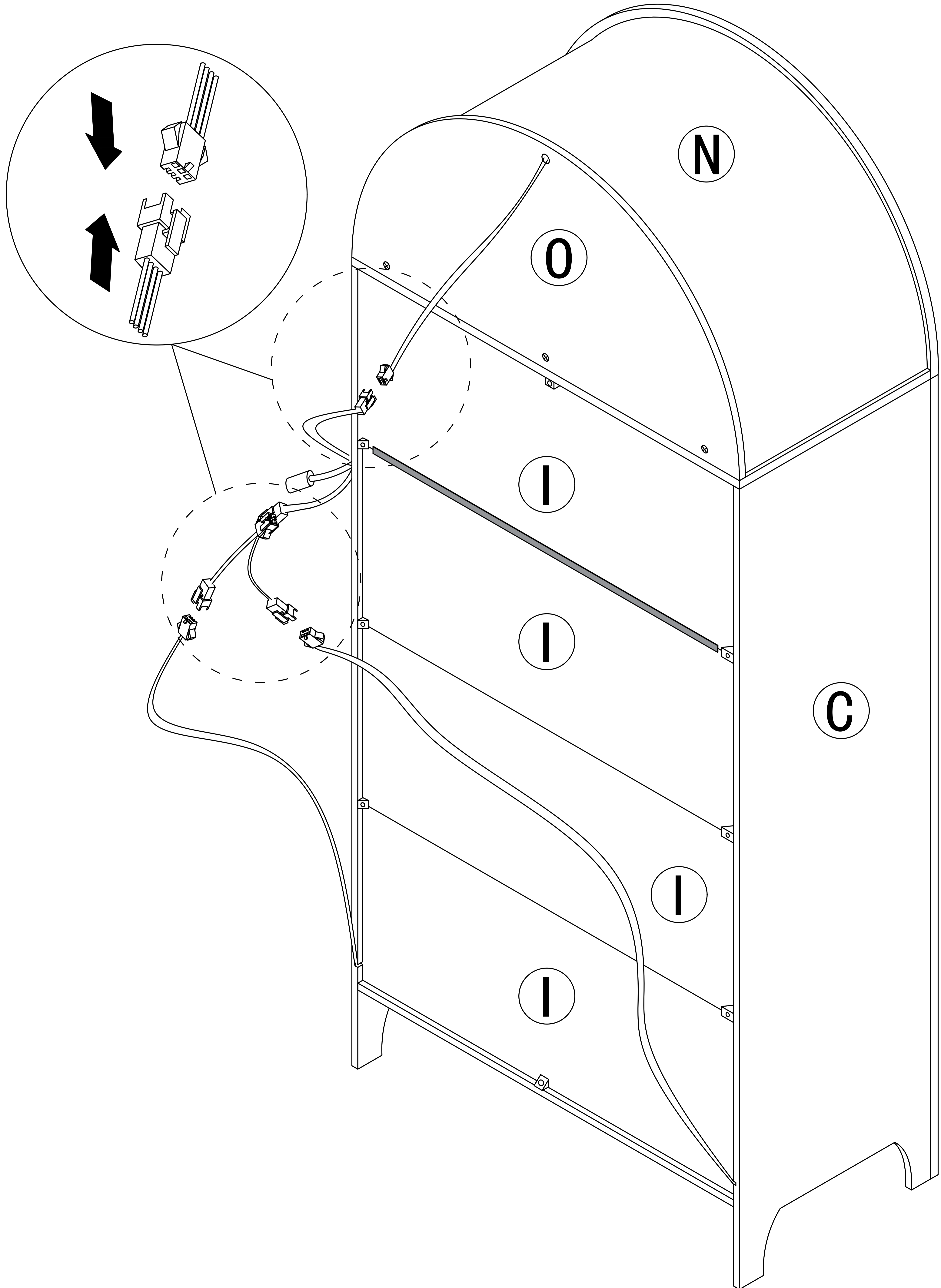
13   
x8



# Step 38

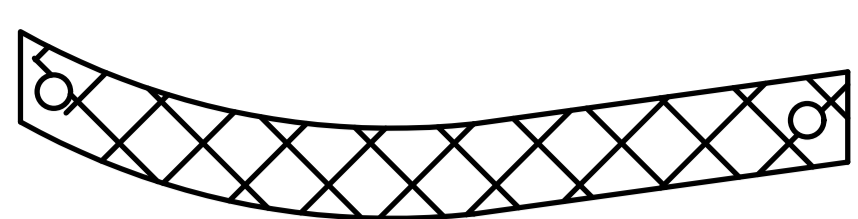


Step 39

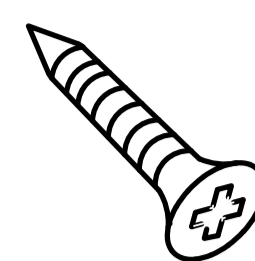


# Step 40

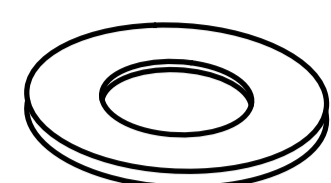
16



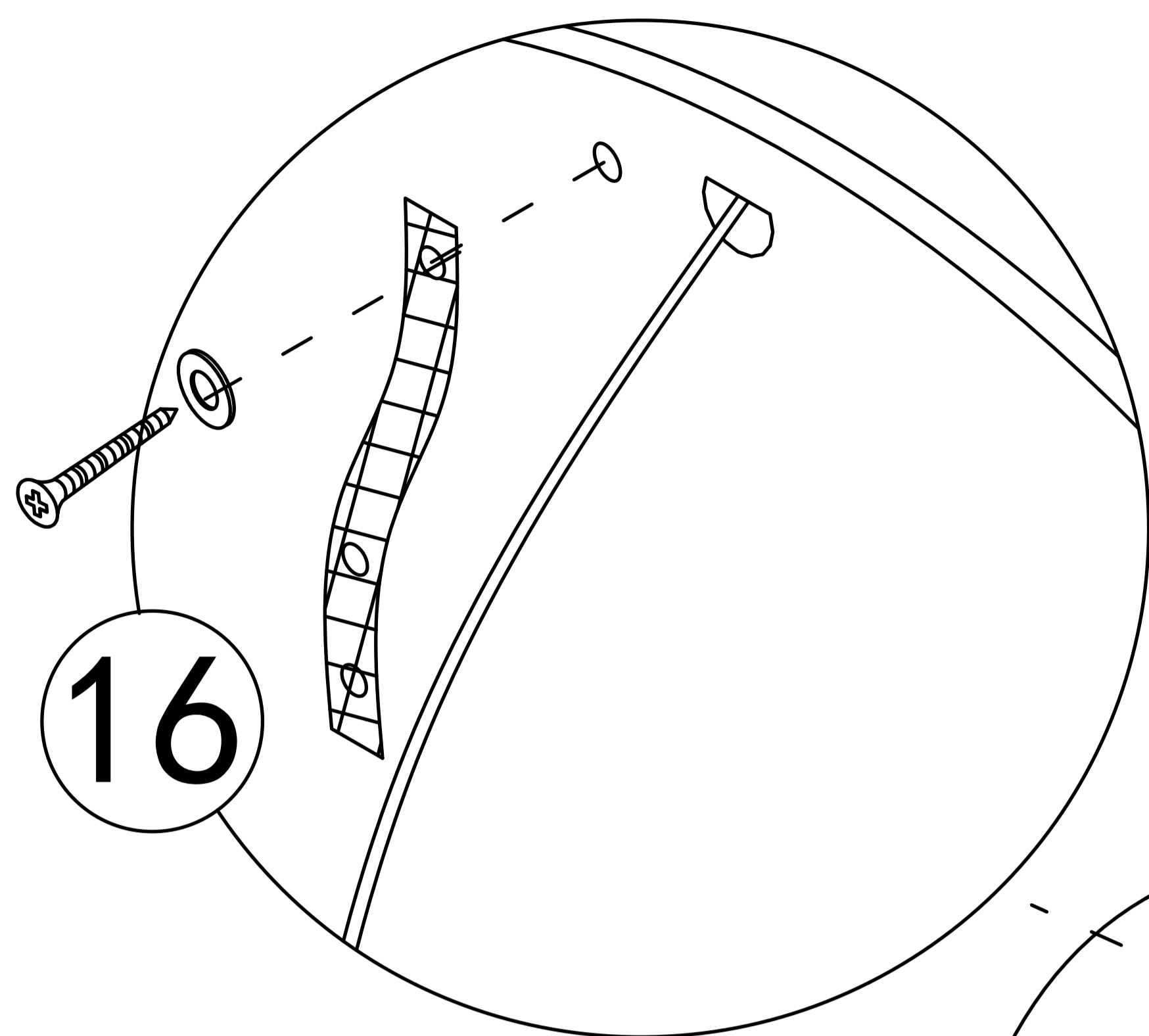
1 pcs



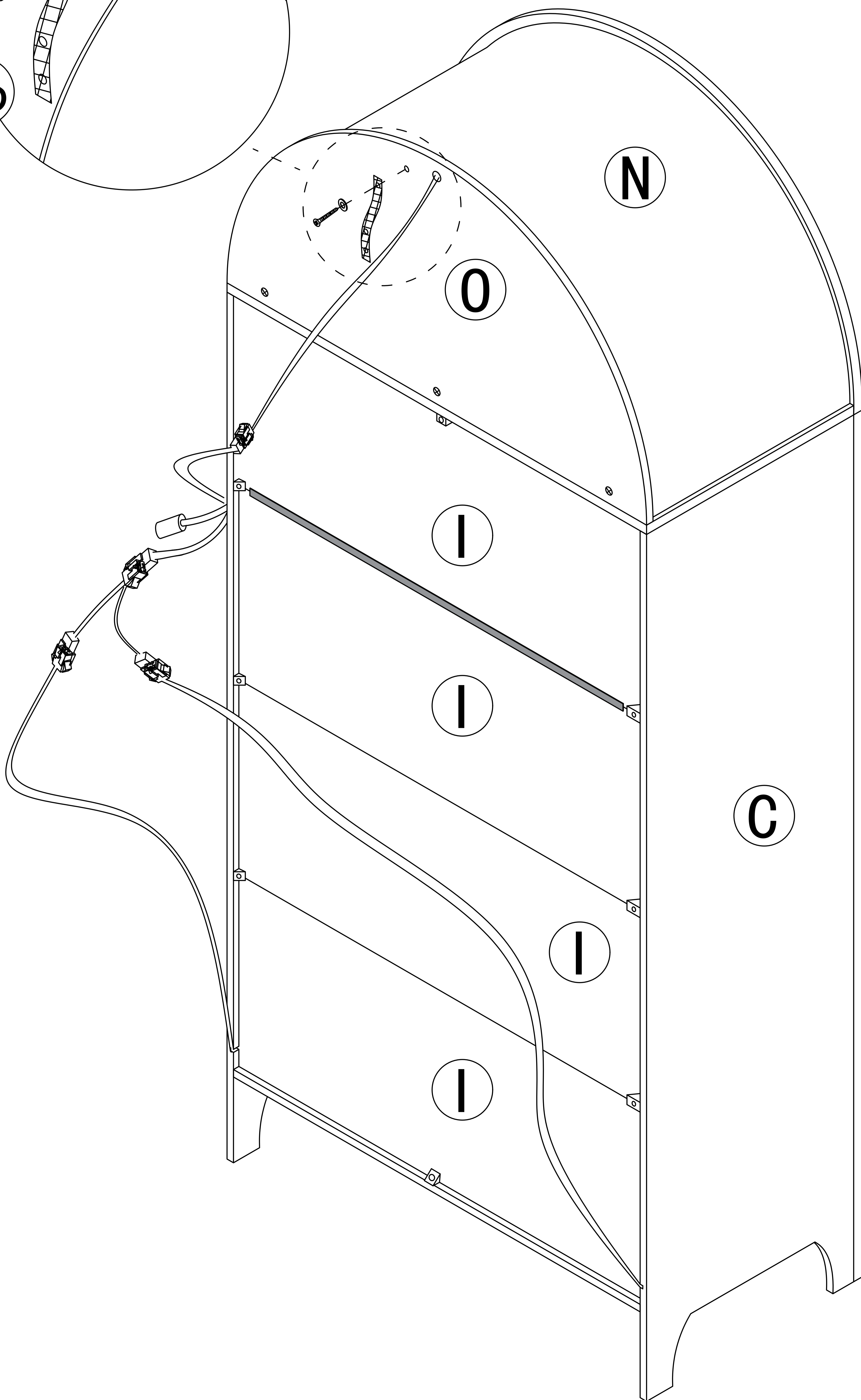
1 pcs



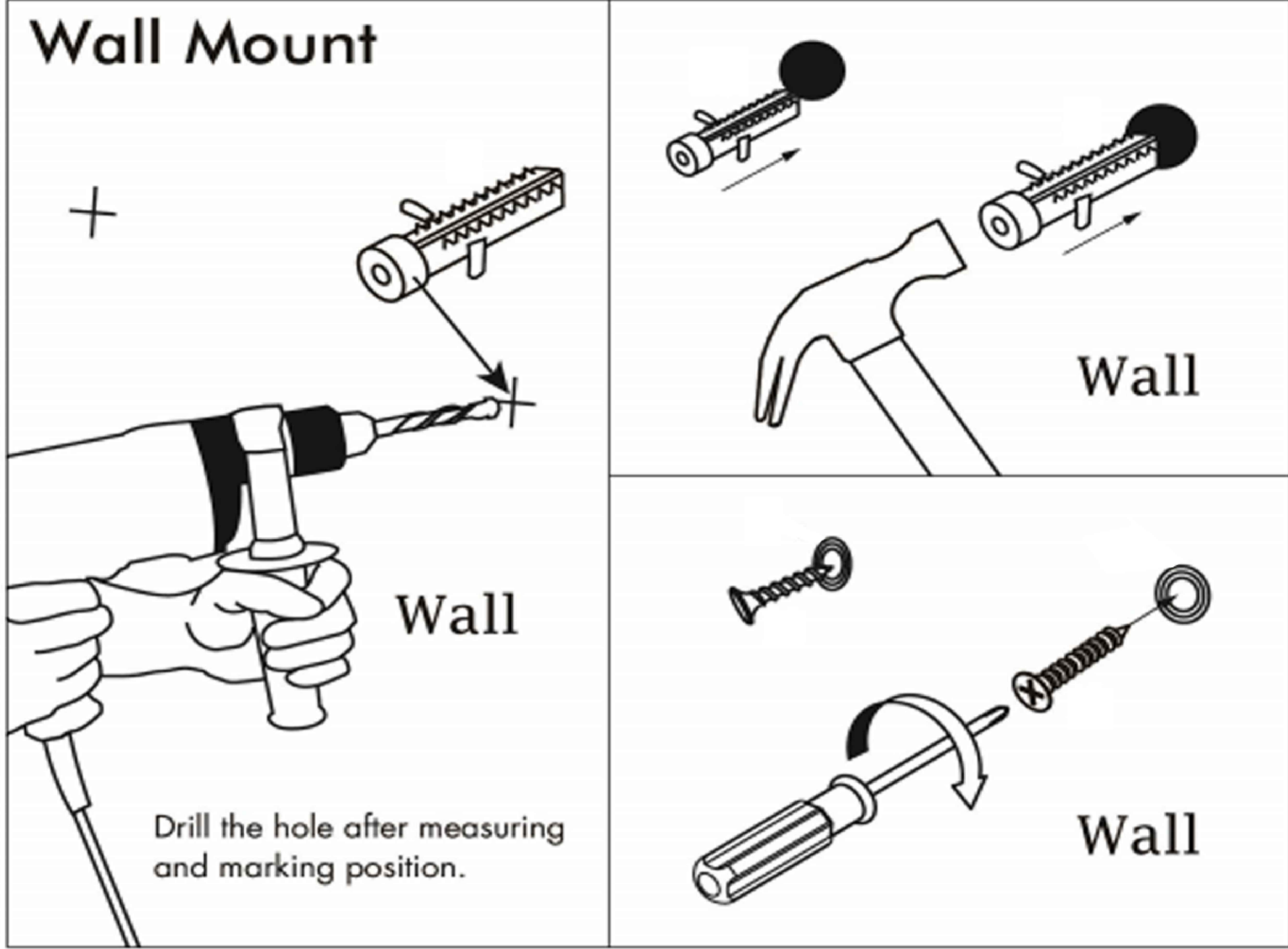
1 pcs



16

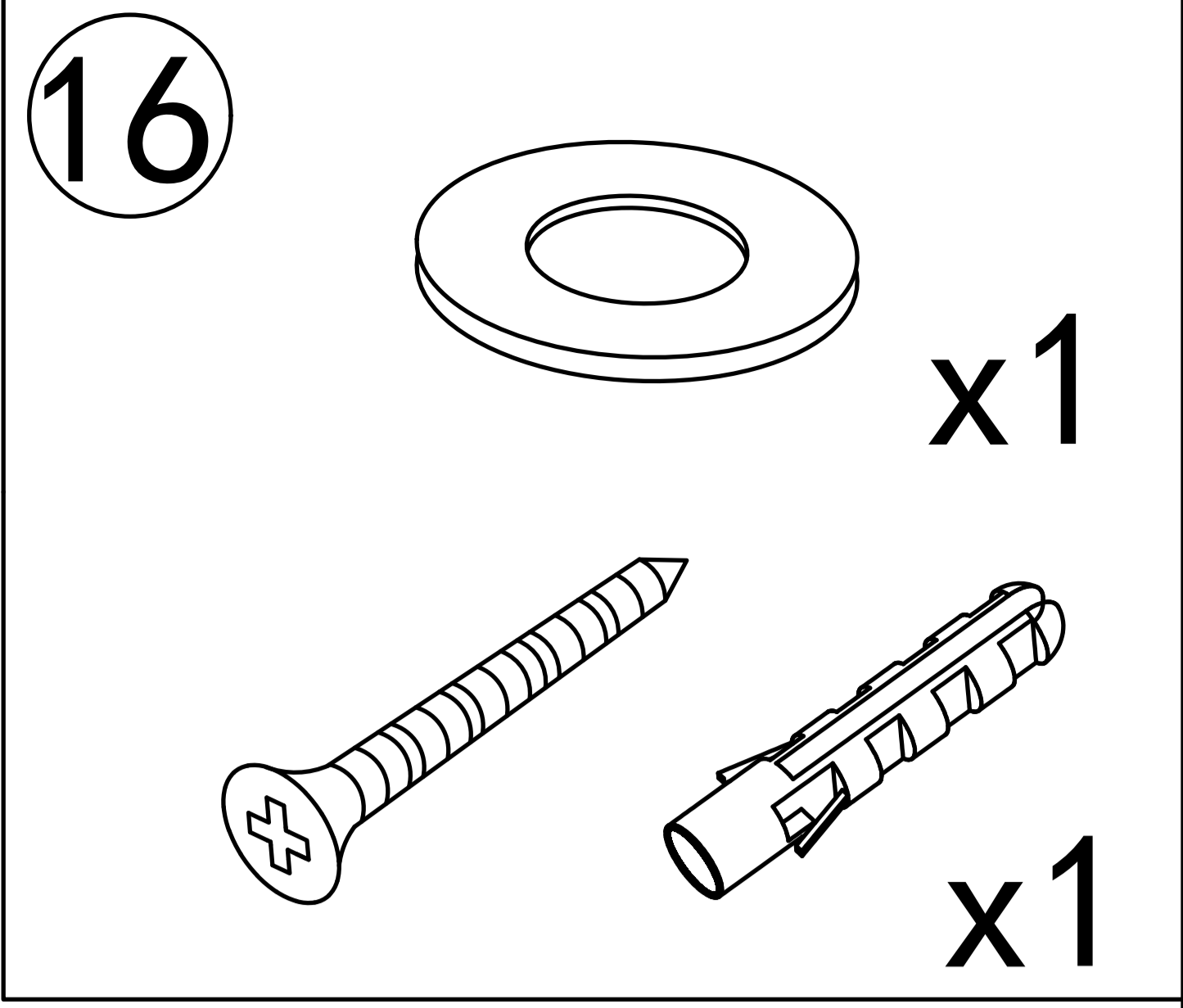


# Step 41



use a ruler to measure the approximate height of the product on the wall, and then mark it with a pencil.

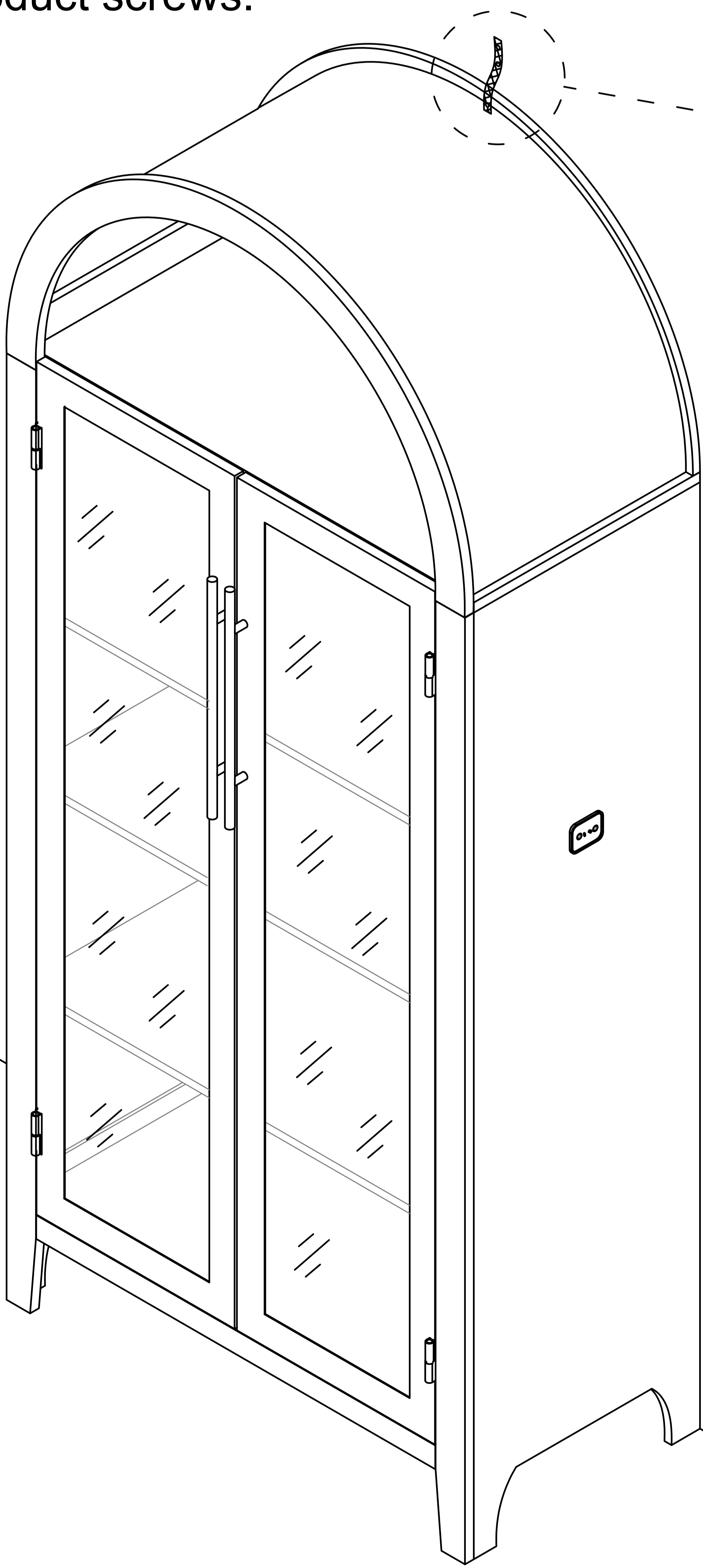
Use a tape drill to make holes in the wall that are suitable for the product screws.



Put the expansion bolt into the hole.

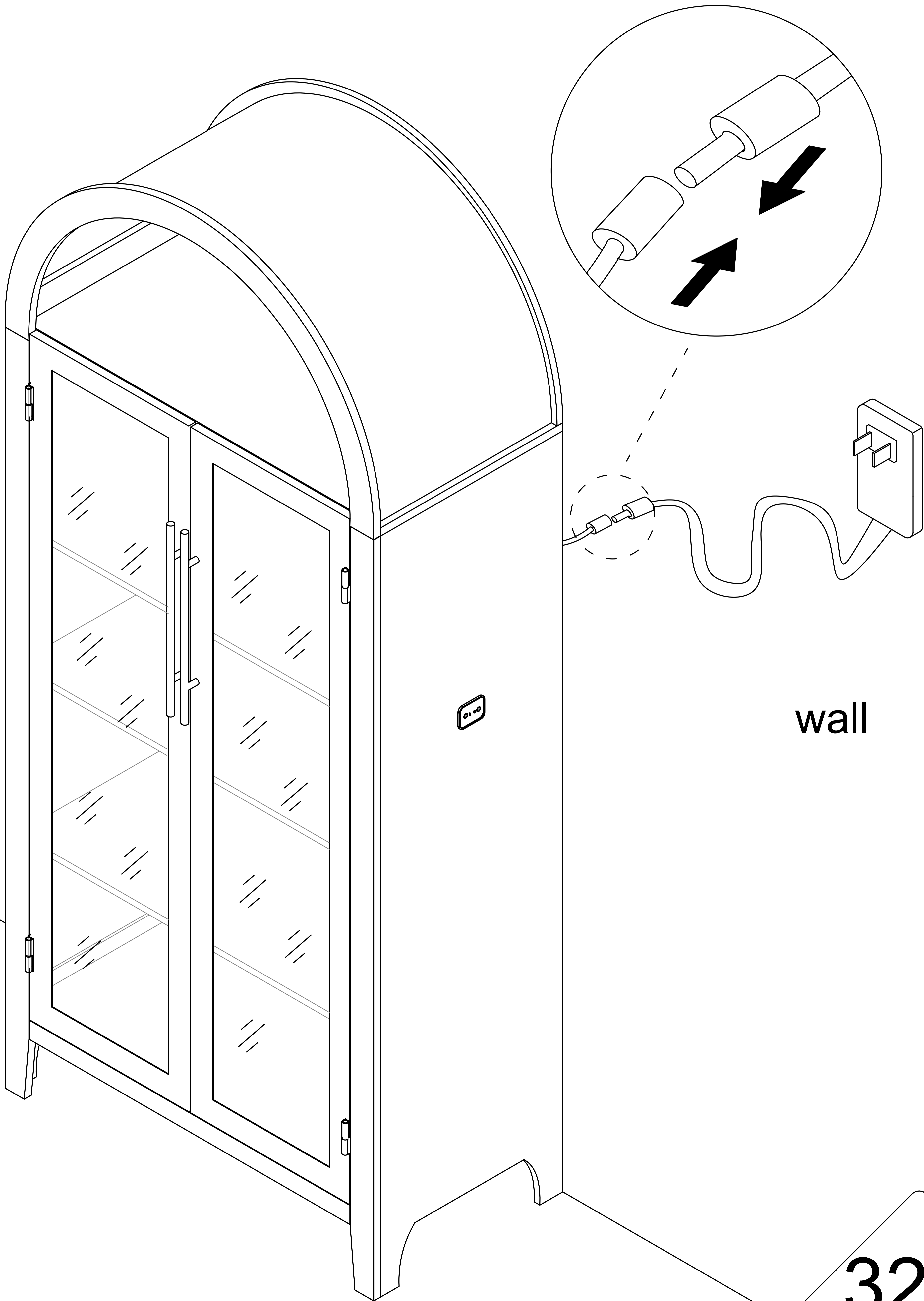
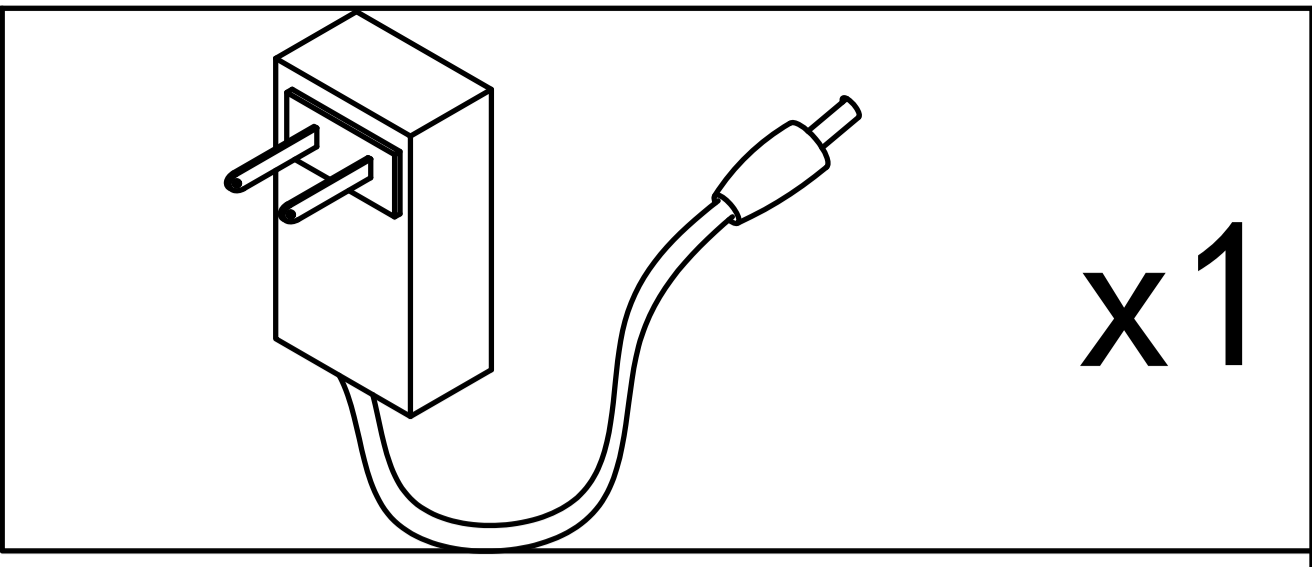
Pass the matching screws through the "anti-rewind" and tighten them to fix them on the wall.

wall



wall

Step 42



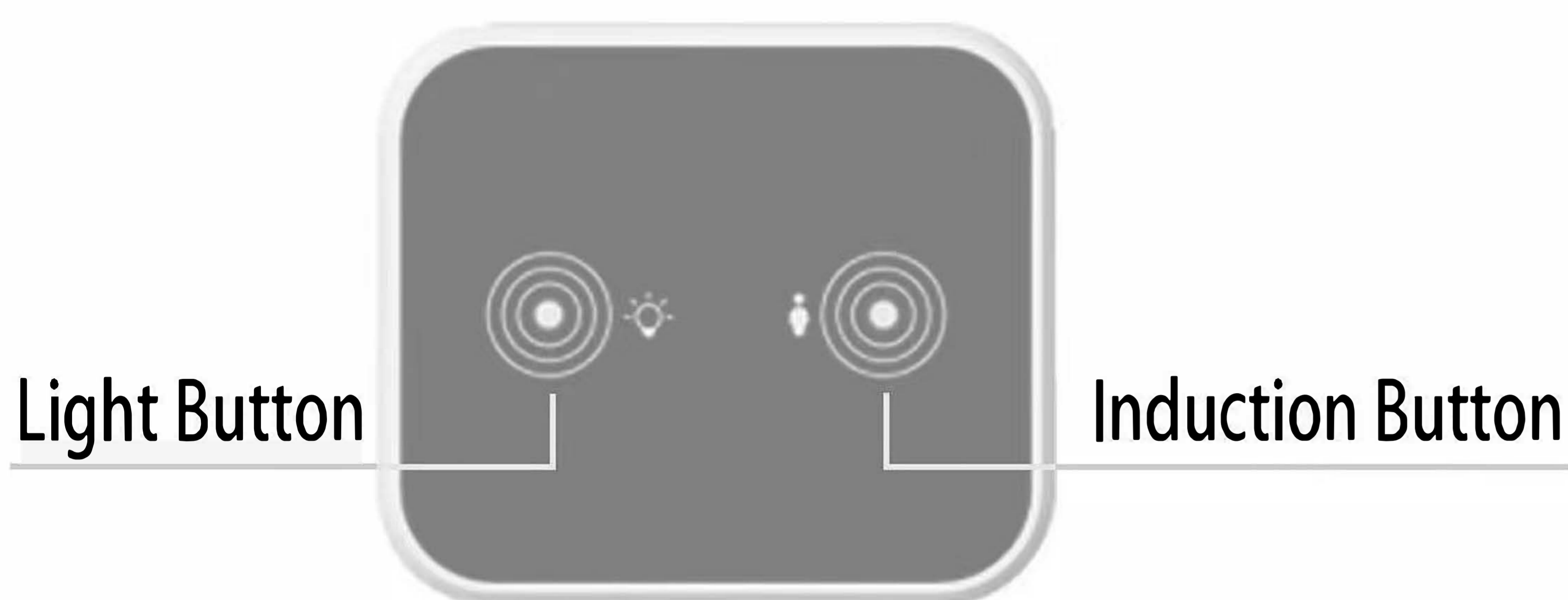
## User's Guide

Thank you for purchasing this product. To use this product, please plug it into a 12V DC power supply. Please use if the product works normally after connecting to power.

## Introduction

The box is an intelligent controller with 2 touch buttons. It can turn ON/OFF the light, change light colors, and adjust the light luminance.

## Product Show



### ATTENTION PLEASE

1. If there is no touch response suddenly, Re-plug the power to reset the touch static electricity.
2. If bubbles appear on the panel, remove the protective film.

## Operation



This touch button is used to turn on/off, change colors, and adjust brightness.

A. Short touch -> lighting on -> short touch -> change light color -> short touch -> change light color -> short touch -> lighting off. B. Long touch -> adjust the luminance



This touch button is used to turn on/off the induction function.

A. Short touch to turn on the induction function. It can auto-turn on the light when people are close to the controller in 1 meters. It can auto power off the light when the body is far away from the controller after 30 seconds.

B. Long touch to turn off the induction function.

C. Note: When you touch the light button to change the light modes, the induction function will automatically turn off. It is best to turn on this function after selecting the light color and adjusting the brightness you want.