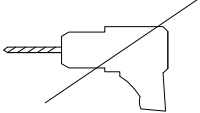

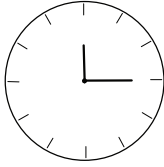
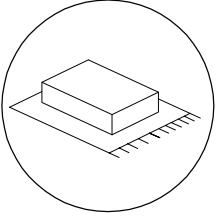
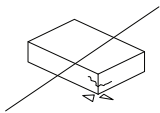

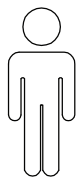
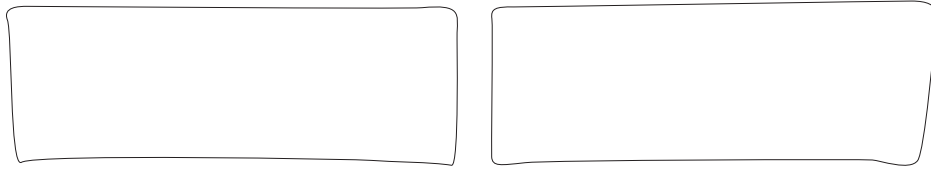


| | | |
|--|---|---|
|  A line drawing of a power drill with a diagonal slash through it, indicating that power tools should not be used. |  |  |
|   Two line drawings of a power saw. The first shows the saw on a surface with a diagonal slash through it. The second shows the saw cutting into a surface with a diagonal slash through it. |  |  |

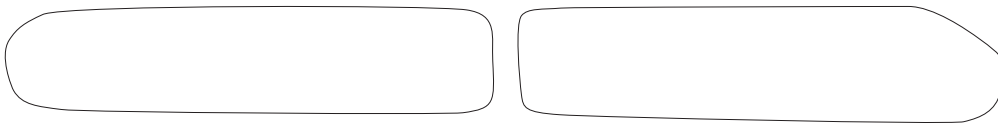
15'

2

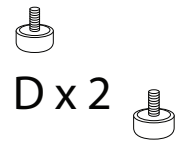
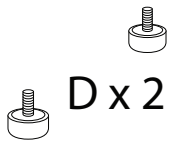
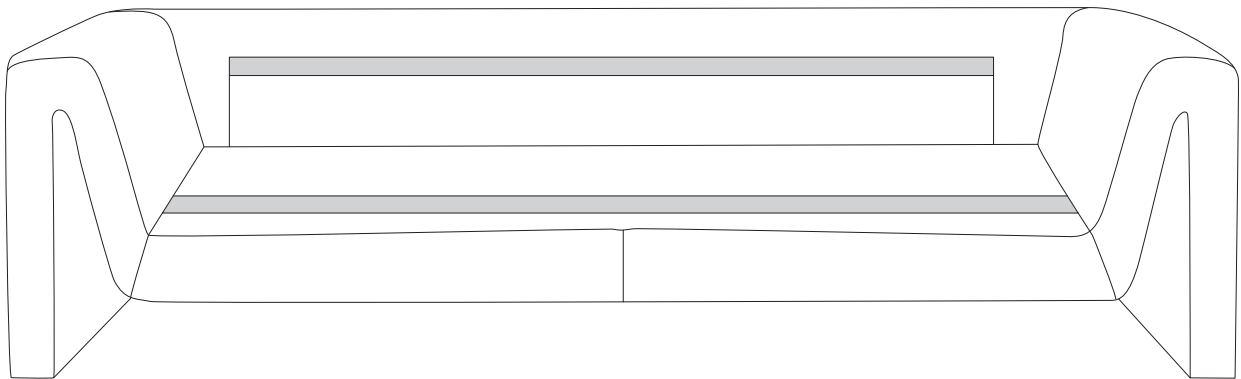
B x 2



C x 2

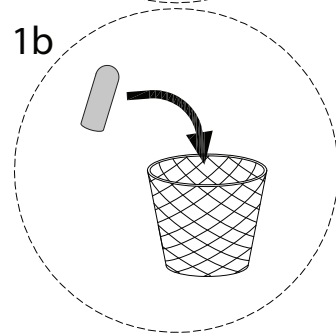
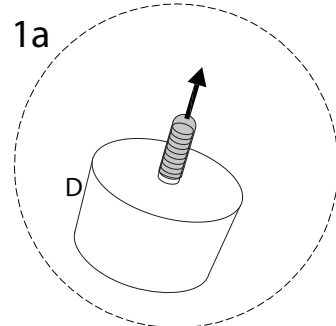
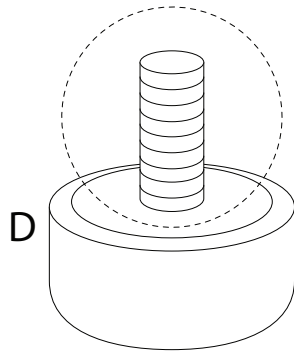


A

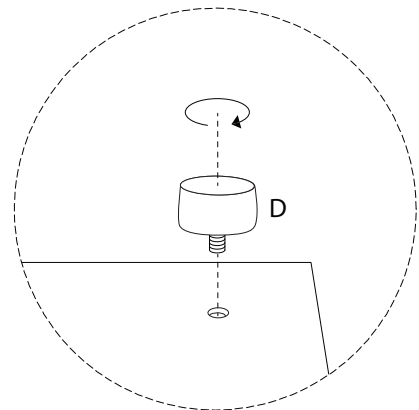
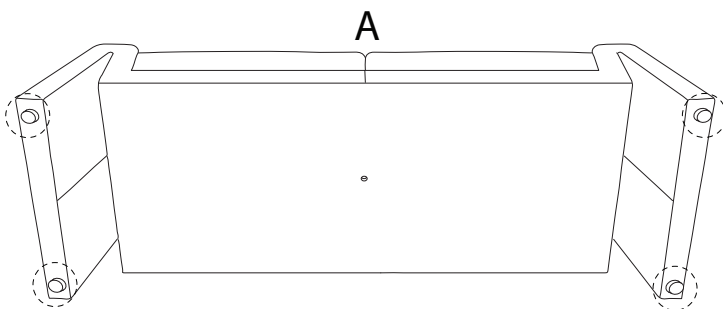
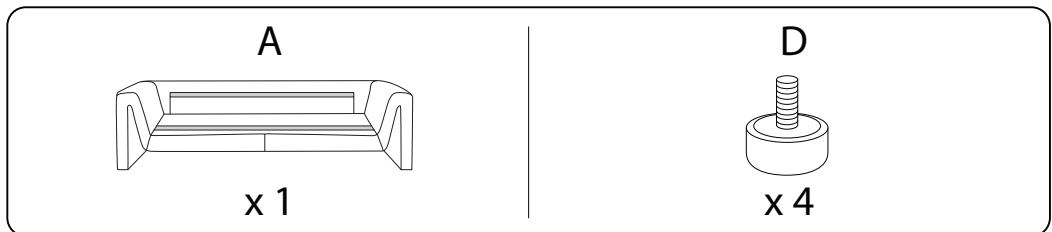


| A | B | C | D | E |
|-----|-----|-----|-----|-----|
| | | | | |
| x 1 | x 2 | x 2 | x 4 | x 1 |

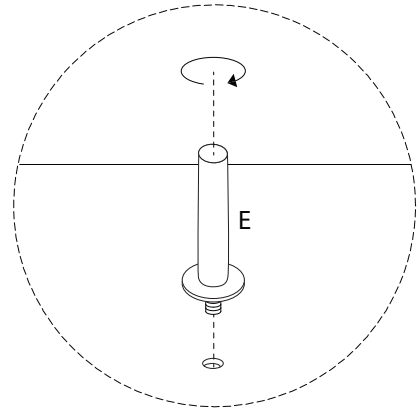
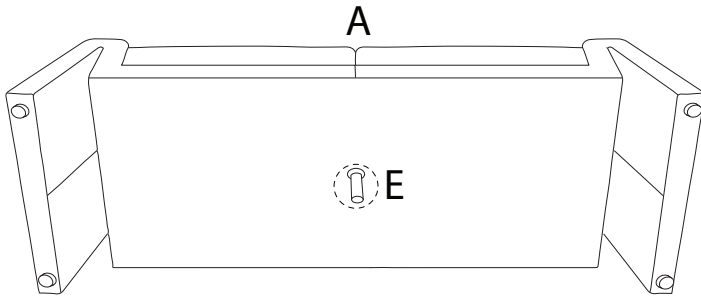
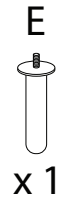
!



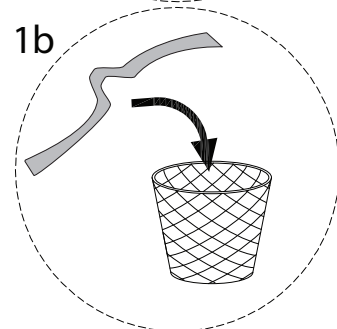
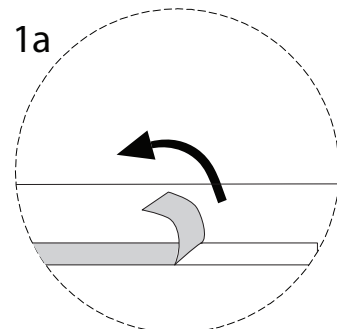
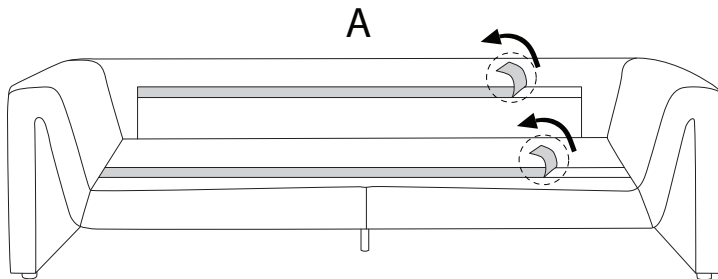
1



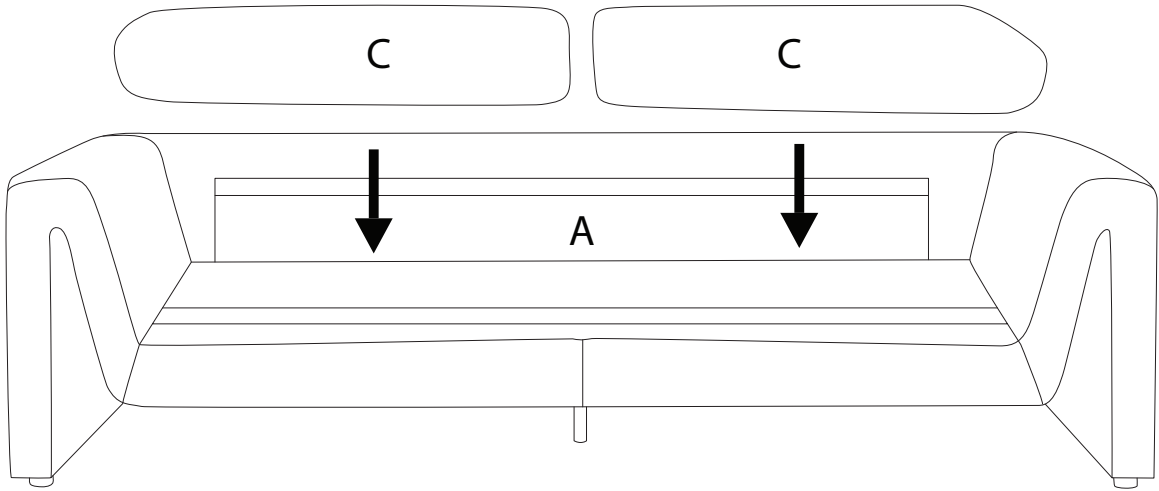
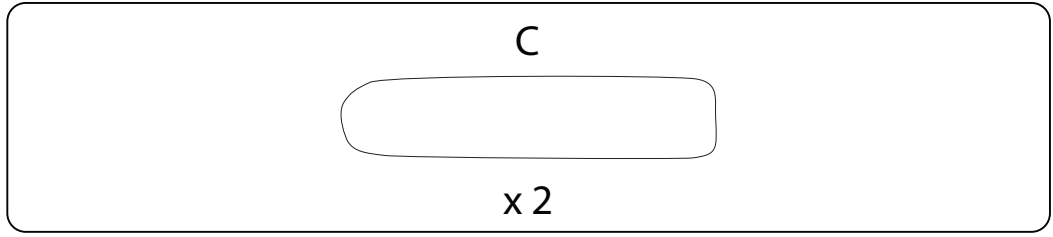
2



!



3



4

