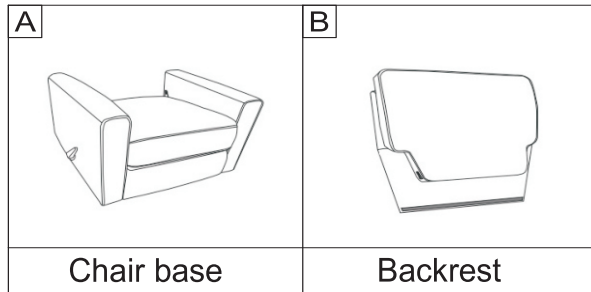


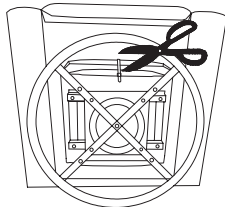
4

1

Assembly Instruction

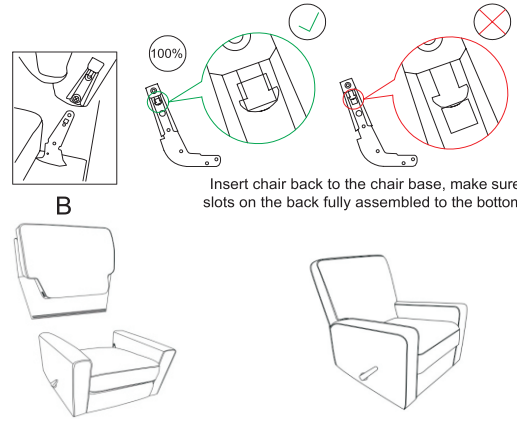


STEP1



Cut the cable ties on the iron frame with scissors before use

STEP2

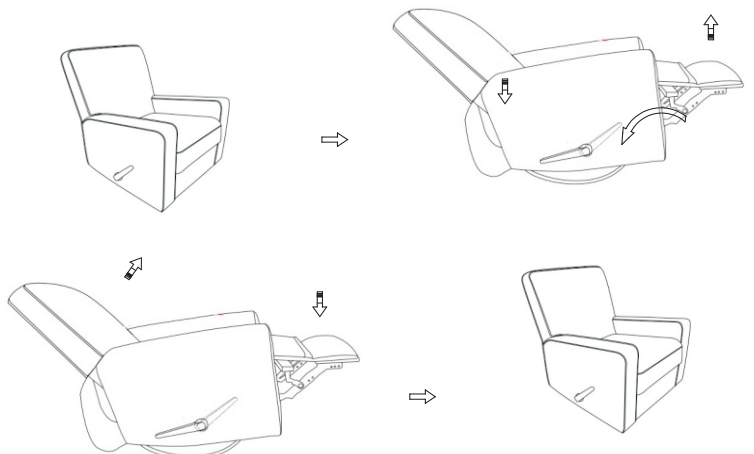


Insert chair back to the chair base, make sure the slots on the back fully assembled to the bottom part

A

B

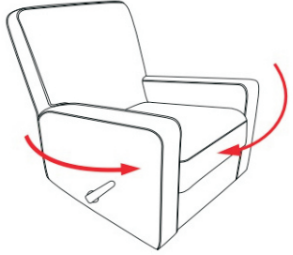
1



To return the footrest to the closed position and the back cushion to an upright position, sit upright and apply more weight to the footrest

SIT **TV POSITION** **FULL RECLINE**

While seated in the recliner, enjoy the 360 degree swivel feature.



2

2

3