

ASSEMBLY INSTRUCTIONS

SIE2381-354 ROUND TABLE

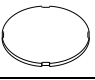

Thank you for purchasing this quality product. Before assembly, please check the packing material carefully for small parts which may have come loose inside the carton during shipping. Please do not discard any packing material until all parts have been located. If any parts are missing, please contact your dealer for prompt replacement.




Caution: (1) These parts are cumbersome and heavy. This product can best be assembled with the assistance of one or more persons in order to prevent personal injury and to ensure parts are not damaged during the assembly process. If dirty, clean finished parts with mild dishwashing liquid and water solution applied on damp cloth. Cloth should not be excessively wet. Polish finish with soft cloth and an industry recognized furniture polish.

(2) To prevent damage to your floor or carpet, please check the bottom of each piece of furniture for stain residue and rough surfaces and also check for staples or nails left after removing the packaging material. The manufacturer will not be held responsible if preventative steps are not taken prior to installation.

(3) During normal use every day, screws, bolts, nuts and wooden plugs may loosen up. They should be periodically inspected and re-tightened to prevent damage to the furniture and (or) personal property or cause injury. Always check to be sure all hardware on this list and the below mentioned components are attached to the furniture properly and kept tightened.

Parts & Hardware List:

NO	PARTS LIST	QTY.
A	TABLE TOP 	1 PC
B	LEG 	4 PCS

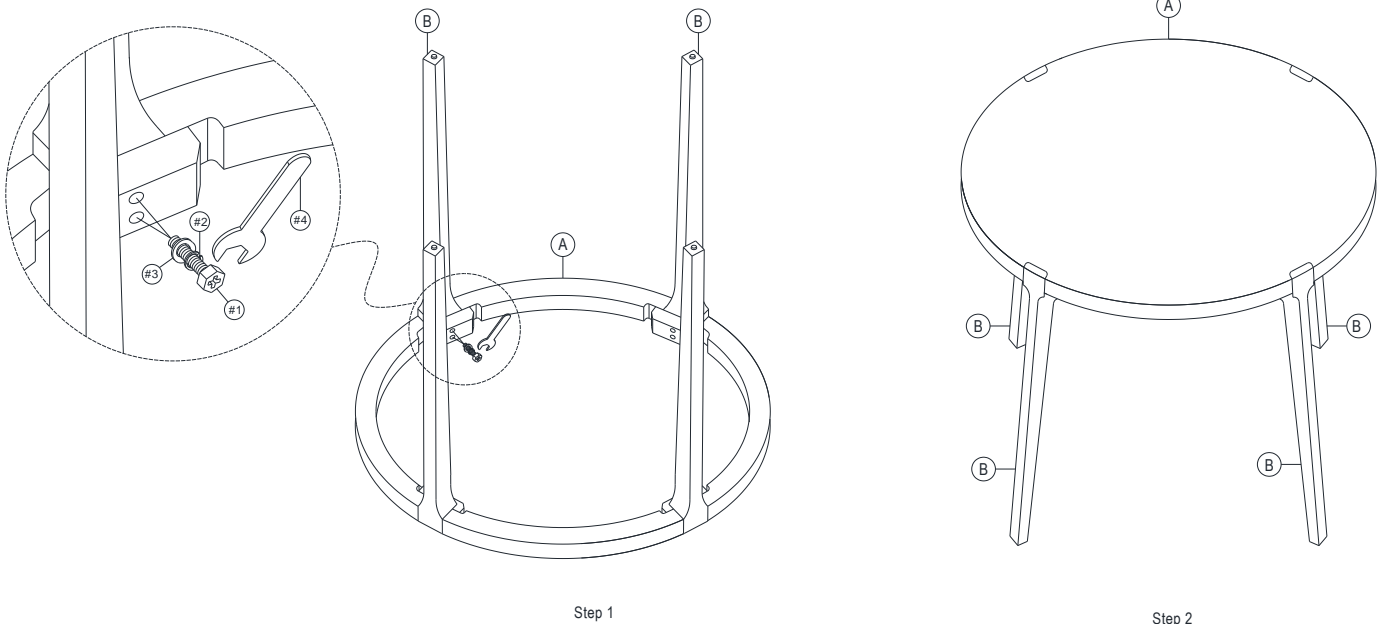
NO.	HARDWARE LIST	QTY.	NO.	HARDWARE LIST	QTY.
#1	HEX HEAD BOLT  2-1/2"L X 5/16"	8 PCS	#2	LOCK WASHER  5/16"	8 PCS
	#3			FLAT WASHER  5/16" X 23mm	

Assembly Procedures:

Tools required: Wrench #3 (see hardware list).

****NOTE:** First read the table leveling instructions. This is an additional assembly sheet found inside the carton.

Place all table parts on a clean, cushioned area



Step 1: Assemble the leg (B) to the Table Top (A) using hardware (#1, #2, #3, & #4.) as shown.

Step 2: Turn the table its upright position. Assembly is complete.

**** NOTE:** Do not tighten all the bolts until the table is on a flat surface to adjust & level all the legs so that they do not wobble. Once adjusted then tighten all the bolts. Do not over tighten.