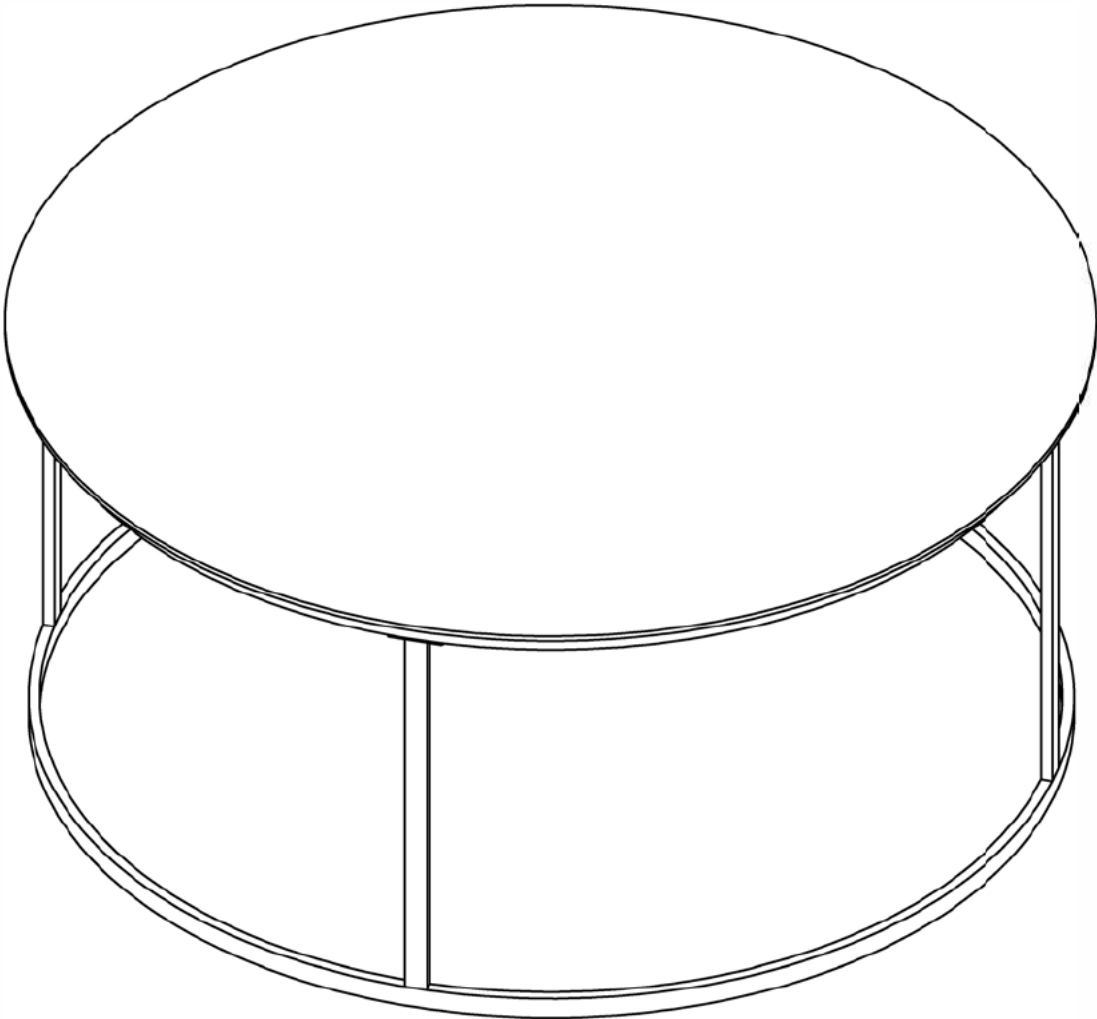
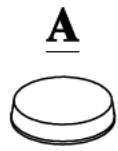
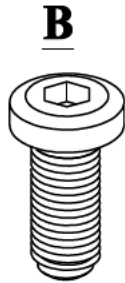


**ROUND COFFEE TABLE**  
ASSEMBLY INSTRUCTIONS

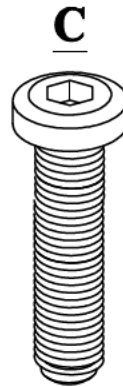




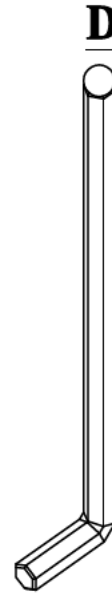
**4 PCS**



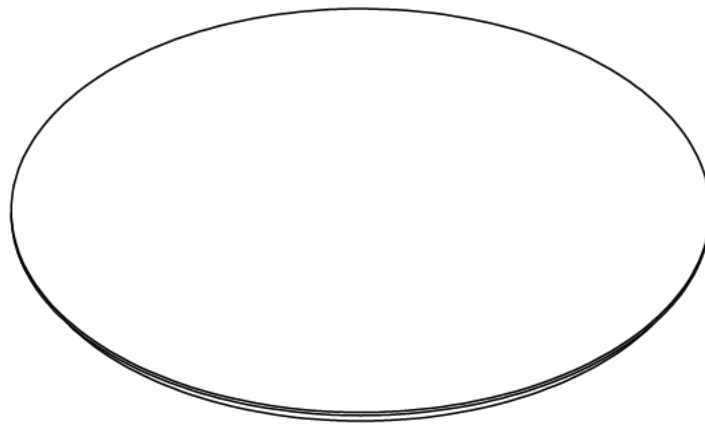
**M6\*16  
8 PCS**



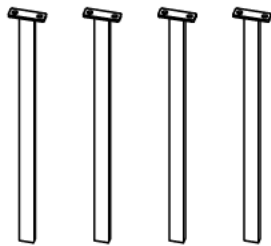
**M6\*35  
4 PCS**



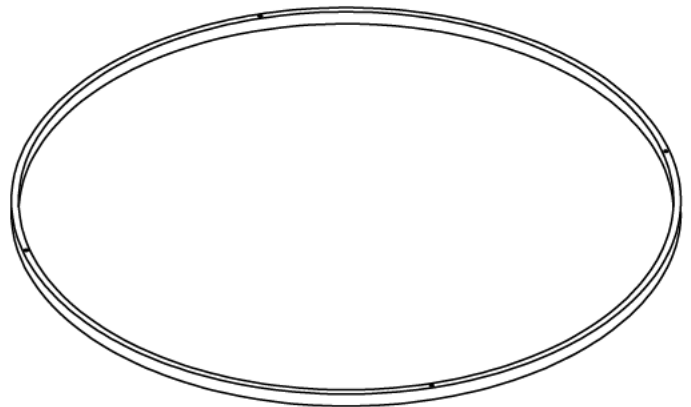
**1PC**



**1**

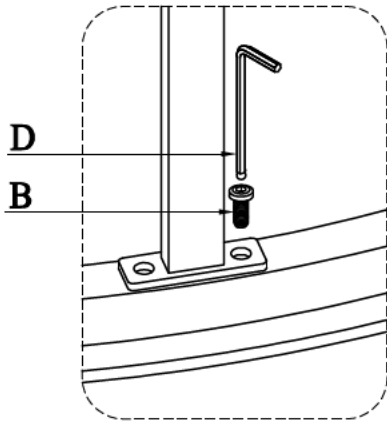
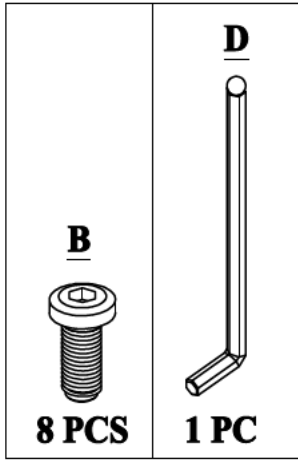


**2**

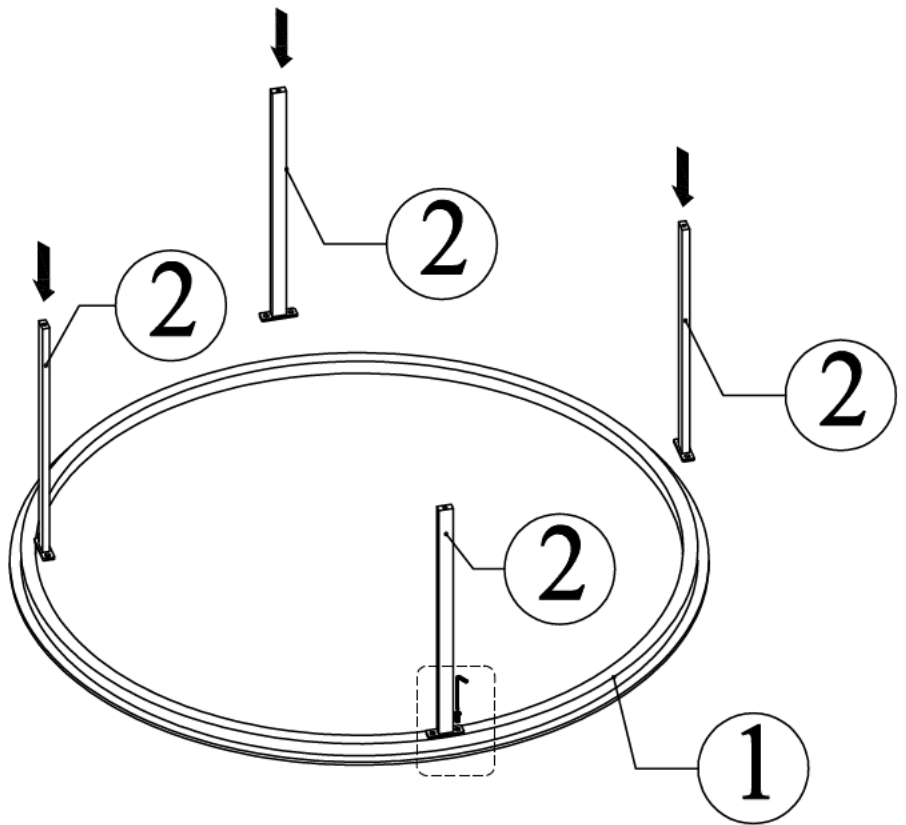


**3**

# 01

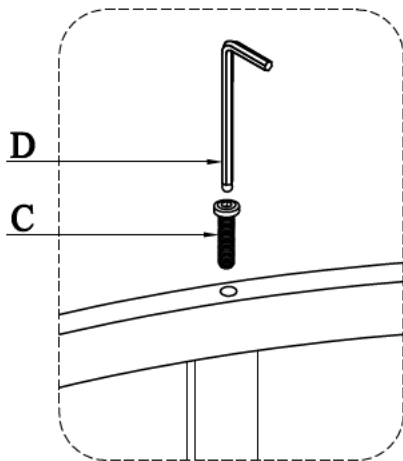
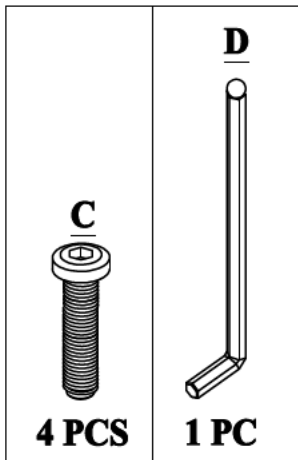


8X

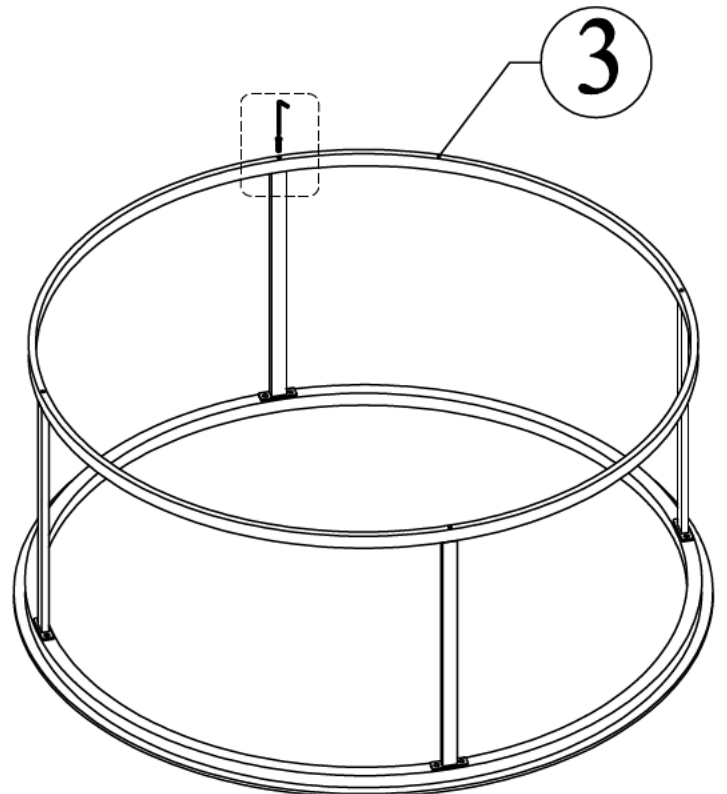


TIGHTEN BOLT COMPLETELY.

# 02

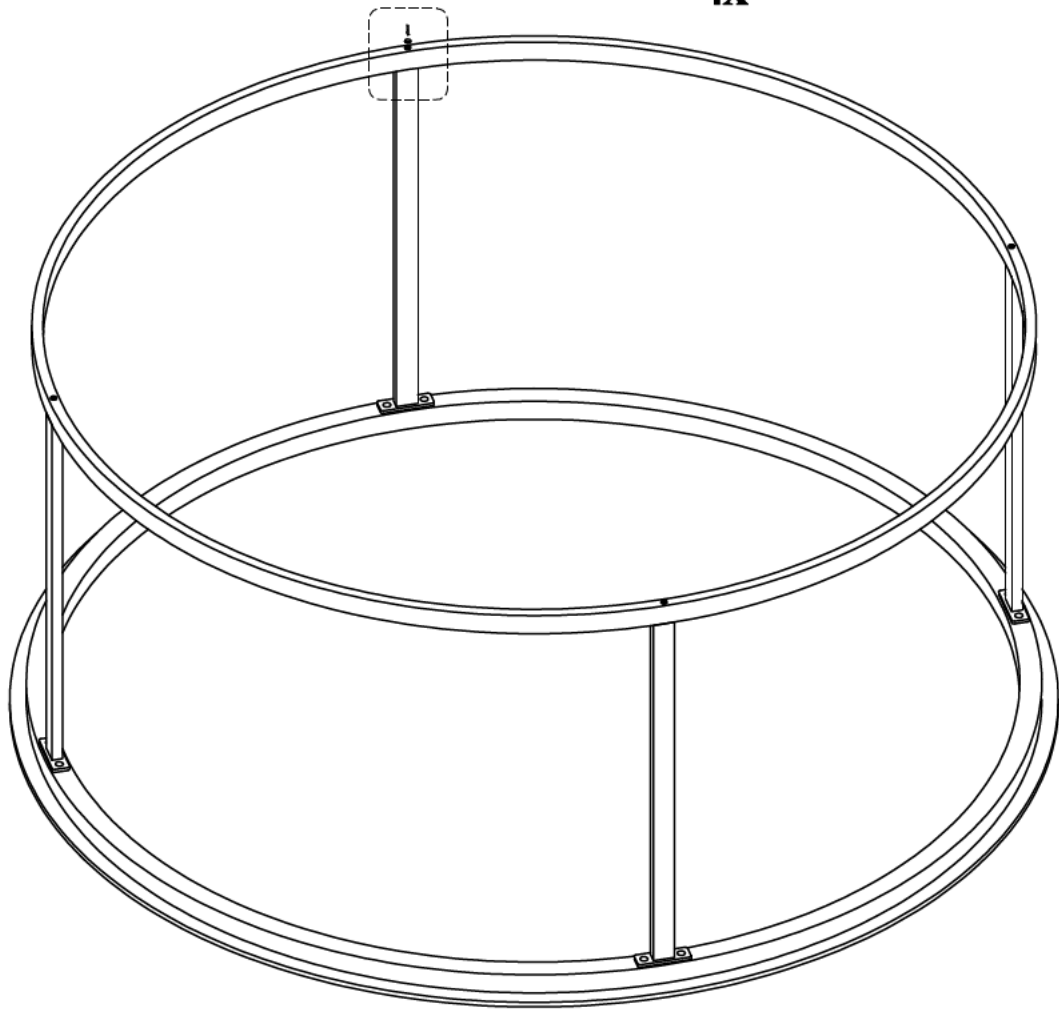
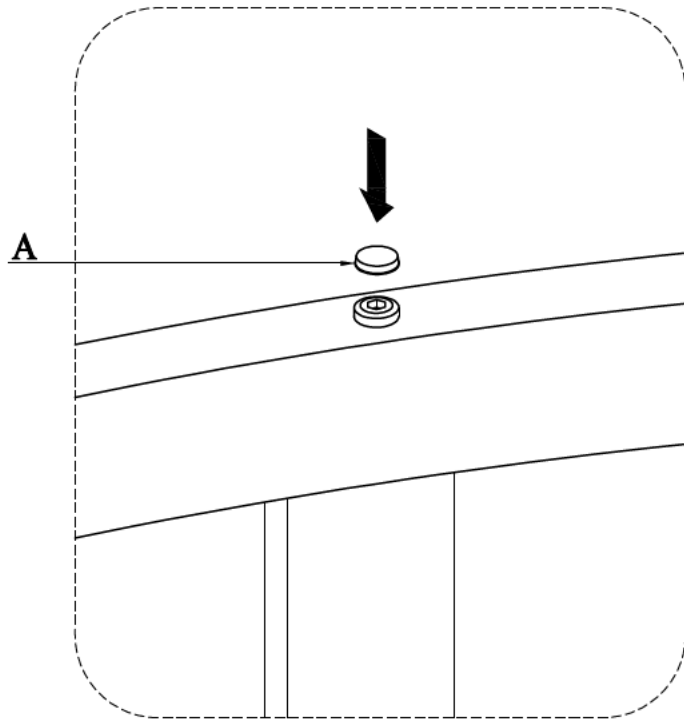
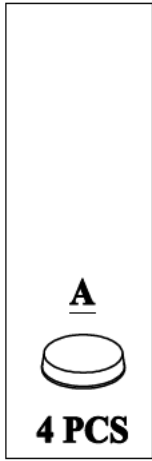


4X

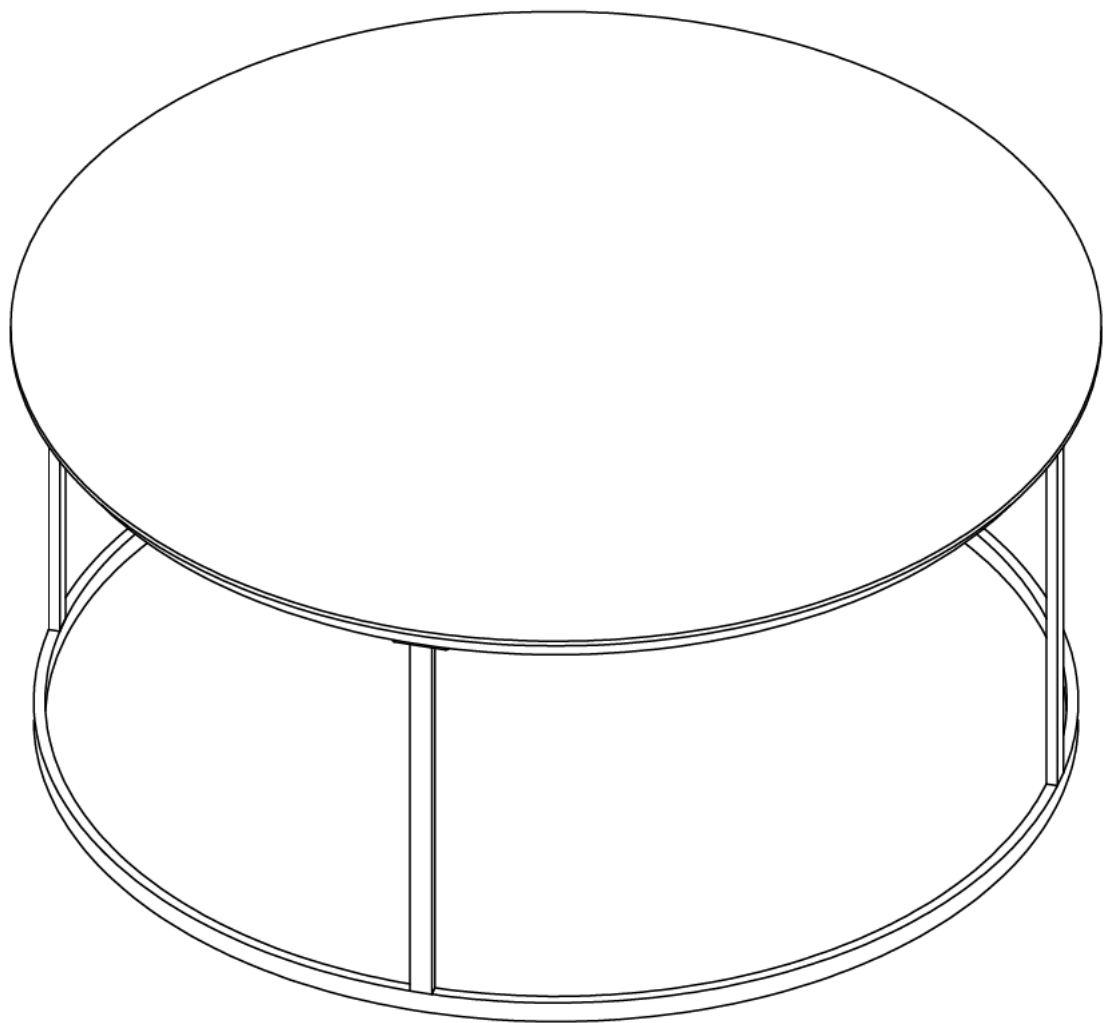


TIGHTEN BOLT COMPLETELY.

**03**



**TIGHTEN BOLT COMPLETELY.**



**BE SURE TO CHECK ALL BOLTS ARE SECURELY  
TIGHTENED PRIOR USING THIS TABLE**