

VEVOR[®]

TOUGH TOOLS, HALF PRICE

Technical Support and E-Warranty Certificate

www.vevor.com/support

Billiards Table

MODEL:VP35

We continue to be committed to provide you tools with competitive price.

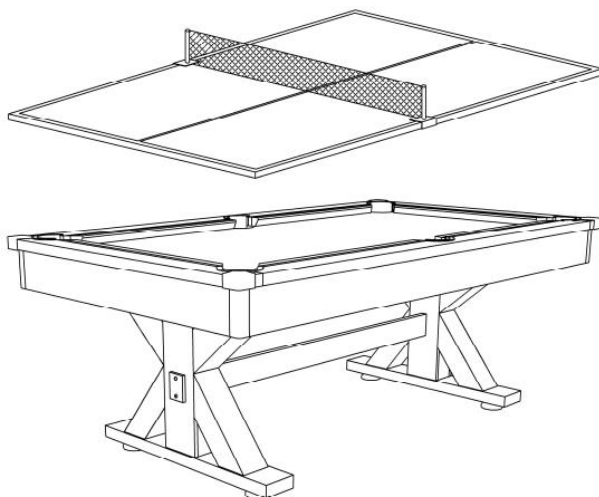
"Save Half", "Half Price" or any other similar expressions used by us only represents an estimate of savings you might benefit from buying certain tools with us compared to the major top brands and does not necessarily mean to cover all categories of tools offered by us. You are kindly reminded to verify carefully when you are placing an order with us if you are actually saving half in comparison with the top major brands.

VEVOR[®]

TOUGH TOOLS, HALF PRICE

Billiards Table

MODEL:VP35



NEED HELP? CONTACT US!

Have product questions? Need technical support? Please feel free to contact us:

Technical Support and E-Warranty Certificate
www.vevor.com/support

This is the original instruction, please read all manual instructions carefully before operating. VEVOR reserves a clear interpretation of our user manual. The appearance of the product shall be subject to the product you received. Please forgive us that we won't inform you again if there are any technology or software updates on our product.



Warning-To reduce the risk of injury, user must read instructions manual carefully.

SAFETY WARNINGS AND PRECAUTIONS

Thank you for using this product. In order to make sure that you can operate the machine correctly, read this instruction carefully before operation and keep it properly for future reference. Please be sure to read the precautions and safety rules in this page to ensure your safe use. This manual will outline safety warnings and precautions, operating, maintenance and cleaning. The warnings and instructions reviewed in this manual cannot cover all possible conditions and situations that may occur. Caution and common sense are not built into this product, since we believe that the uses will comply with these codes.

Please read ALL the instructions before using your machine.

1. Assemble needs to follow these instructions. Incorrect assembly can be a hazard. Wear heavy-duty work gloves during assembly.
2. Do not assemble when tired or when under the influence of alcohol, drugs or medication.
3. Keep the assembly area clean and well-lit.
4. Keep bystanders out of the area during assembly.
5. Do not allow children and pets to play alone or approach this item. Can't Climb Products.
6. Use as intended only. Do not sit or stand on the product.
7. Inspect before every use. Do not use it if parts are loose or damaged.
8. People or objects hanging on the product will cause the product to fall.
9. For indoor use only.
10. DO NOT CLEAN IT WITH ANY ABRASIVE MATERIAL.
11. Pet urine and feces can damage the product, please keep away.
12. Do not place the product on or near hot air, electric burners or heaters. Fireworks, cigarettes, flares, and other items can ignite the product. Please stay away from them.

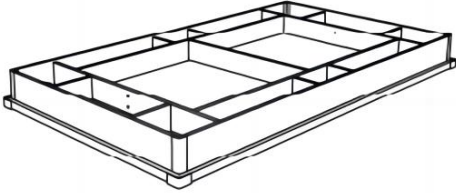

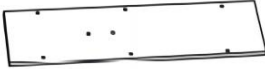
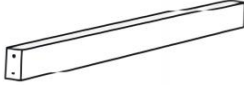
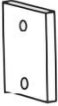

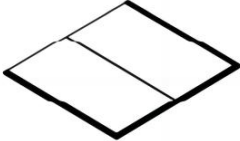
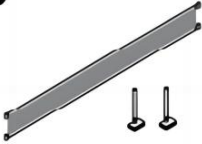
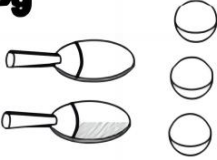
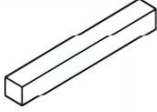

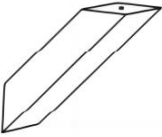
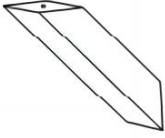
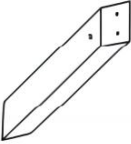
13. The product should be placed on a flat surface. And it should be installed in an open and safe place.

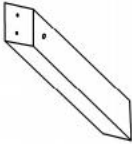








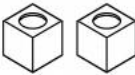


14. Do not place it in a damp environment.

 WARNING:

15. This appliance is not intended for use by infirm persons unless supervised by a responsible person to ensure that they can use the appliance safely. Young children should be supervised to ensure that they do not play with the product. Pets should stay away from the product.

PARTS IDENTIFIER

<p>P1</p>  <p style="text-align: center;">Main body 1pc</p>	<p>P2</p>  <p style="text-align: center;">Leg 2pcs</p>	
<p>P3</p>  <p style="text-align: center;">Leg board 2pcs</p>	<p>P4</p>  <p style="text-align: center;">Long pipe 1pc</p>	<p>P5</p>  <p style="text-align: center;">Iron sheet 2pcs</p>
<p>P6</p>  <p style="text-align: center;">Footplate M12xØ90 4pcs</p>	<p>P7</p>  <p style="text-align: center;">Table tennis surface 2pcs</p>	<p>P8</p>  <p style="text-align: center;">Table tennis net 1set</p>
<p>P9</p>  <p style="text-align: center;">Table Tennis Set 1set</p>	<p>P11</p>  <p style="text-align: center;">Support Brace 1pc</p>	<p>P12</p>  <p style="text-align: center;">Foot cushion board 2pcs</p>
<p>P13A</p>  <p style="text-align: center;">Stilt 2pcs</p>	<p>P13B</p>  <p style="text-align: center;">Stilt 2pcs</p>	<p>P14A</p>  <p style="text-align: center;">Stilt 2pcs</p>

<p>P14B</p>  <p>Stilt 2pcs</p>	<p>H1</p>  <p>Tool 1 pcs</p>	<p>H2</p>  <p>5/16*1-5/8" Bolt 24 pcs</p>
<p>H3</p>  <p>5/16" Washer 34 pcs</p>	<p>H4</p>  <p>5/16*6-1/2" Bolt 4 pcs</p>	<p>H5</p>  <p>4*45 Screw 12 pcs</p>
<p>H6</p>  <p>5/16*2-1/2" Bolt 6 pcs</p>	<p>H7</p>  <p>Plastic brush 1pcs</p>	<p>H8</p>  <p>Triangle rack 1 pcs</p>
<p>H9</p>  <p>Chalk 2 pcs</p>	<p>H10</p>  <p>Cue stick 2 pcs</p>	<p>H11</p>  <p>Billiard ball 1set</p>

ASSEMBLY INSTRUCTIONS

1. Please dispose of all plastic bags carefully and keep them away from children and pet.
2. Check all components provided according to the list in this manual. Make sure you have all of the parts listed.
3. Although paying particular attention when manufacturing this product, you must be careful during the assembly process to avoid being scratched

by sharp edges.

4. Wear protective gloves, during assembly and using.

5. The product should be placed on a flat surface.

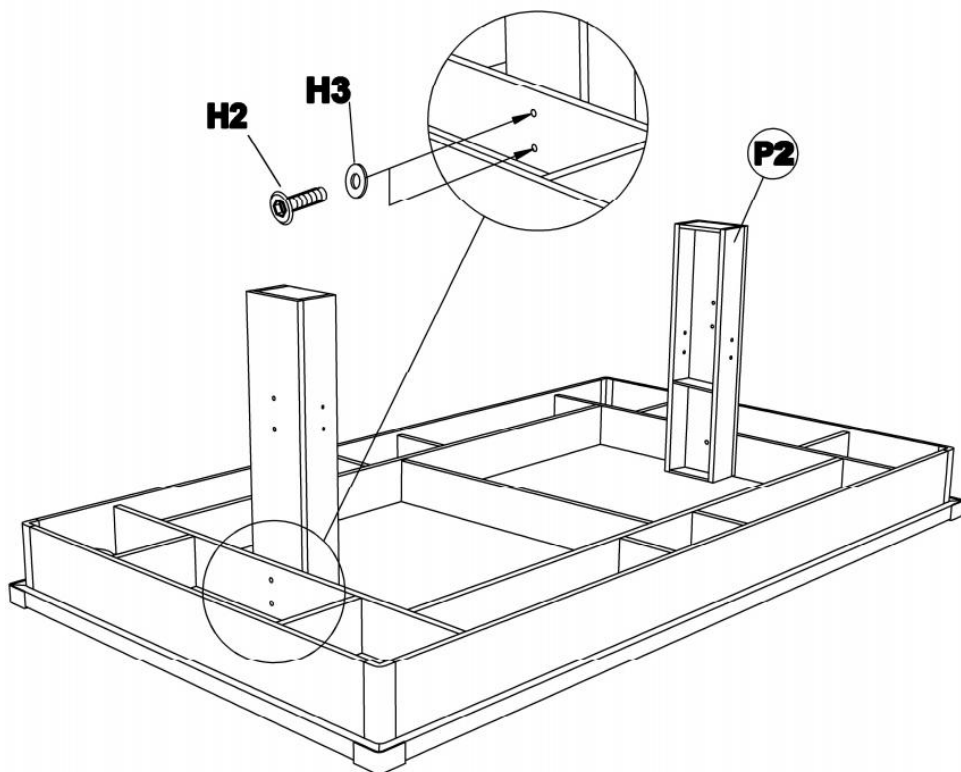
6. The product requires two people to assemble.

TIPS: Before installation, the packaging can be laid flat on the ground and the product placed on the packaging for assembly to protect the product.

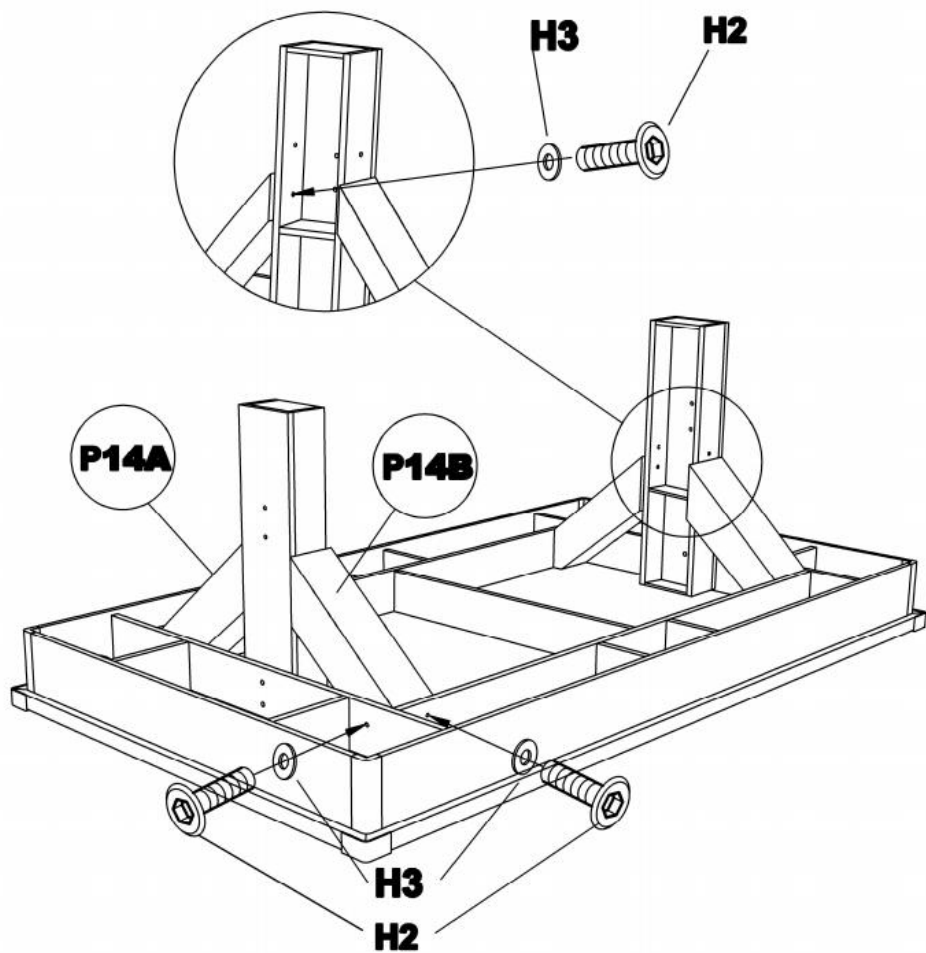
STEP1

1. Pay attention to distinguishing between positive and negative directions

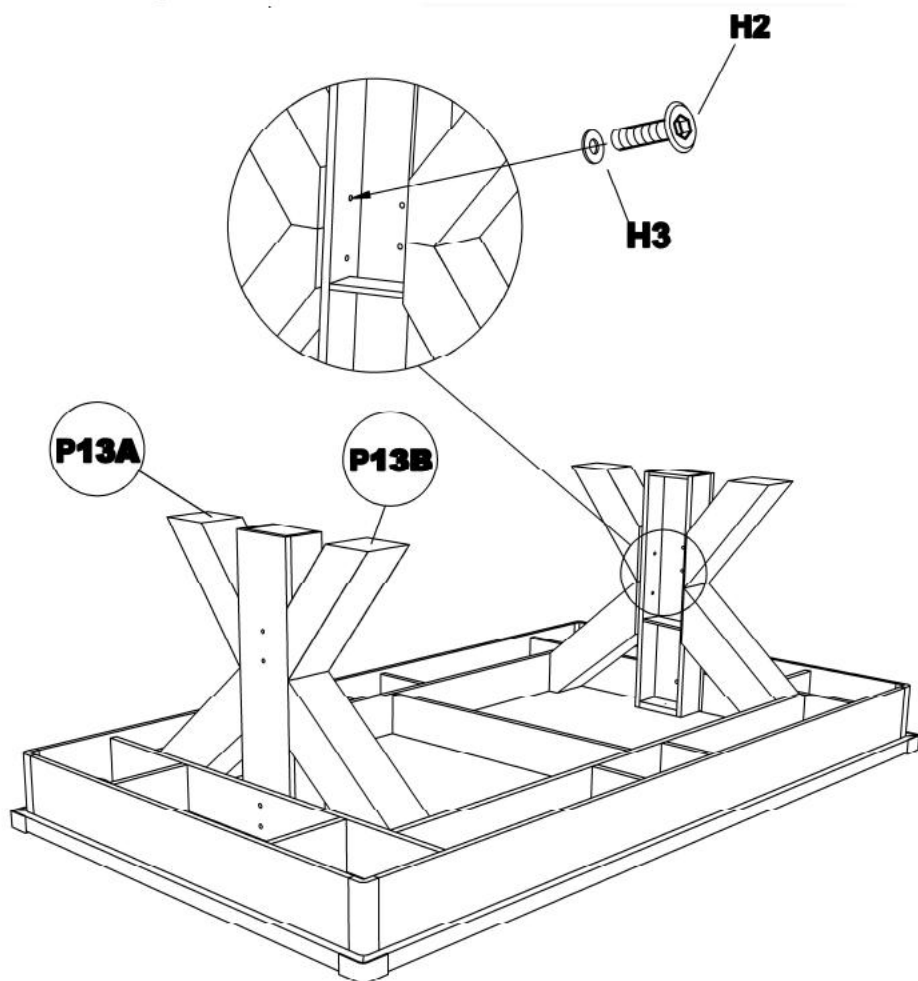
2. The installation process requires at least two adults



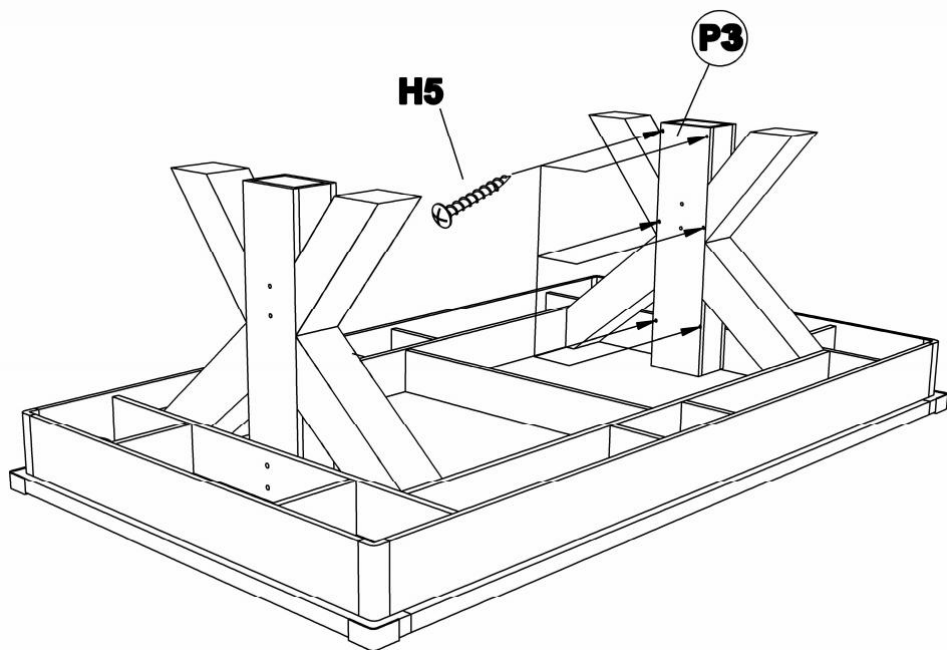
STEP2



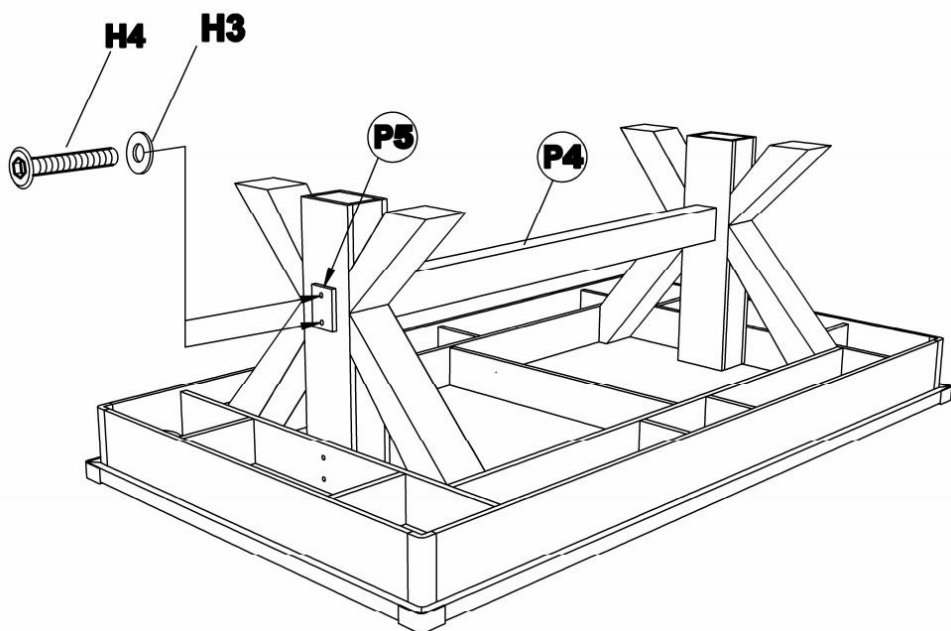
STEP3



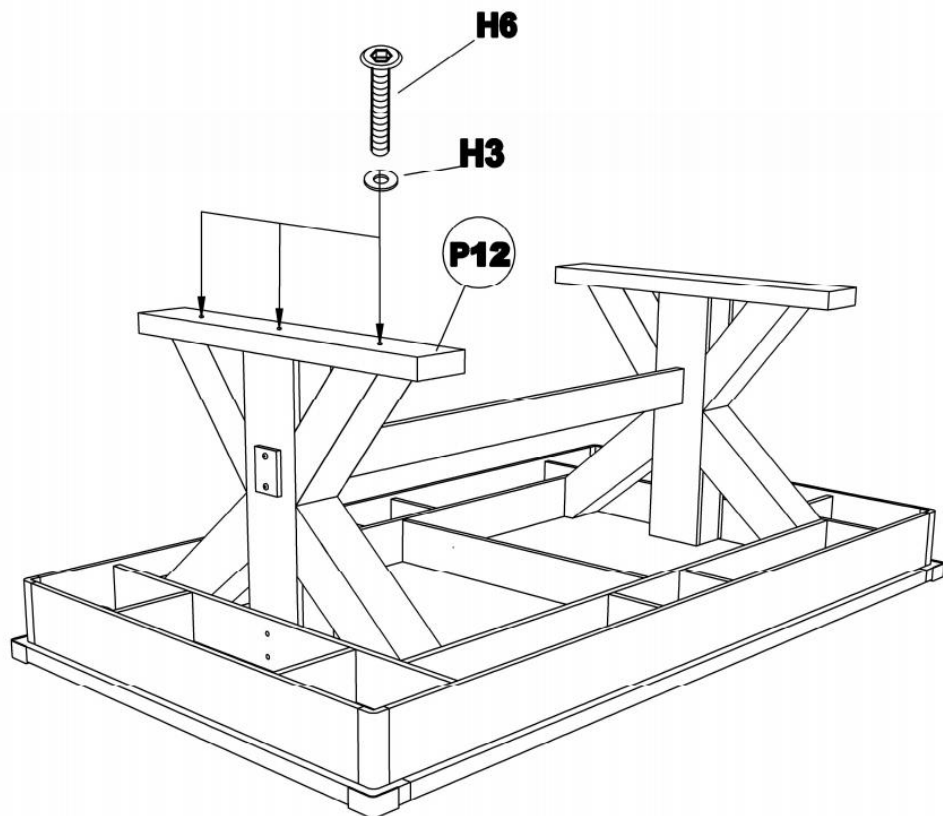
STEP4



STEP5

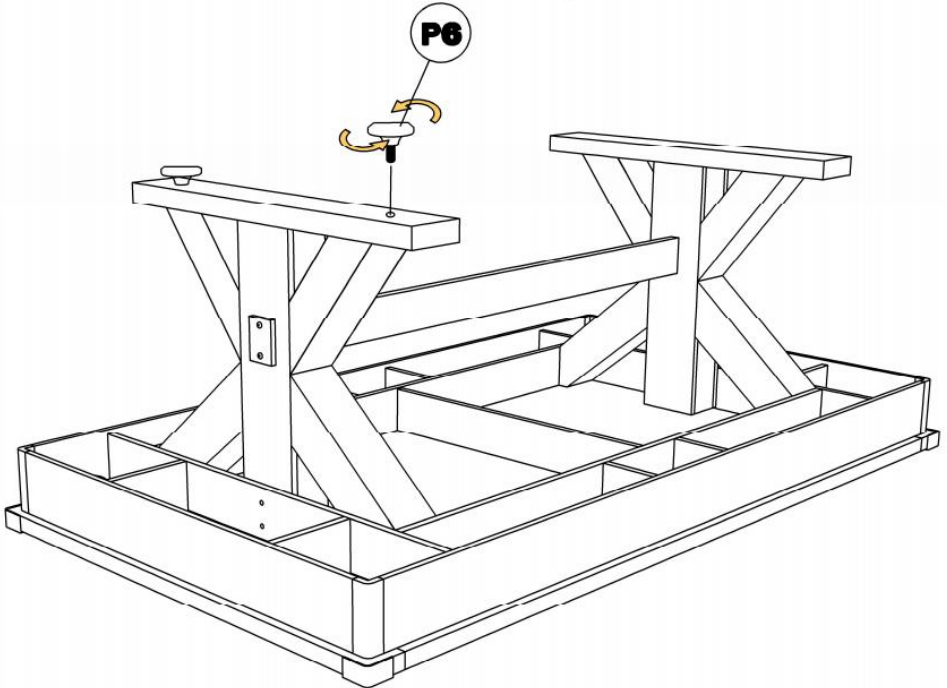


STEP6



STEP7

When you find that the ground is uneven, you can adjust the height through P6

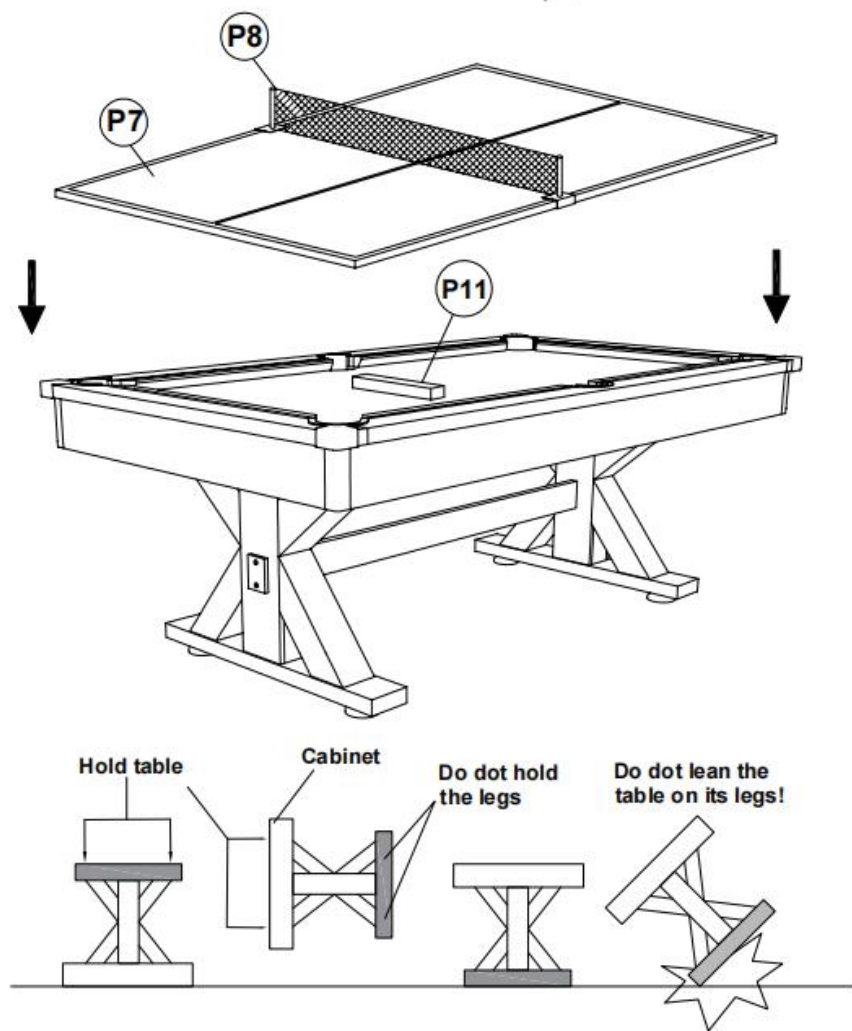


WARNING!

THIS STEP REQUIRES FOUR OR MORE ADULTS. WHILE FLIPPING THE TABLE OVER, DO NOT ALLOW TABLE TO REST ON THE SIDE OF LEGS AS THIS COULD DAMAGE THEM.

VERY CAREFULLY TURN THE TABLE OVER AND SET IT ON ITS LEGS. BE CAREFUL. THE TABLE IS VERY HEAVY.

STEP8



Manufacturer: Shanghaimuxinmuyeyouxiangongsi

Address: Baoshanqu Shuangchenglu 803long 11hao 1602A-1609shi
Shanghai

Imported to AUS: SIHAO PTY LTD, 1 ROKEVA STREETEASTWOOD
NSW 2122 Australia

Imported to USA: Sanven Technology Ltd.
Suite 250,9166 Anaheim Place, Rancho Cucamonga, CA 91730



SHUNSHUN GmbH
Römeräcker 9 Z2021,76351
Linkenheim-Hochstetten,Germany
euvertreter@gmail.com
+49 1727041930



Pooledas Group Ltd
Unit 5 Albert Edward House, The
Pavilions Preston, United Kingdom
pooledas123@gmail.com
Tel: 01772418127

Made In China

VEVOR[®]

TOUGH TOOLS, HALF PRICE

Technical Support and E-Warranty Certificate

www.vevor.com/support