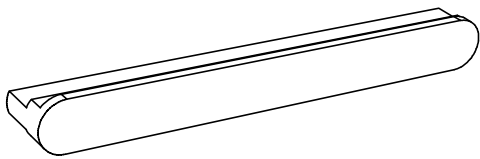
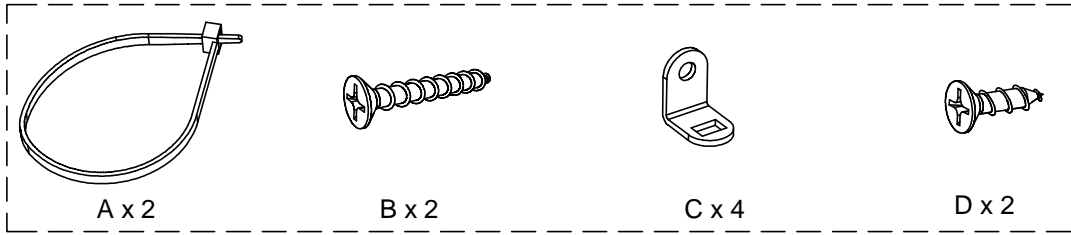
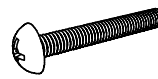


# ASSEMBLY INSTRUCTIONS

## HARDWARES

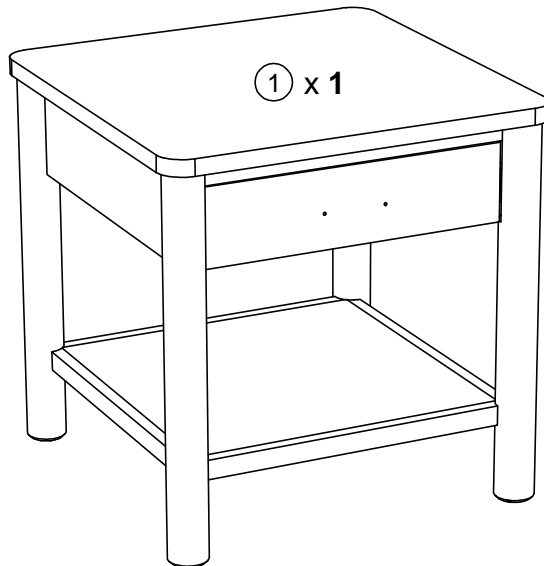


E x 1  
136 x 15 x 30

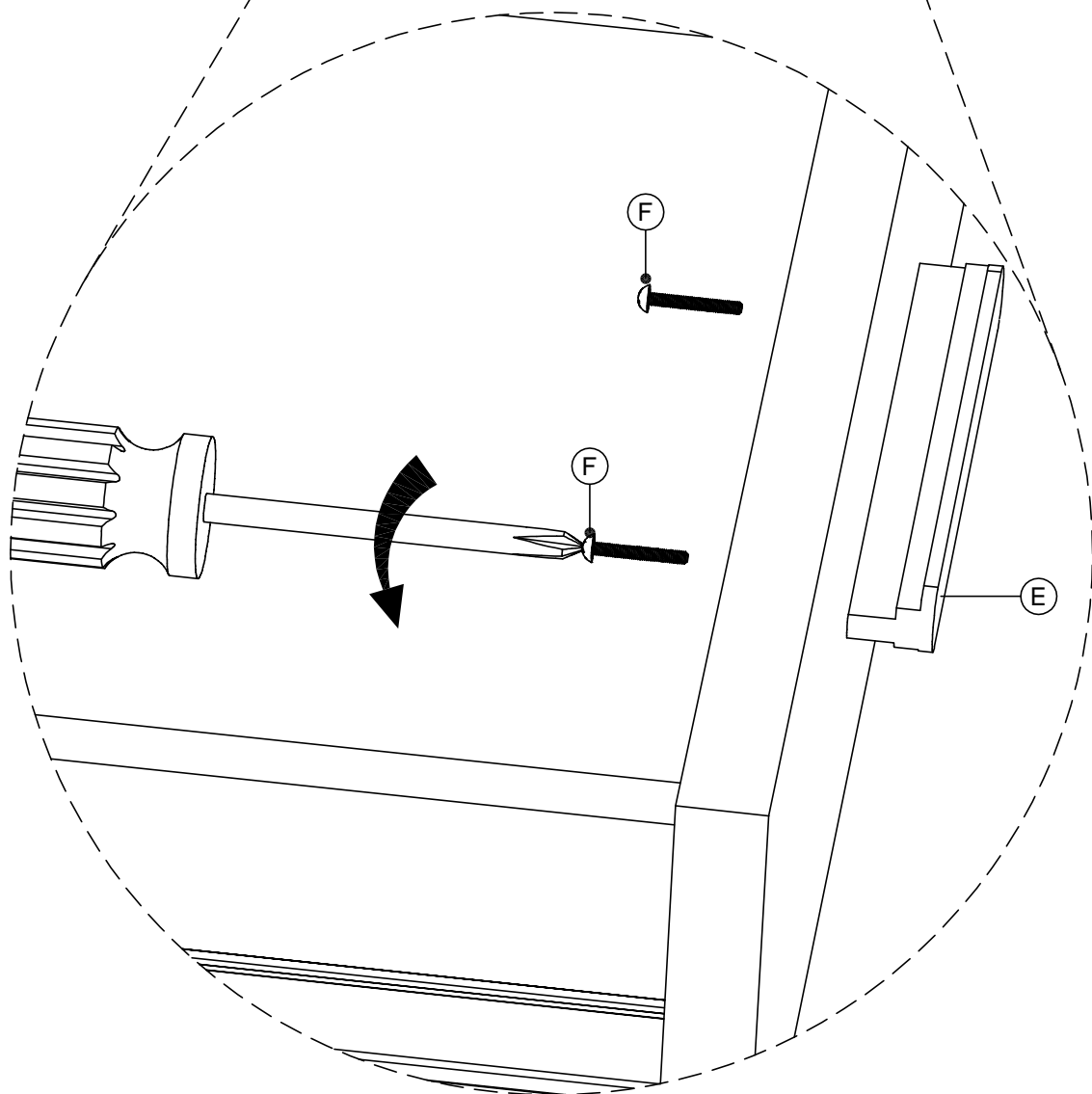
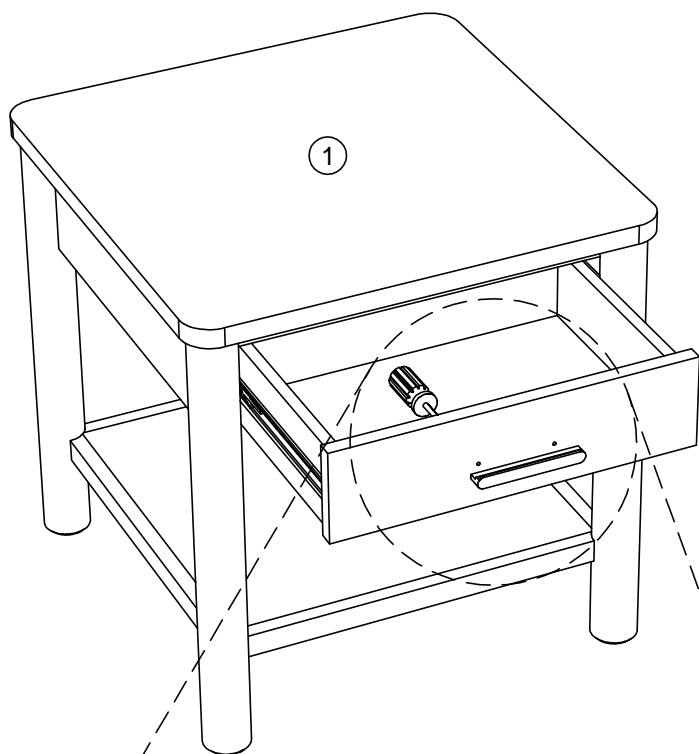


F x 2  
M4 x 30

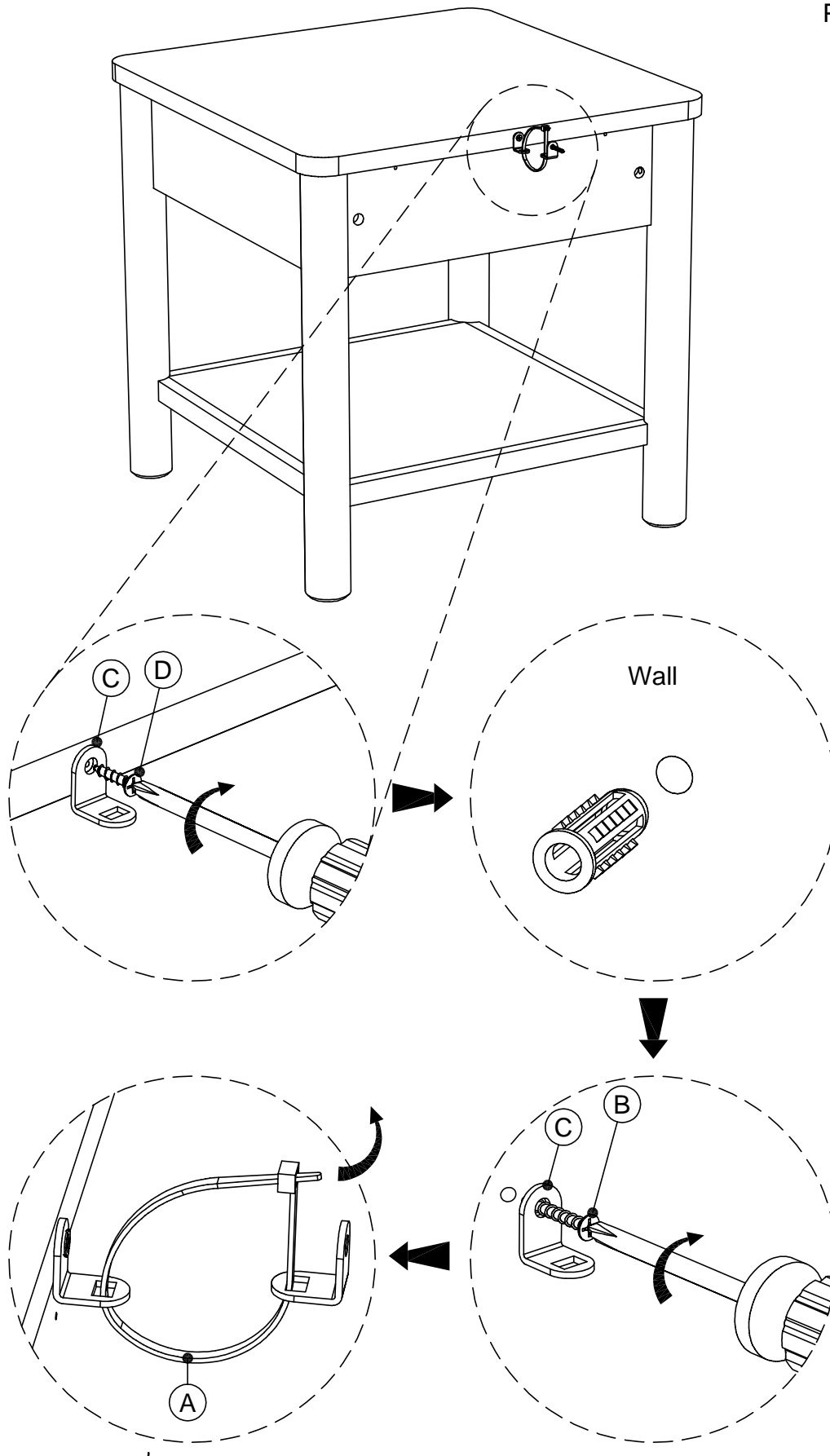
## PARTS



1



2

**"IMPORTANT"**

1. Screwdriver is not supplied. Please secure the unit to your wall using the appropriate tool for your wall type, there are readily available from your local DIY/ home improvement stores.
2. Before drilling into your wall check for wires or electric cables.