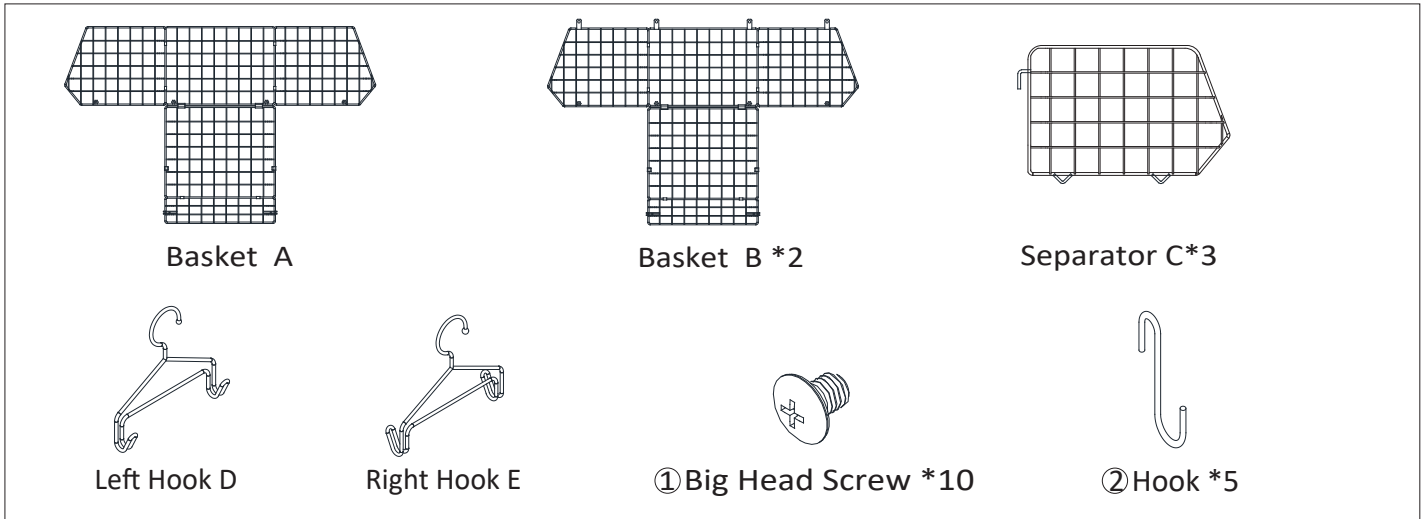


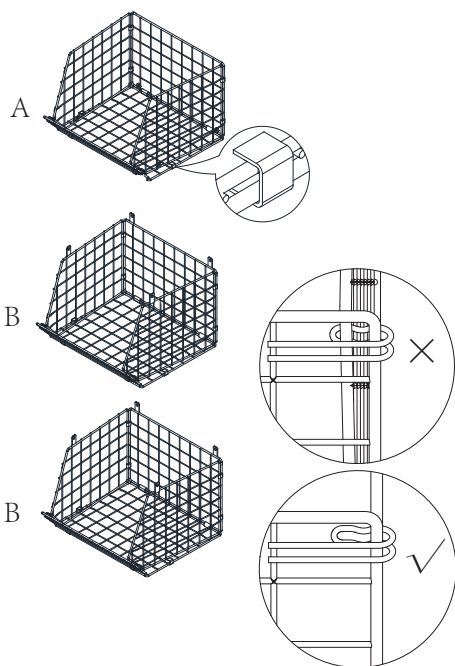
Hanging Closet Basket Organizer Installation Instructions

Accessories include

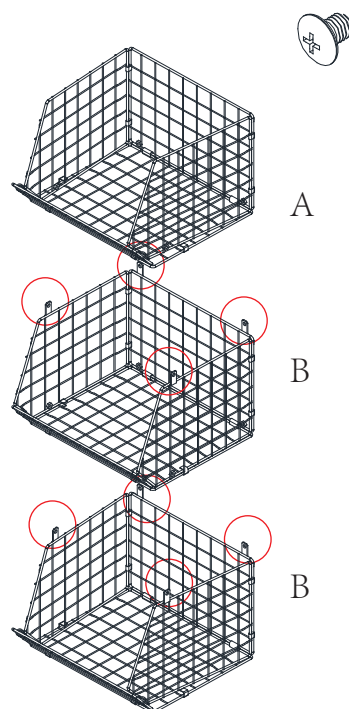


Installation steps (First Using Method)

1. Align the bottom and snap the sides into the bottom and front clips, then pull firmly to lock. (Repeat for both basket types A and B.)

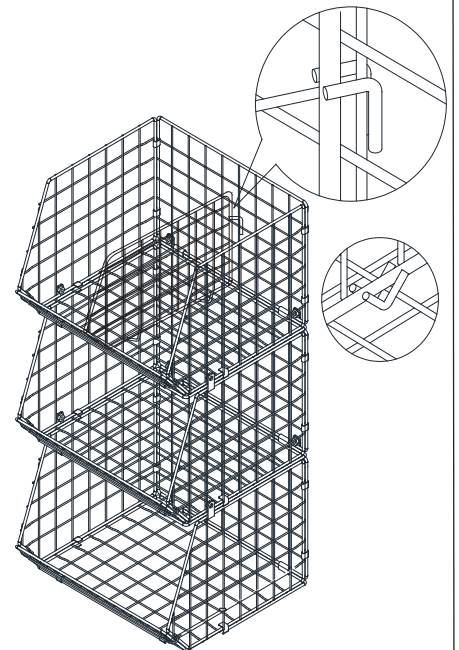


2. Use big head screw to connect B, B and A basket. Note: Initially, only loosely secure all screws. Tighten them fully only after all screws are in place to avoid misalignment.

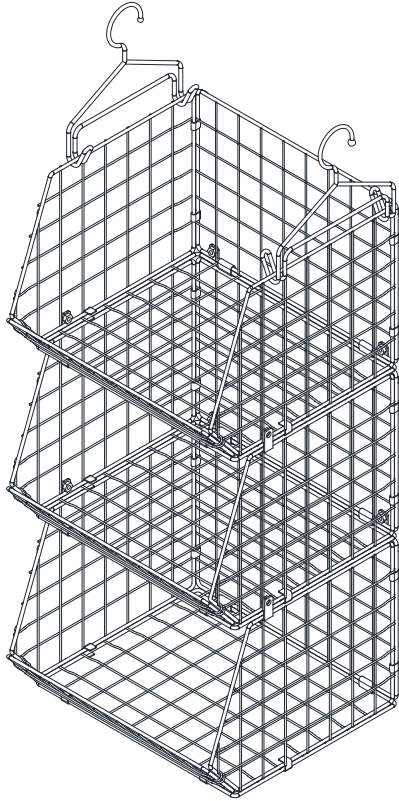


3. Finish three baskets' combination assembly. Please see next step on the back.

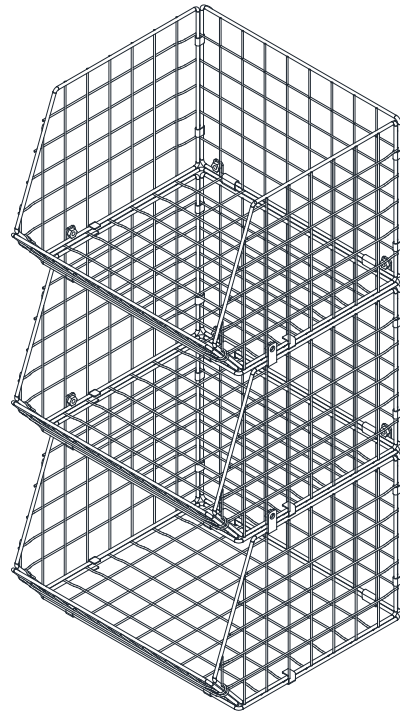
Insert separator into the basket.



4. 1 Use two hooks to hang the baskets on the pole.



4.2 Just place the basket on flat surface.



Installation steps (Second Using Method)

Each basket assembly method is the same as step 1 of the first using method.
You can DIY the using and combination method.
You can just fix one basket on the wall, and the rest two just place on the desk.
Or fix two or three, or use hooks to hang 1-3 baskets on the pole,
you can choose the using ways according to your needs.
You can choose whether to insert separator in the basket.

