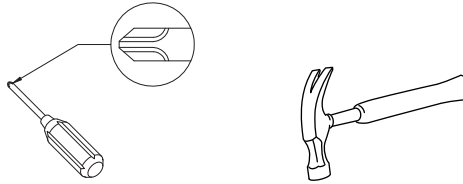


# Assembly Instructions

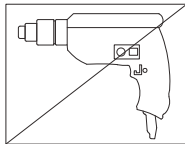


# General Assembly Guidelines

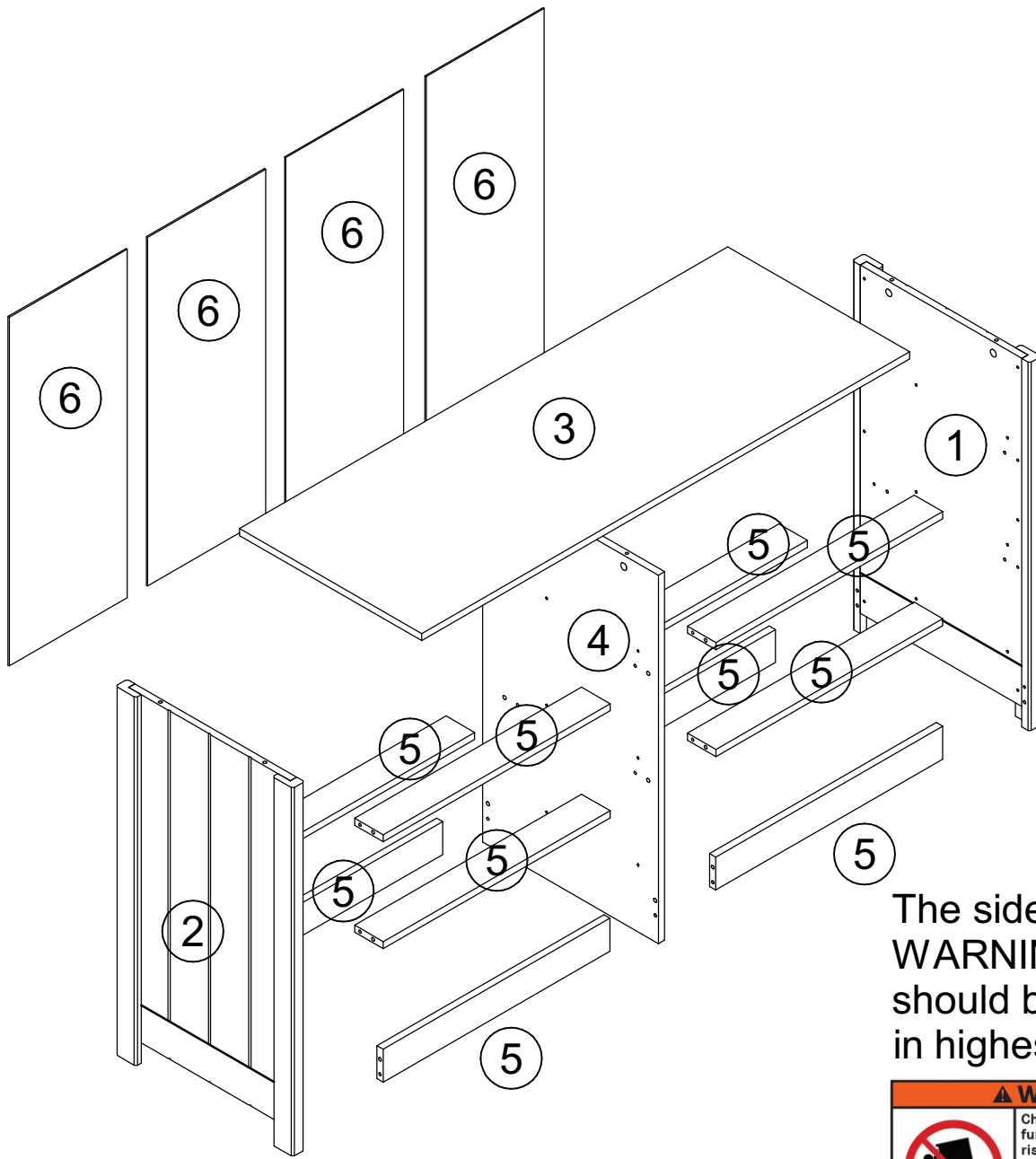
- I. Ensure that all parts and hardware are available before beginning assembly.
- II. Follow each step carefully to ensure the proper assembly of this product.
- III. Two people are recommended for ease in the assembly of this product.
- IV. The three main types of hardware used to assemble this product are wood dowels, screws and bolts.
- V. A Phillips head screwdriver and hammer is required for the assembly of this product.



- V I. Power tools should not be used to assemble this product.



# Parts List



The side drawer with **WARNING LABEL**, should be mounted in highest drawer

**▲ WARNING**

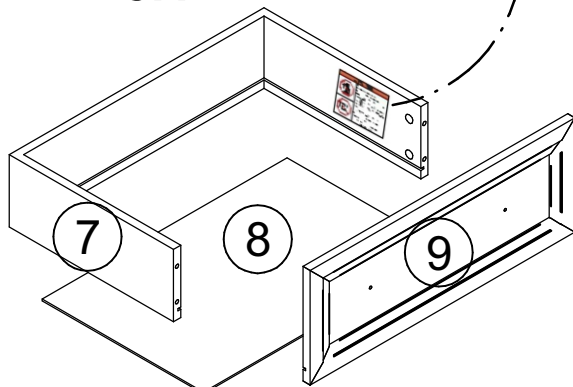
Children have died from furniture tipover. To reduce the risk of furniture tipover:

- ALWAYS install tipover restraint provided.
- NEVER put a TV on this product.
- NEVER allow children to stand, climb or hang on drawers, doors, or shelves.
- NEVER open more than one drawer at a time.
- Place heaviest items in the lowest drawers.







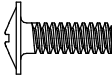

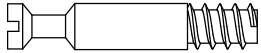
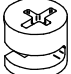
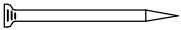
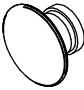
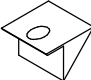
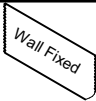
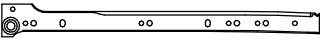
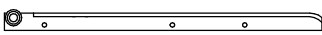
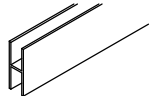

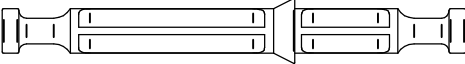

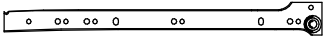
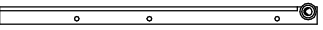
*This is a permanent label. Do not remove!*

Part#	Description	Qty
01	Right Side Panel	1
02	Left Side Panel	1
03	Top Panel	1
04	Center Panel	1
05	Crossbeam	10
06	Back Panel	4
07	Drawer Side	6
08	Drawer Bottom	6
09	Front Drawer	6

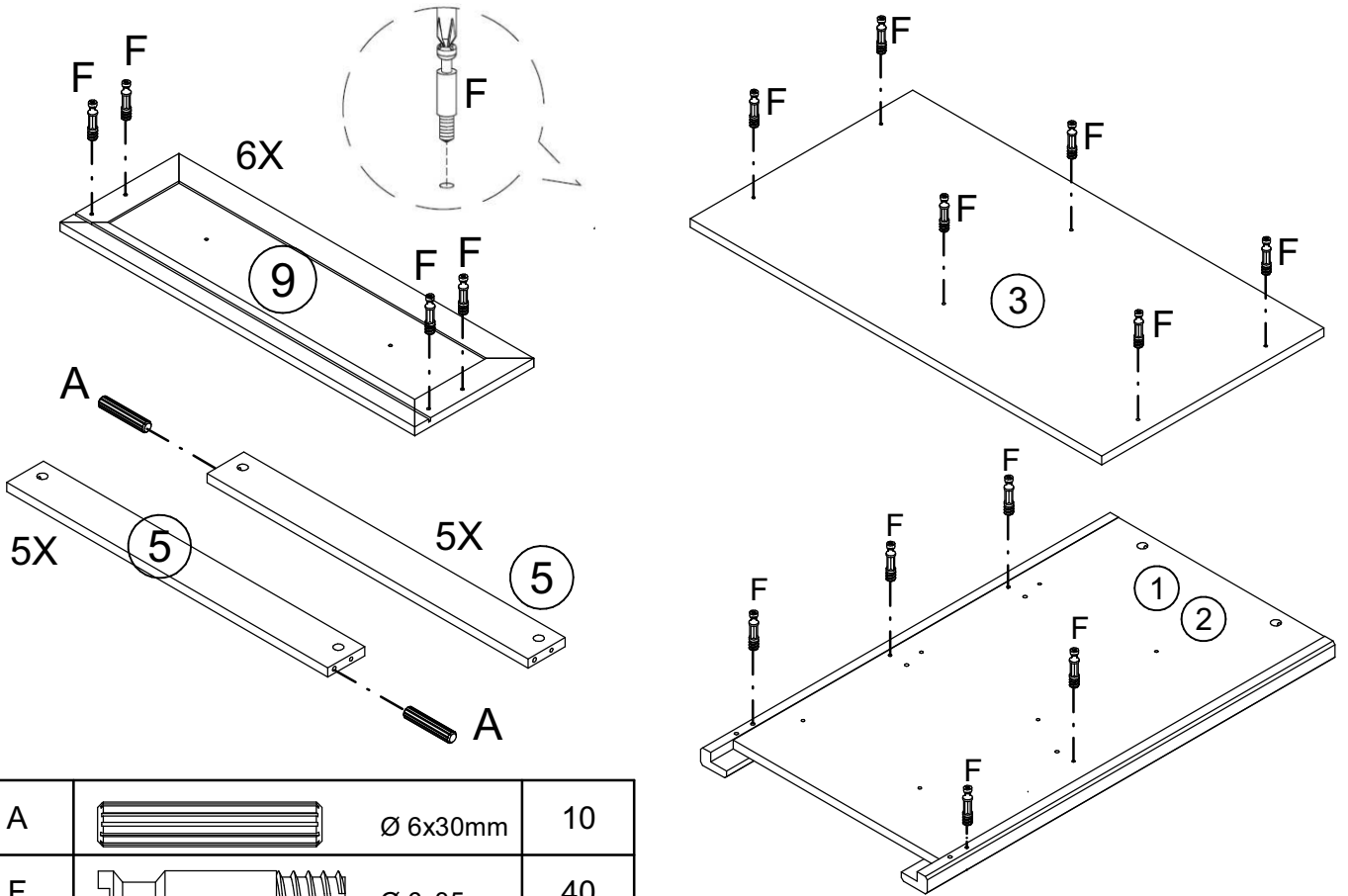
6x



# Hardware List

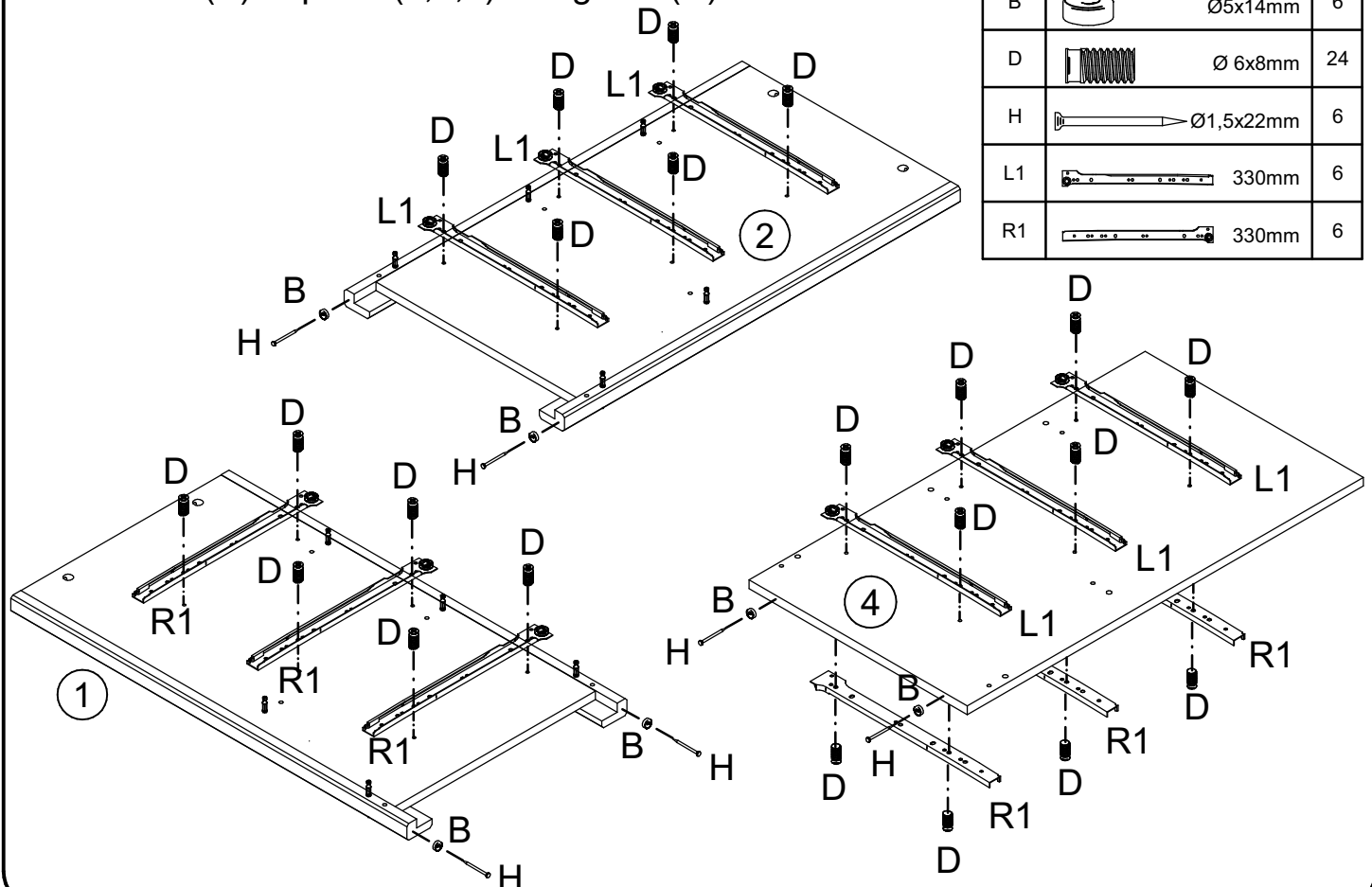
A		Ø 6x30mm	Wooden Dowel	10 pcs
B		Ø 5x14mm	Foot	6 pcs
C	 	Ø 3,5x14mm	Screw	36 pcs
D	 	Ø 6x8mm	Screw	24 pcs
E	 	Ø M4x10mm	Screw	12 pcs
F		Ø 6x35mm	Cam Bolt	40 pcs
G		Ø 15mm	Cam Lock	50 pcs
H		Ø 1,5x22mm	Nail	60 pcs
I		Ø 30x20mm	Handle	12 pcs
J		Ø 14x14mm	Back Support	12 pcs
K			Wall Anchor	2 pc
L1		330mm	Slider	6 pcs
L2		330mm	Slider	6 pcs
M		732mm	Back Join	2 pcs
O		Ø 6x50mm	Wood Dowel	5pcs
P		Ø 6x61mm	Cam Bolt	5 pcs
Q		Ø 15x15mm	Fixer	8 pcs
R1		330mm	Slider	6 pcs
R2		330mm	Slider	6 pcs

**STEP 1.** Secure cam bolts (F) into parts (1,2,3,9). Insert dowel (A) into part (5).



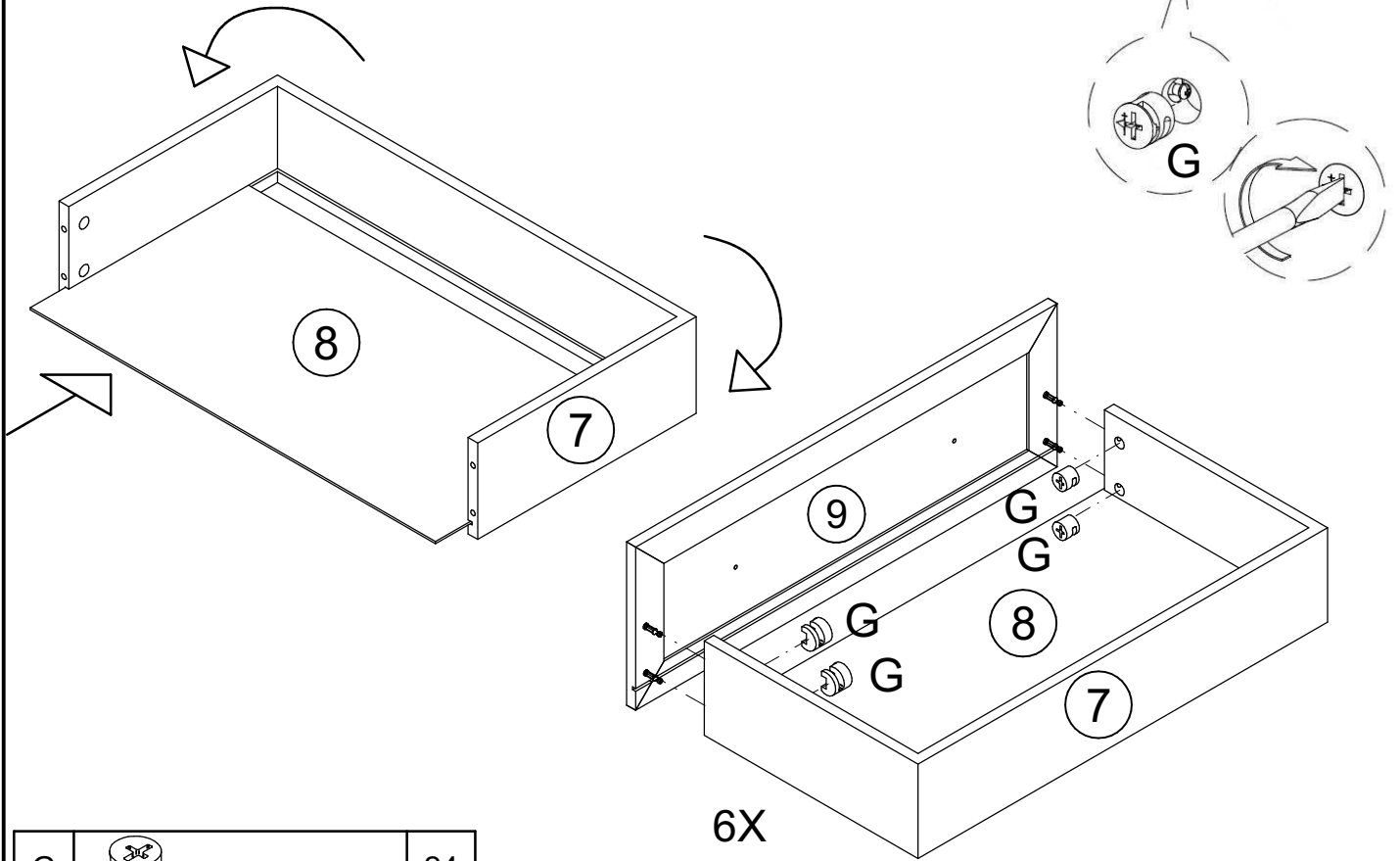
A		Ø 6x30mm	10
F		Ø 6x35mm	40


**STEP 2.** Attach sliders (L1) to parts (2,4) and (R1) to parts (1,4) using screw (D). Secure feet (B) to parts (1,2,4) using nail (H).



B		Ø5x14mm	6
D		Ø 6x8mm	24
H		Ø1,5x22mm	6
L1		330mm	6
R1		330mm	6

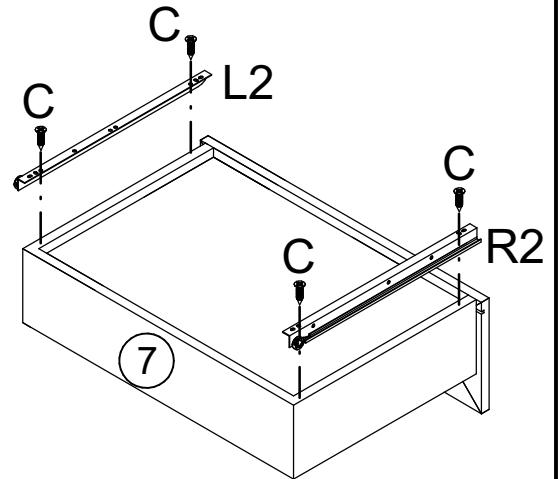
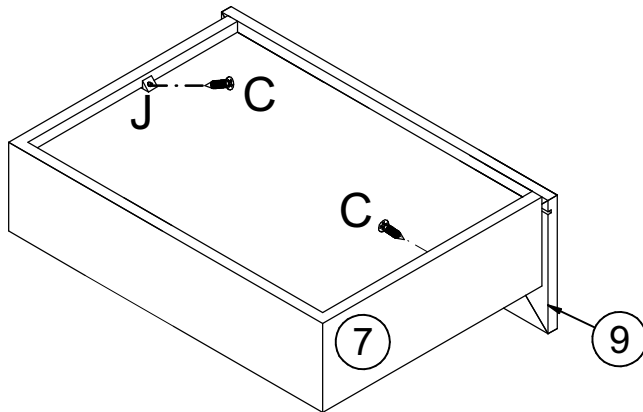
**STEP 3.** Insert panel (8) into the drawer frame (7) groove. Then attach part (9) to part (7) using cam lock (G).





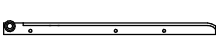



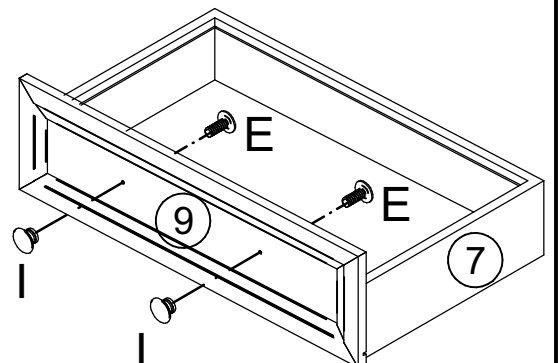
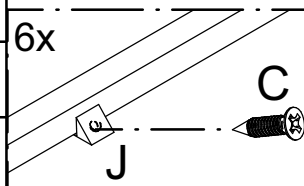
G		Ø15mm	24
---	---	-------	----

**STEP 4.** Insert support (J) in the bottom of part (7) and then secure using screw (C). Then attach sliders (L2 and R2) to part (7) using screw (C). Attach handle (I) using screw (E).


6X

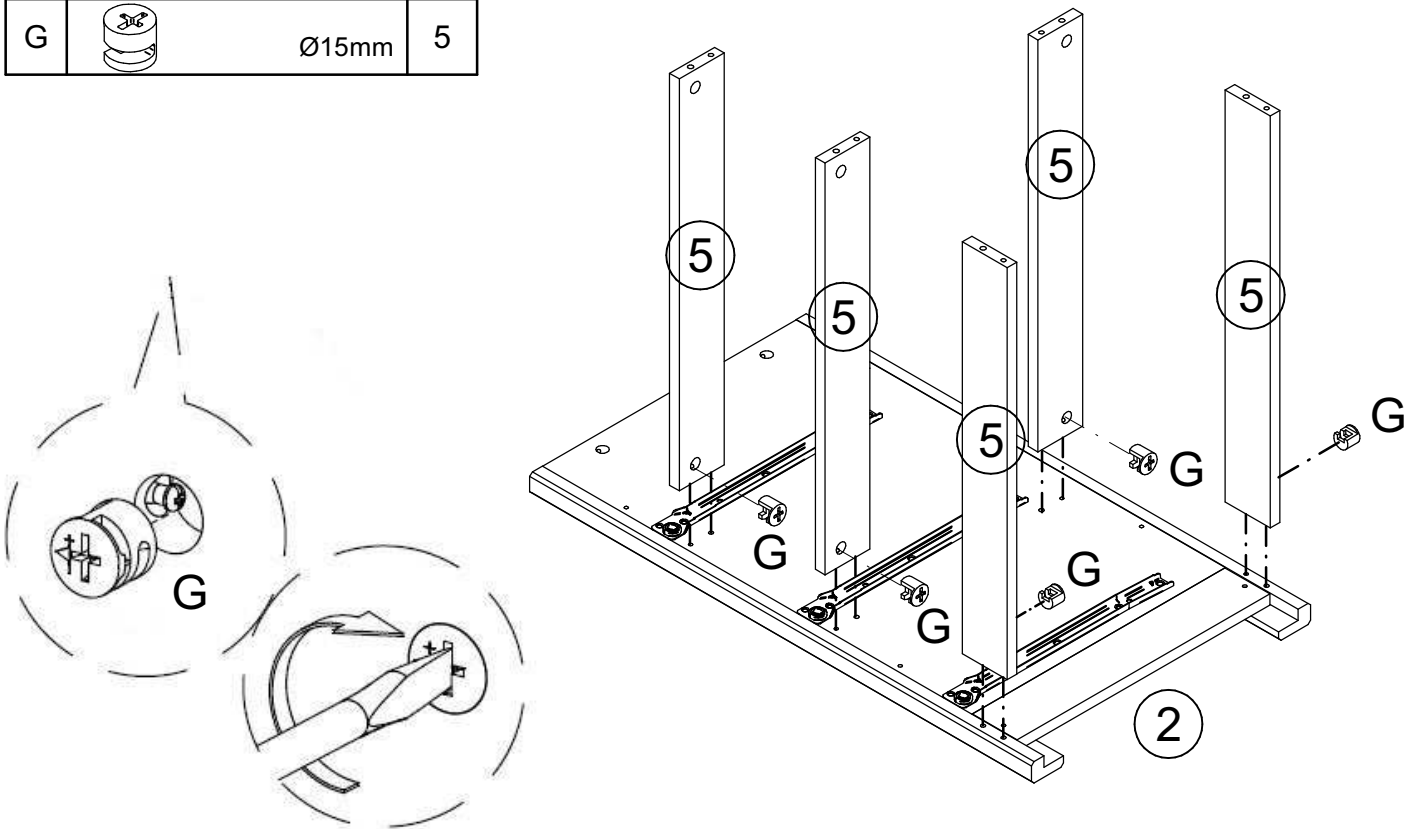


C		Ø 3,5x14mm	36
E		Ø M4x10mm	12
I		Ø 30x20mm	12
J		Ø 14x14mm	12
L2		330mm	6
R2		330mm	6



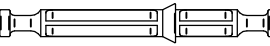


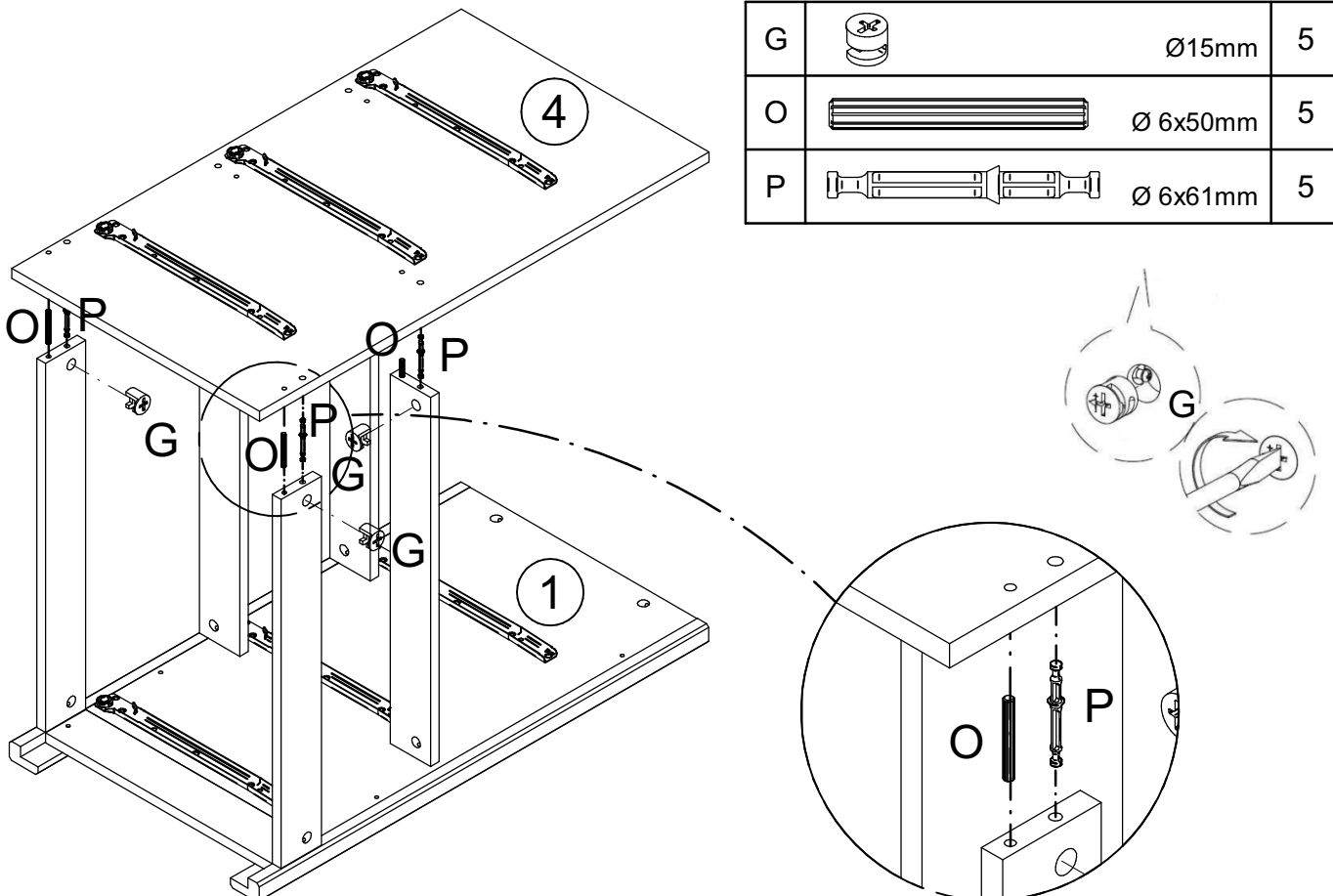
**STEP 5.** Secure parts (5) to part (2) using cam lock (G).

G		Ø15mm	5
---	---	-------	---

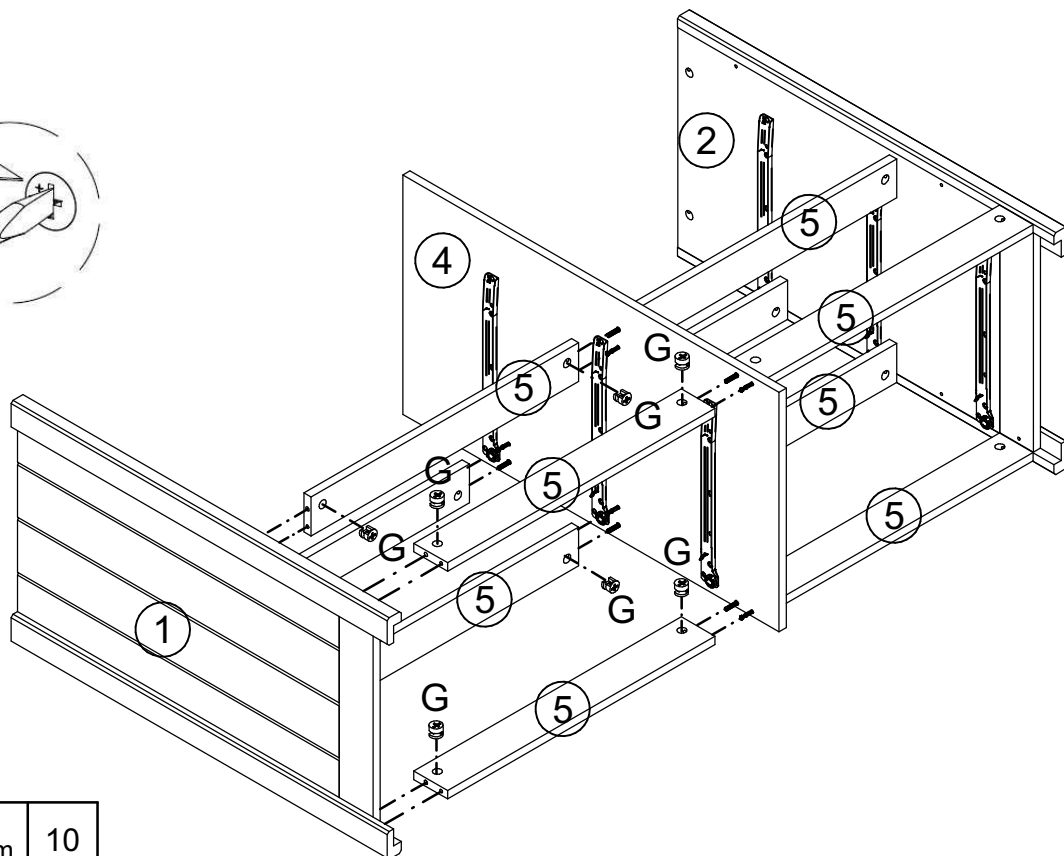
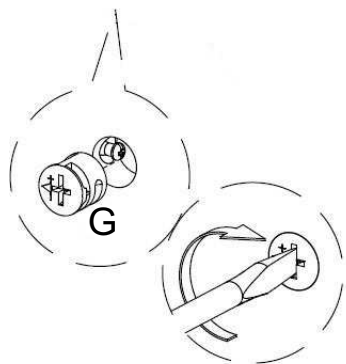



**STEP 6.** Secure part (4) to parts (5) using dowel (O), cam bolt (P) and cam lock (G).

G		Ø15mm	5
O		Ø 6x50mm	5
P		Ø 6x61mm	5



**STEP 7.** Secure parts (5) to parts (1,4) using cam lock (G).

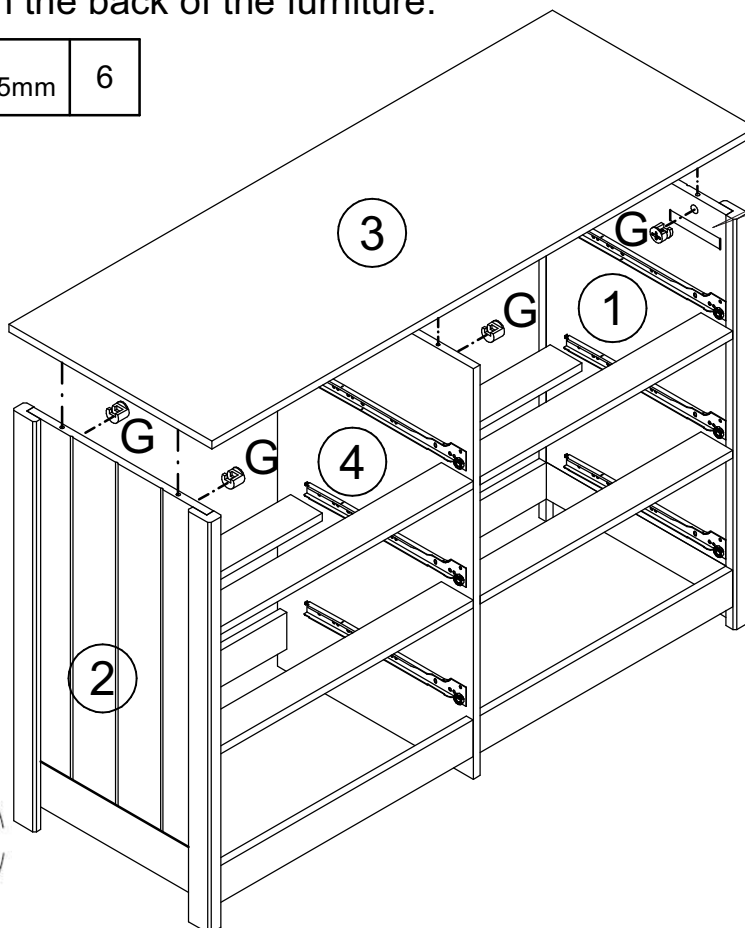
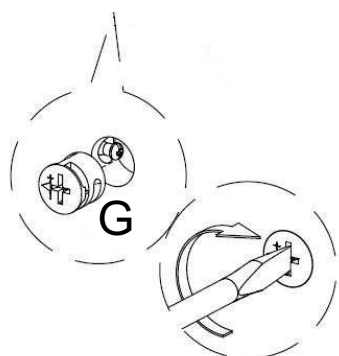


G		Ø15mm	10
---	---	-------	----

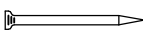


**STEP 8.** Secure part (3) to parts (1,2,4) using cam lock (G). Place brown tape from the top panel on the back of the furniture.

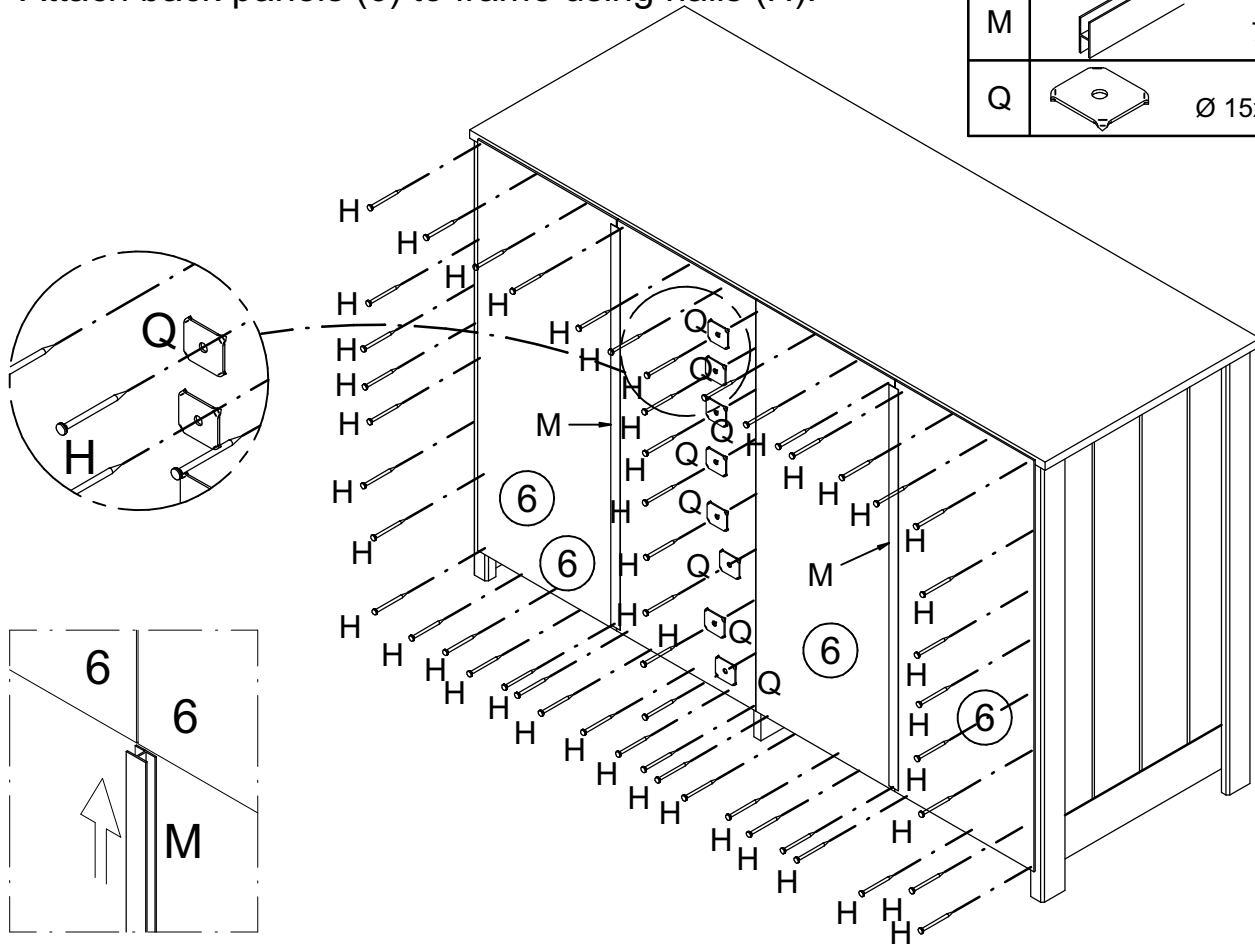
G		Ø15mm	6
---	---	-------	---

Name and address of the supplier and date of production.

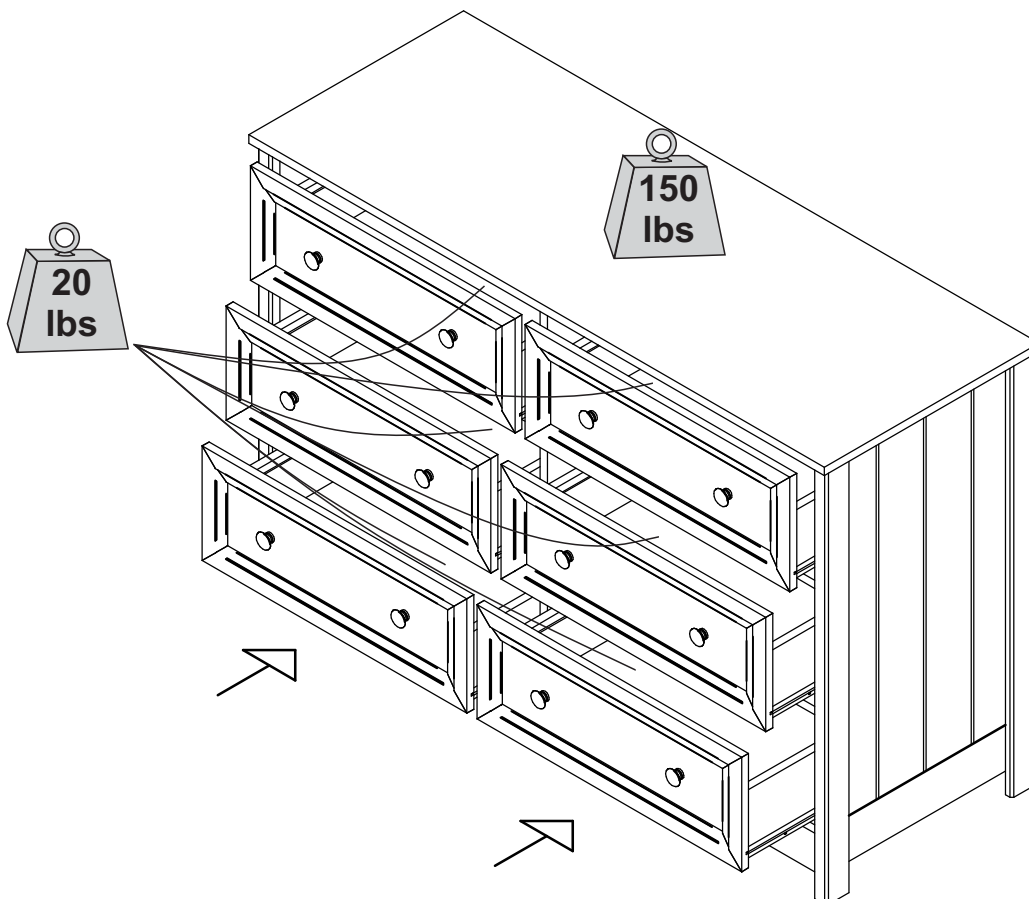


**STEP 9.** Join back panels (6) using back join (M).  
Attach back panels (6) to frame using nails (H).

H	 Ø1,5x22mm	54
M	 732mm	2
Q	 Ø 15x15mm	8



**STEP 10.** Insert drawer into frame.



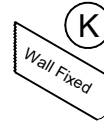
## WARNING

Serious or fatal injuries can occur from furniture tipping over. To prevent the furniture from tipping over we recommend that it is permanently fixed to the wall.

Wall anchor and hardware are included with this product. Please make sure hardware is suitable for your walls before installing, as different wall materials may require different types of anchors.

### Wall Anchor - Assembly Instructions

WALL ANCHOR



Your furniture comes with a tipping restraint. Once attached to the furniture and to wall, it will help prevent the furniture from tipping over at small child attempt to climb on the furniture. It is recommended that the restraint be attached directly to a wood stud if possible. If this not possible, it is best to use the wall anchor included.

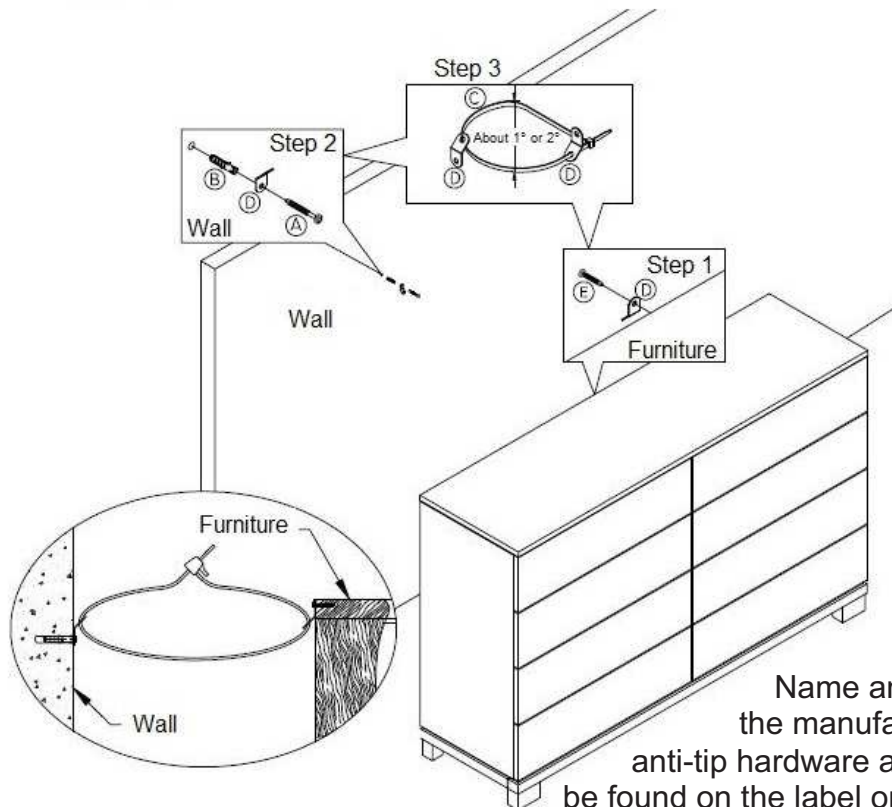
**Step 1** - Determine the location of your furniture. Find the center of the back edge of the top of your furniture, and once determined, mark it. Make a matching mark on the wall.

Attach the metal clip (D) exactly as shown in the diagram using screw (E).

**Step 2** - Attach the second metal clip (D) to the wall anchor (B) (if you can not use a wall stud) and schew (A) as shown.

**Step 3** - Once the clips are secure and tight, place the furniture with clips as close to the wall with clip. Then attach the cable tie (C) as shown, making sure it 'locks' and pulls together. If you wish, you can cut the top end of the tie to conceal this hardware.

As an additional safety measure, it is recommended to place all heavier items on the lower drawers of the furniture.



Name and address information for the manufacturer responsible for the anti-tip hardware and date of production can be found on the label on the back of the furniture.

A	Wall Screw 4,5x35	01	B	Wall Plug ø 6MM	01
C	Strap	01	D	135° Bracket	02
			E	Furniture Screw 4,0x20	01