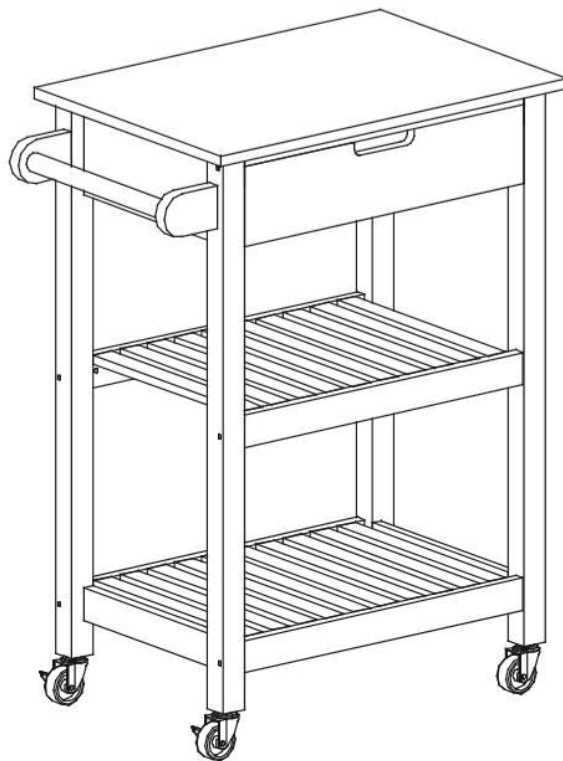


# Kitchen Trolley Cart

---

## Assembly Instructions

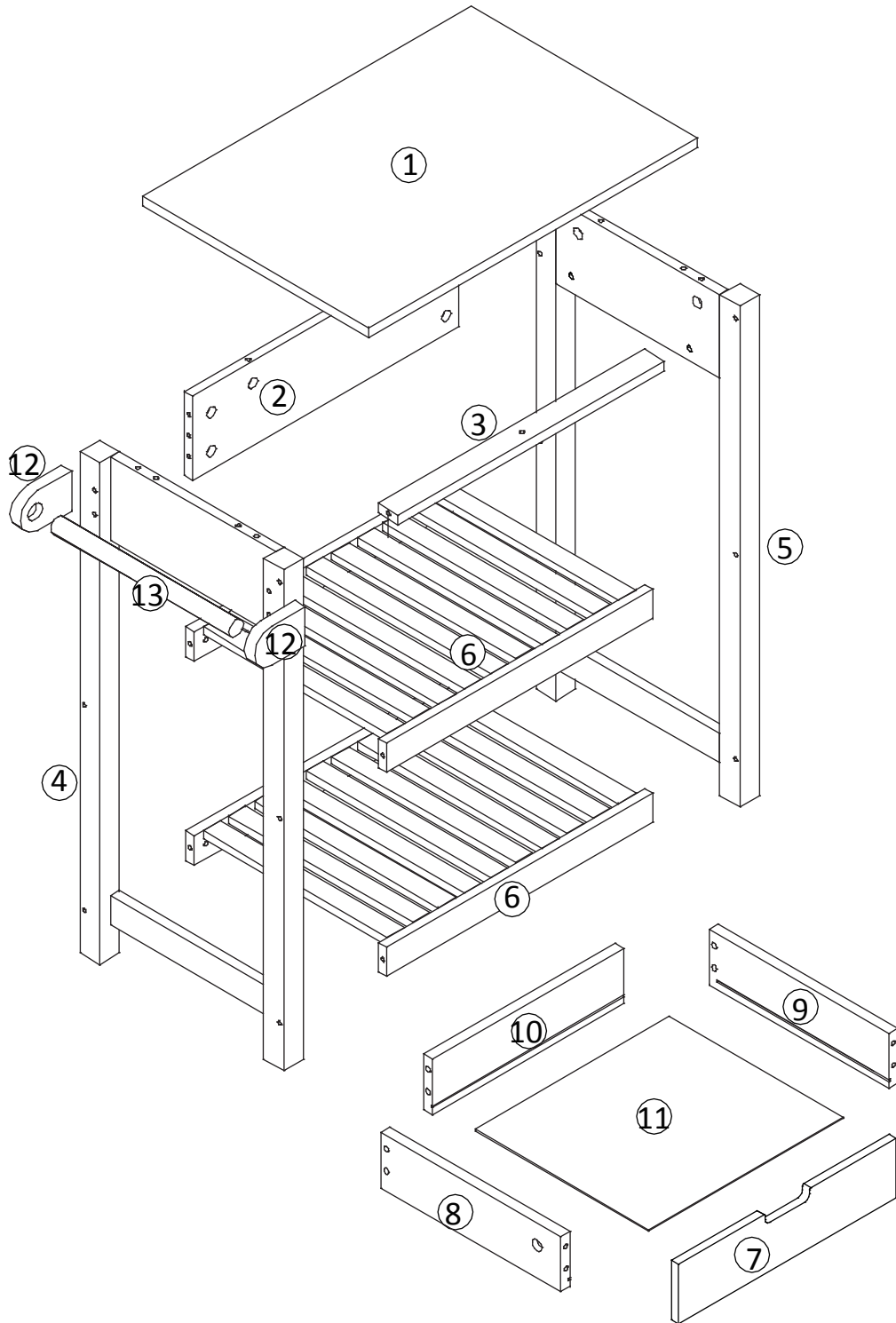


Please Read All Instructions Thoroughly Before Starting Assembly

# Contents

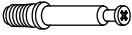


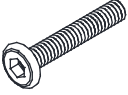




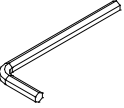

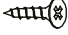
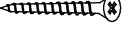
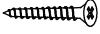
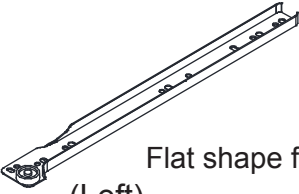
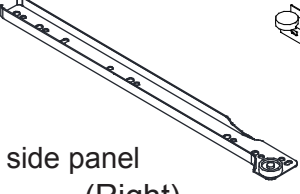
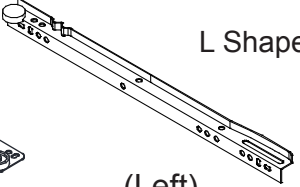
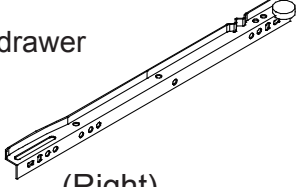
---

This product contains the following:



# Contents

---

					
A x 12	B x 12	C x 10	D x 10	E x 4	F x 2
					
G x 2	H x 1	I x 1	J x 8	O x 12	P x 4
					
Q x 1					
<div style="display: flex; justify-content: space-around; align-items: flex-start;"> <div style="text-align: center;">  <p>(Left) Slider Kx1</p> </div> <div style="text-align: center;">  <p>(Right) Slider Lx1</p> </div> <div style="text-align: center;">  <p>L Shape for drawer (Left) Slider Mx1</p> </div> <div style="text-align: center;">  <p>(Right) Slider Nx1</p> </div> </div>					

# Product Safety

---

## Warnings:

- For domestic, indoor use only.
- We suggest you retain these instructions for future reference.
- Keep fittings out of children's reach and keep children away from construction area.
- This product should only be used on firm, level ground.
- Please periodically check all fittings and re-tighten as necessary.
- Please do not sit or stand on your table.
- Avoid exposing furniture to excessive heat or direct sunlight as this can cause cracking of the wood and deterioration of the colour.
- Unwrap all packaging materials and place the components on the top of the carton box or a clean floor to protect them from damage.
- Make sure legs remain in contact with the ground.



## DO'S

- We suggest you spend a short time reading through this leaflet before you start.
- When you are ready to start, make sure that you have the right tools and plenty of space.
- Unwrap all packaging materials and place the components on a clean surface to protect them from damage.
- We recommend that the packaging is used to protect the surfaces during assembly.
- Carefully check that you have all the parts before beginning assembly.
- Ensure the product is fully assembled as illustrated and all fixings fully tightened before use.
- Check fixings regularly to ensure they remain tight.
- To clean your item, please use a soft cloth slightly dampened with water and wipe clean, then buff with a dry cloth.

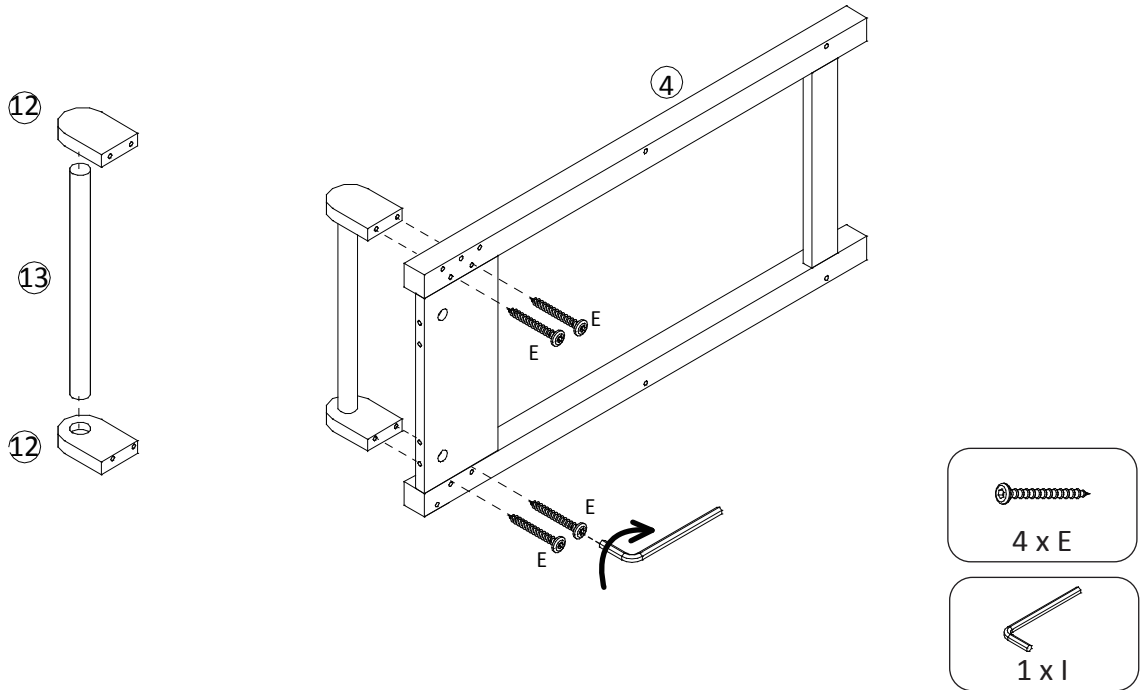


## DON'T'S

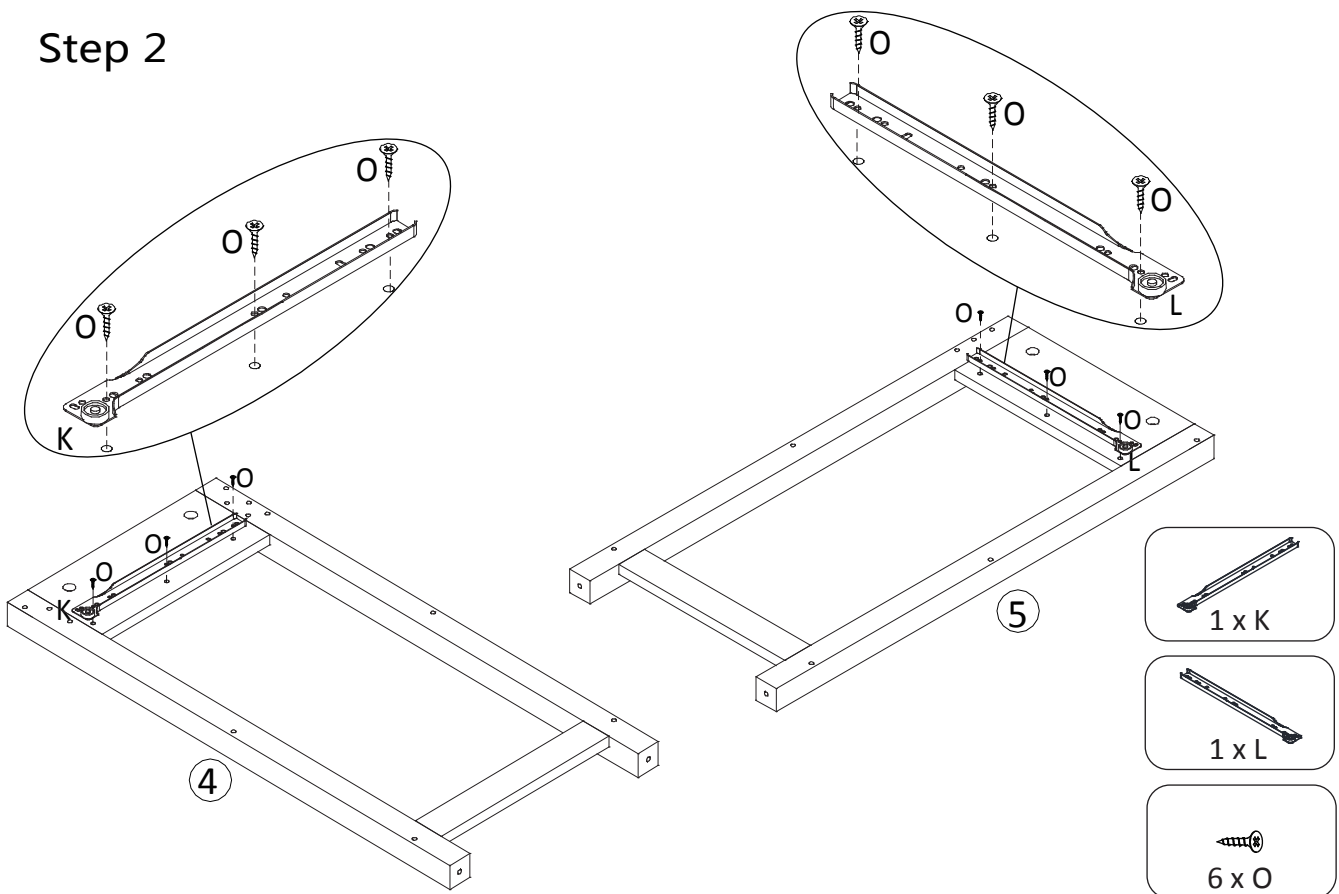
- Do not allow children to stand on the table.
- Do not use silicone based furniture polish.

# Product Assembly

## Step 1

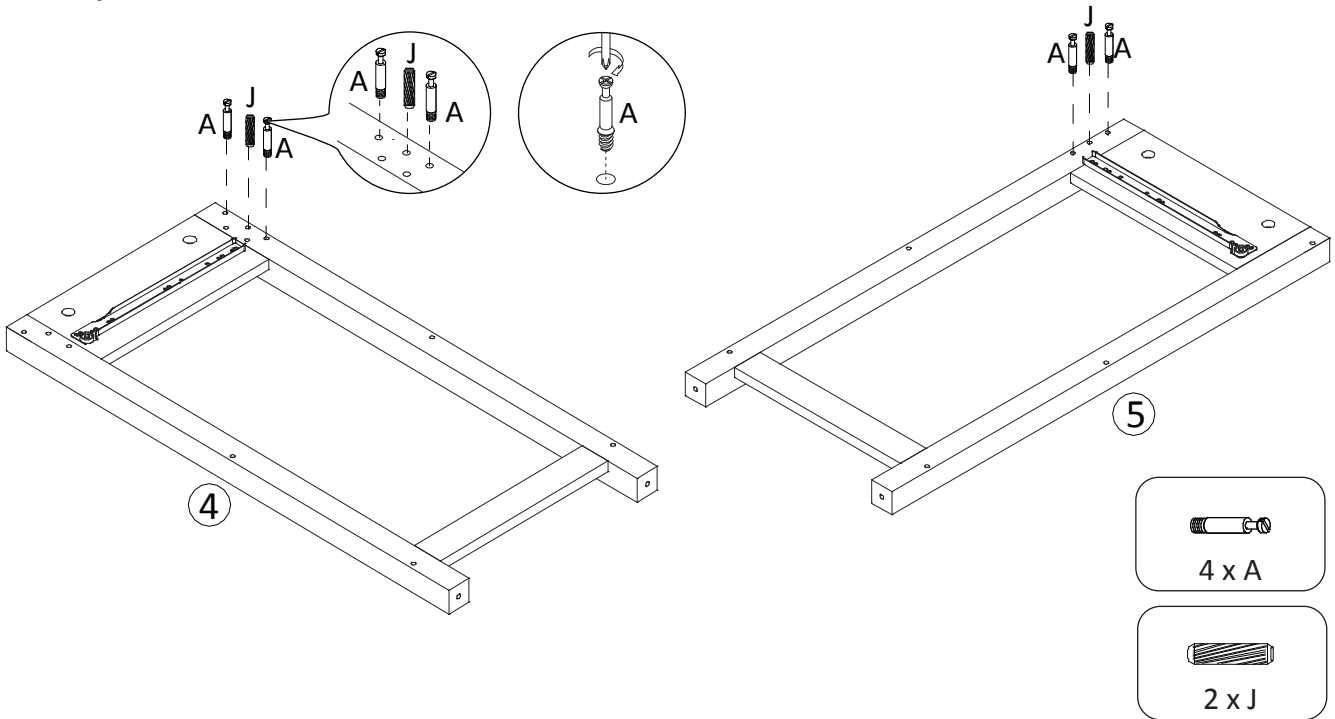


## Step 2

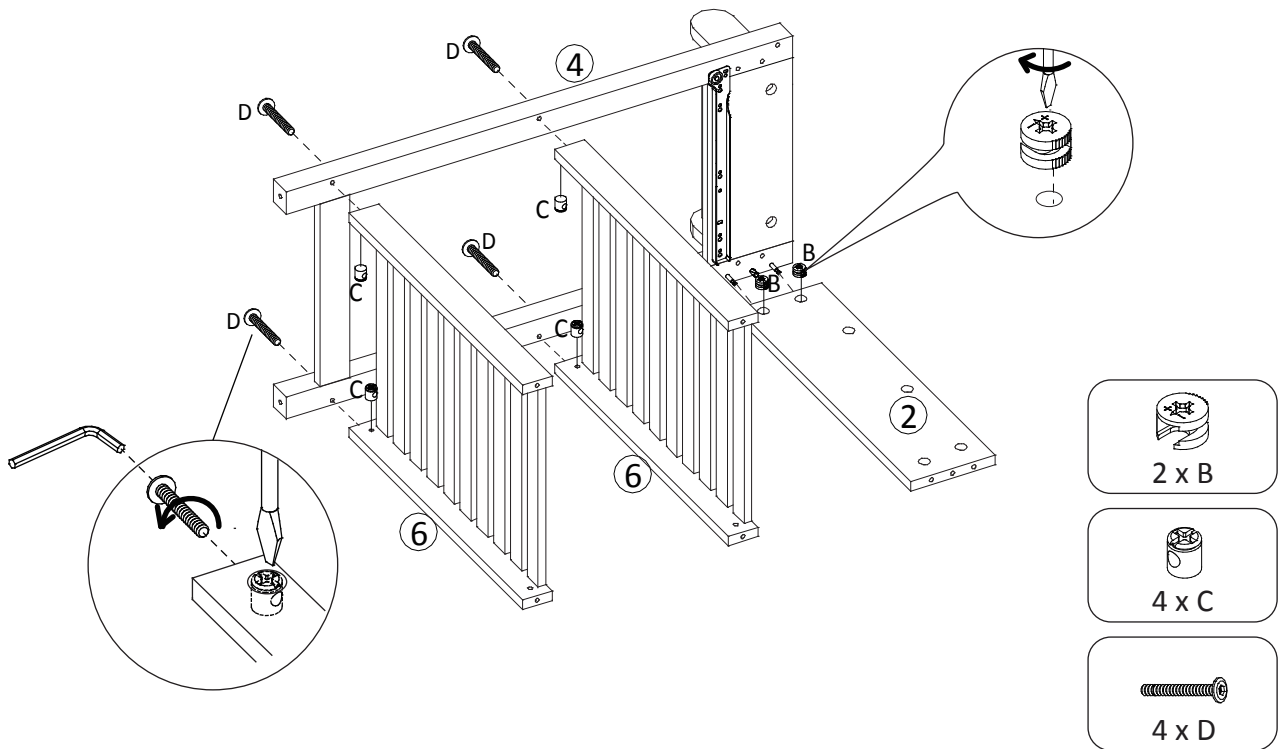


# Product Assembly

## Step 3

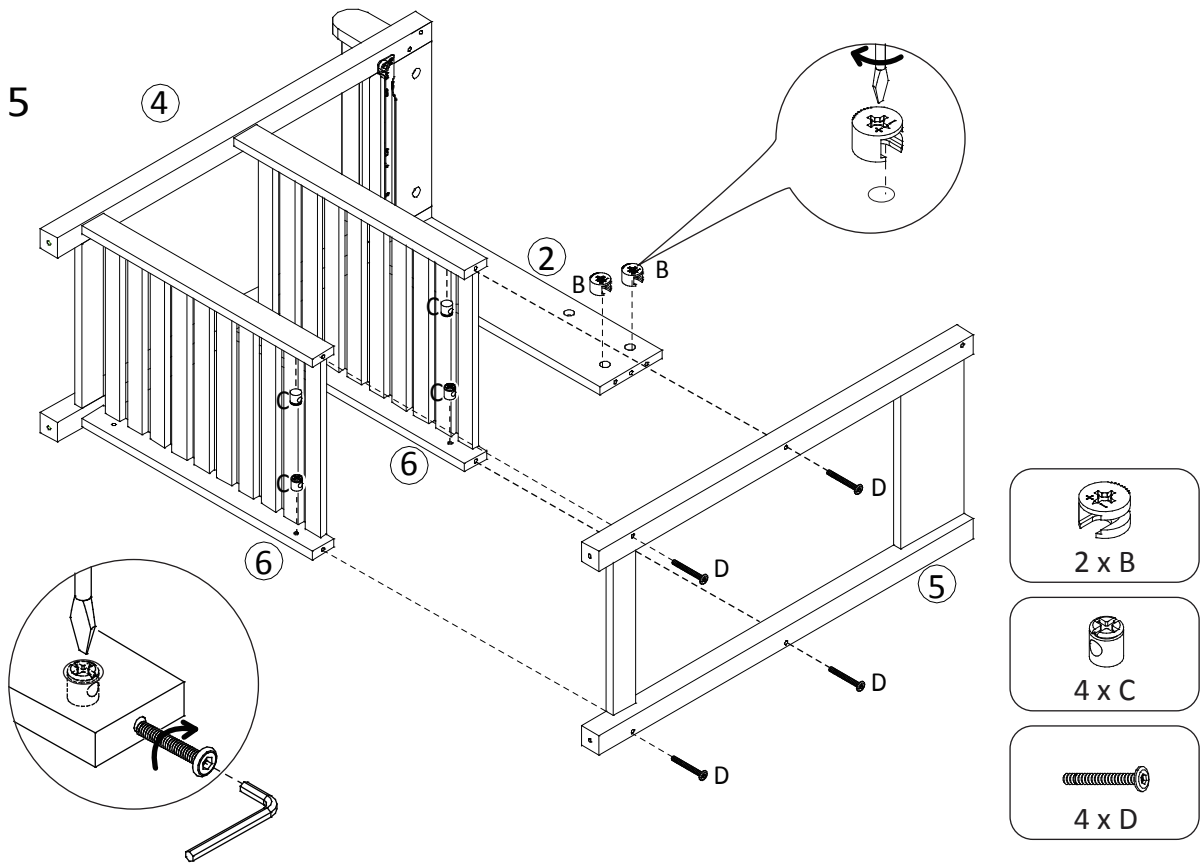


## Step 4

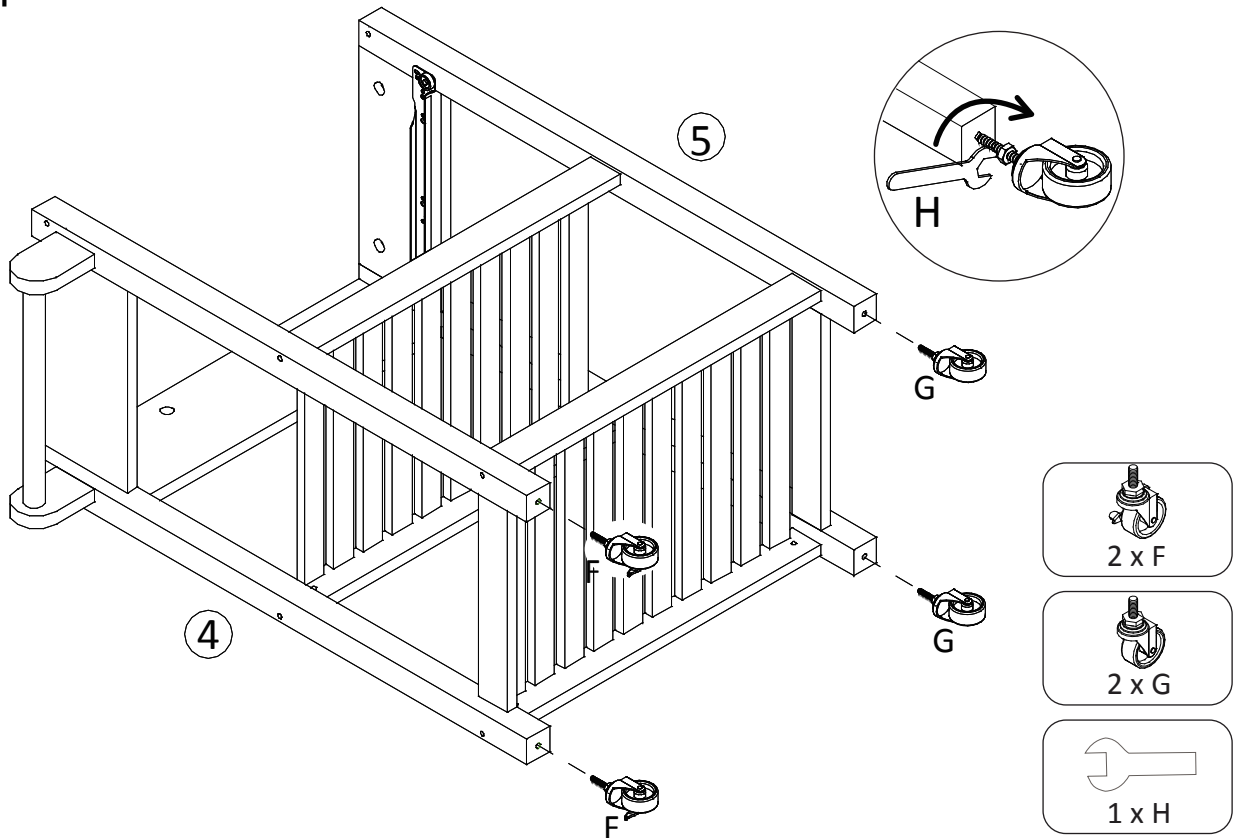


# Product Assembly

## Step 5



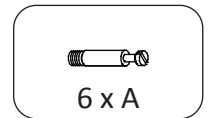
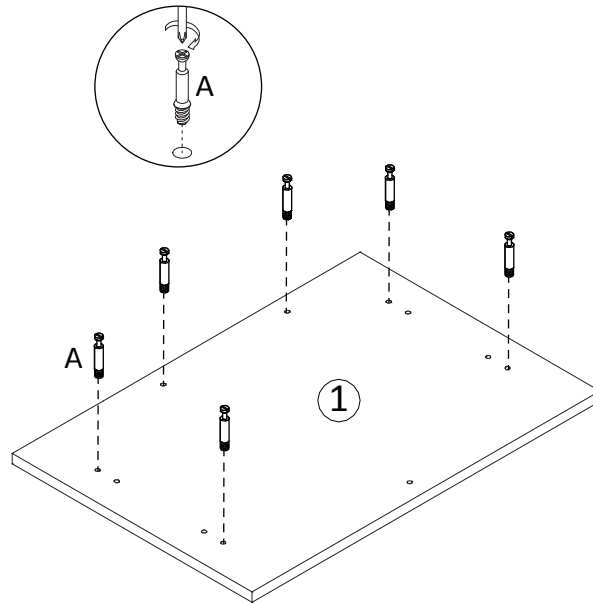
## Step 6



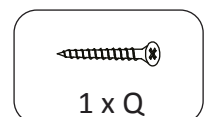
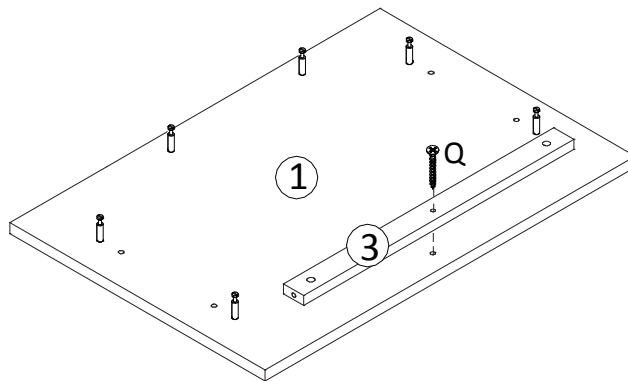
# Product Assembly

---

## Step 7



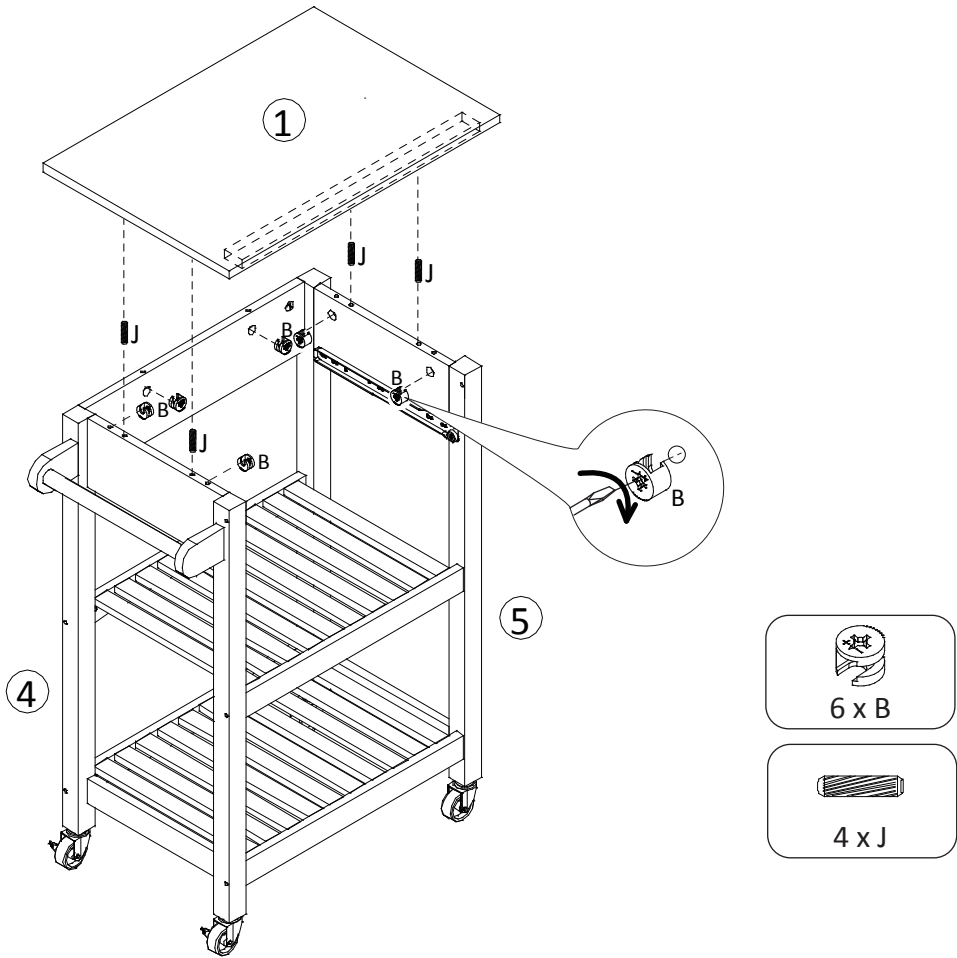
## Step 8



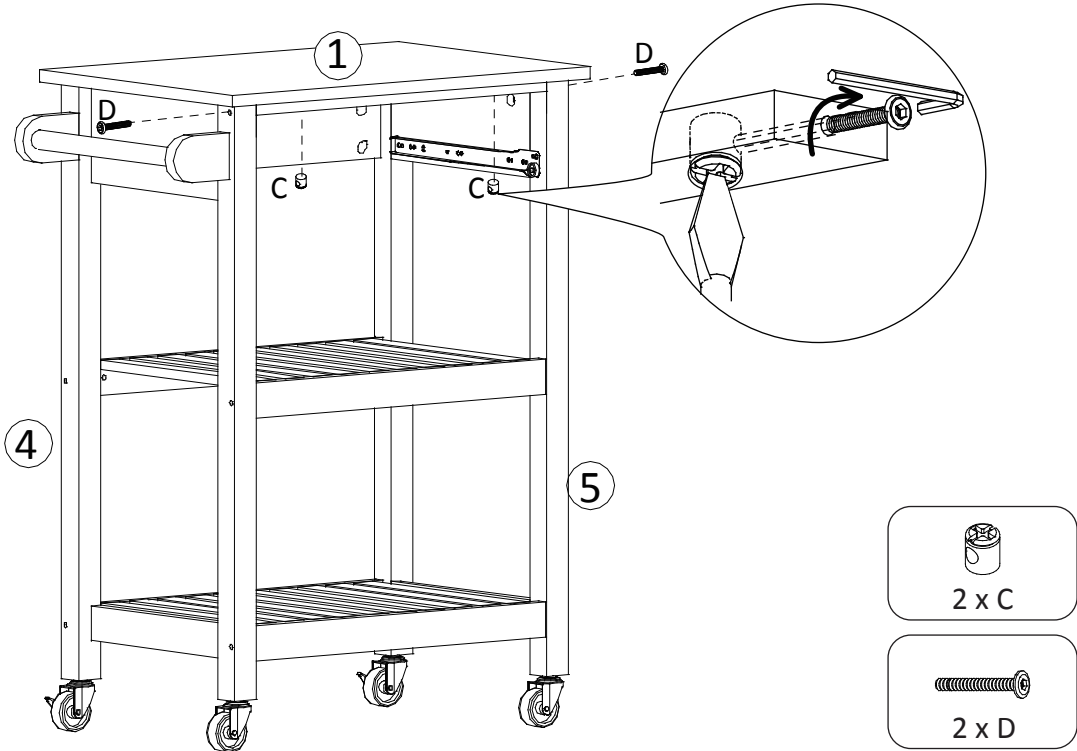


# Product Assembly

Step 9

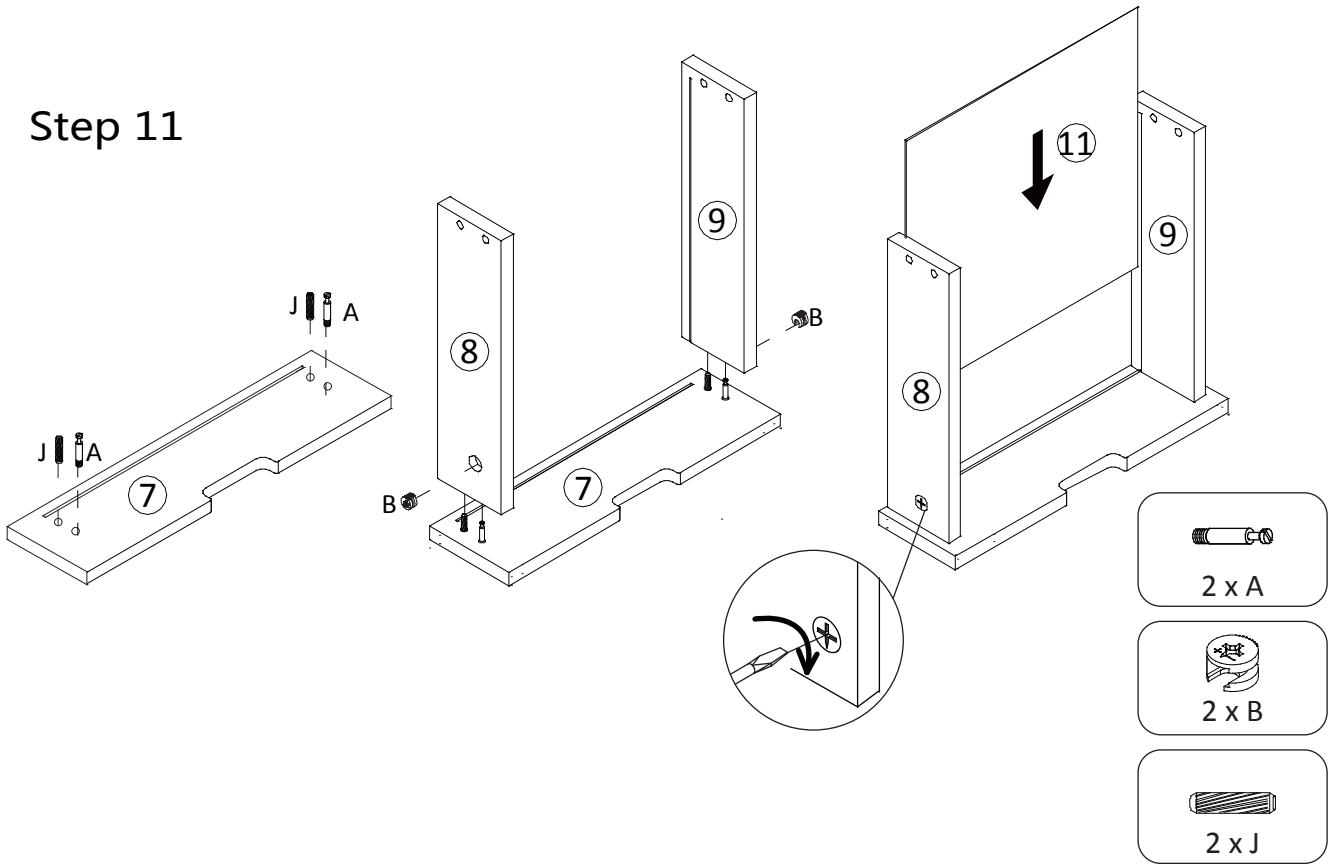


Step 10

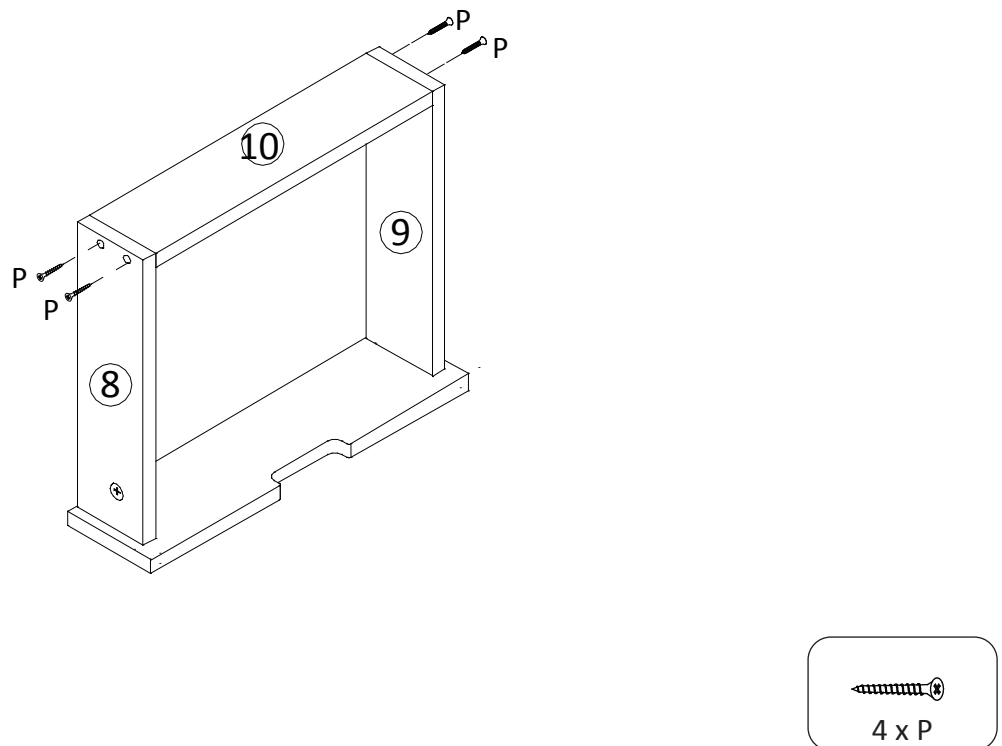


# Product Assembly

## Step 11

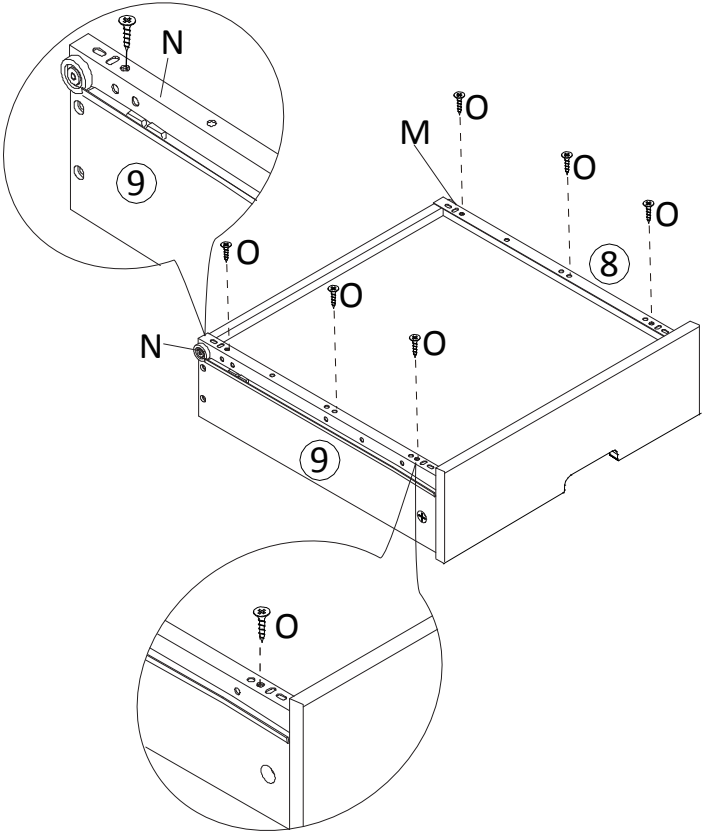


## Step 12



# Product Assembly

Step 13



Step 14

