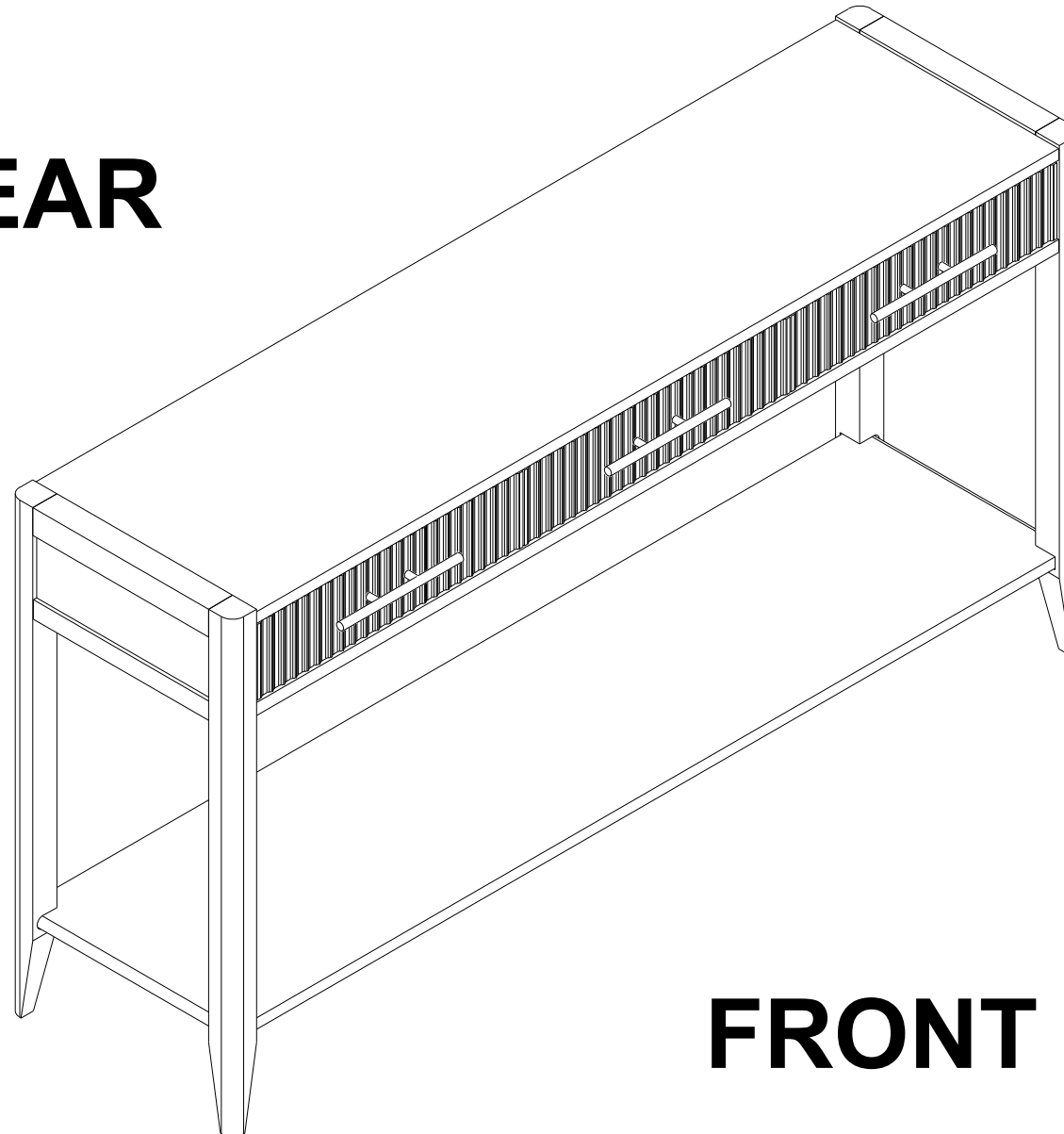


# ASSEMBLY INSTRUCTION

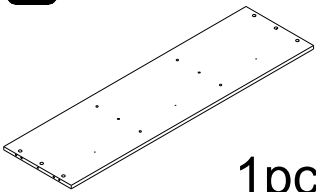
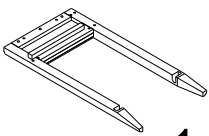
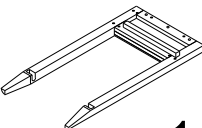
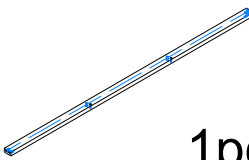
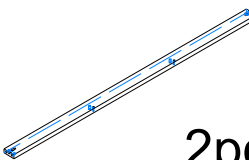
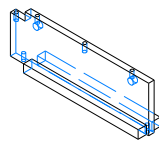
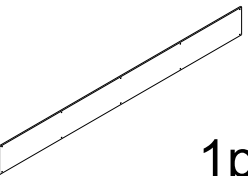
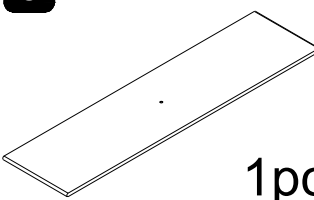
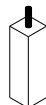
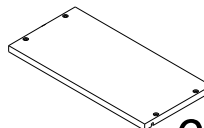
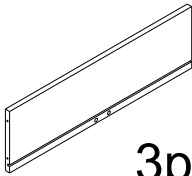
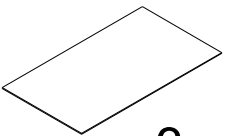
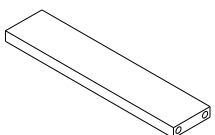
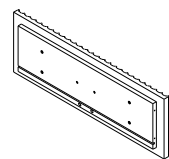
**REAR**



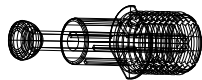
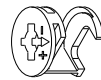



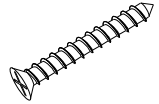
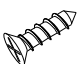
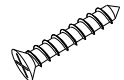
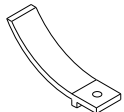
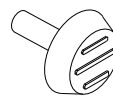
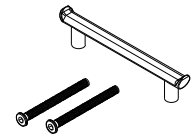
**FRONT**



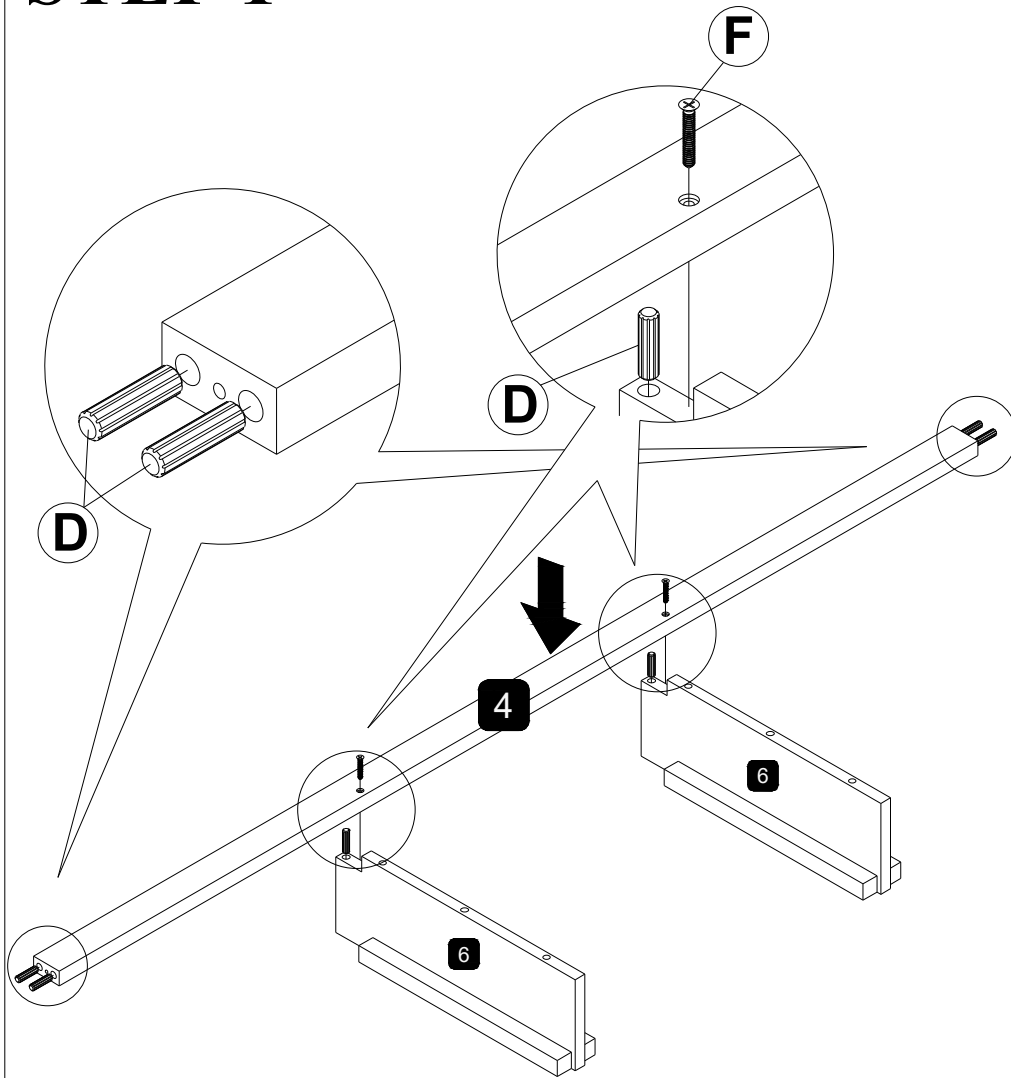
# PART LIST


<b>1</b> Top Panel  1pc	<b>2</b> Side Handle(L)  1pc	<b>3</b> Side Handle(R)  1pc	<b>4</b> Upper Support Rail  1pc	<b>5</b> Lower Support Rail  2pcs	<b>6</b> Division  2pcs
<b>7</b> Back Panel  1pc	<b>8</b> Bottom Panel  1pc	<b>9</b> Support Leg  1pc	<b>10</b> Drawer Side Panel  6pcs	<b>11</b> Drawer Rear Panel  3pcs	<b>12</b> Drawer Base Panel  3pcs
<b>13</b> Drawer Support Rail  3pcs	<b>14</b> Drawer Front Panel  3pcs				

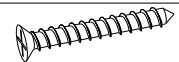
# HARDWARE LIST

<b>A</b> MINI FIX SPREADING BOLT 24MM  10pcs	<b>B</b> MINIFIX HOUSING Ø15*12MM  6pcs	<b>C</b> MINIFIX HOUSING Ø15*10MM  4pcs	<b>D</b> WOOD DOWEL M8*30MM  36pcs	<b>E</b> PAN HEAD M3.5*16MM  10pcs	<b>F</b> CSK SCREW M4*30MM  12pcs
<b>G</b> CSK SCREW M4*16MM  3pcs	<b>H</b> CSK SCREW M4*25MM  24pcs	<b>I</b> STOPPER  3pcs	<b>J</b> ADJUSTABLE  1pc	<b>K</b> HANDLE  3sets	

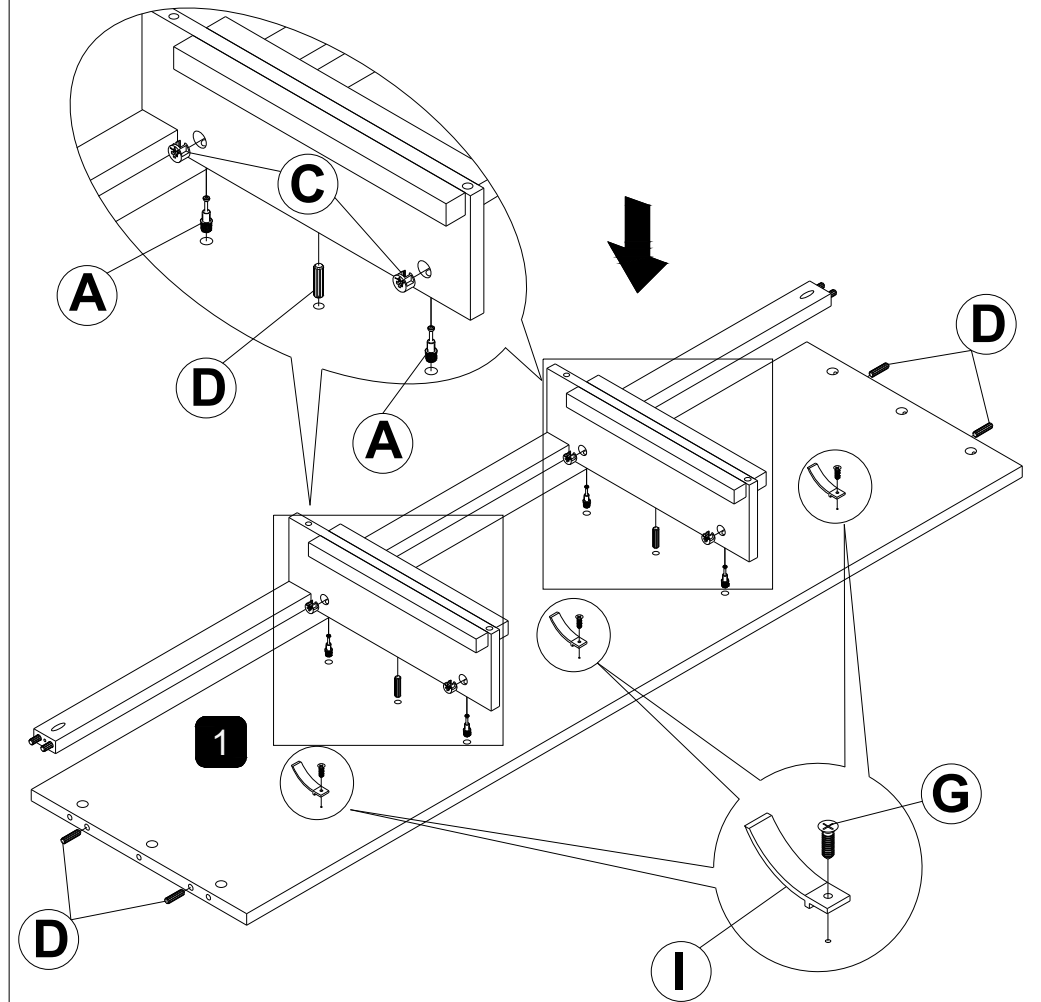
# STEP 1

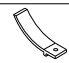
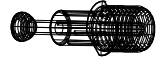


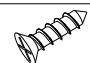

 D X 6pcs


 F X 2pcs

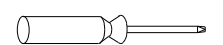
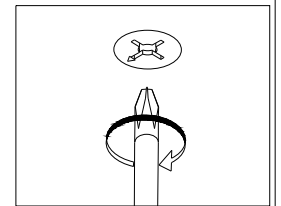
# STEP 2



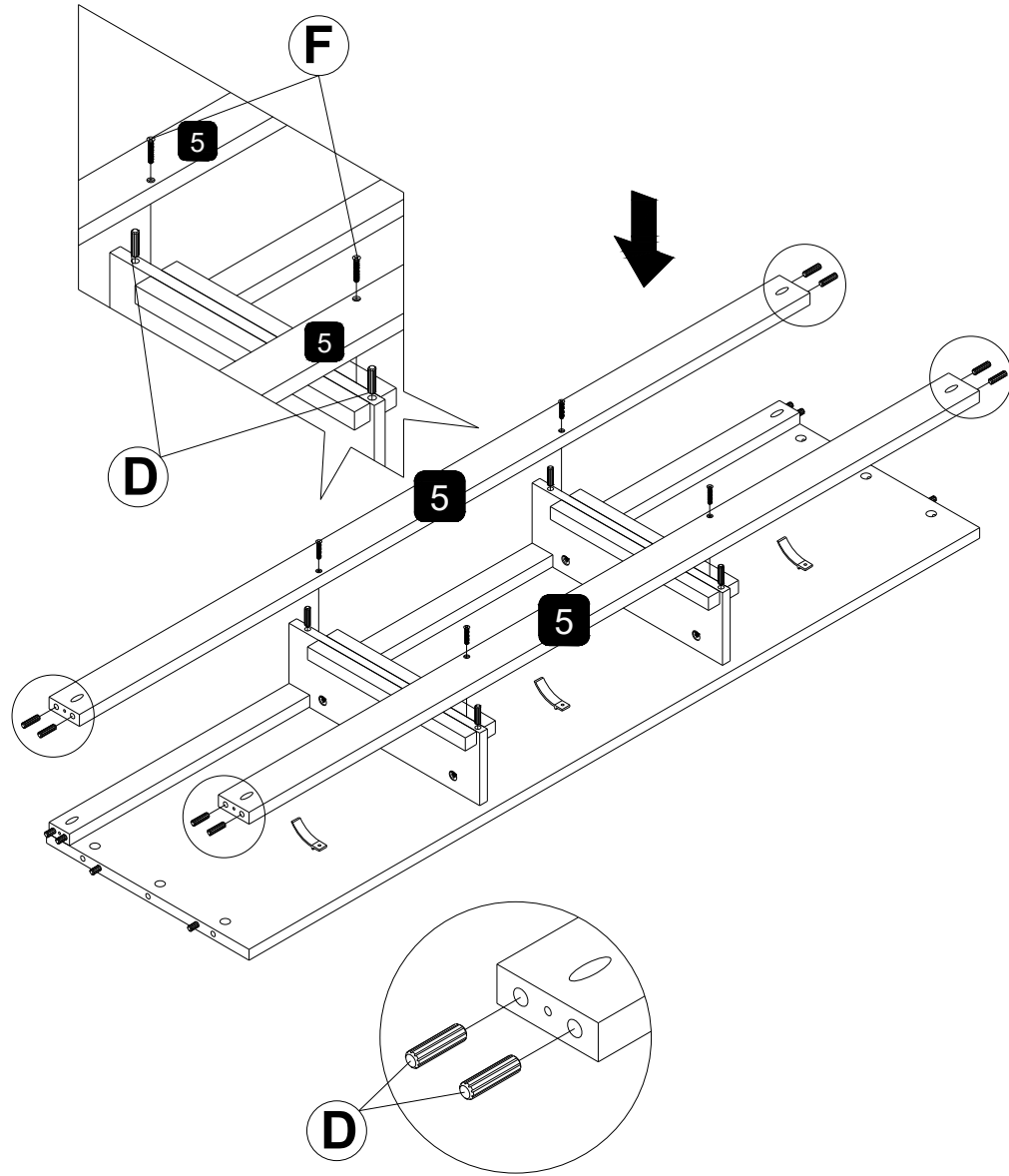
 I X 3pcs  
 A X 4pcs

 G X 3pcs  
 C X 4pcs

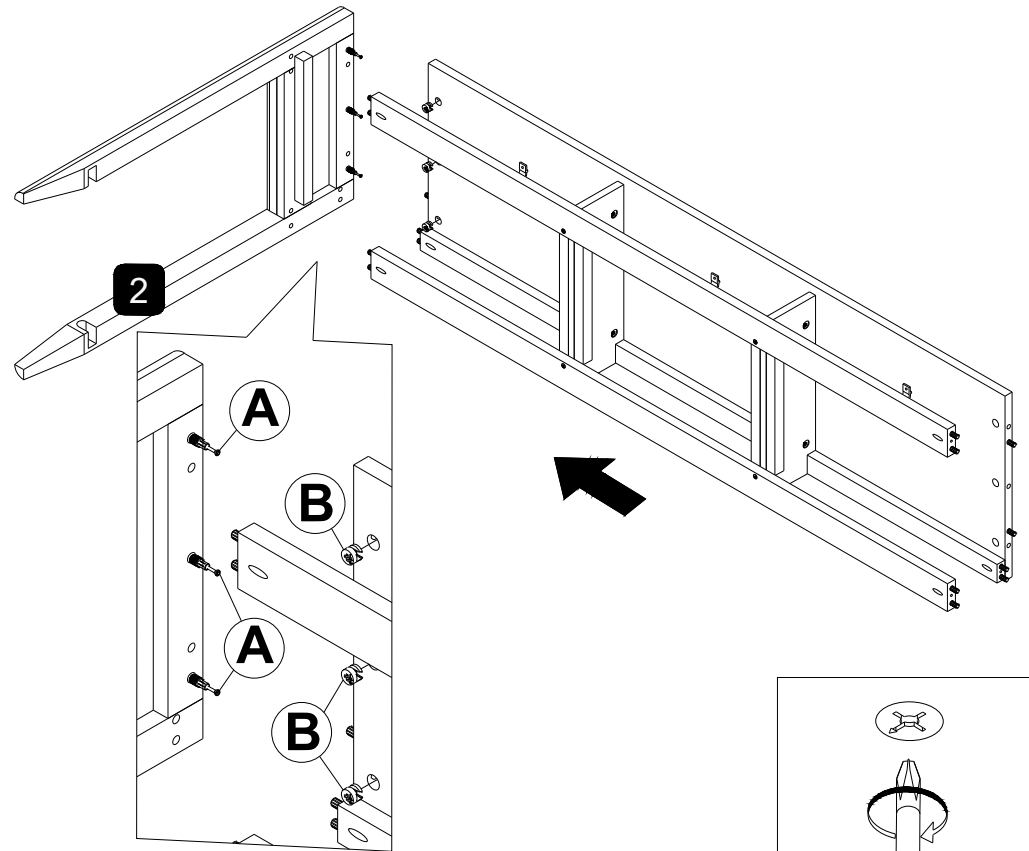
 D X 6pcs





# STEP 3



# STEP 4

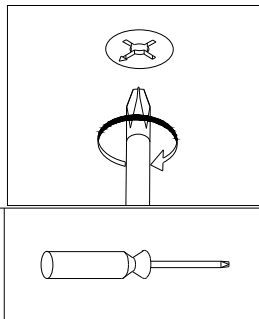


  
D X 12pcs

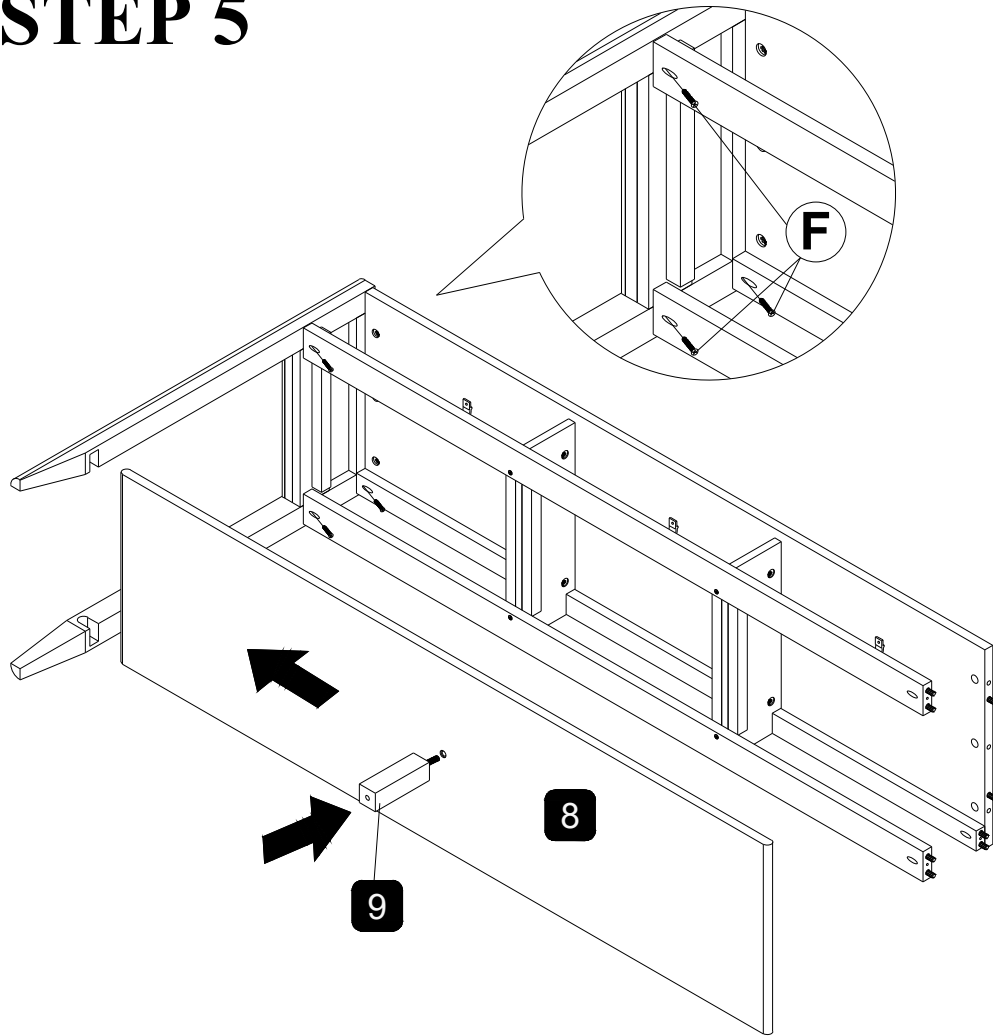
  
F X 4pcs

  
A X 3pcs

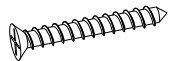
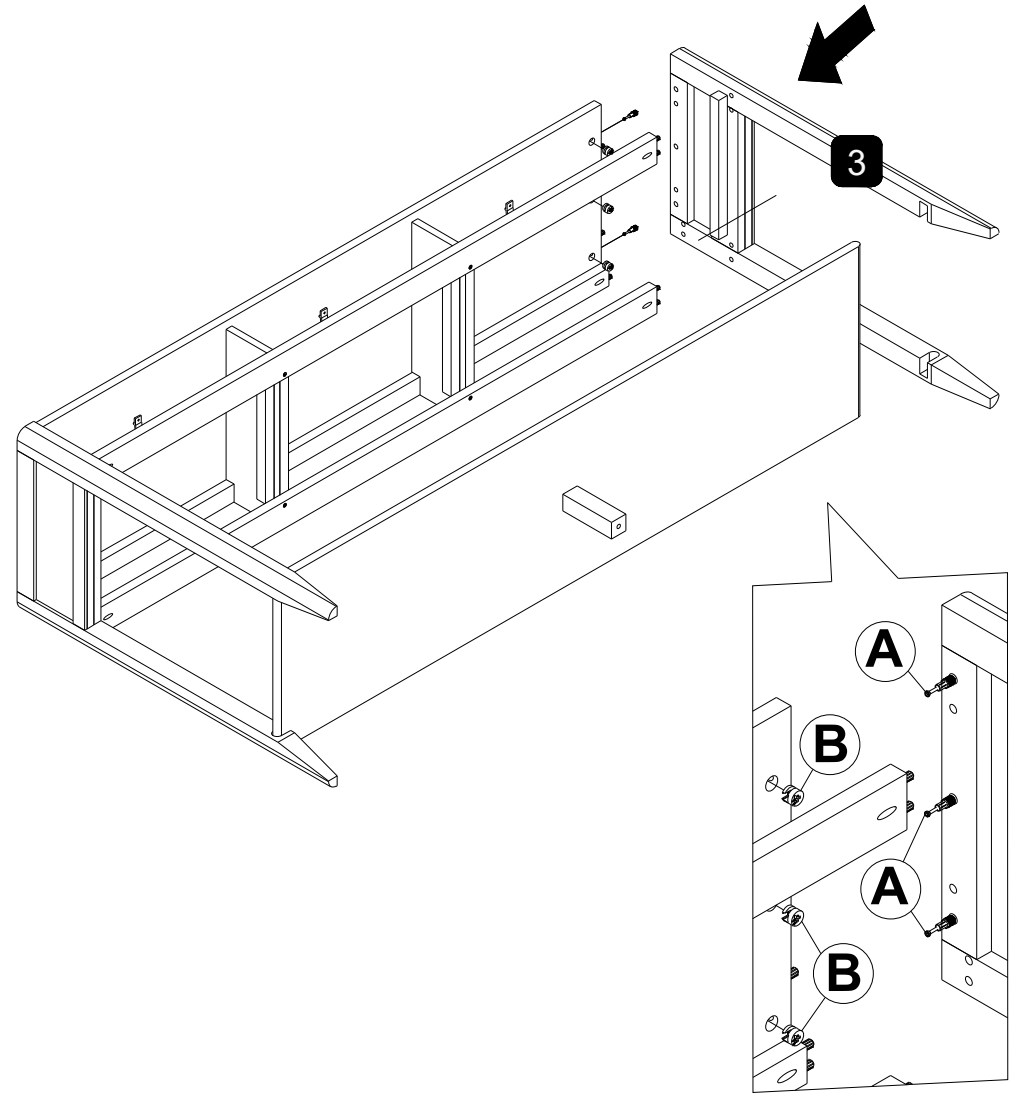
  
B X 3pcs



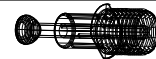
# STEP 5



# STEP 6



F X 3pcs

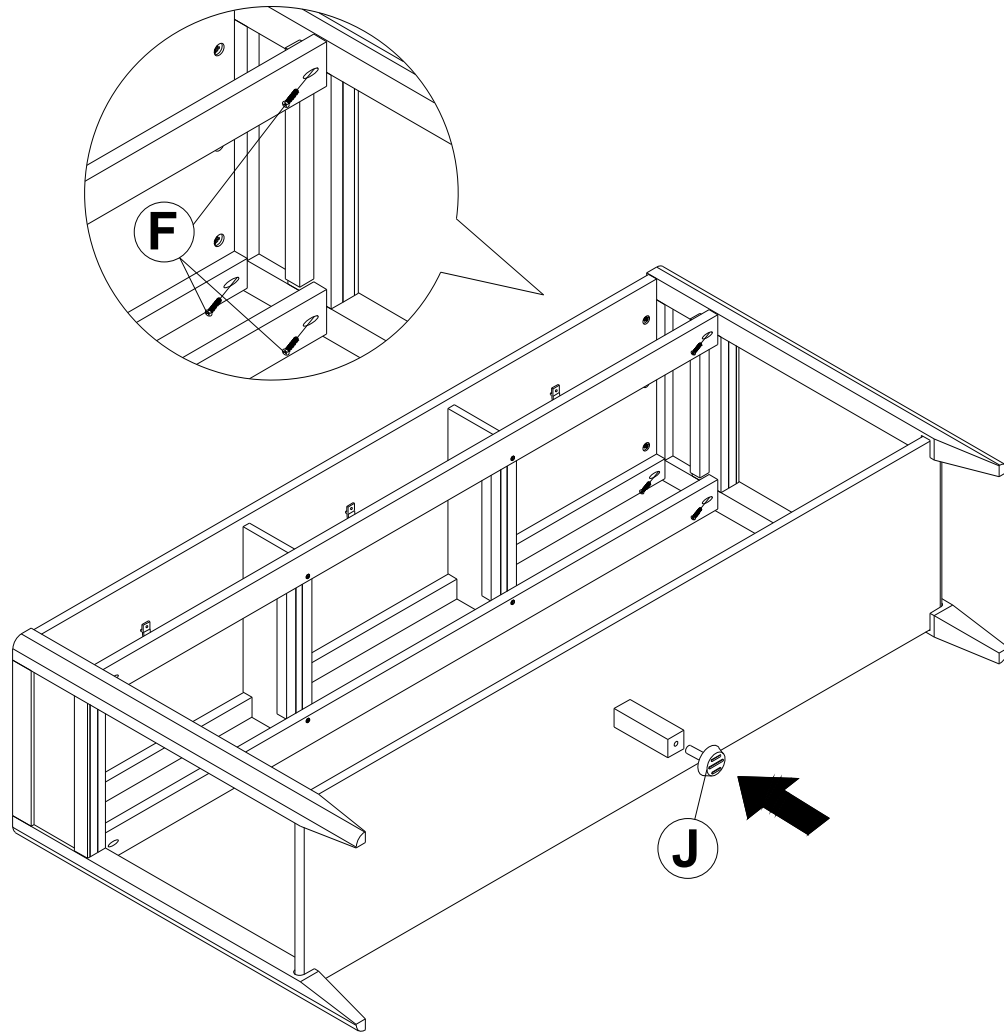


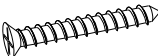
A X 3pcs



B X 3pcs

# STEP 7

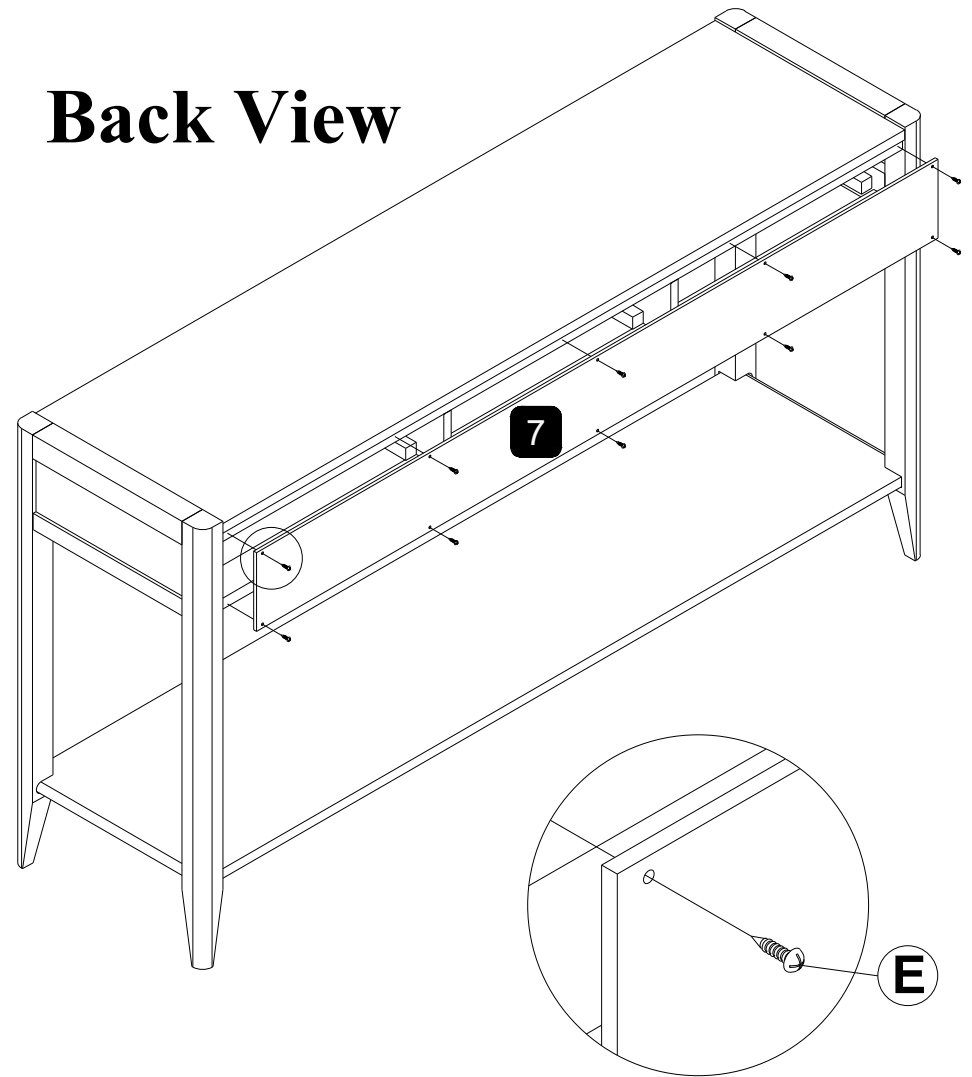


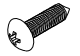
  
F X 3pcs

  
J X 1pc

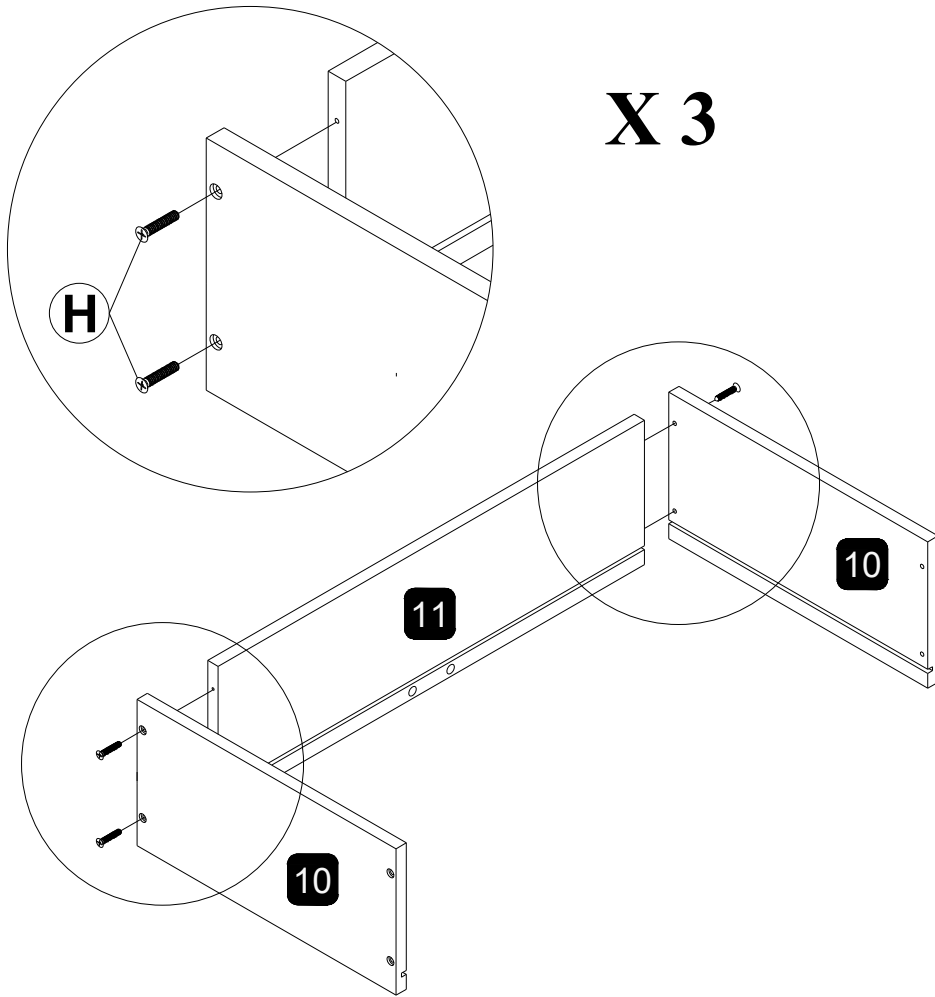
# STEP 8

## Back View

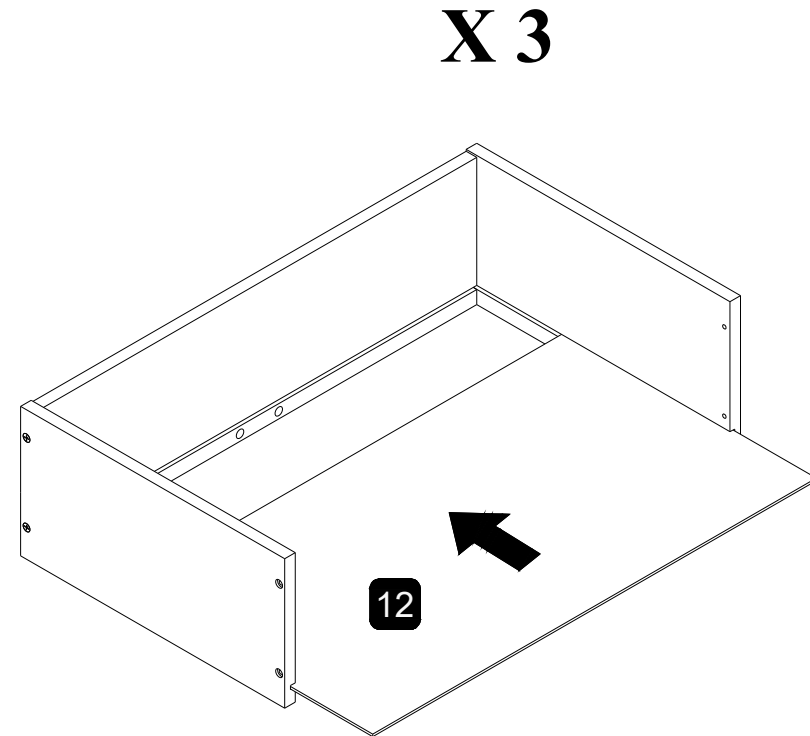


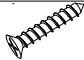
  
E X 10pcs

# STEP 9

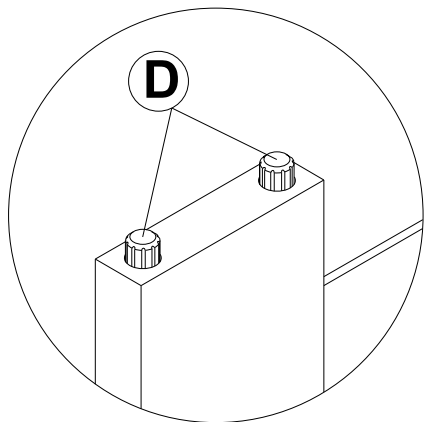


# STEP 10

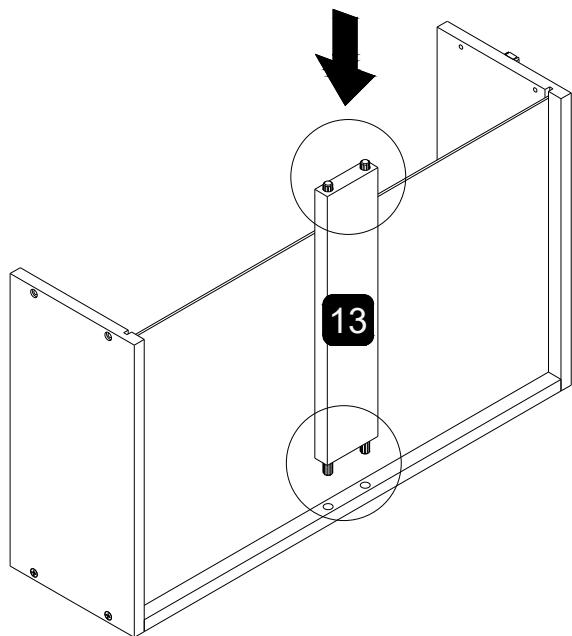


  
H X 12pcs

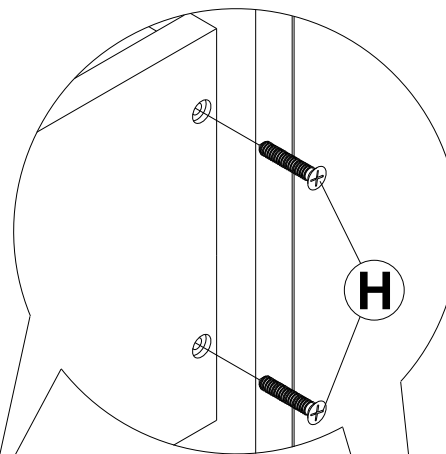
# STEP 11



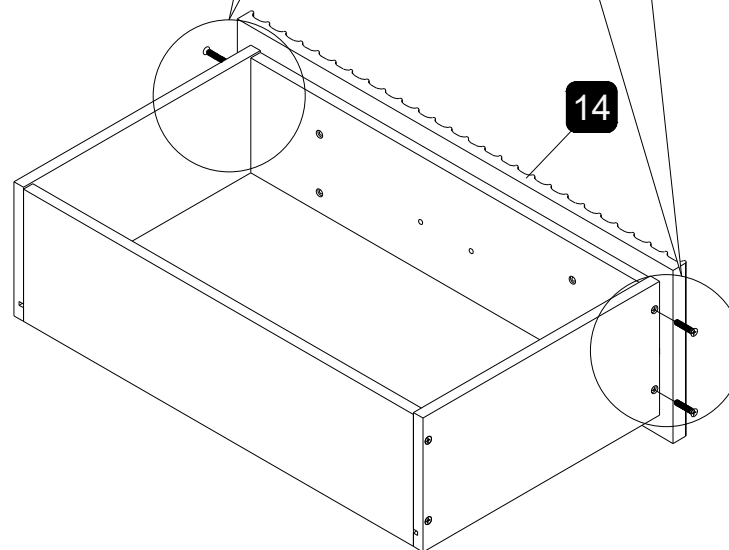
X 3



# STEP 12



X 3



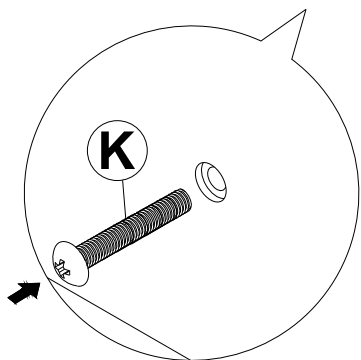
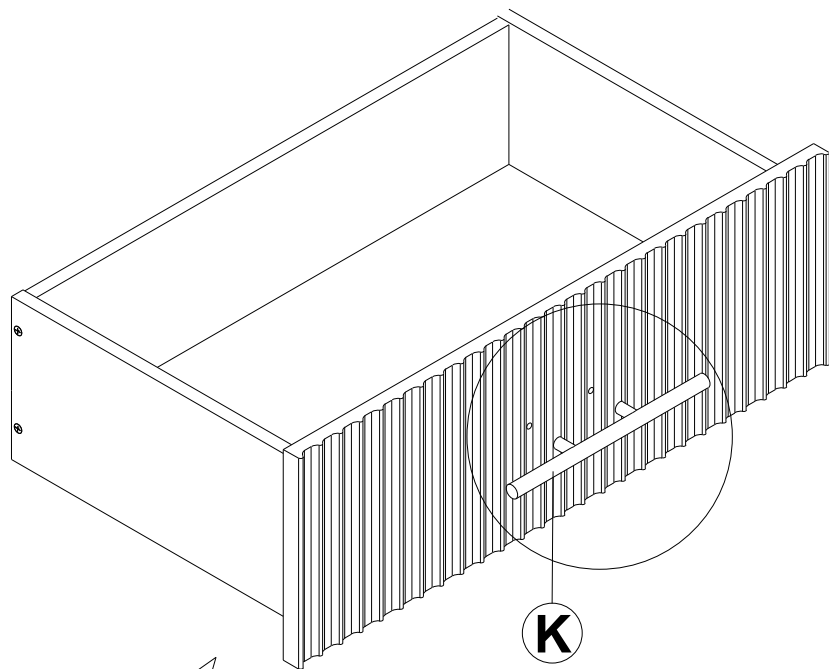
D X 12pcs



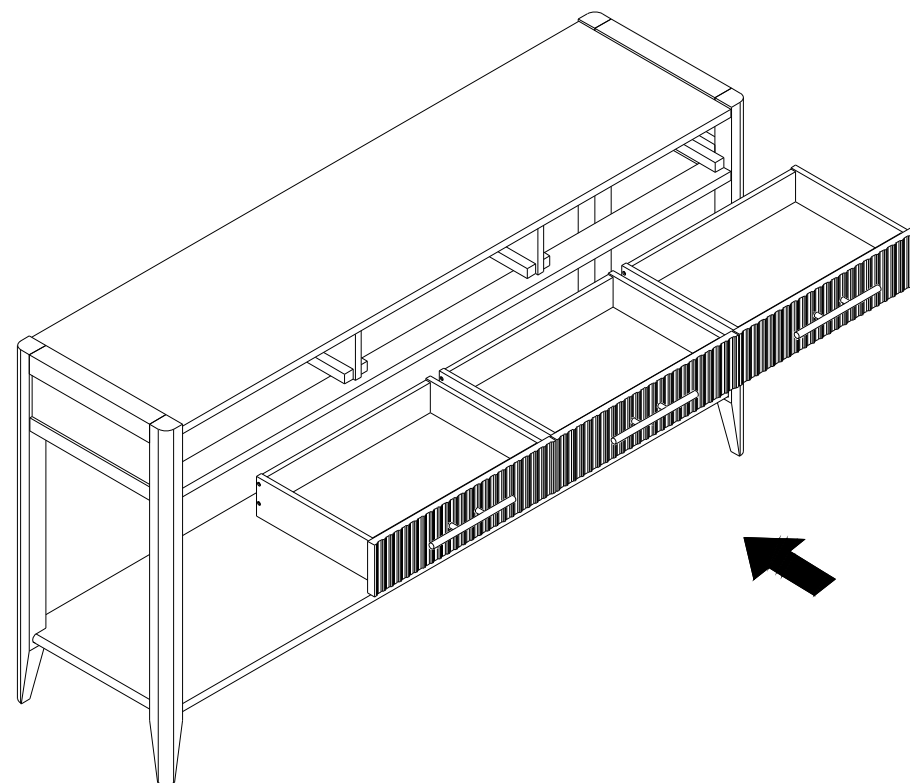
H X 12pcs

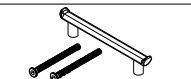
# STEP 13

X 3

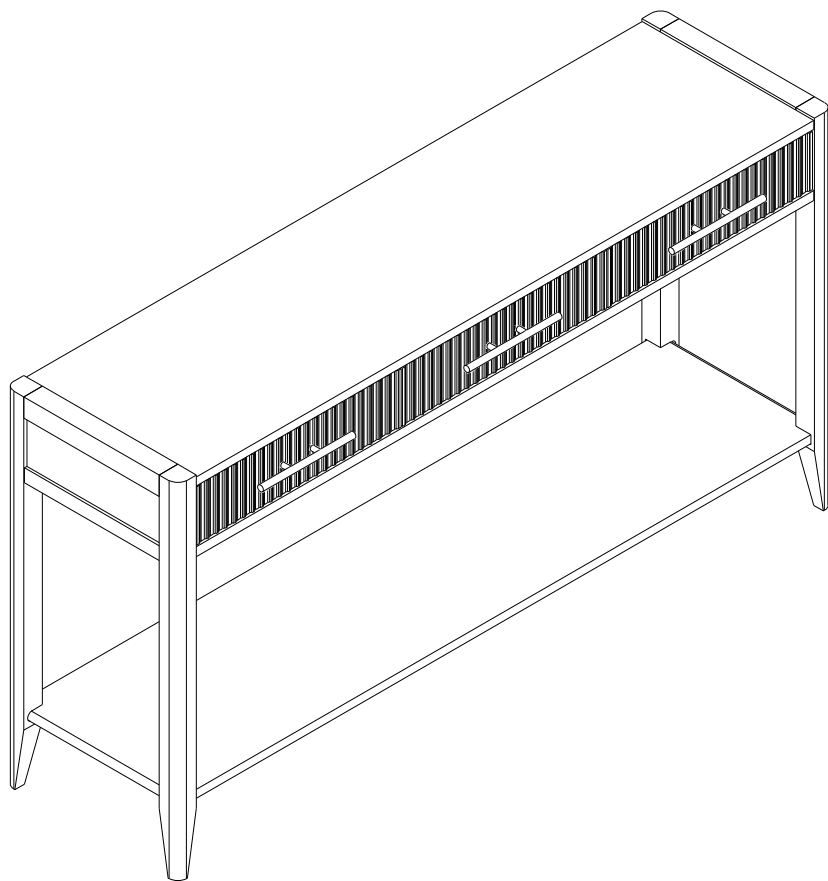


# STEP 14



  
K X 3sets

# ASSEMBLY COMPLETE



**NOTE: This is not a clothing storage cabinet and it is not recommended to use it as a clothing storage cabinet.**

--	--	--	--	--	--	--	--