

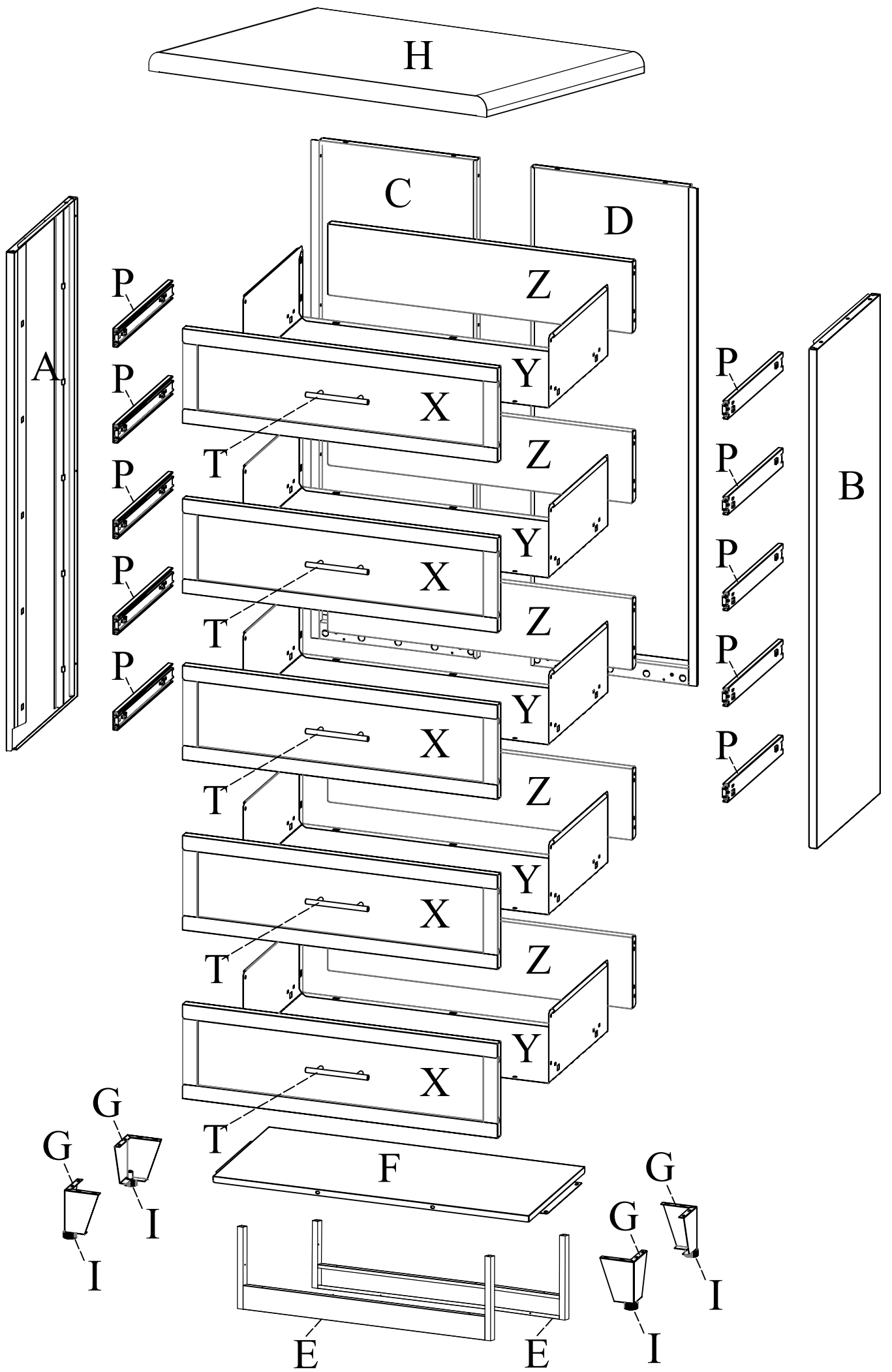


**Important!**

Thank you for your purchase. Please open it carefully.

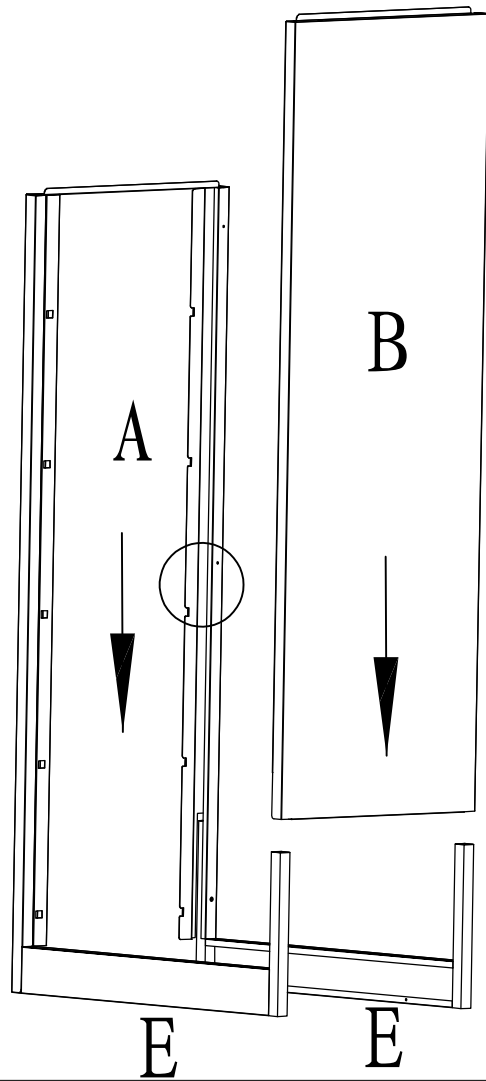
If you encounter any problems, please contact us.

Service tenet - to enable customers to enjoy high-quality service.

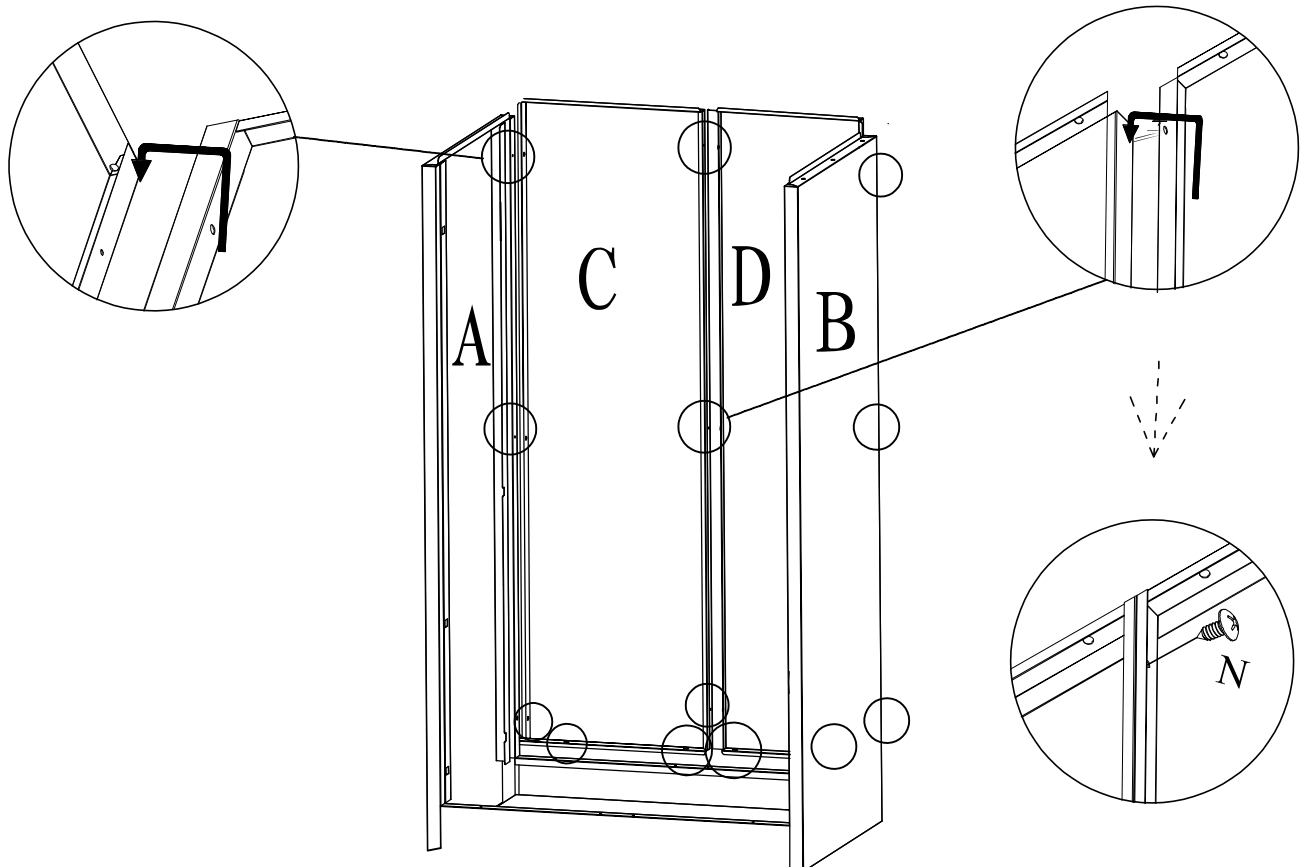




1

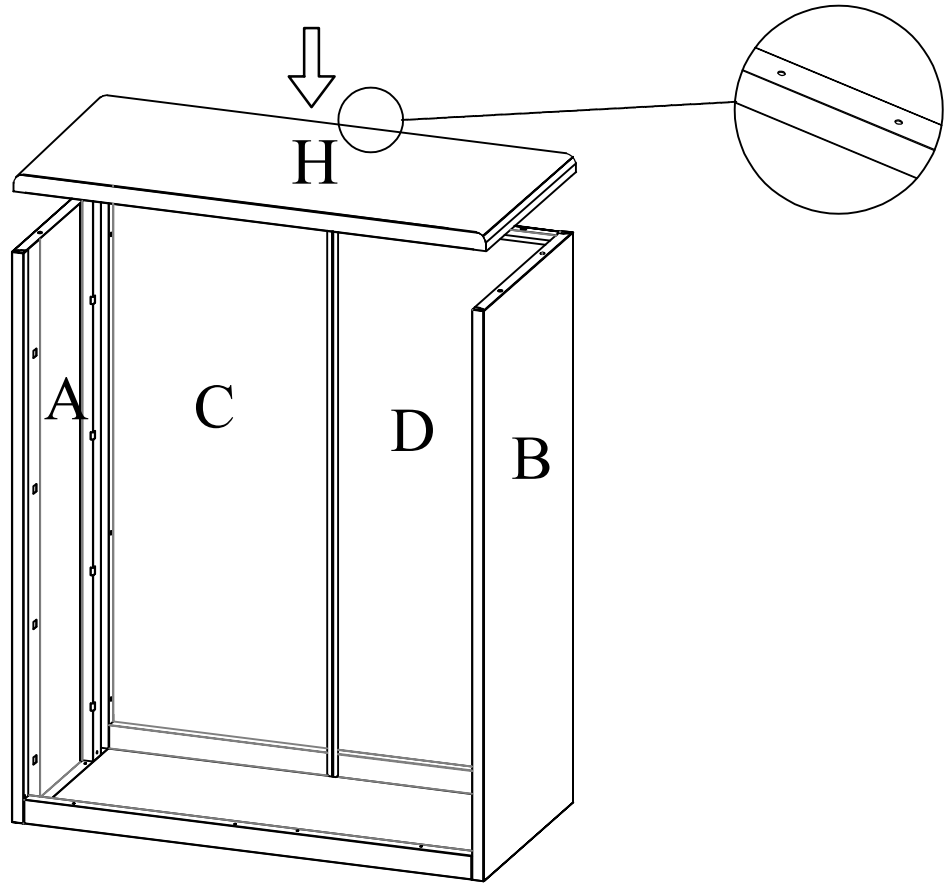


2

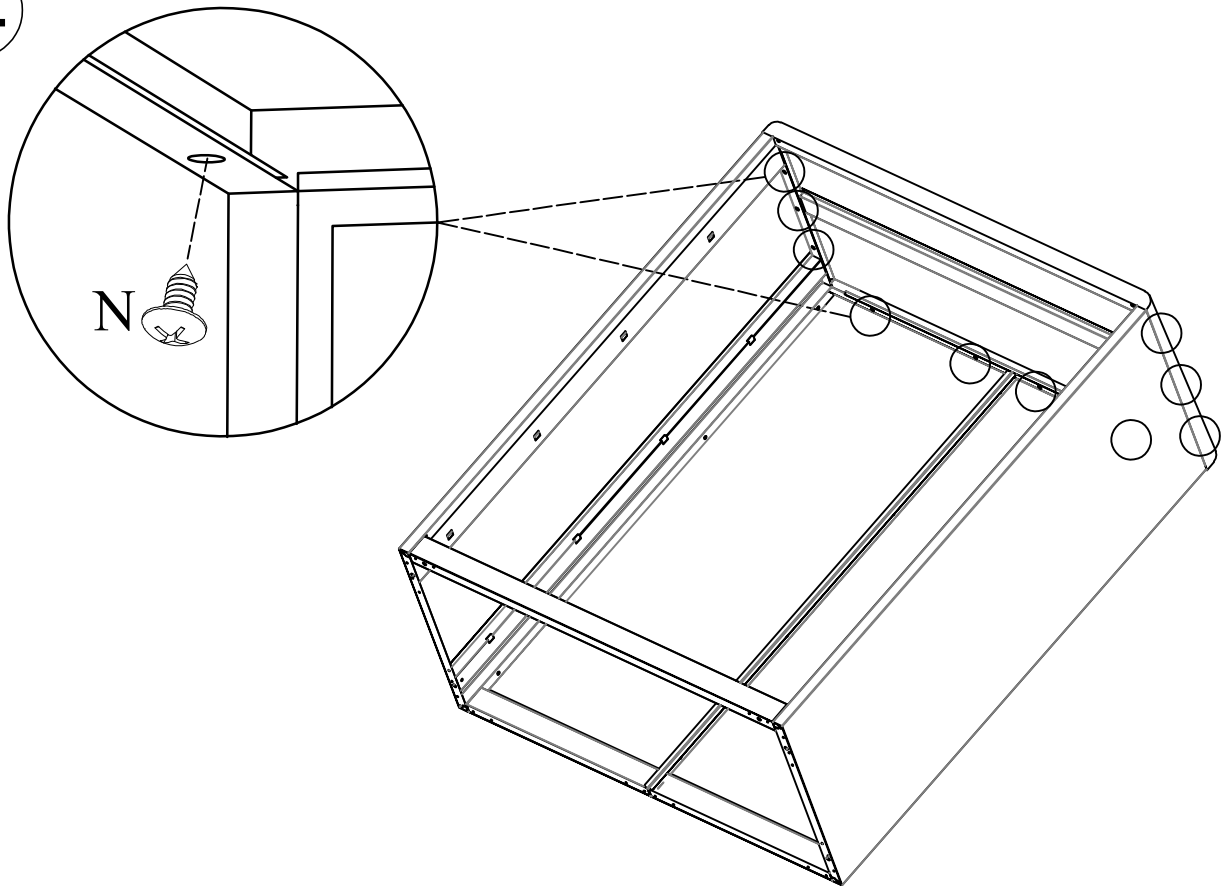


 N×13

3

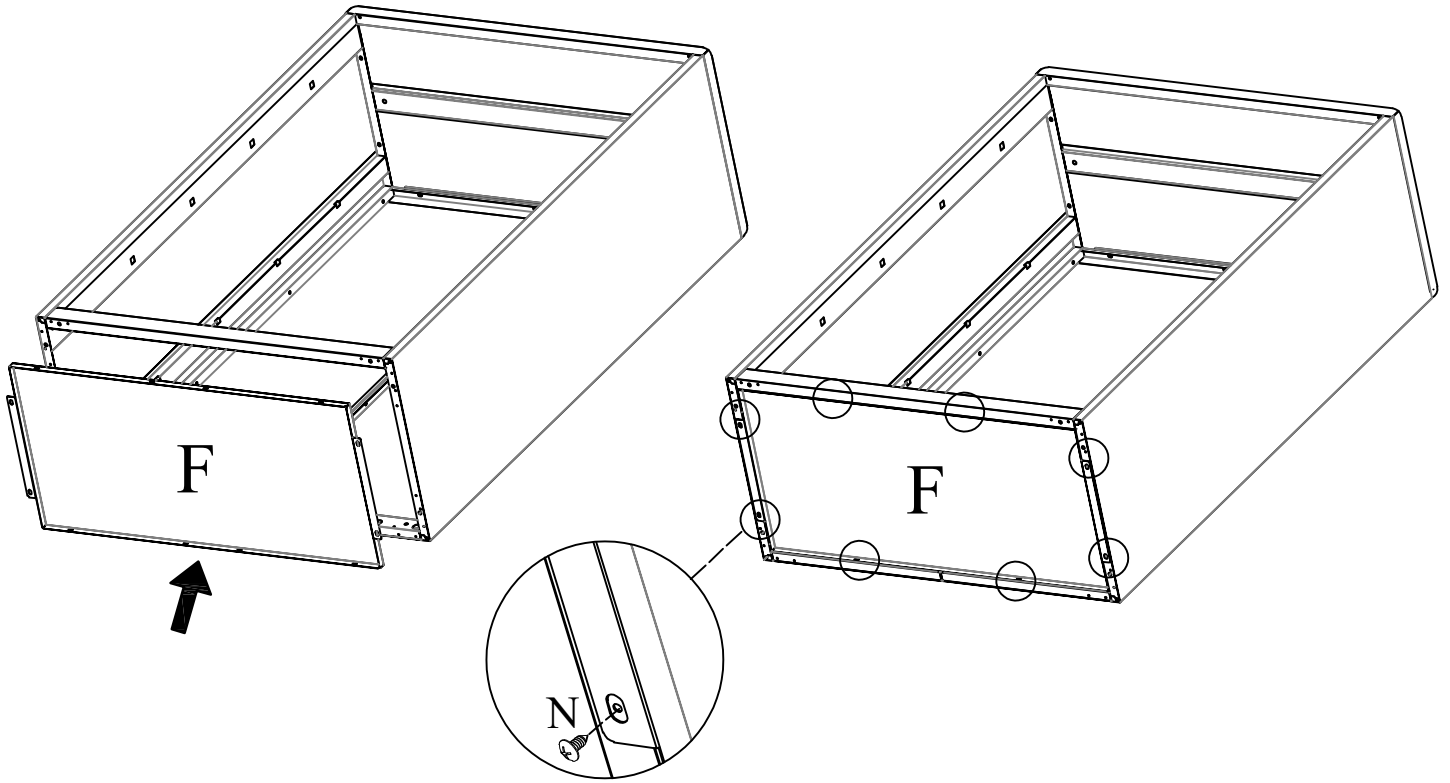


4



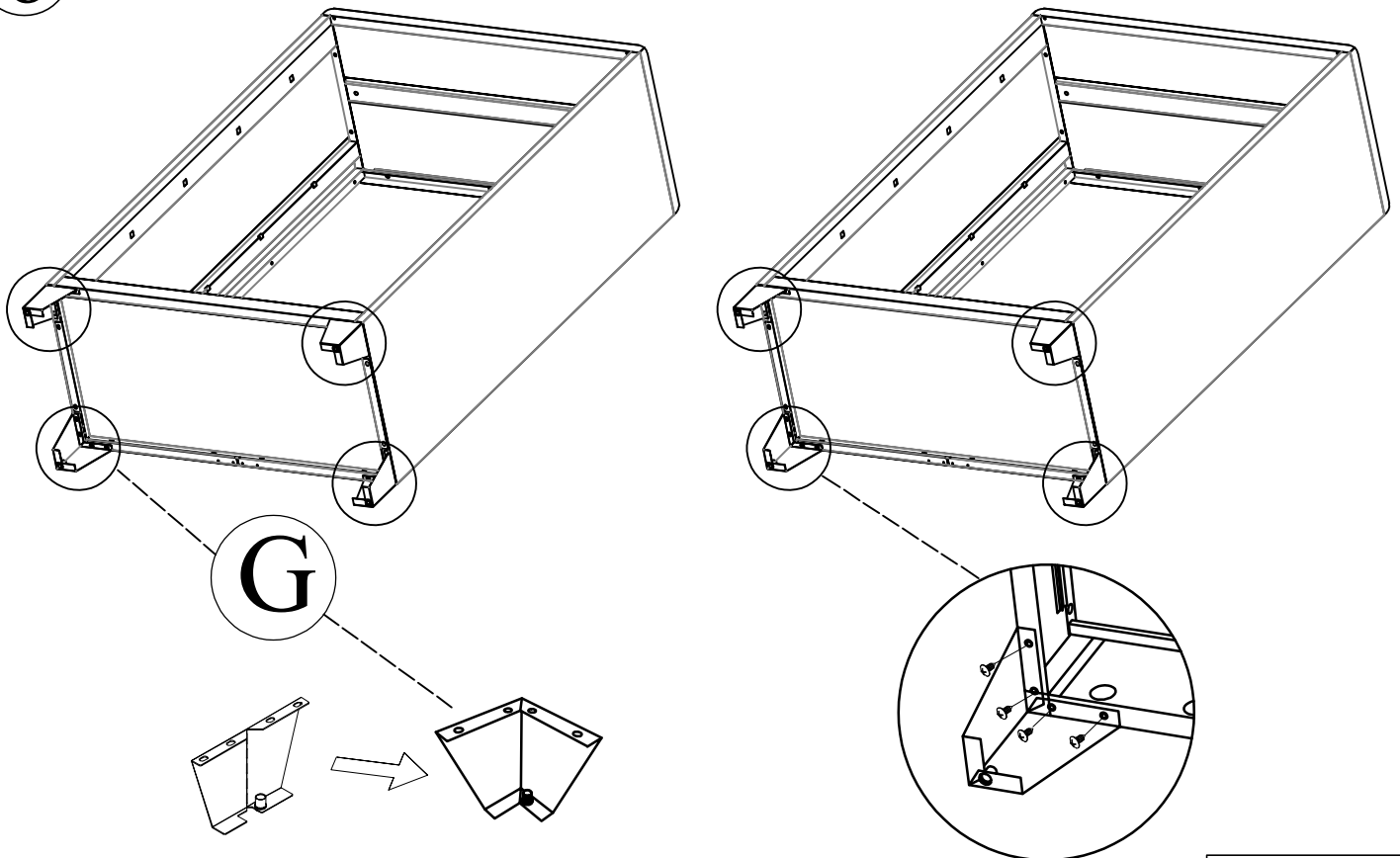
 N×10

5



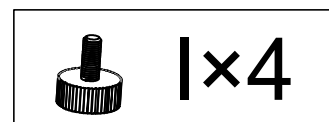
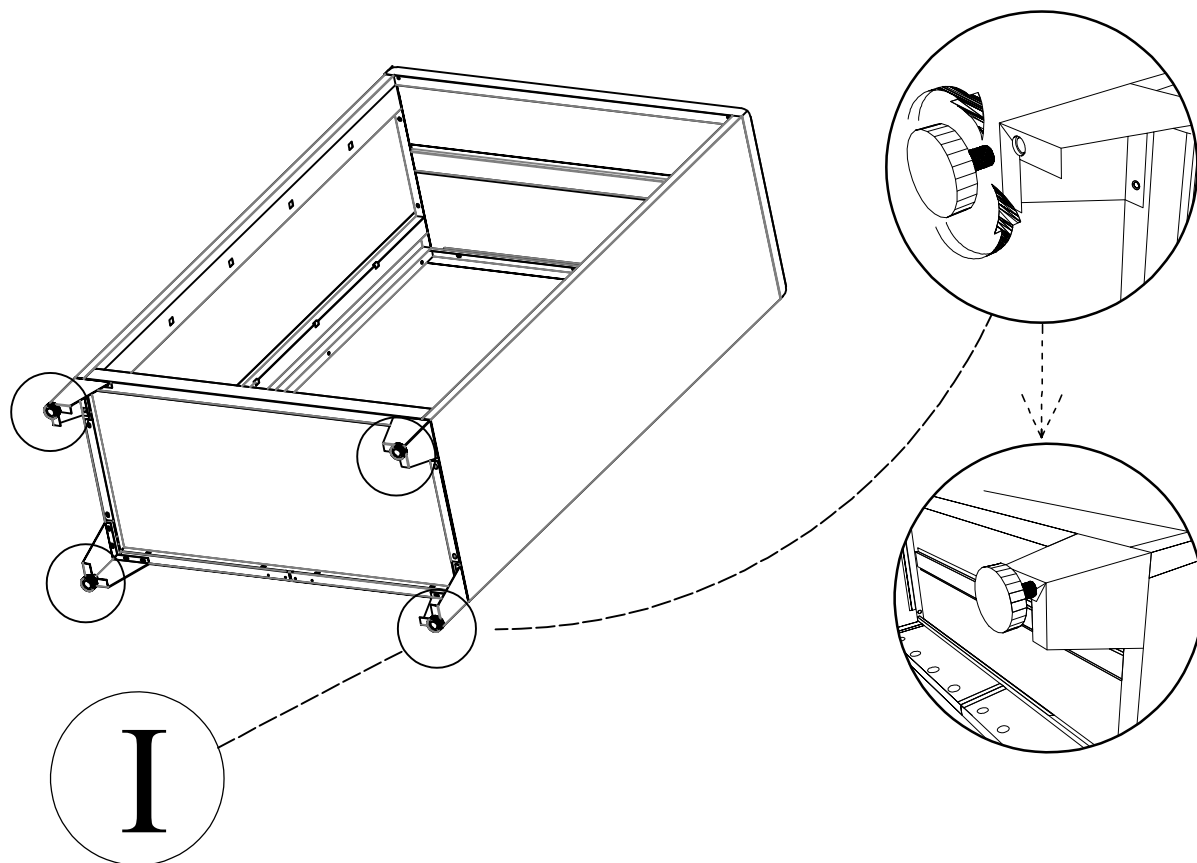
 N×8

6

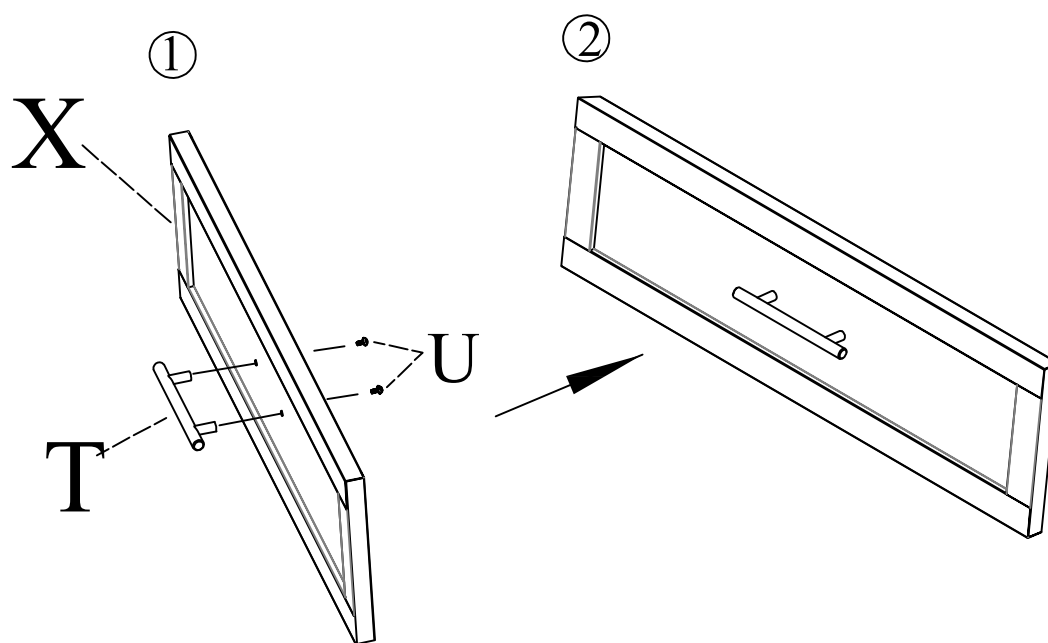


 N×16

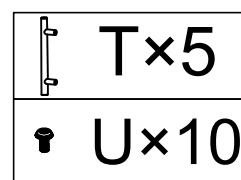
7



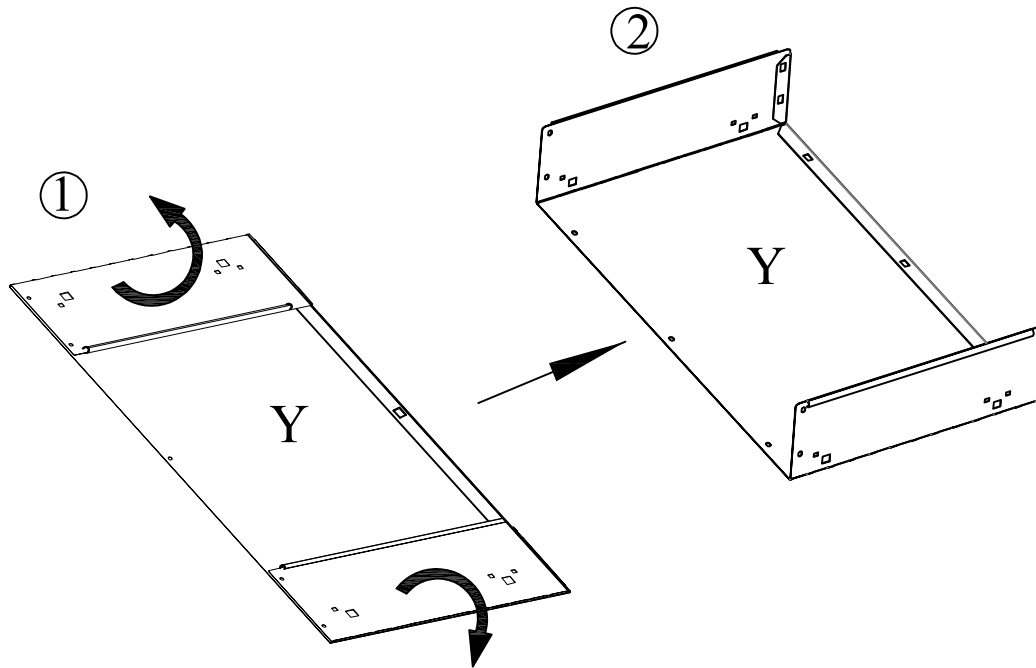
8



Follow this step to install the other drawers

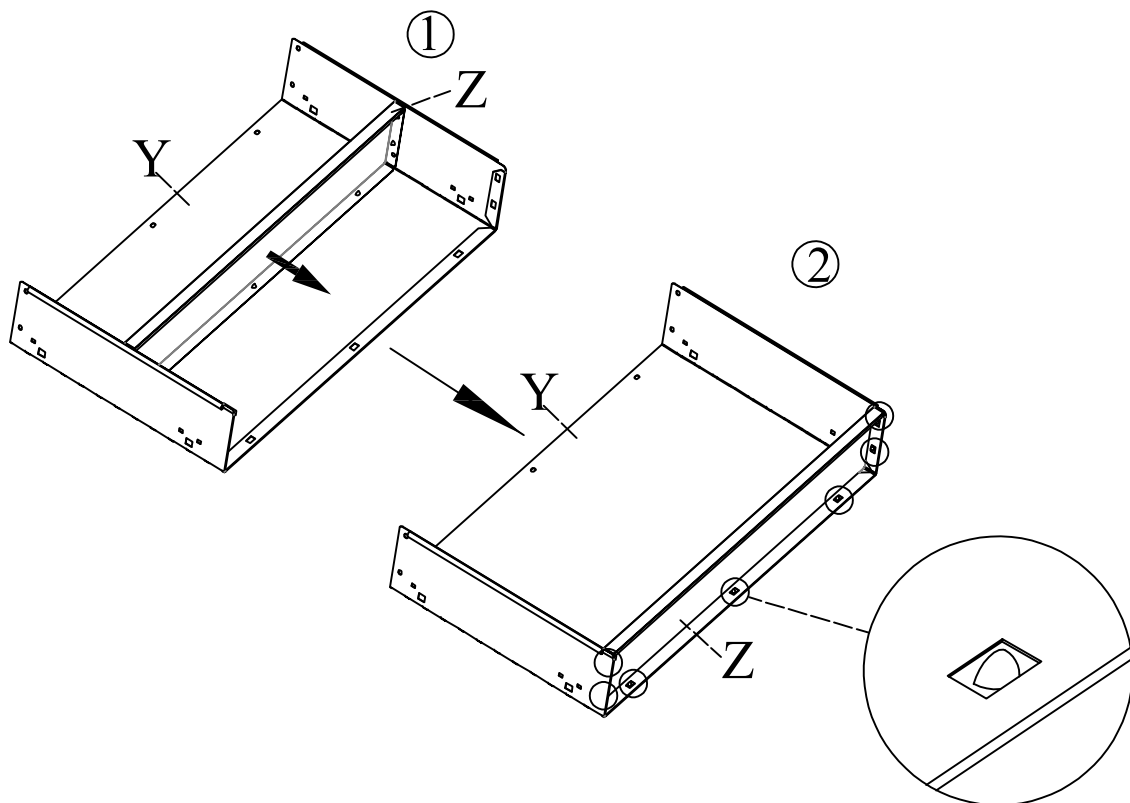


9



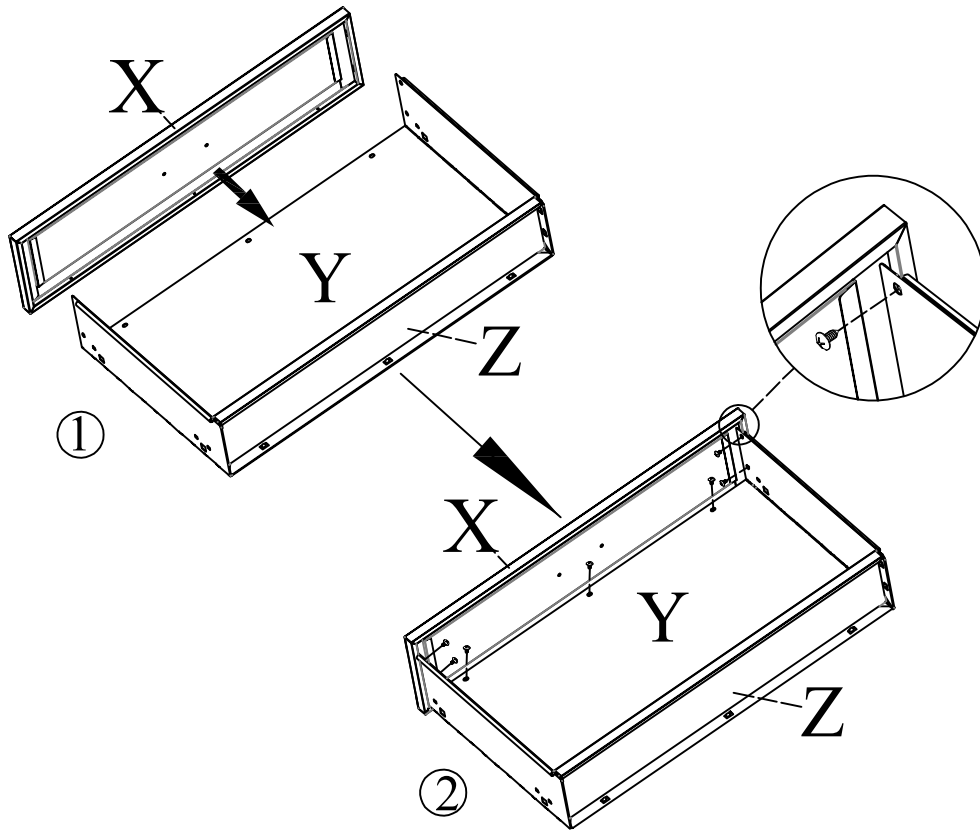
Follow this step to install the other drawers

10



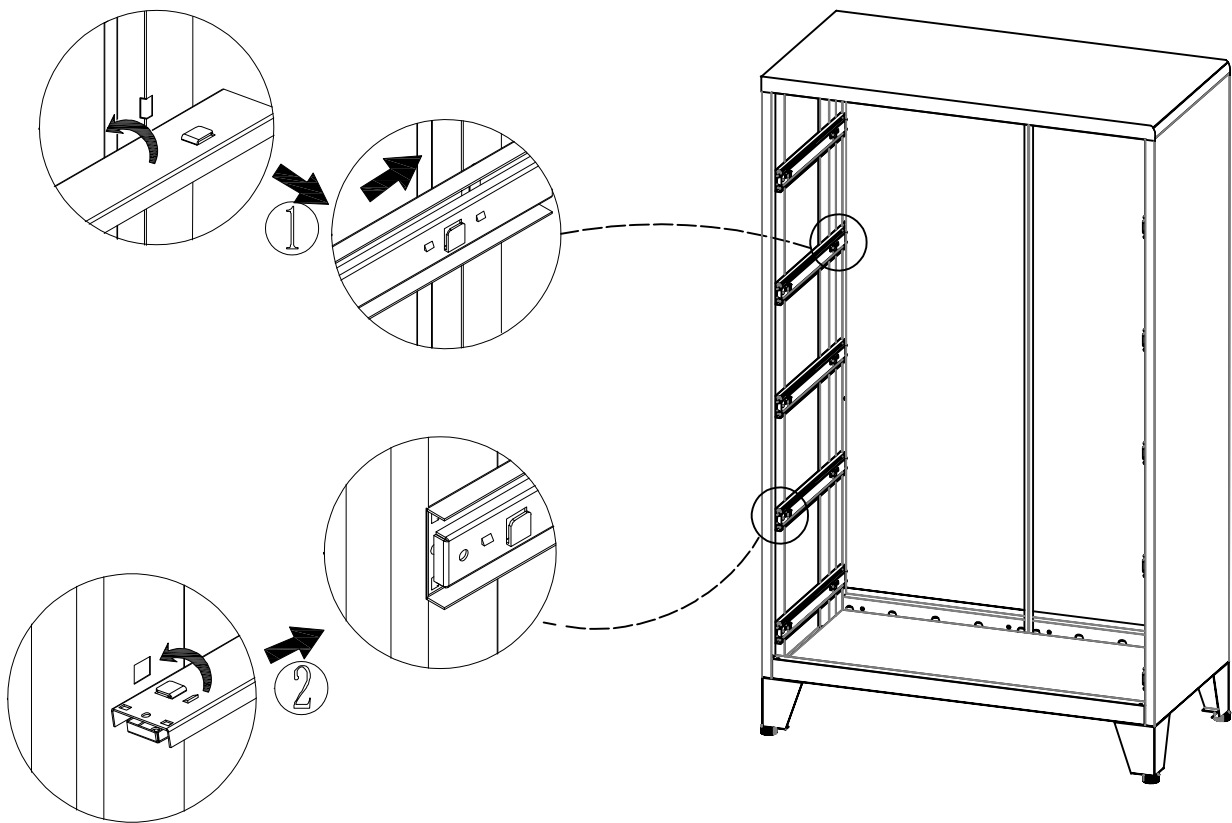
Follow this step to install the other drawers



11



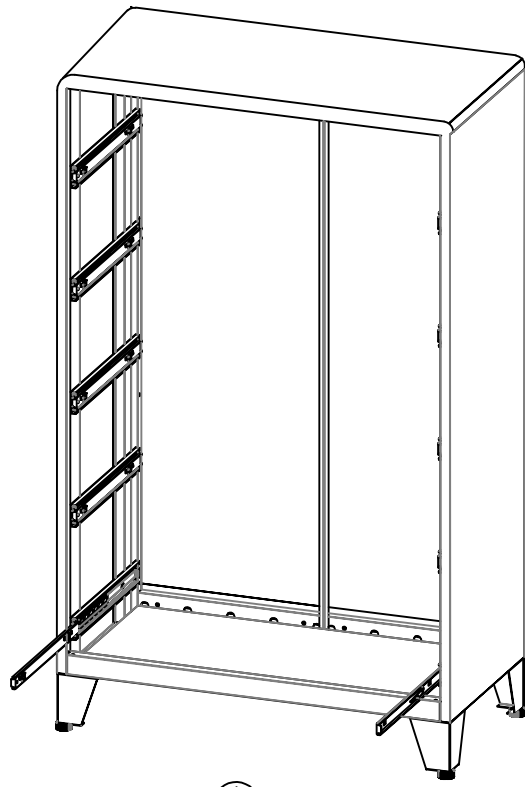
 N×35

12

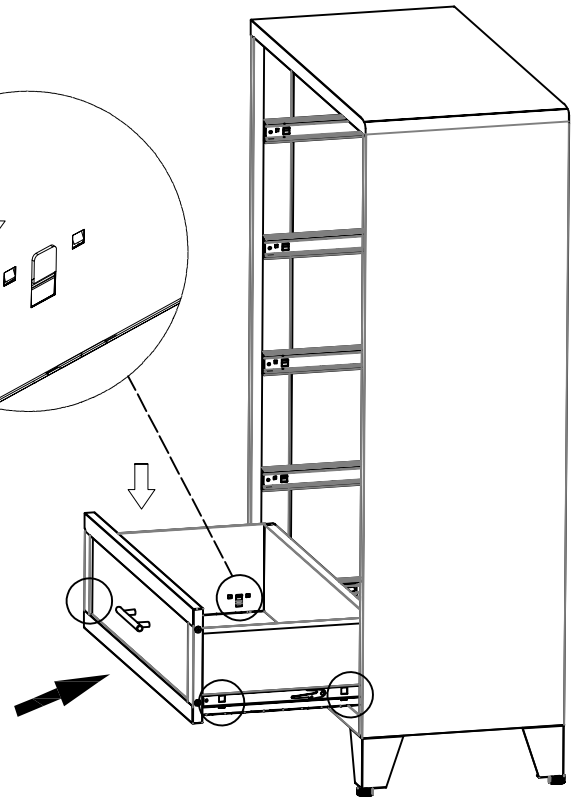
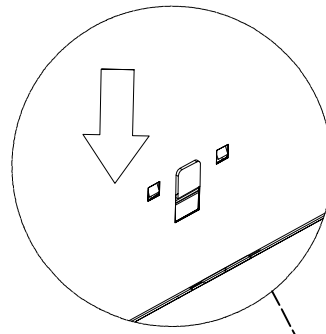


 Left  Right P×5

13



①



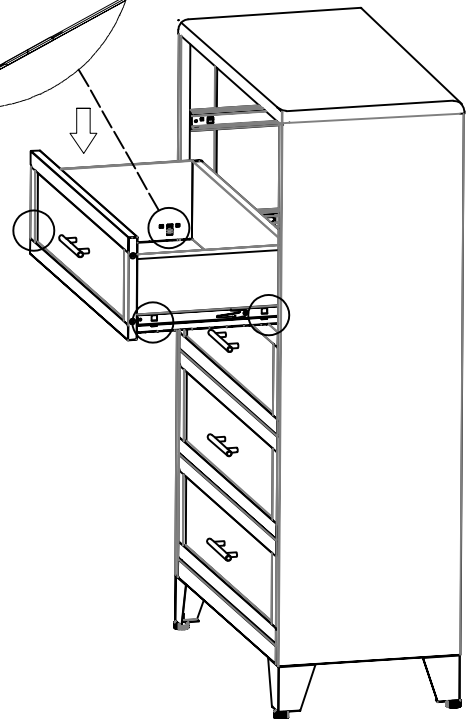
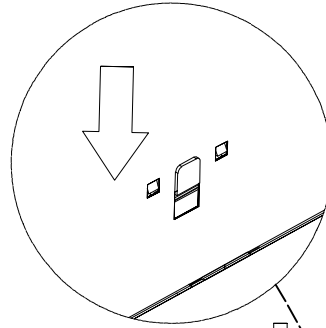
②



14



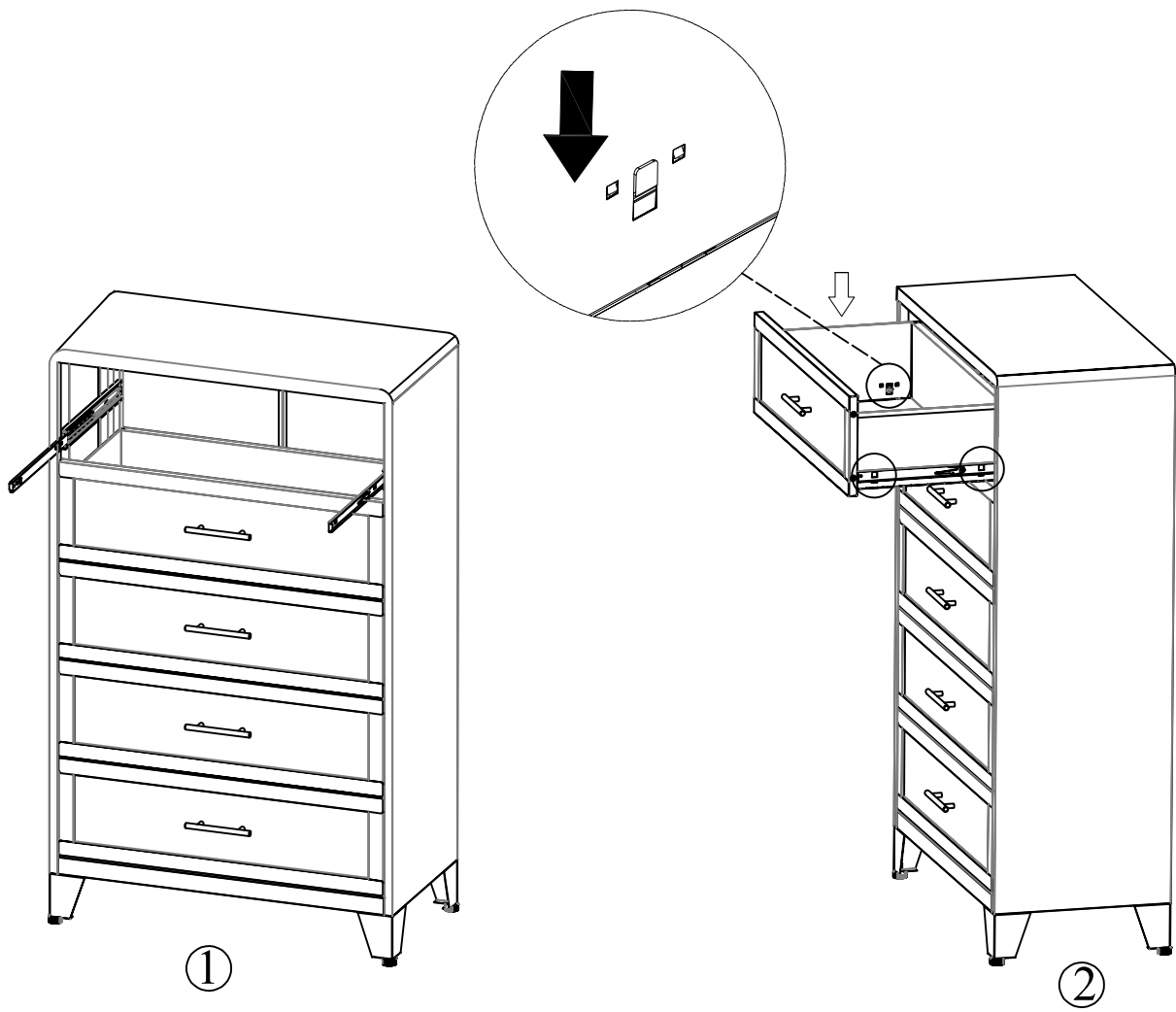
①



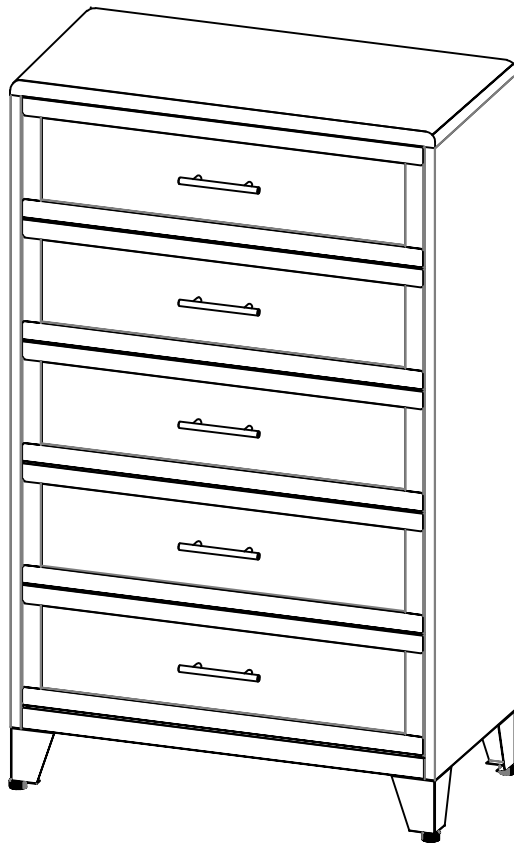
②



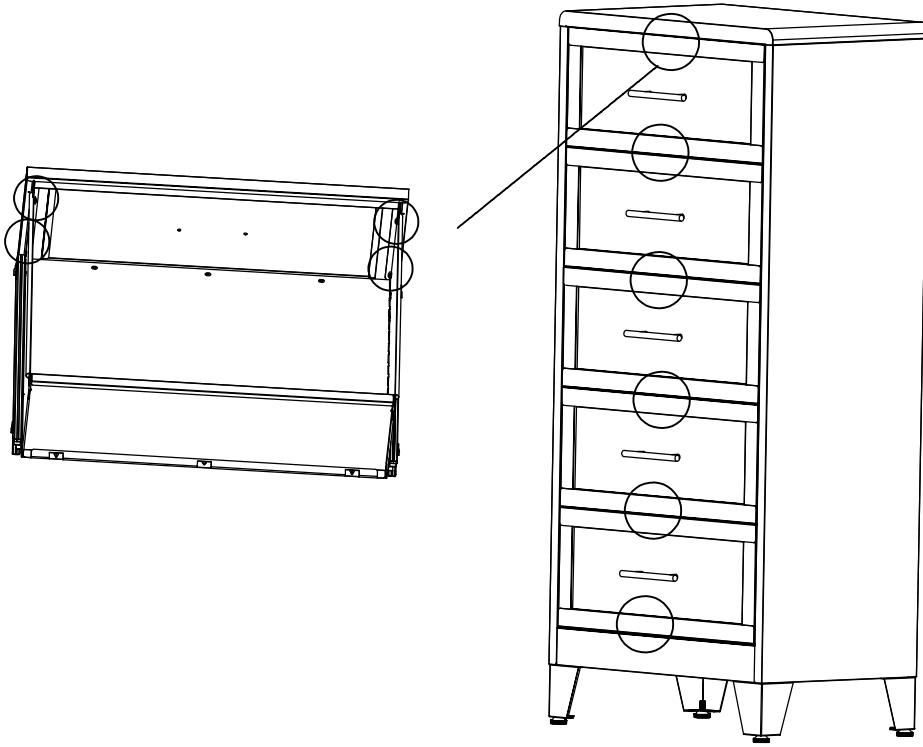
15



16



17



**Problem and Solution:**

If the drawer front panel is not level, you can loosen the four screws of the drawer front panel, adjust the height of the panel to make it same level, and then tighten the screws.

18

The cabinet can be fixed to the wall as needed.

