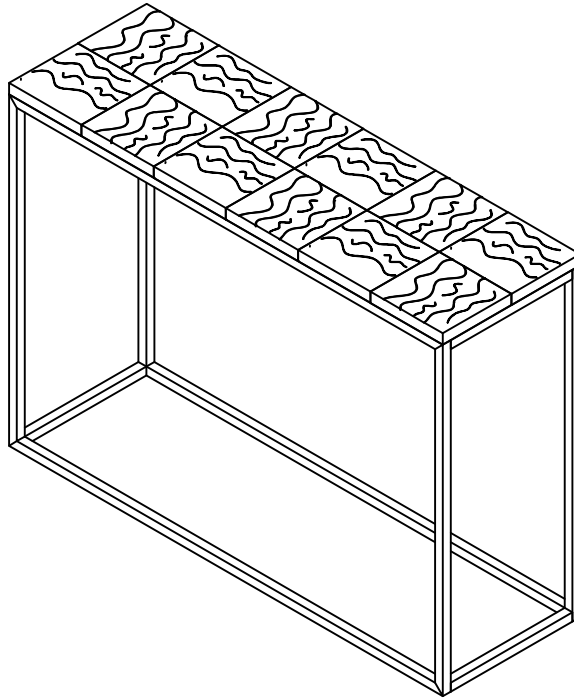


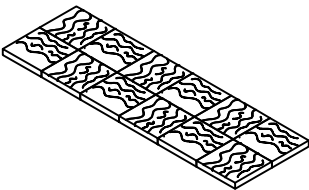
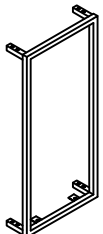
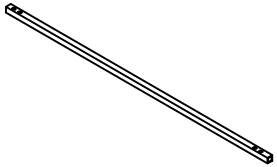
Assembly Instructions

Caution : You must read this before you proceed

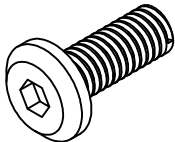
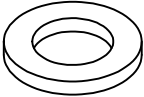

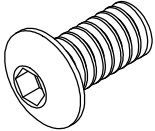
CONSOLE TABLE



Part list

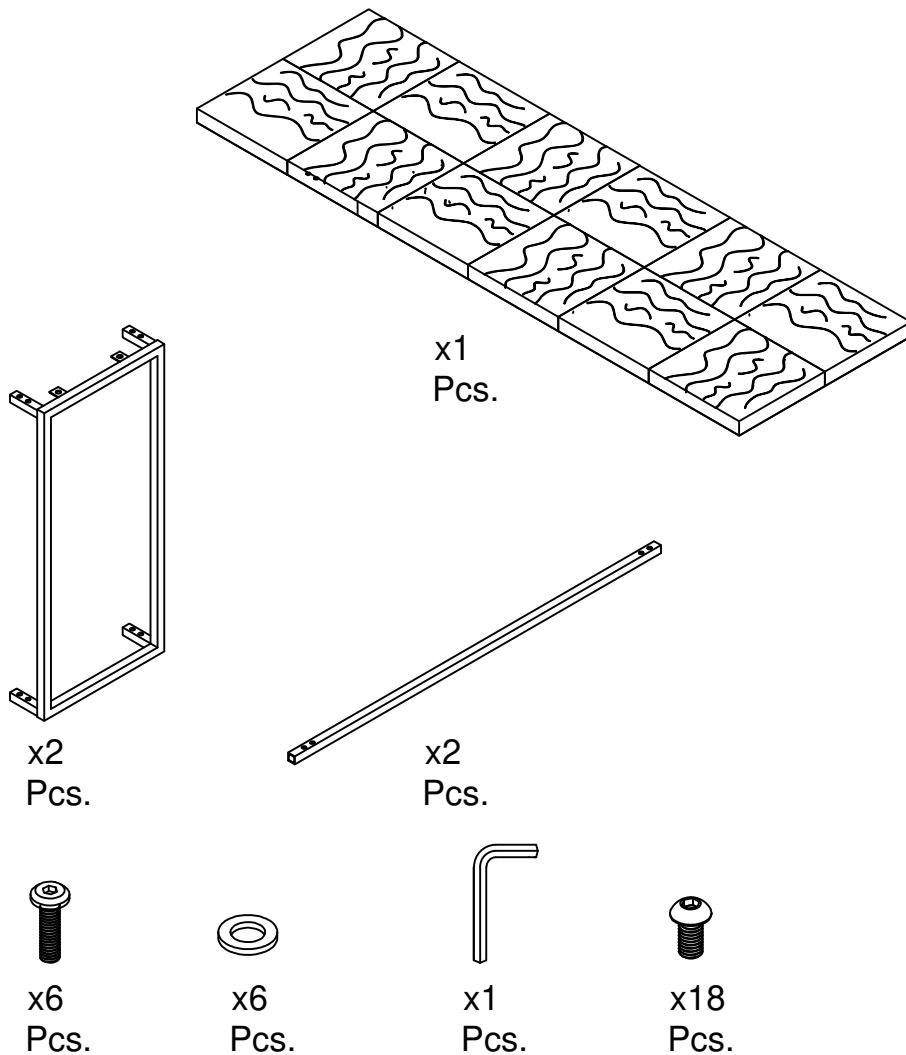
Label	Picture	Description	QTY
A		Top	1
B		Leg Side Frame	2
C		Leg Bottom Part	2

Hardware

Label	Picture	Description	QTY
①		Flat Head Allen Bolt (M6x16mm)	6
②		Washer (ID 8x17mm)	6
③		Allen key (4mm)	1
④		Pan Head Allen Bolt (M6x10mm)	18

Assembly preparation

Before beginning assembly



Read instructions, cover to cover-



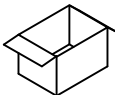
Have 2 adults on hand for assembly-



Do not assemble on flooring or carpet-



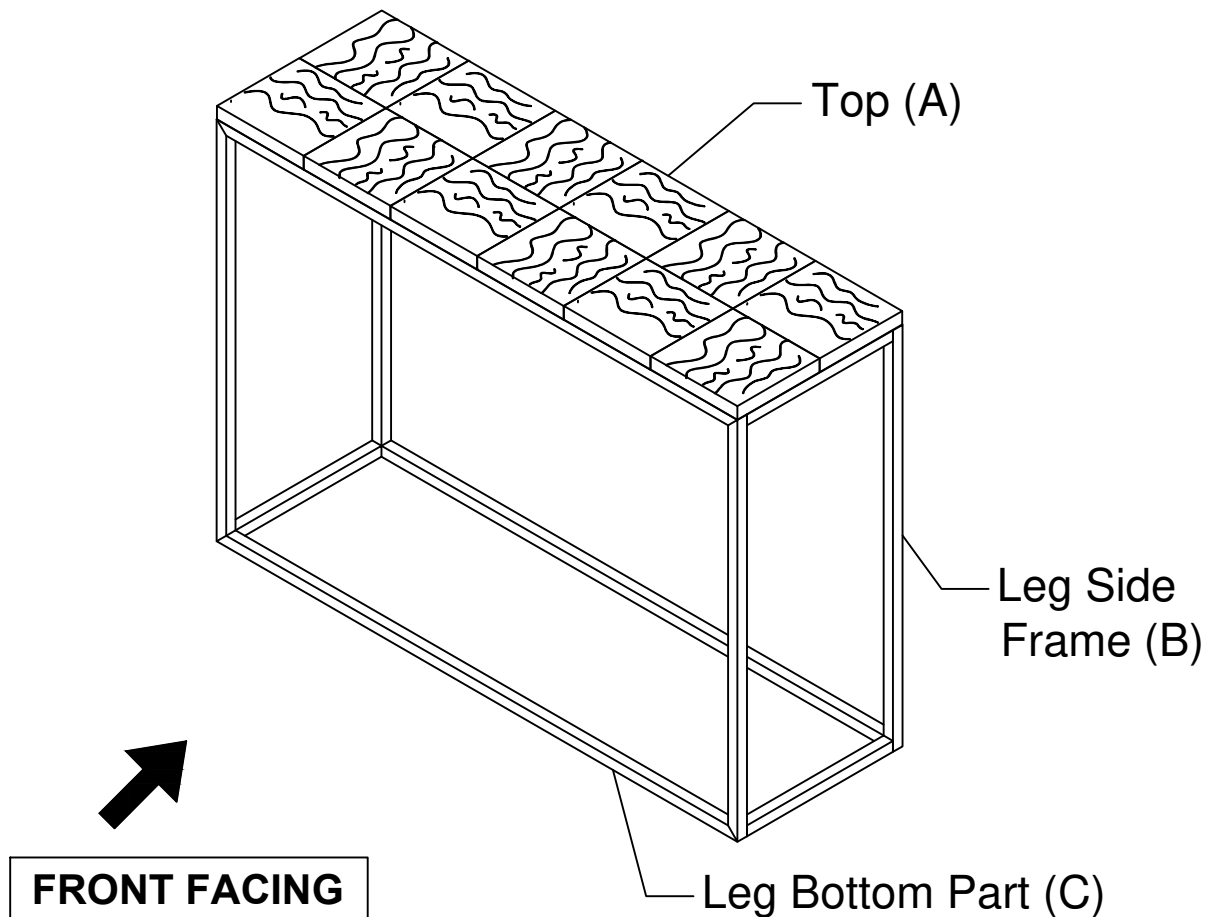
Assemble on a clean, non-marring surface (packing foam)-



Save all packaging until finished-

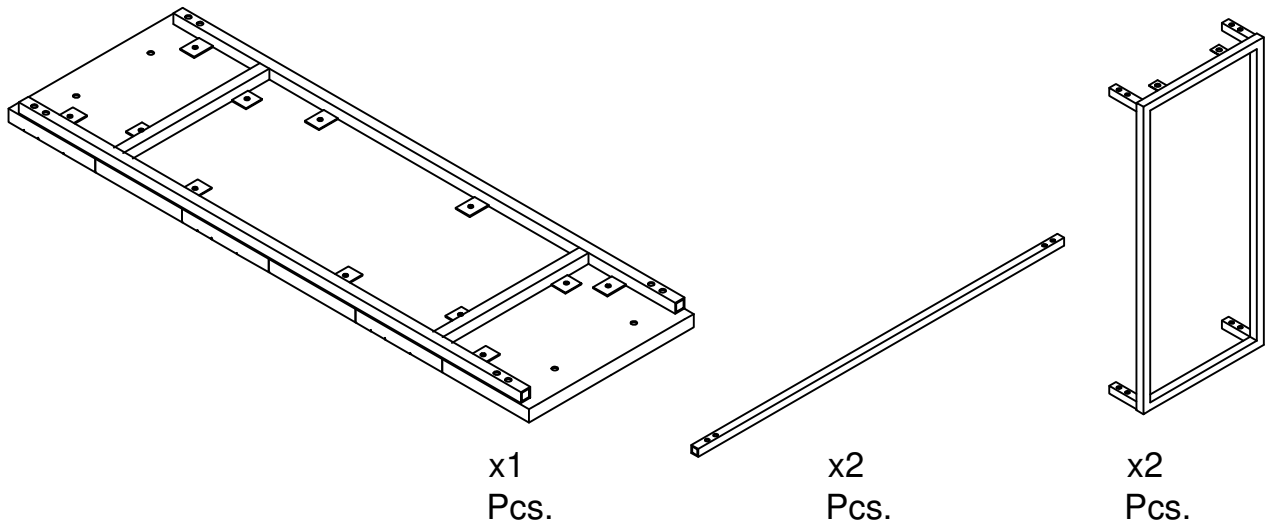
Assembly steps

Overview



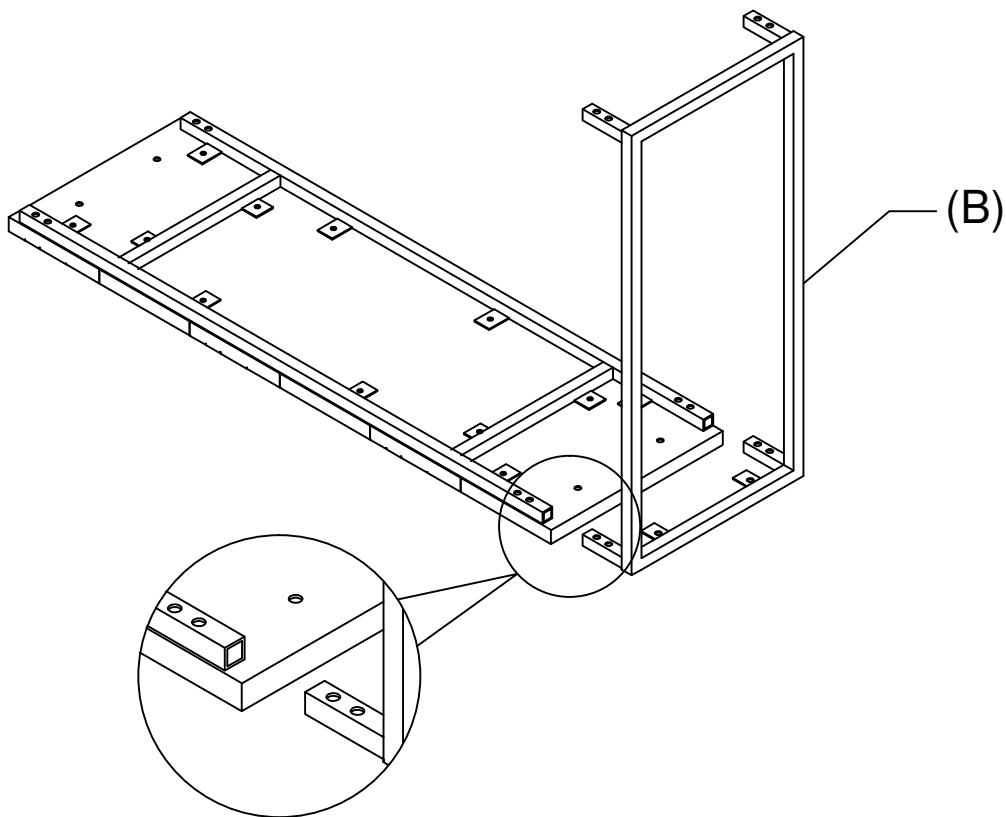
This Console Table has multiple parts and may require up to 30 minutes to assemble. To give you an overview of the Console Table parts, the picture above will help you, to put the various parts into perspective. Please read through the instructions below, to familiarize the parts and steps before assembly.

Step 1



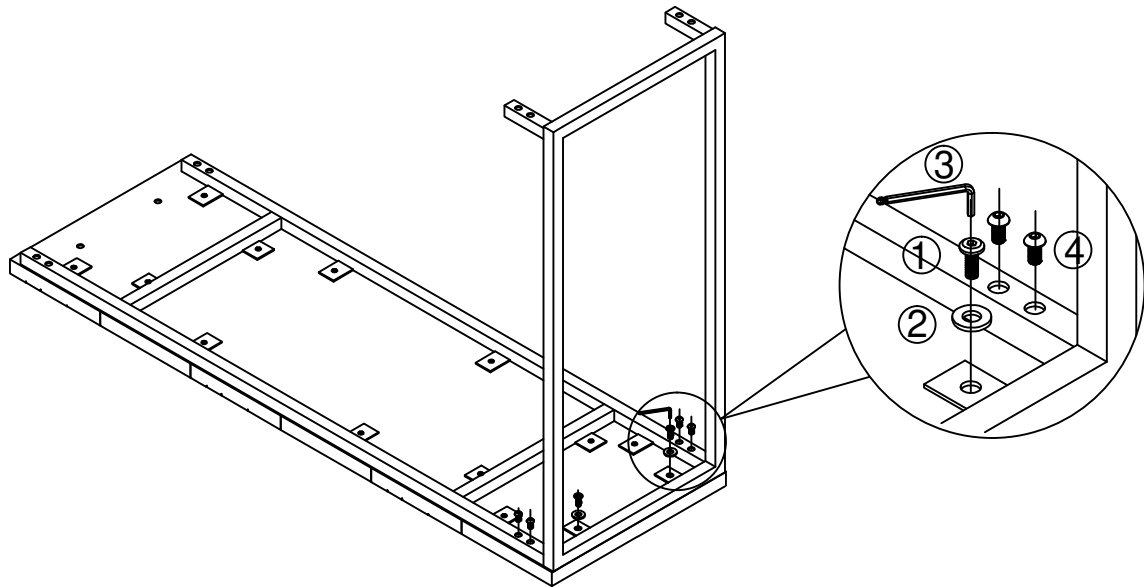
Unpack the all the parts and place it on a clean and non- marring surface in an upside down position.

Step 2



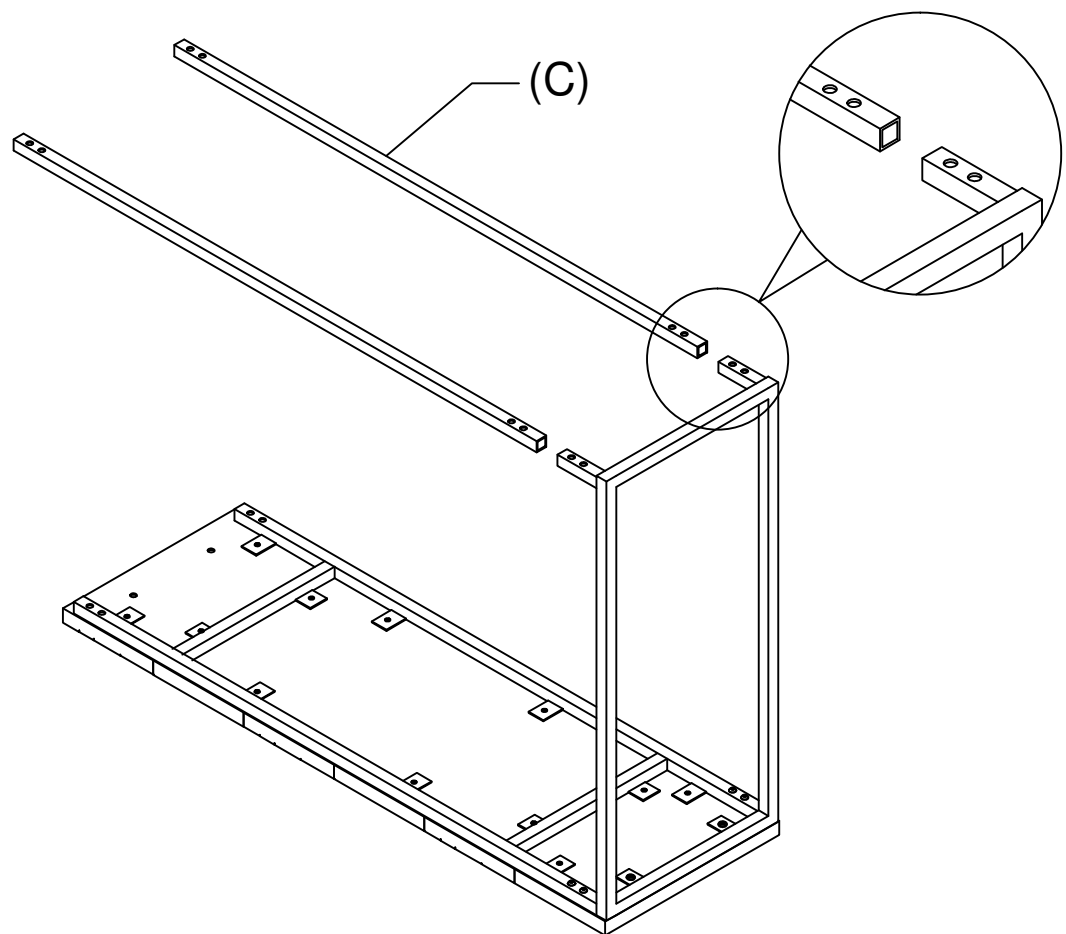
Insert the Leg Side Frame (B) with matching holes of Top Frame (A).

Step 3



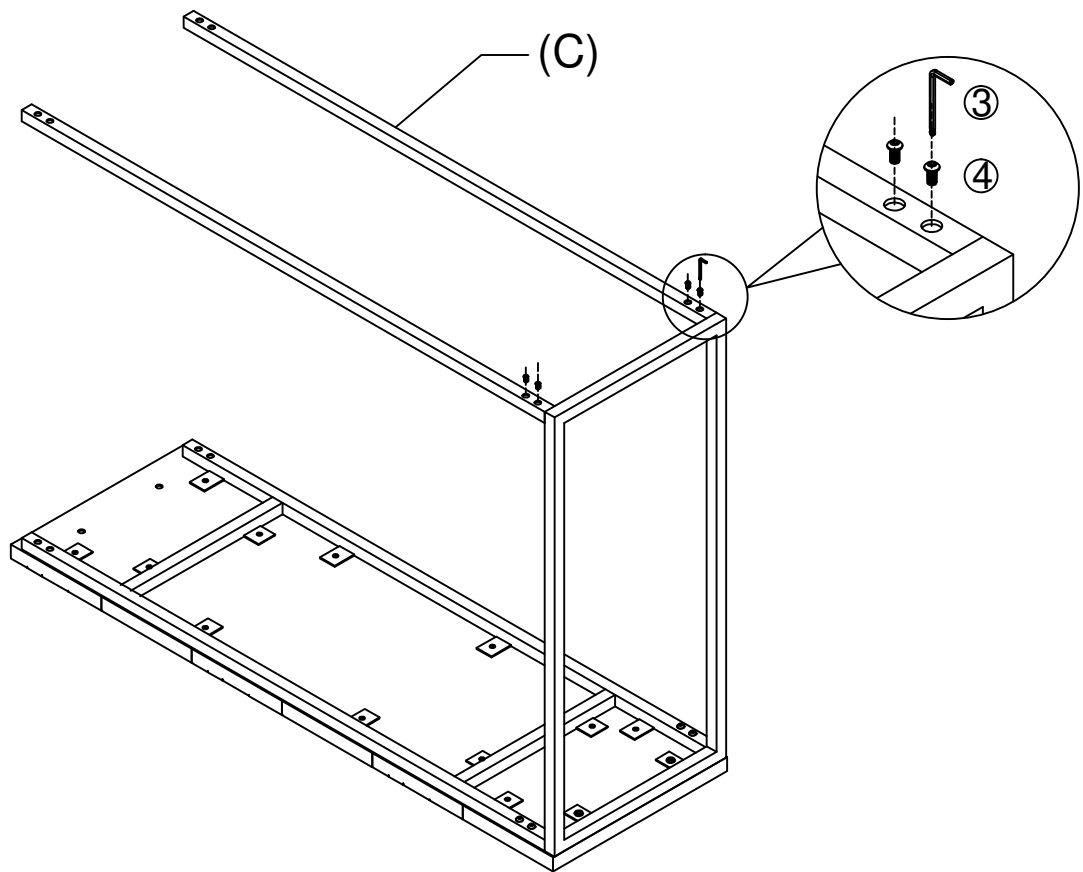
Tighten the Pan Head Allen Bolt (④) with using Allen Key (③).
Tighten Flat Head Allen Bolt (①) with Washer (②) with the help of Allen key (③).

Step 4



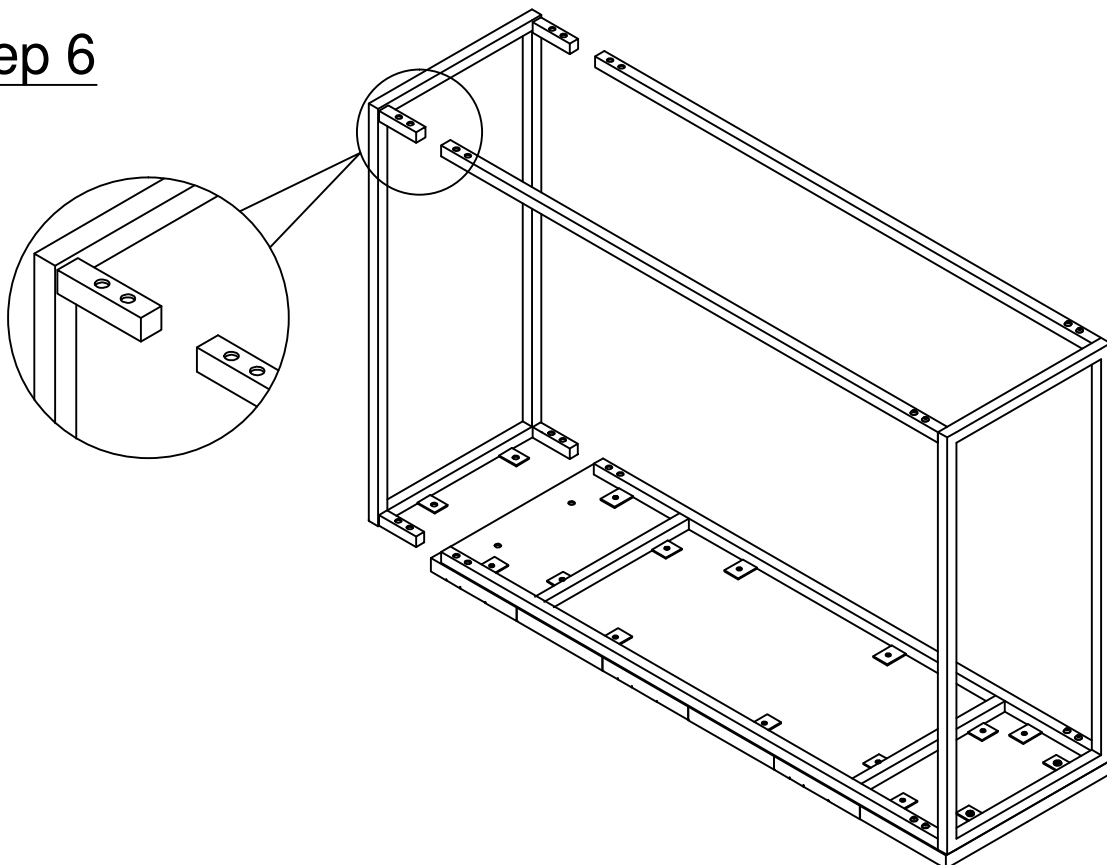
Insert the Leg Bottom Part (C) into Leg Side frame (B).

Step 5



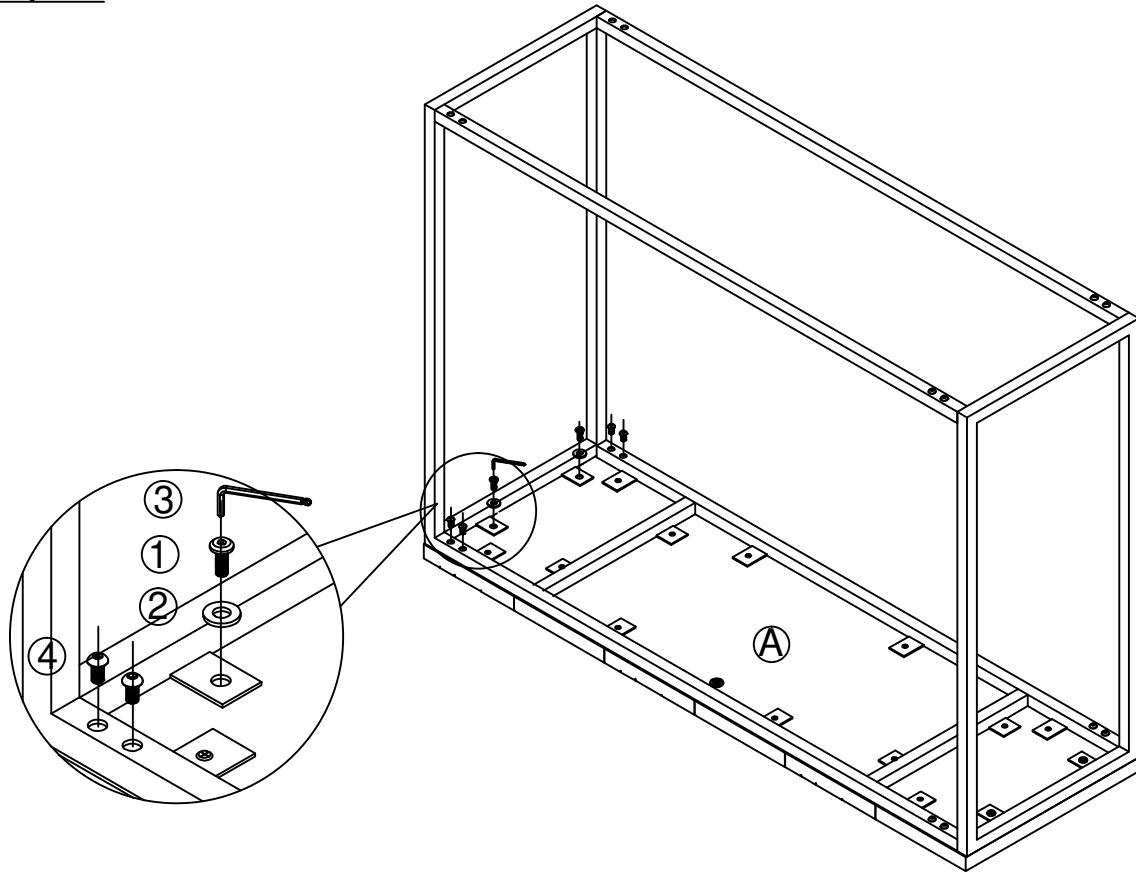
Tighten the Pan Head Allen Bolt (④) with matching holes with the help of Allen key (③).

Step 6



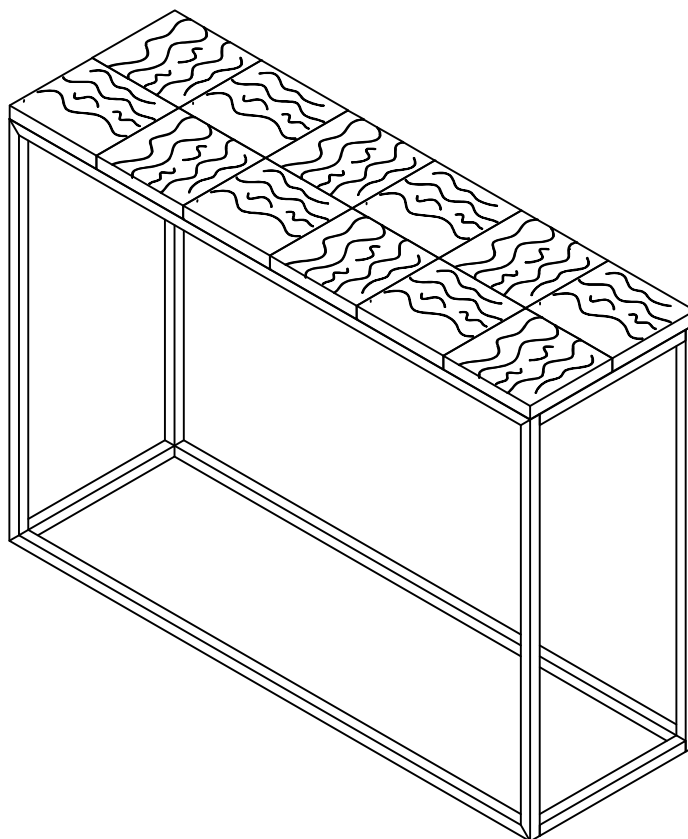
Insert the Leg Side Frame (B) with matching holes

Step 7



Tighten the Pan Head Allen Bolt (④) with using Allen Key (③).
Tighten Flat Head Allen Bolt (①) with Washer (②) with the help of Allen key (③).

Step 8














Place the Console Table to your desired location.

This Console Table is now ready to use.

Caution: The Console Table can only be used on a Flat and levelled surface.

Care & Maintenance

- ✓  • Furniture may scratch floors. We recommend using furniture pads to protect your floors.
- ⊘  • Do not put hot items directly on furniture surface
- ⊘  • Do not clean furniture with harsh cleansers or polish.
- ⊘  • Do not place furniture under direct sunlight.
- ⊘  • Do not place furniture near heating or cooling vents.
- ⊘  • Do not write on furniture without a passed barner to protect the surface.
- ⊘  • Do not place furniture outside. for indoor use only.
- ⊘  • Not for commercial use. for residential use only.
- ⊘  • Stains may be removed with mild soap solution and damp cloth.
- ⊘  • Children should not climb or jump on the furniture.
- ✓  • Dust and pick - up shills using a clean, non-colored, lint-free cloth.