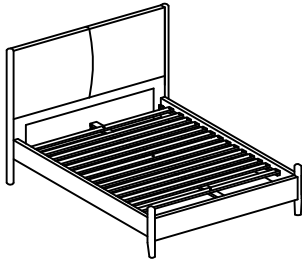


ASSEMBLY INSTRUCTION

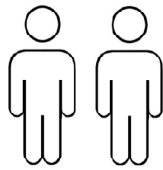
F



+ Do Not Use Power Tools



+ Suggested Adults



NOTE:

- 1 Read instructions cover to cover.
- 2 Save all packaging until assembly is completed.

1 IMPORTANT SAFETY INFORMATION

Do not assemble the product if any of the following parts arrived damaged:

- Part # - Side Rails
- Part # - Center Support Bar
- Part # - Support Legs
- Part # - Slats

2 IMPORTANT ASSEMBLY INFORMATION

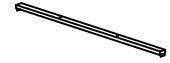
Assembly Step Ensure the side rail bracket is fully hooked onto bolt loosely threaded with both washers on the OUTSIDE of the bracket first, then proceed to fully tightening all 4 corners.

+ Parts Included

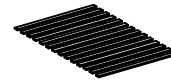
- ① Headboard (1 of pc) ② Footboard (1 of pc) ③ Side Rail (2 of pcs)



- ④ Headboard Legs (2 of pcs) ⑤ Footboard Legs (2 of pcs) ⑥ Center Rail (1 of pc)



- ⑦ Support Leg (2 of pcs) ⑧ 13 Pcs Slat (1 of set) ⑨ Footboard Bracket (2 of pcs)



+ Hardware Included

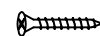
- A JCBB M8x20mm (12 of pcs) B JCBC M6x30mm (4 of pcs) C JCBC M6x40mm (2 of pcs)



- D JCBC M6x50mm (6 of pcs) E Allen Key M4 x 65mm (1 of pc) F Allen Key M5 x 70mm (1 of pc)



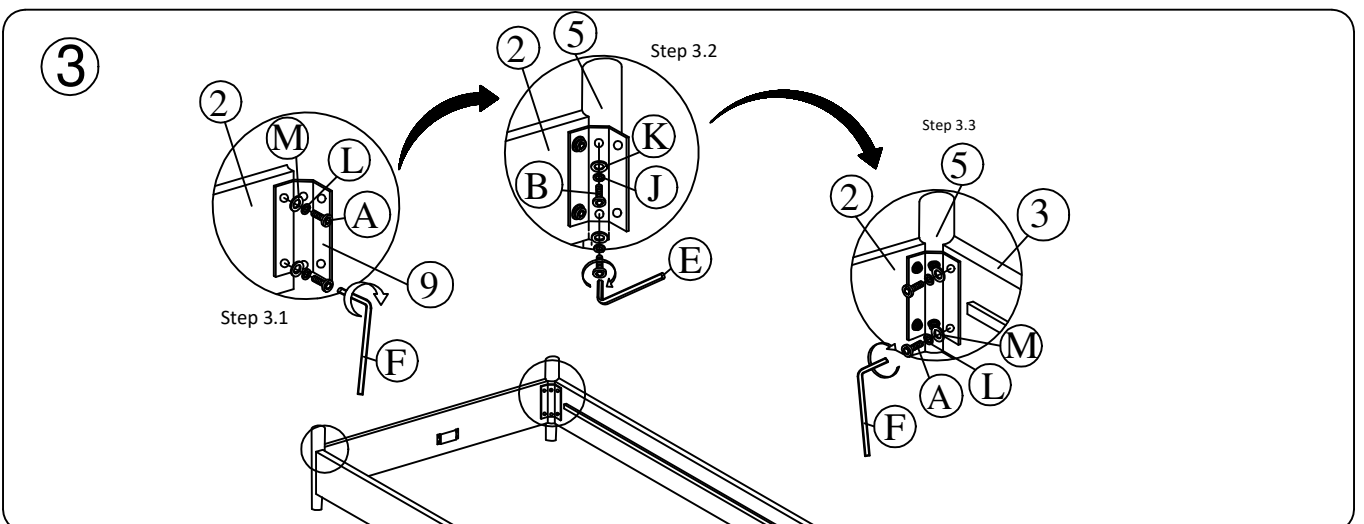
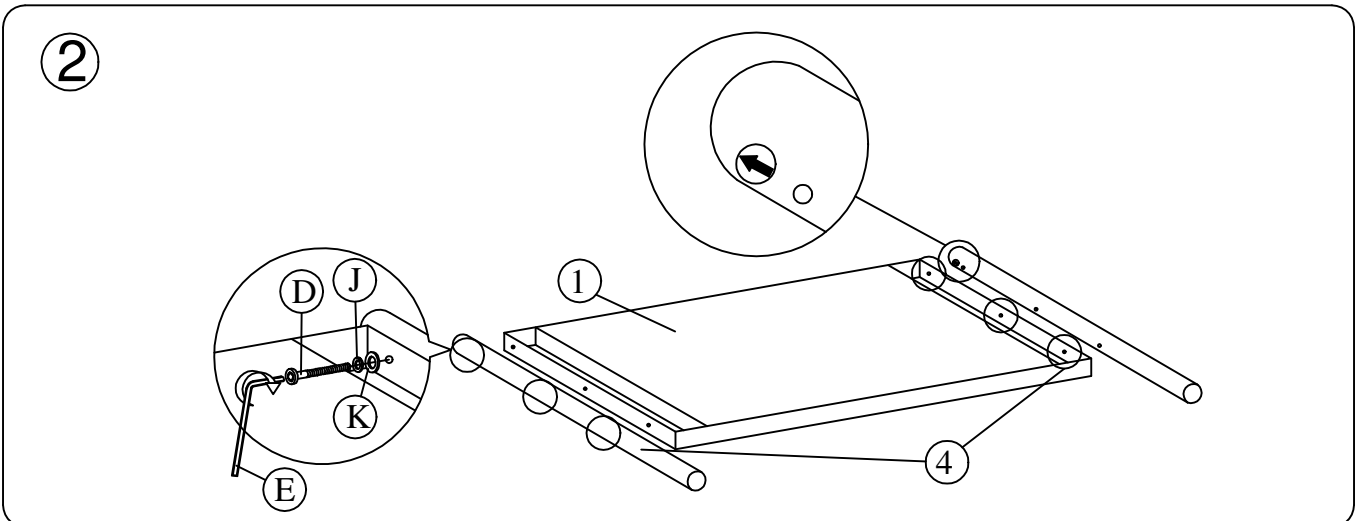
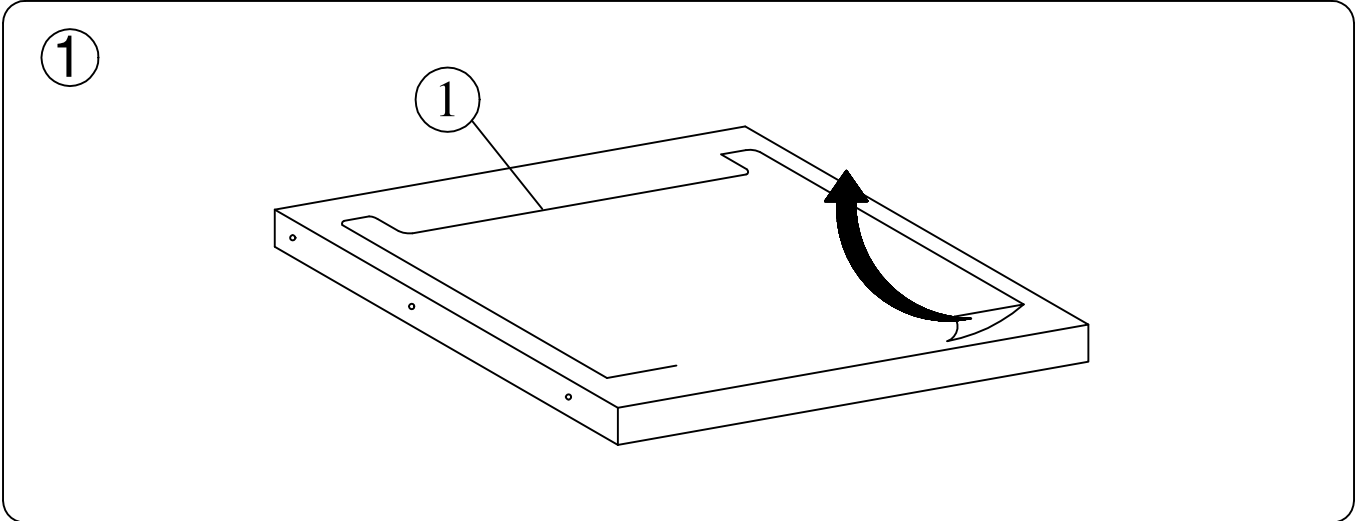
- G CSK M3.5 x 16mm (2 of pcs) H CSK M4 x 32mm (29 of pcs) I Small Adjuster (2 of pcs)



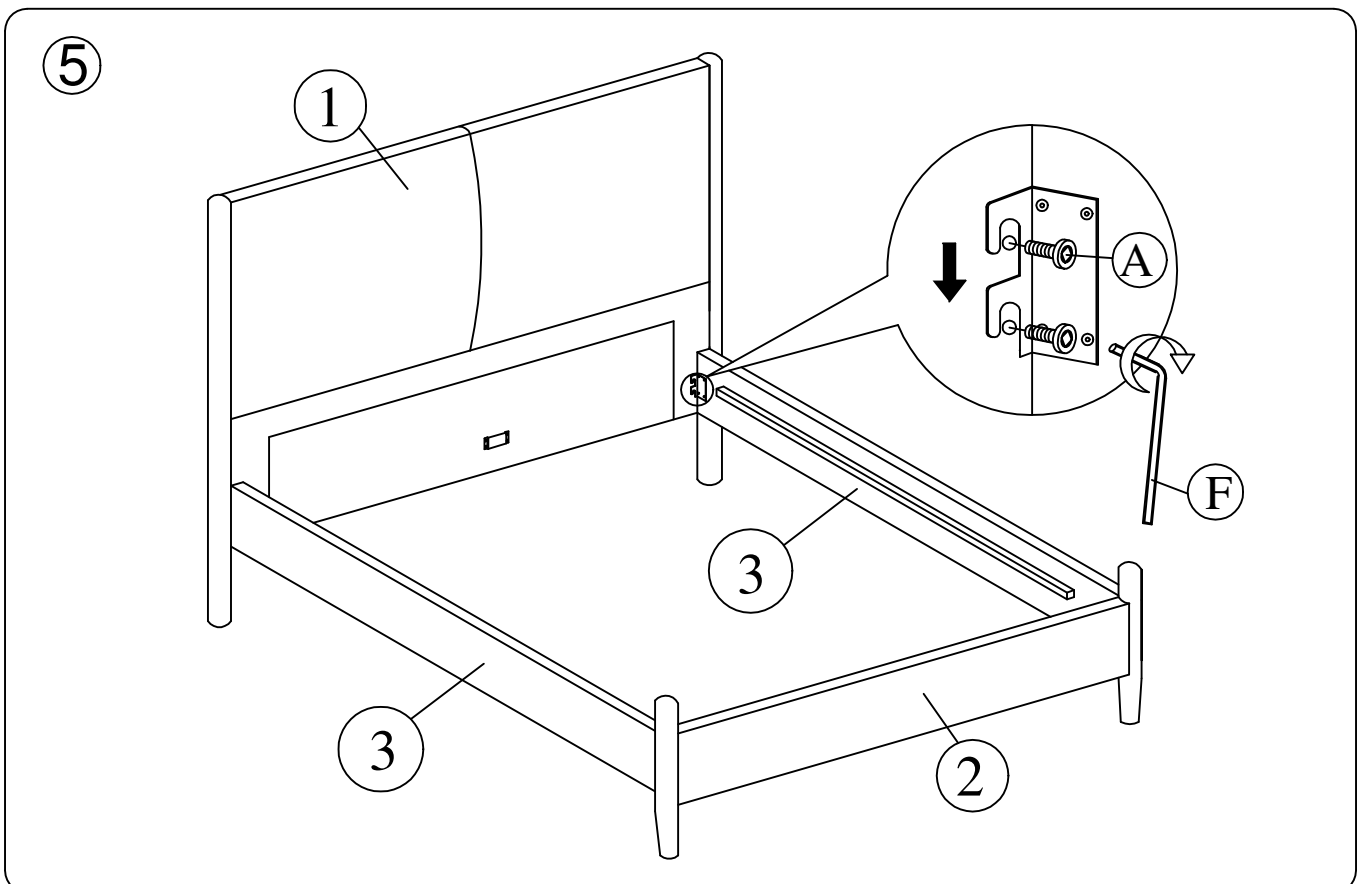
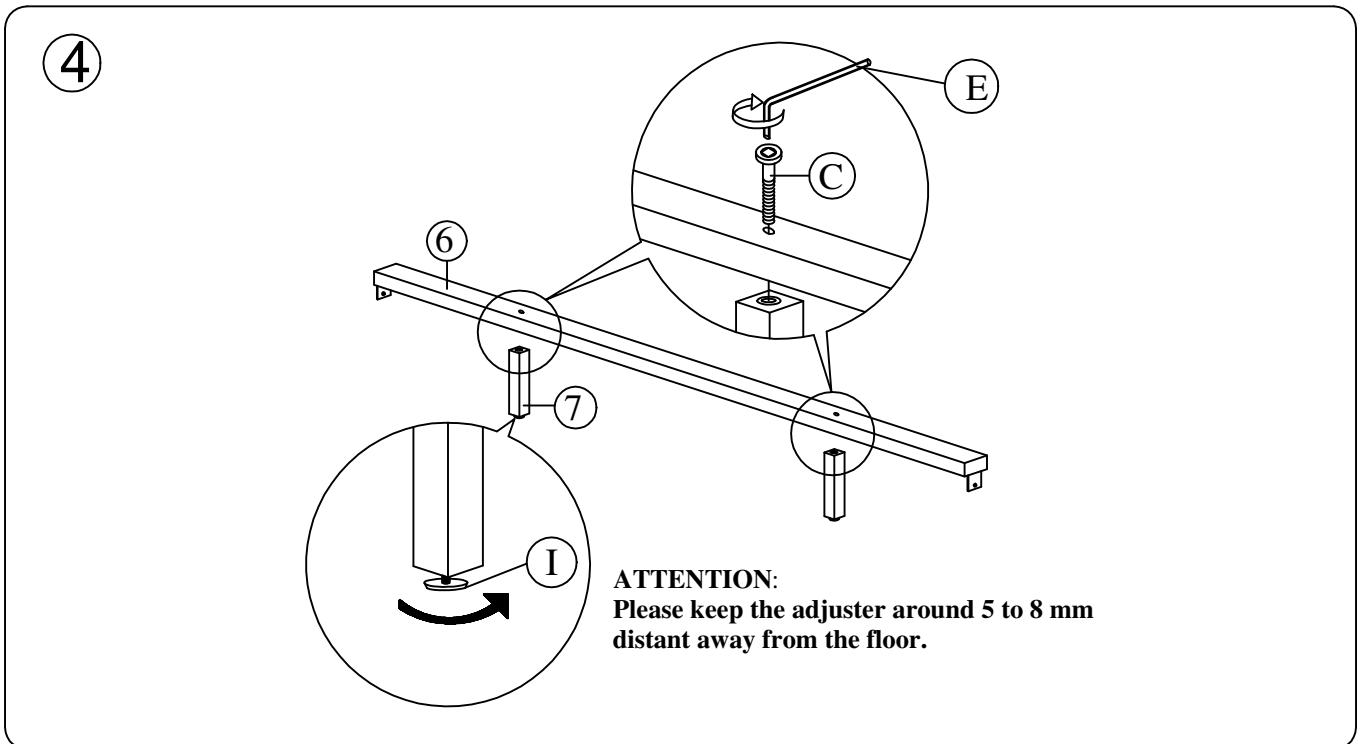
- J M6 Spring Washer (10 of pcs) K M6 Flat Washer (10 of pcs) L M8 Spring Washer (8 of pcs) M M8 Flat Washer (8 of pcs)



ASSEMBLY INSTRUCTION



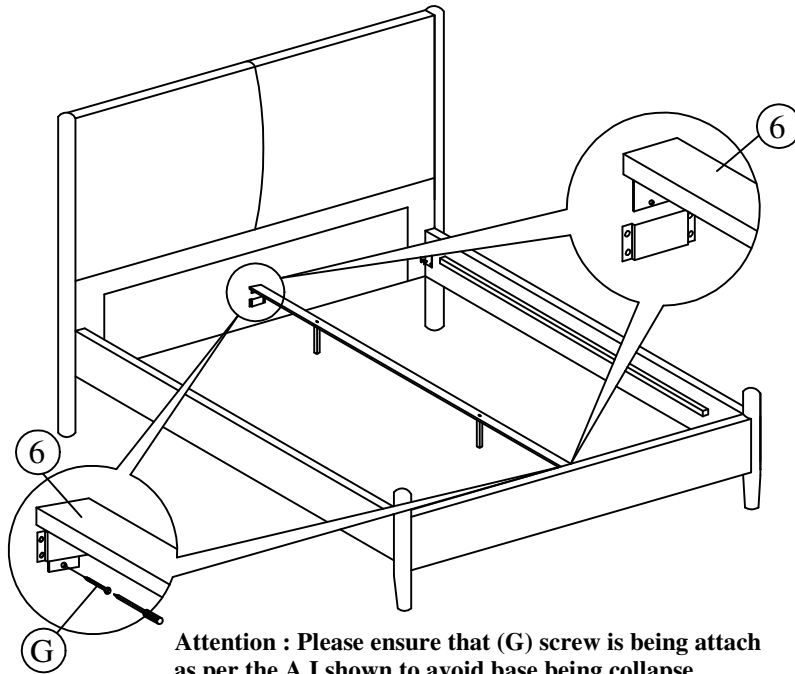
ASSEMBLY INSTRUCTION



ASSEMBLY INSTRUCTION

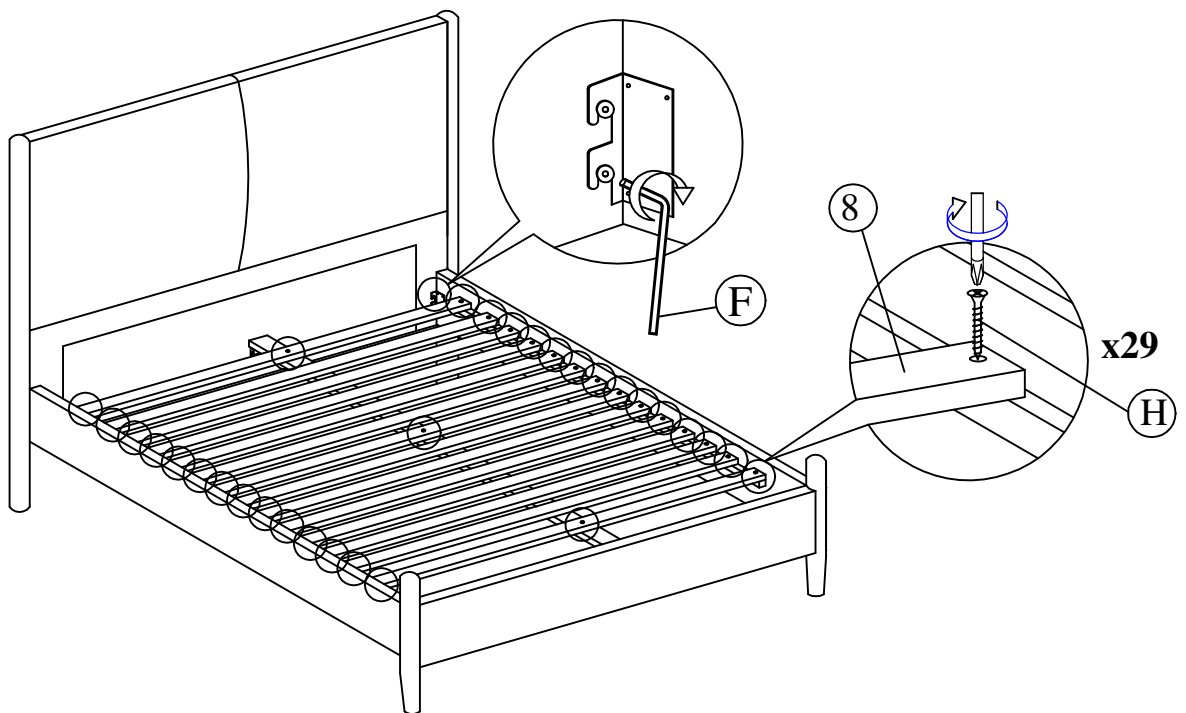
ARBOR-F

6



Attention : Please ensure that (G) screw is being attach as per the A.I shown to avoid base being collapse.

7



NOTE: For questions about parts or assembly please email support@meridianfurnitureusa.com or call us at 718-7584455

www.MeridianFurnitureUSA.com | support@meridianfurnitureusa.com