

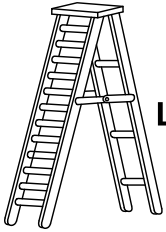
## ASSEMBLY INSTRUCTIONS



**CAUTION**

- ◆ Inspect the wire insulation for any cuts, abrasions, or exposed copper that may have resulted during shipping. If there is a defect in the wire, do not attempt installation.
- ◆ Before starting installation of this fixture or removal of a previous fixture, disconnect the power by turning off the circuit breaker or by removing the fuse at the fuse box.

## TOOLS REQUIRED



**Ladder**



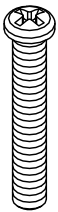
**Safety  
glasses**



**Phillips  
screwdriver**

**PARTS SHOWN MAY DIFFER SLIGHTLY PER LIGHT FIXTURE**

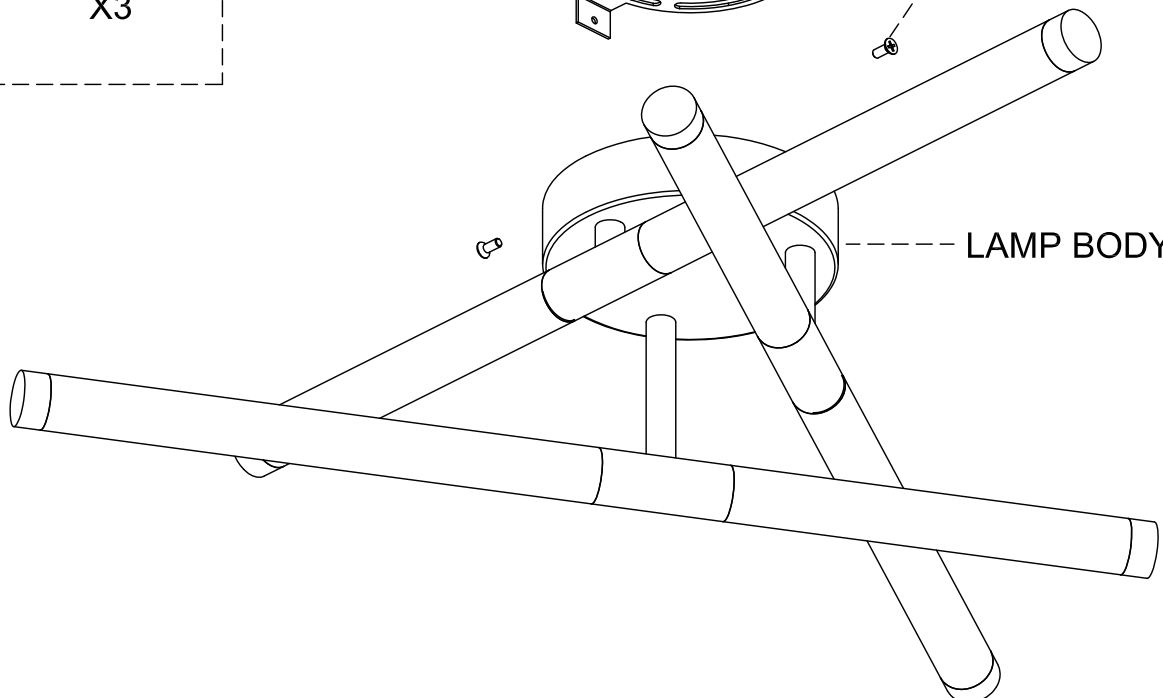
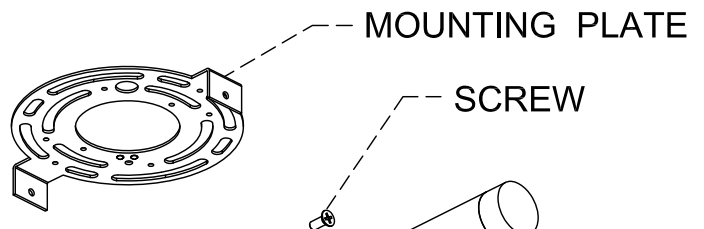
### PART BAG



**X2**

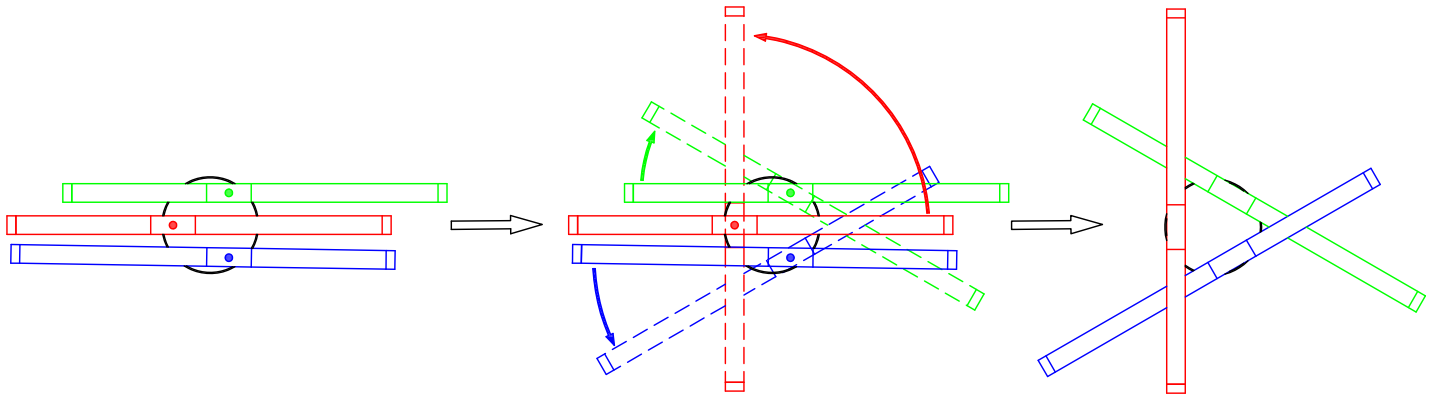


**X3**



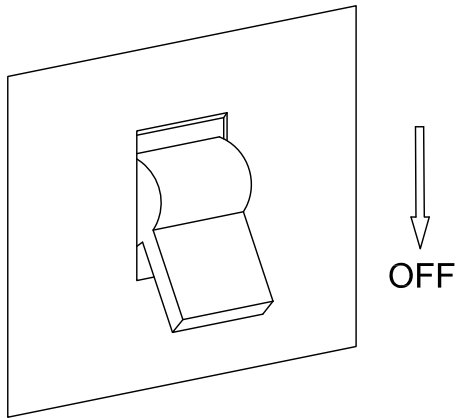
## Step 1

Expand all lamp arms as shown as below.



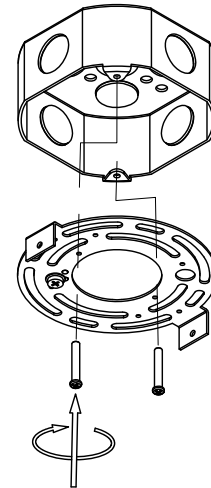
## Step 2

Power off



## Step 3

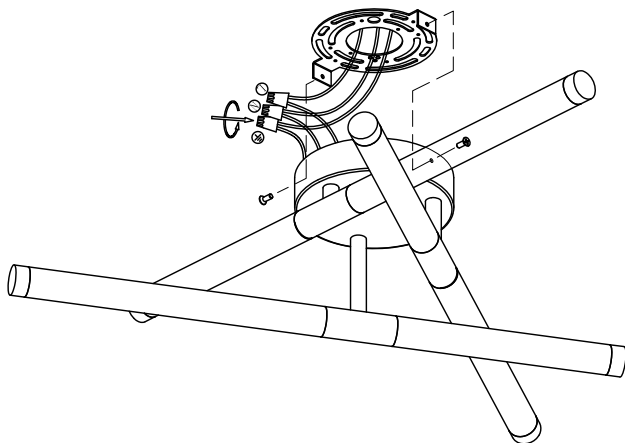
Use the mounting screws to attach the mounting plate to the junction box(not included).



## Step 4

Connect the wire.

Attach the sconce to the mounting plate.



CEILING

