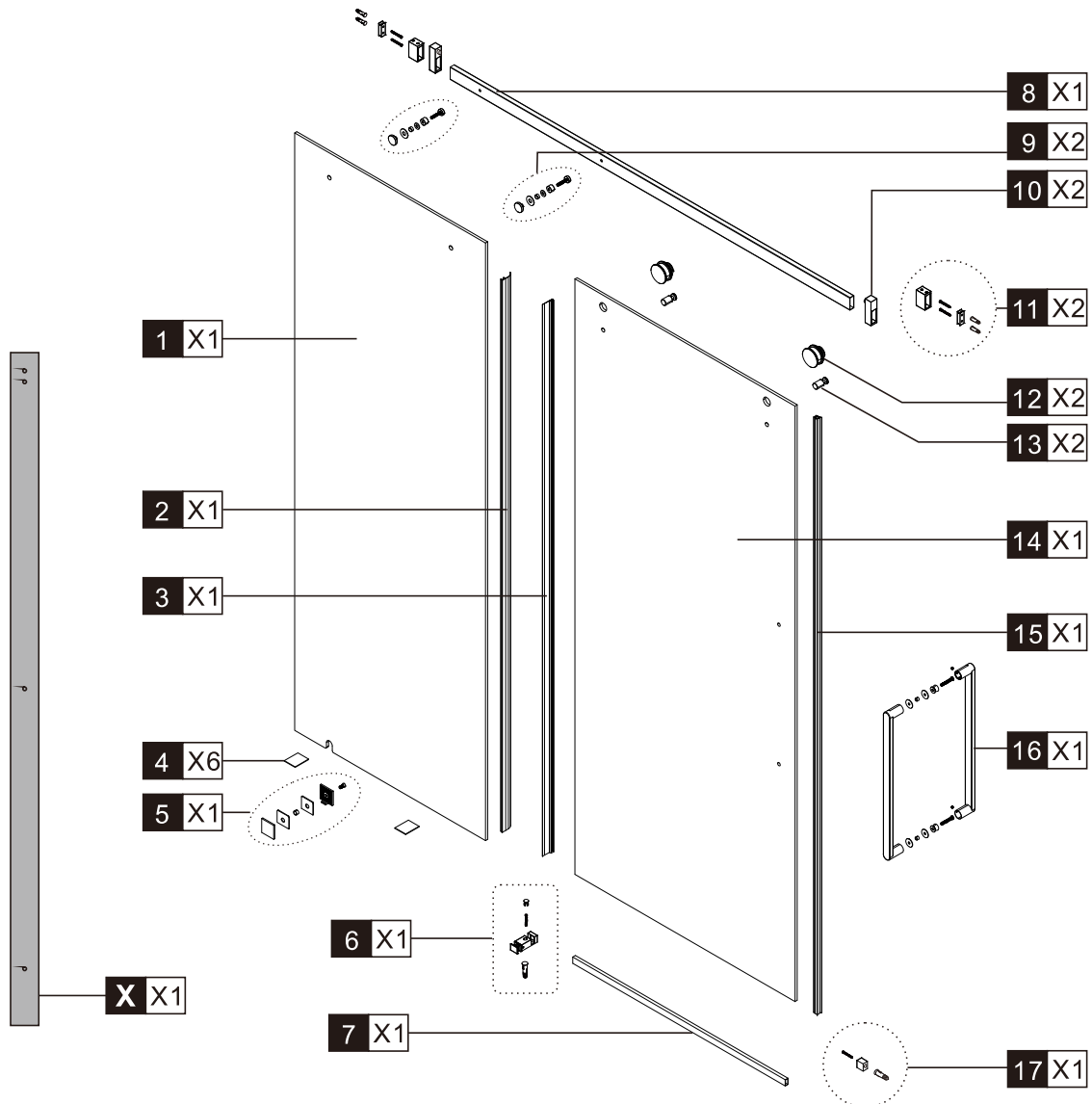


PARTS LIST

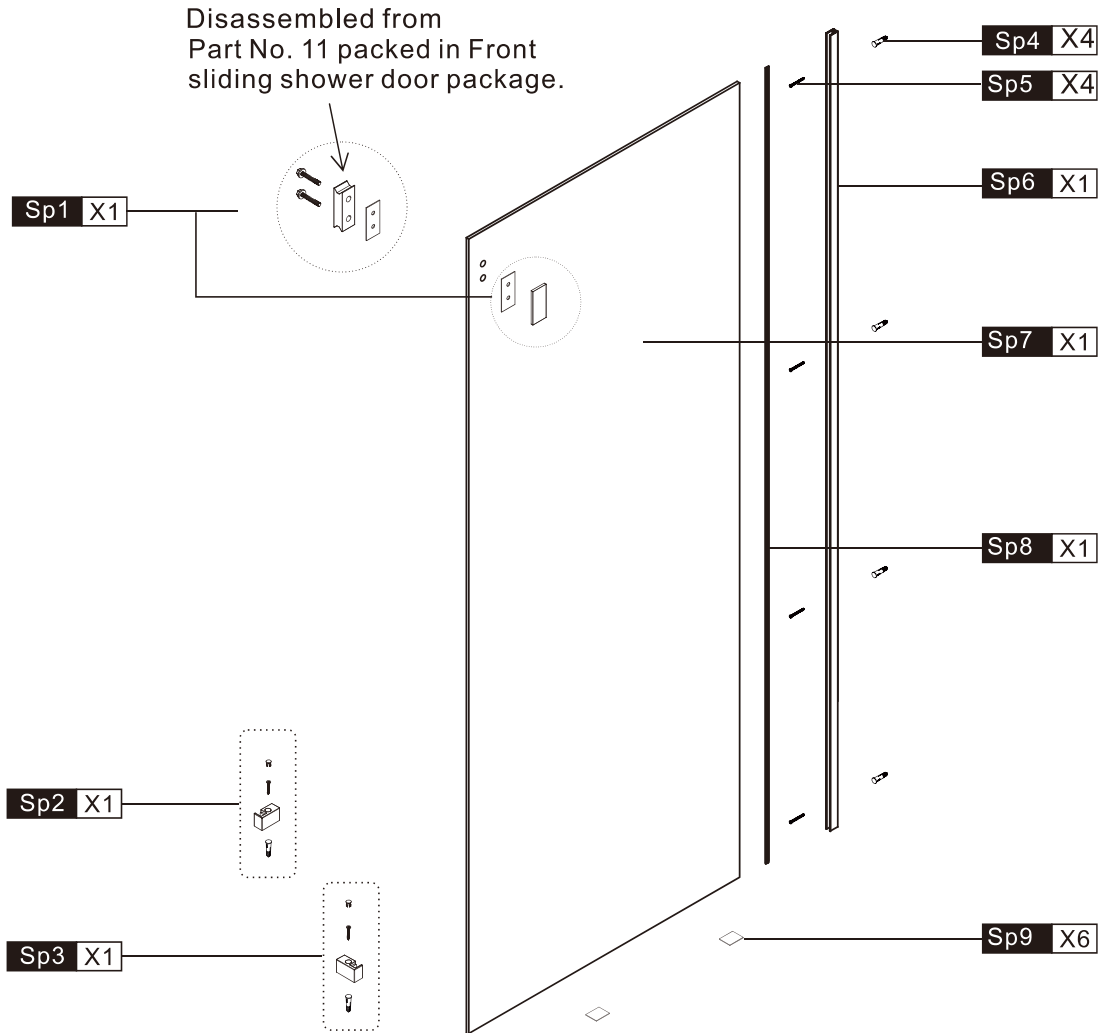


NO.	Product name	Qty
1	Fixed panel	1
2	Curved seal stripe	1
3	Straight seal stripe	1
4	Washer	6
5	Floor clamp	1
6	Center guider	1
7	Door bottom profile	1
8	Top rail	1
9	Glass connector	2

NO.	Product name	Qty
10	Stopper	2
11	Wall bracket	2
12	Roller	2
13	Lock in knob sets	2
14	Door glass	1
15	Bubble seal	1
16	Handle	1
17	End connector	1

X	Installation template	1
----------	-----------------------	---

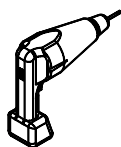
PARTS LIST



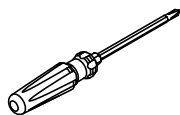
NO.	Product name	Qty
Sp1	Bar corner connector	1
Sp2	Left corner connector	1
Sp3	Right corner connector	1
Sp4	Wall profile screw plug	4
Sp5	Wall profile screw	4

NO.	Product name	Qty
Sp6	Wall profile	1
Sp7	Return panel	1
Sp8	Profile seal stripe	1
Sp9	Washer	6

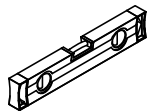
TOOLS AND MATERIALS REQUIRED



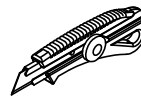
DRILL



SCREWDRIVER



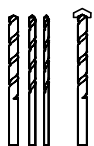
LEVEL



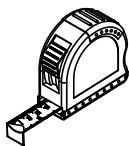
PRECISION KNIFE



SILICONE



DRILL BIT



MEASURING TAPE



SET SQUARE

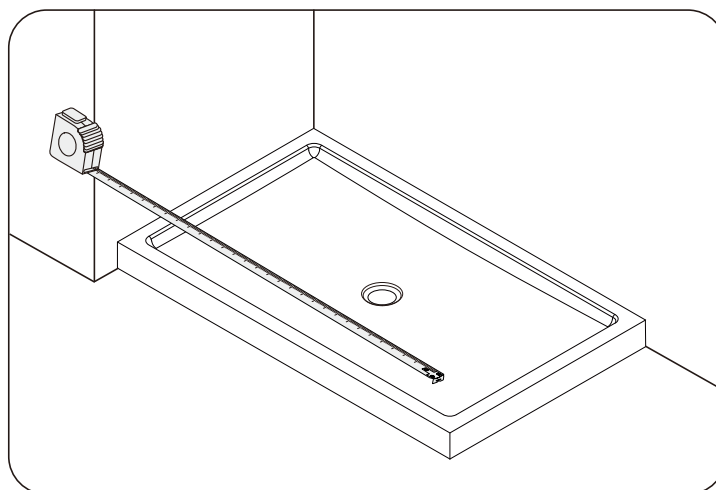
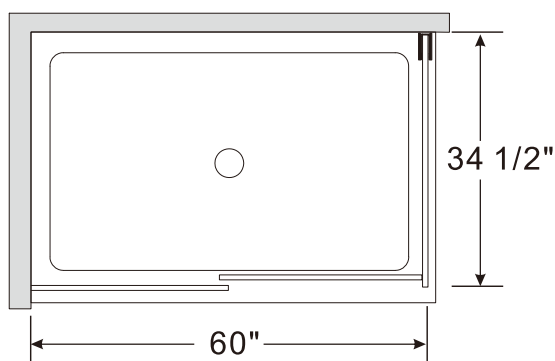


PENCIL



RUBBER HAMMER

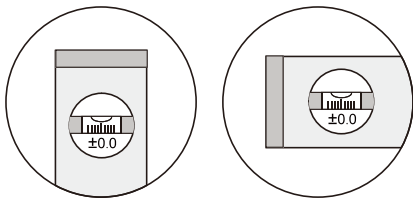
PREPARATION FOR INSTALL



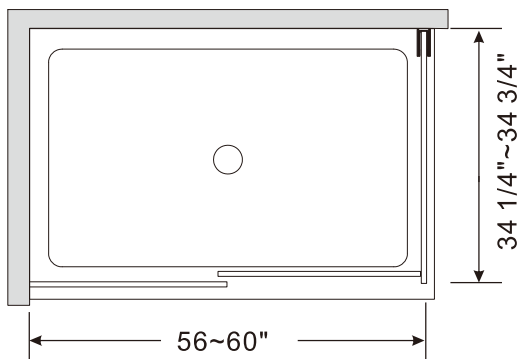
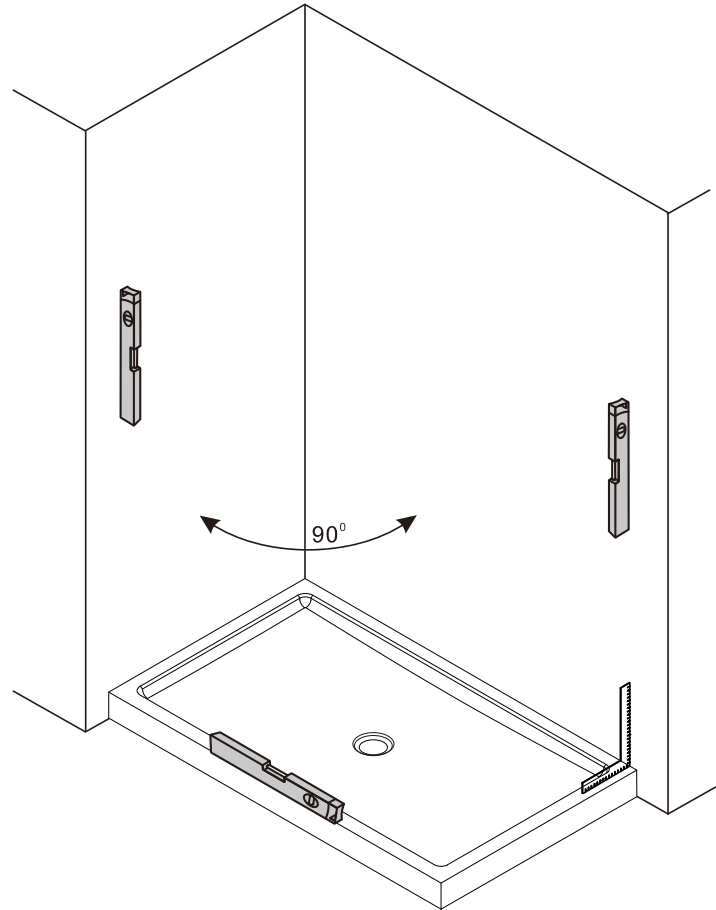
UNPACK THE SHOWER DOOR AND TAKE PHOTOS

1. Open the package and check if the glass is broken, shattered, etc.
2. Please check the hardware carefully for scratches, missing pieces, etc.
3. Any problems with the product, please take a photos and send to support@horow.com, we will be happy to solve it for you!

SITE MEASUREMENT




Wall must be plumb
Threshold must be level



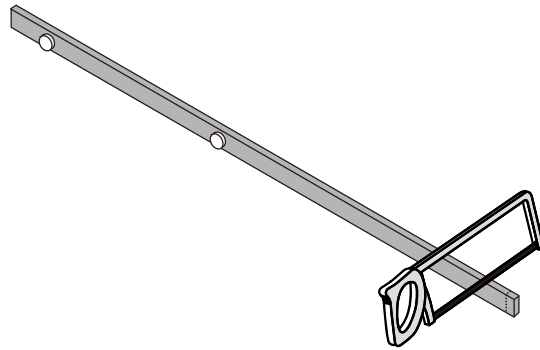
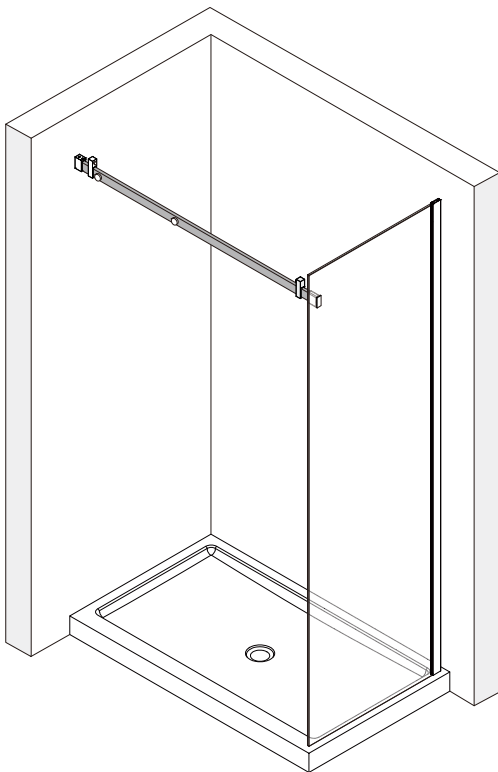
Our product recommended to install size between 56"~60", side panel can adjust between 34 1/4"~34 3/4", if the size for your shower area is less than 60", please refer to the following formula to cut the top/bottom rail.

TOP/BOTTOM RAIL CUTTING

Top rail cut formula _____

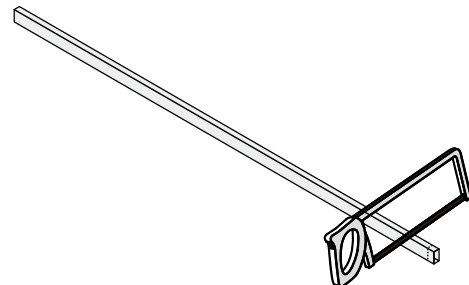


Note: when cutting top rail, cut off from the end without the holes/two glass connectors.



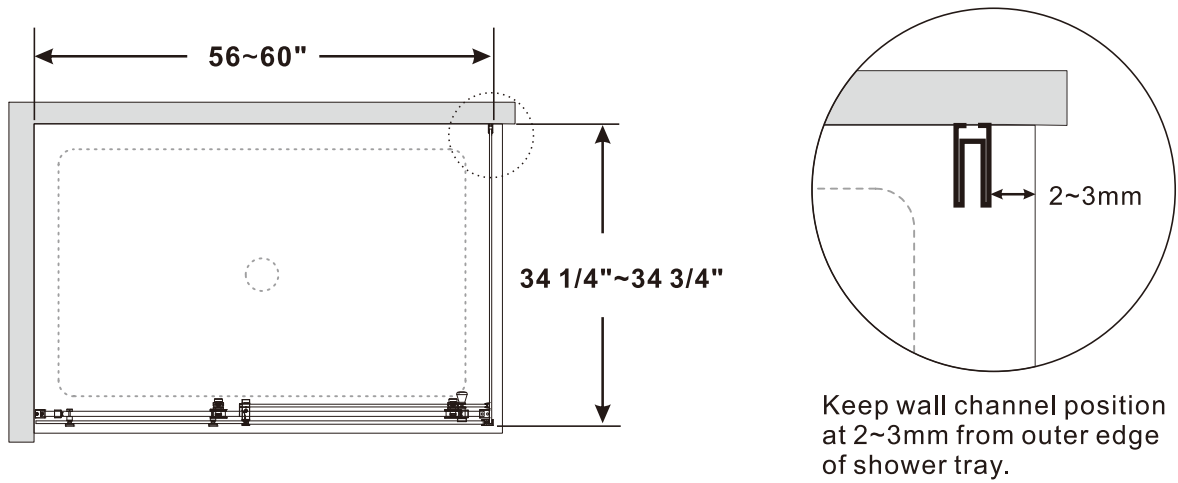
Finished opening (width)	56"	57"	58"	59"	60"
Cut off length	4"	3"	2"	1"	/

Bottom rail cut formula _____

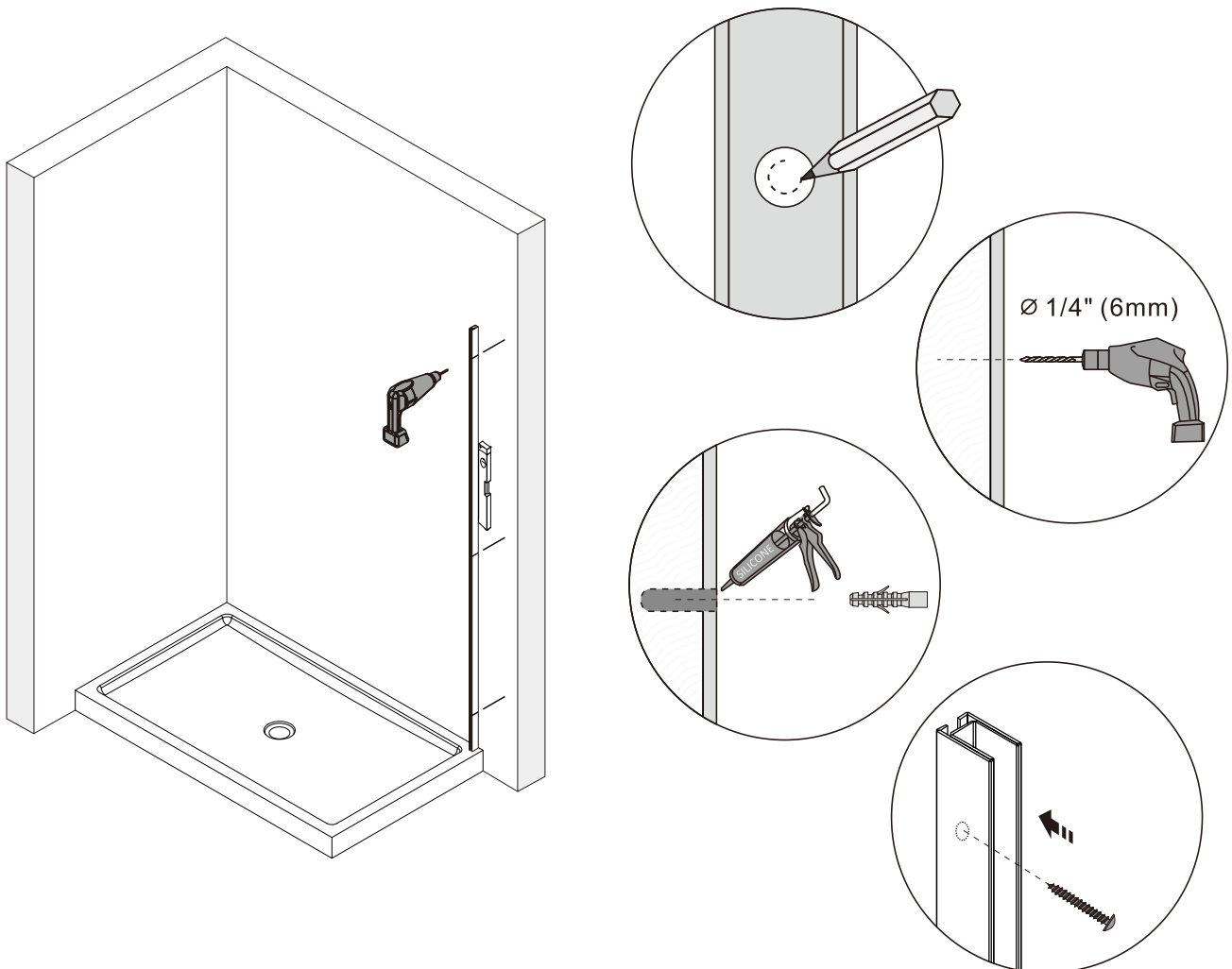


Following installation steps, when necessary, cut the door bottom profile length according to installer's recommendation.

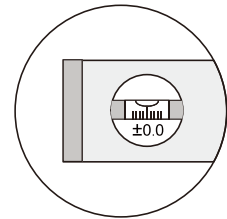
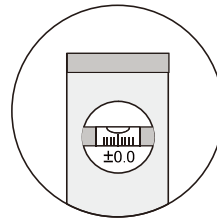
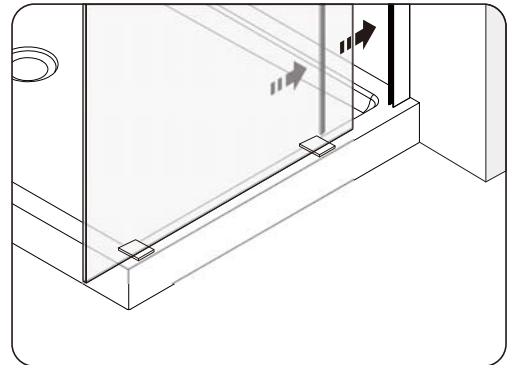
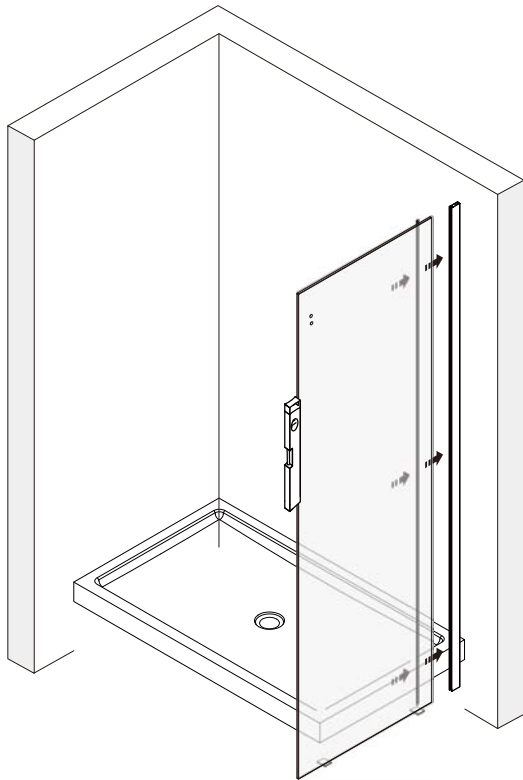
POSITIONING WALL PROFILE



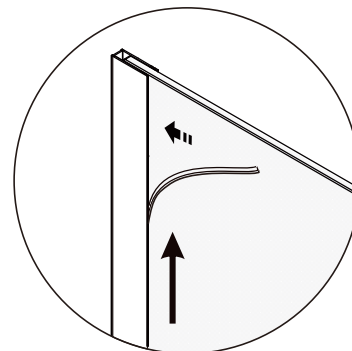
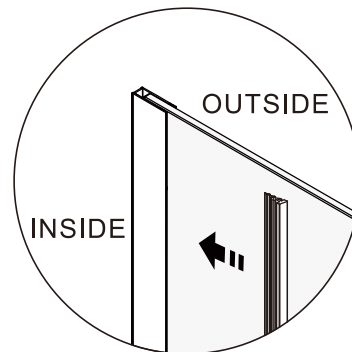
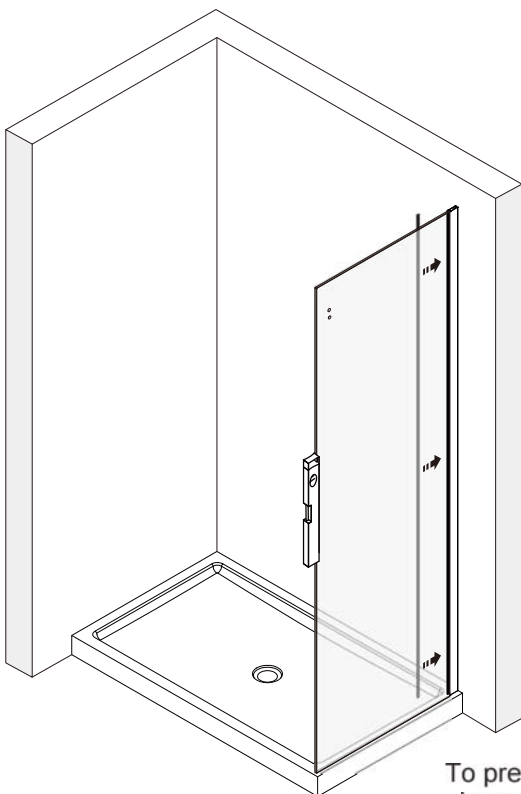
WALL CHANNEL INSTALLATION



RETURN PANEL INSTALLATION



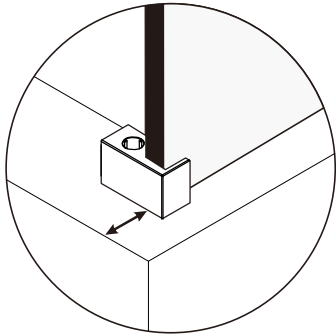
RETURN PANEL INSTALLATION



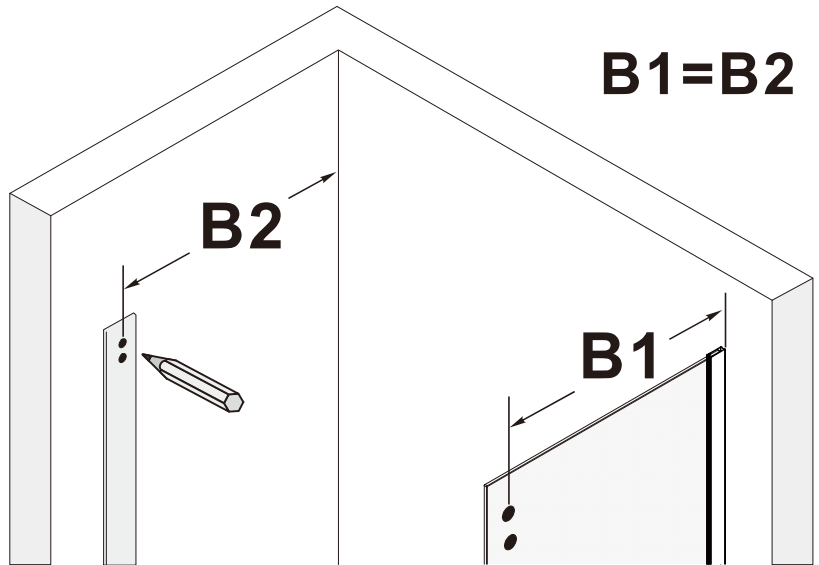
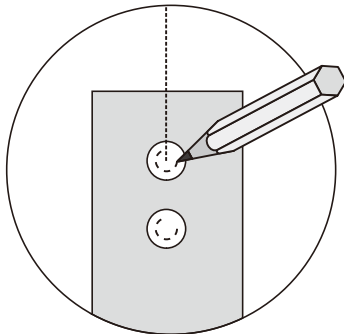
To prevent looseness problem it is recommended to caulk with silicone before install seal gasket.

The seal gasket should be installed at inner side for fixing the gap between wall profile and glass.

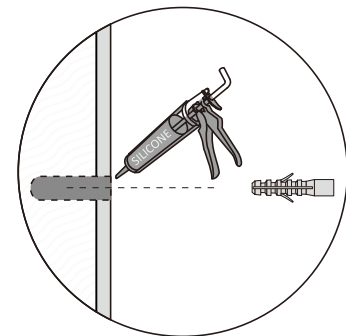
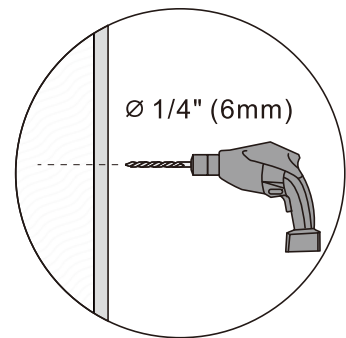
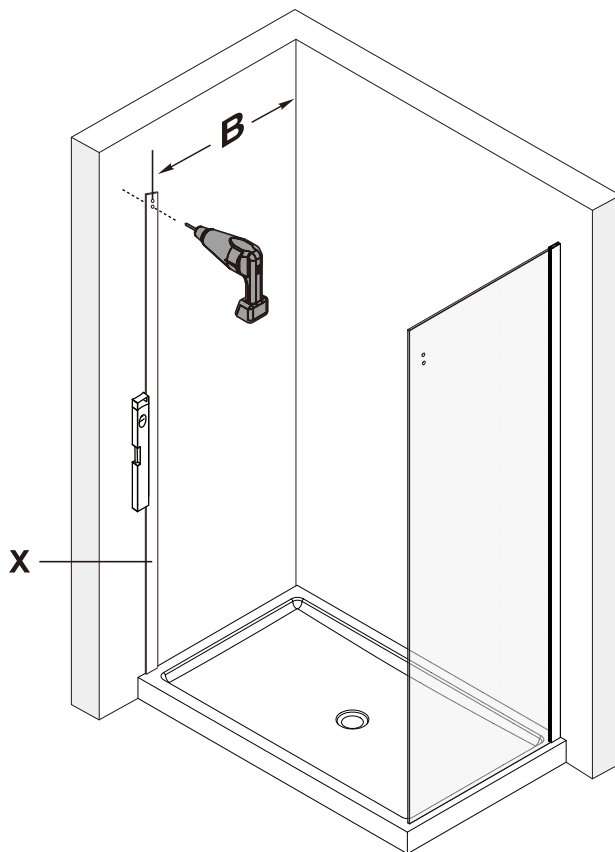
WALL CHANNEL INSTALLATION



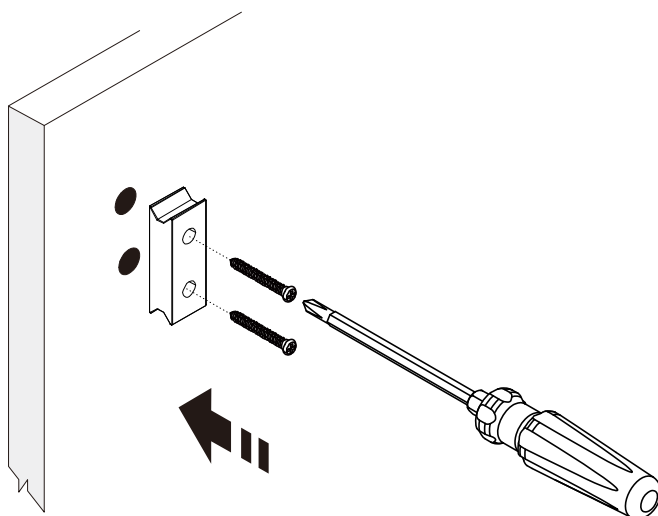
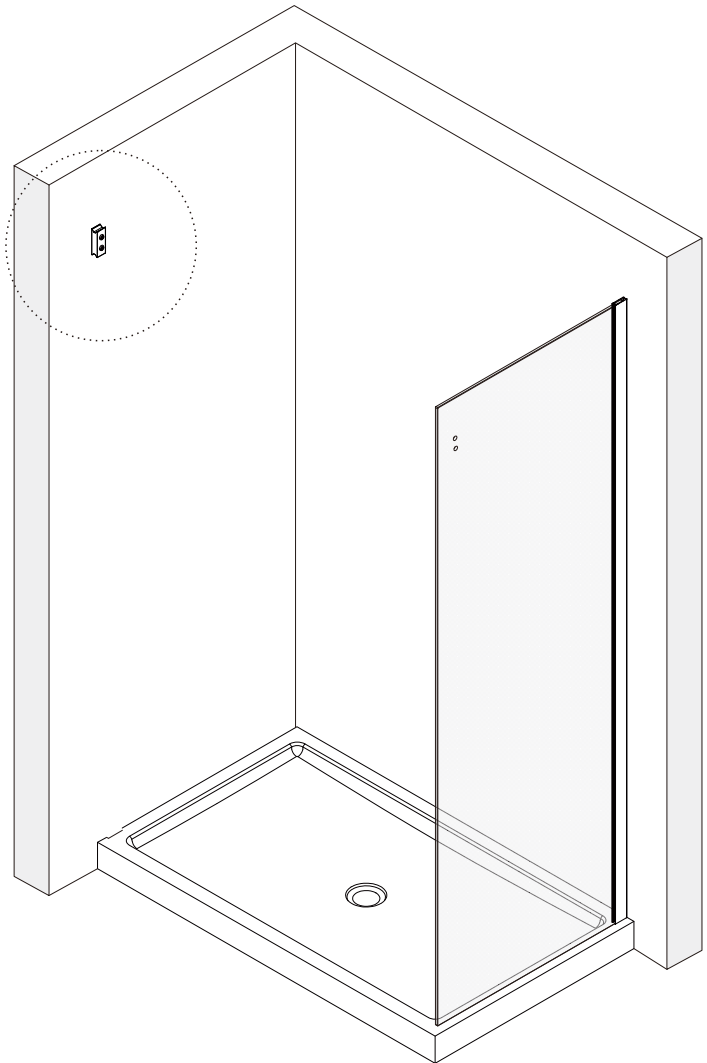
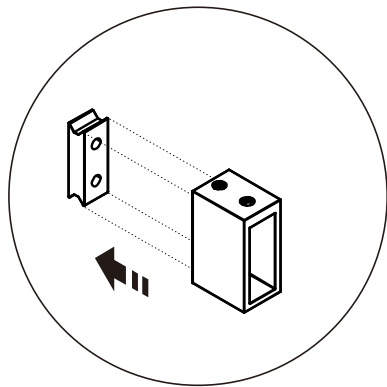
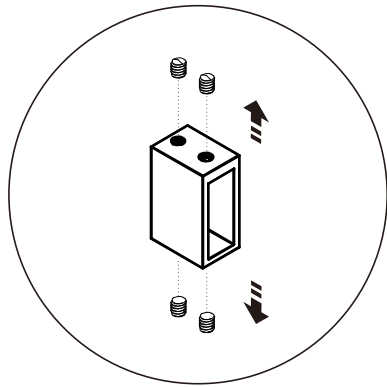
Put corner connector in position to ensure enough space for install bottom profile.



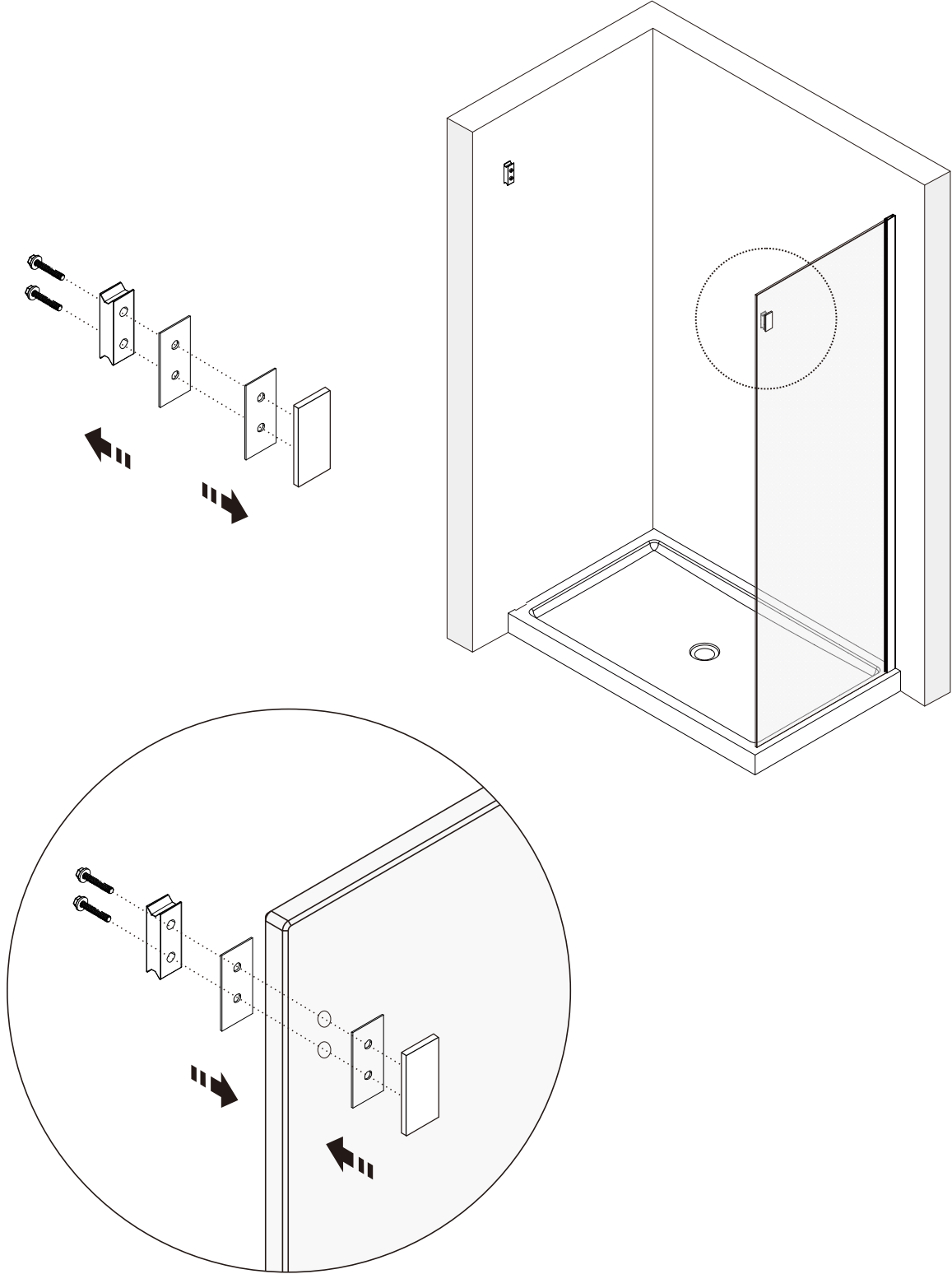
1. Measure B1 (from glass hole center to wall).
2. Positioning installation template B2 (from template center to wall) at same distance with B1.



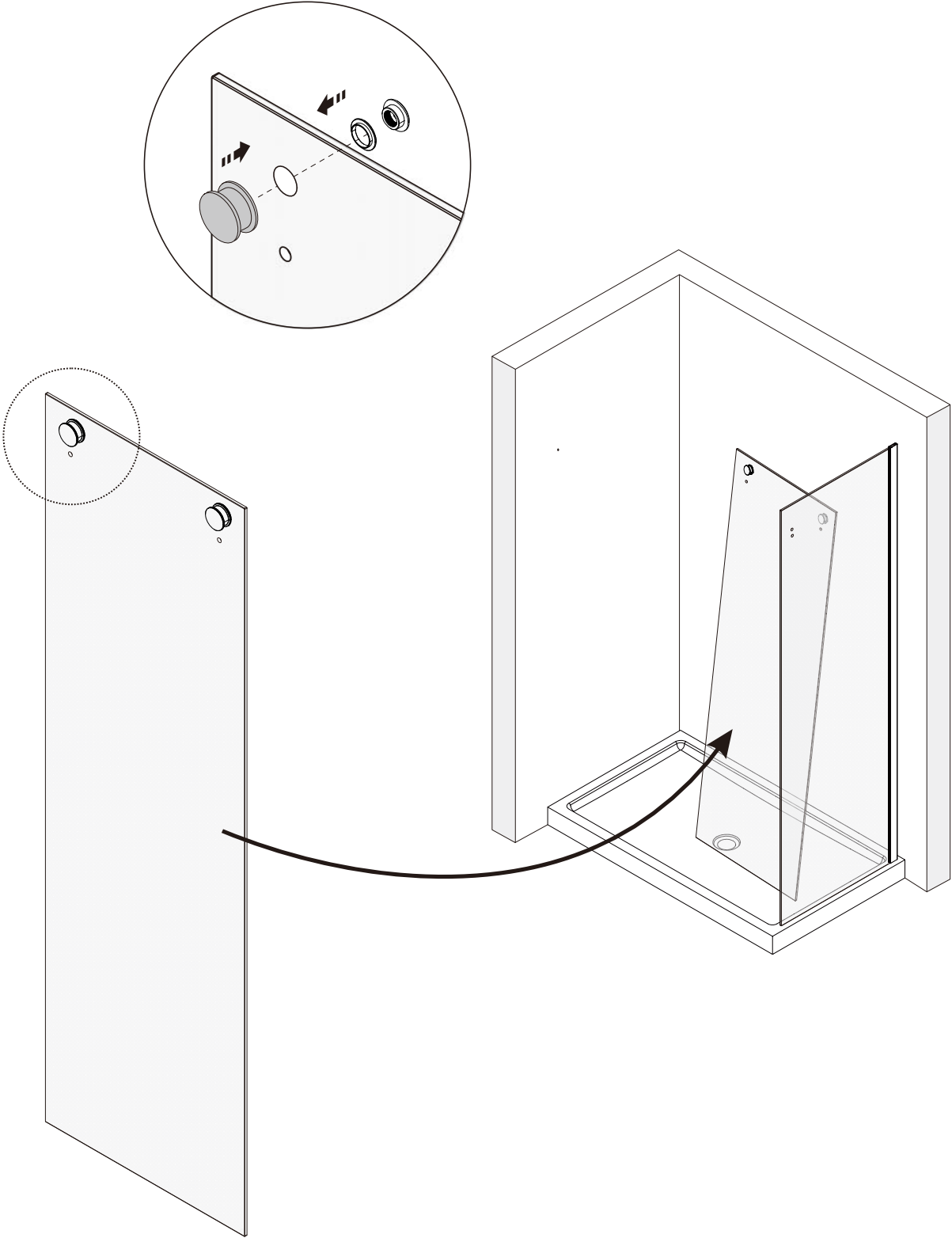
TOP RAIL WALL BRACKET INSTALLATION



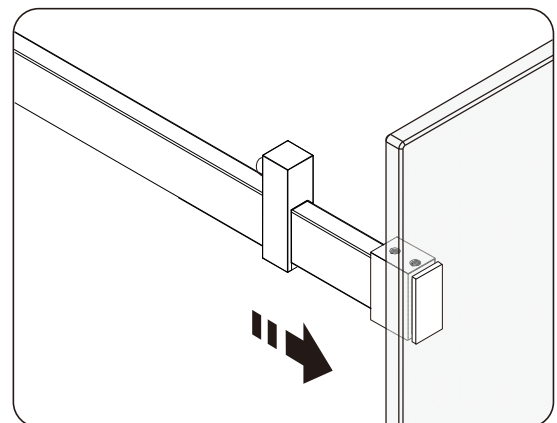
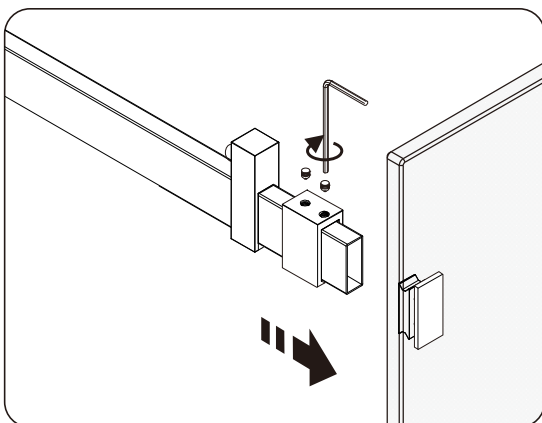
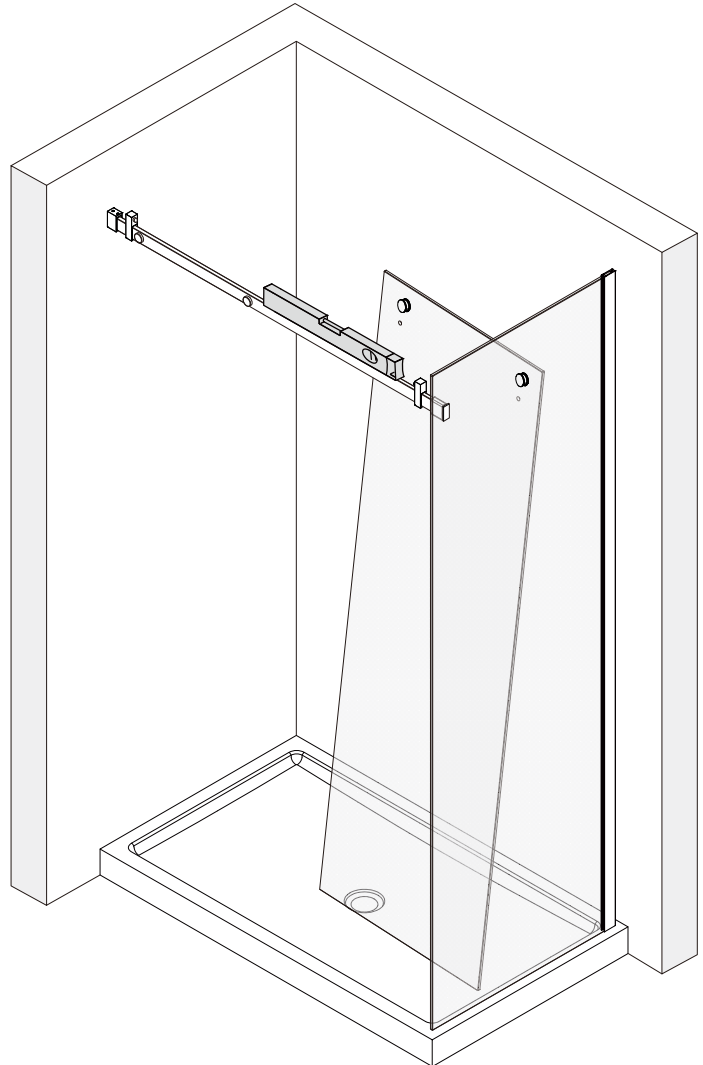
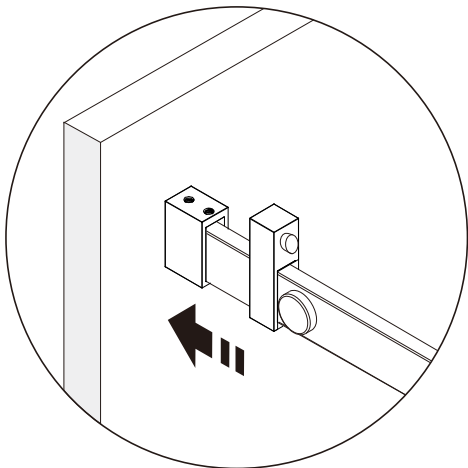
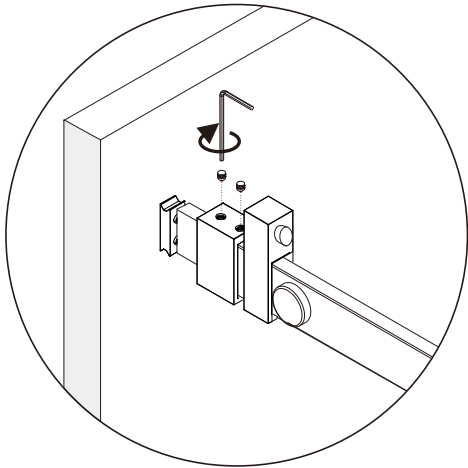
TOP RAIL GLASS BRACKET INSTALLATION



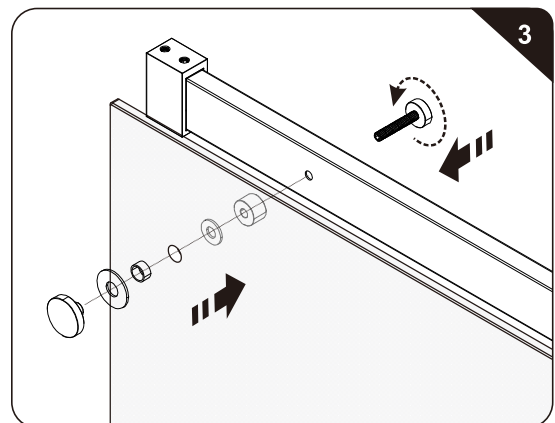
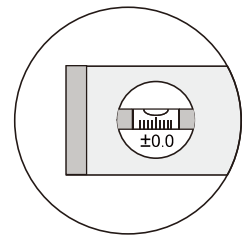
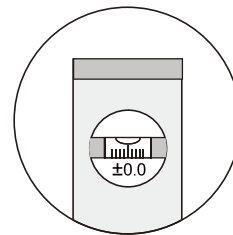
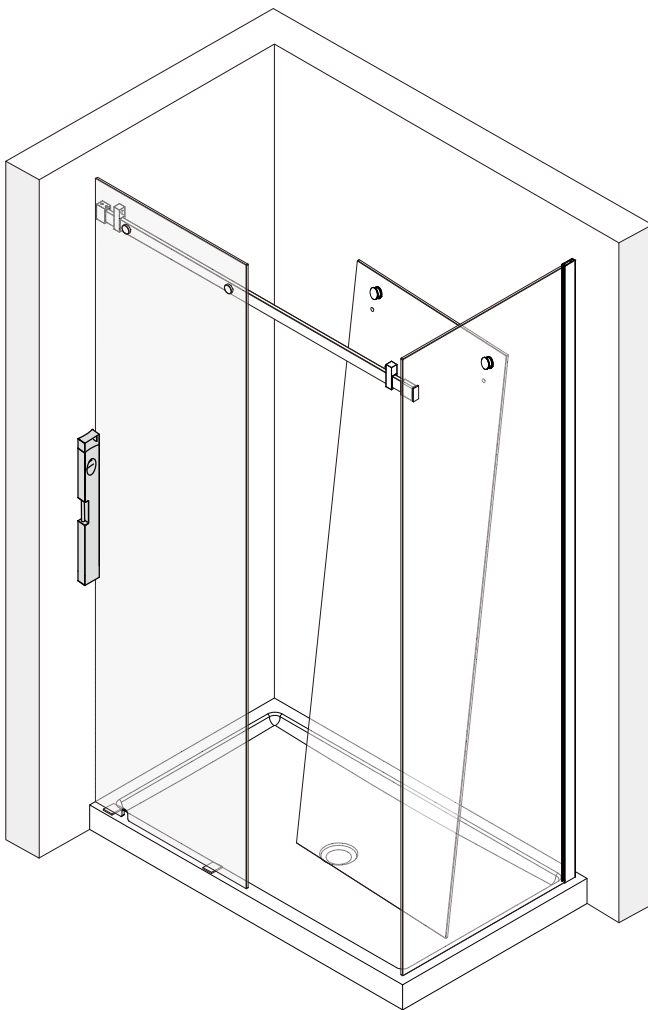
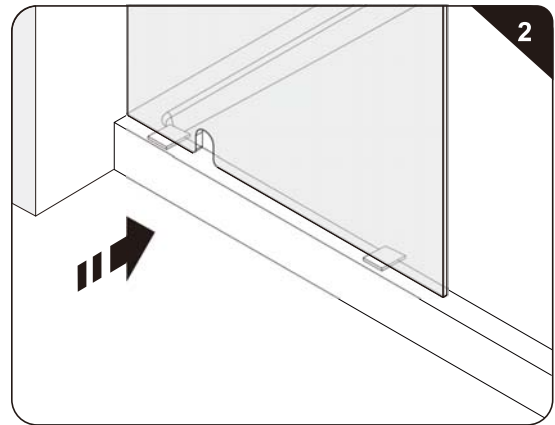
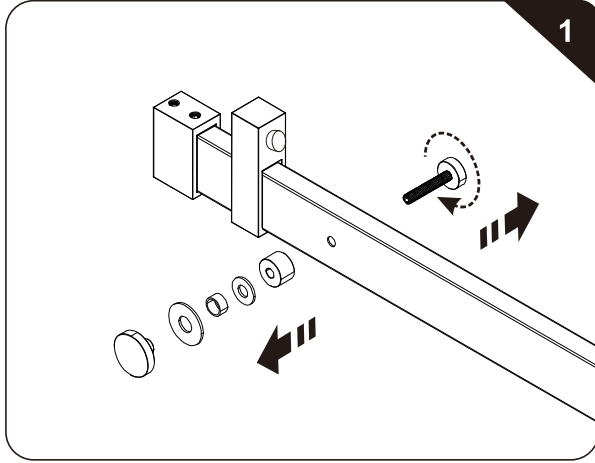
DOOR ASSEMBLY



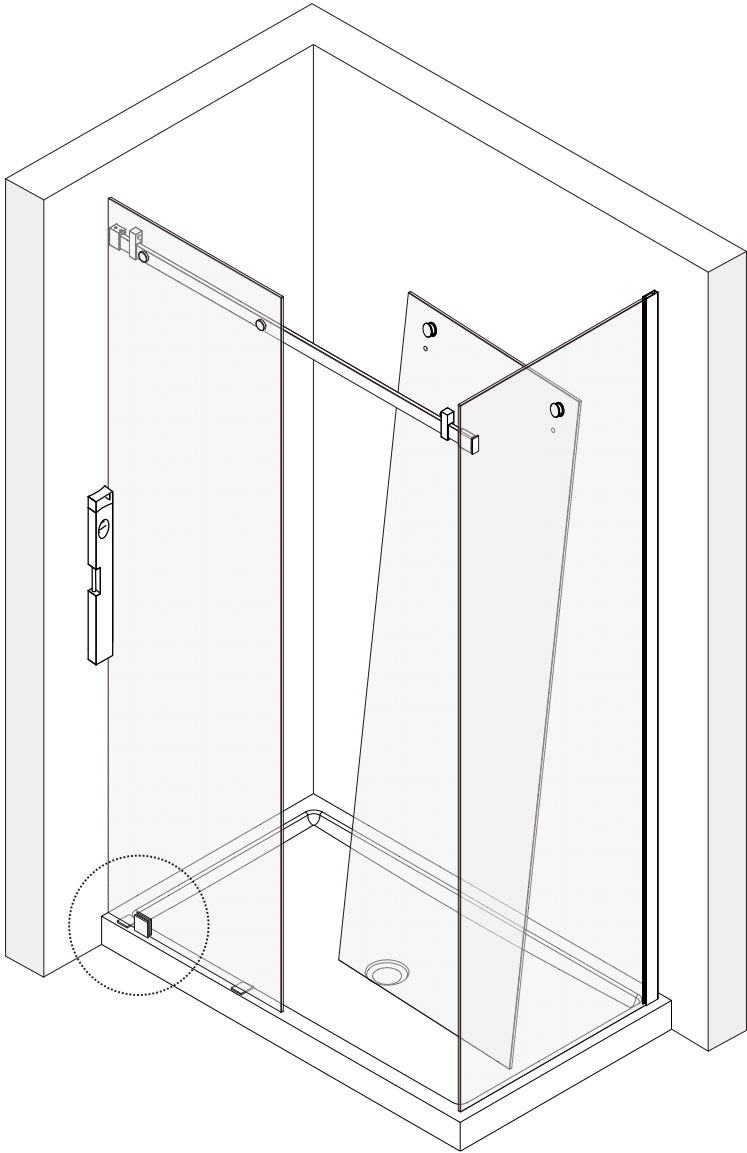
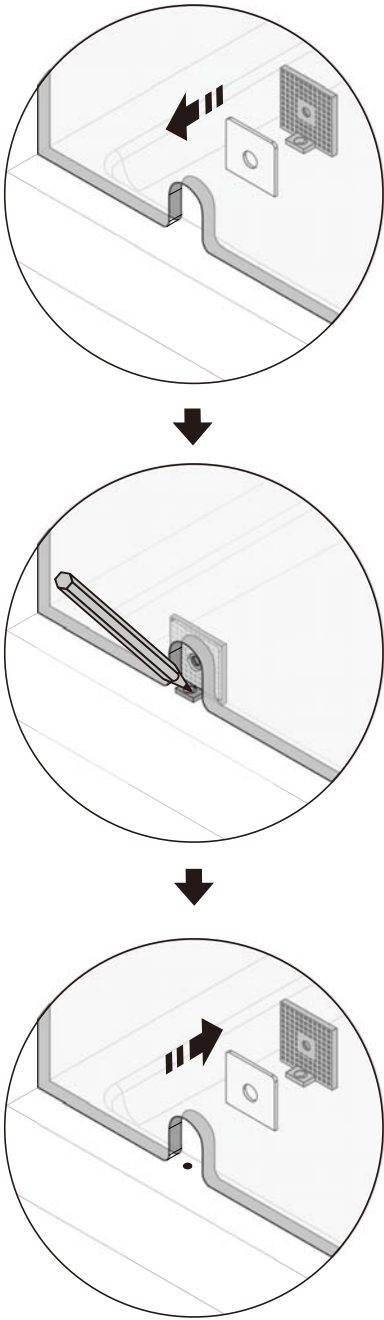
TOP RAIL INSTALLATION



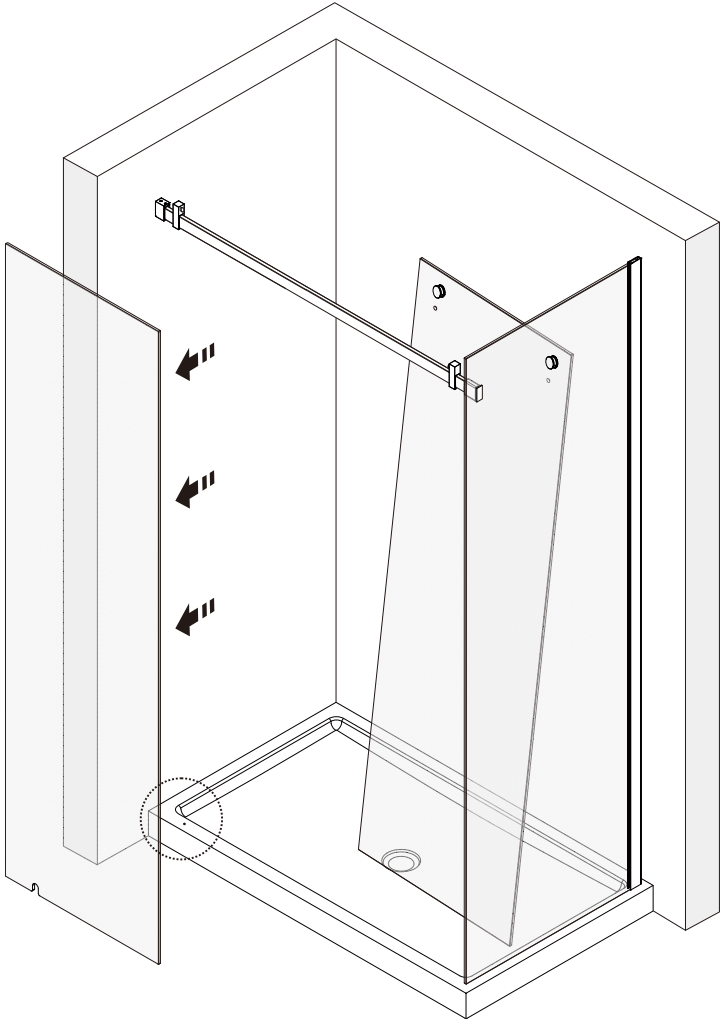
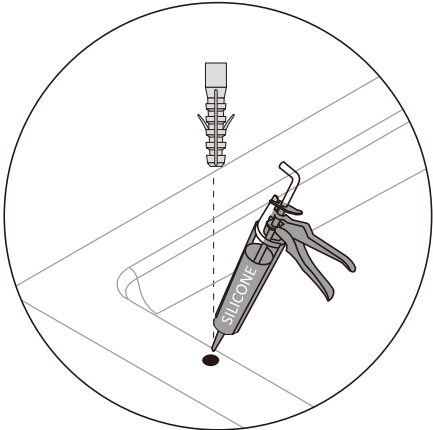
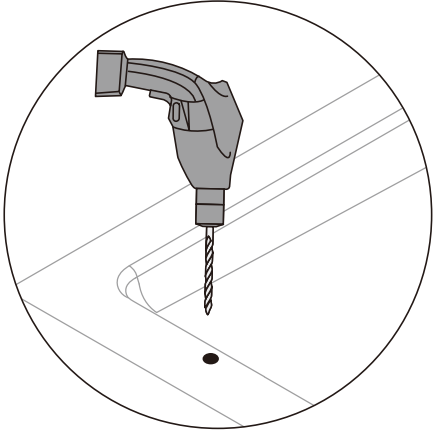
TRAIL INSTALL FIX GLASS



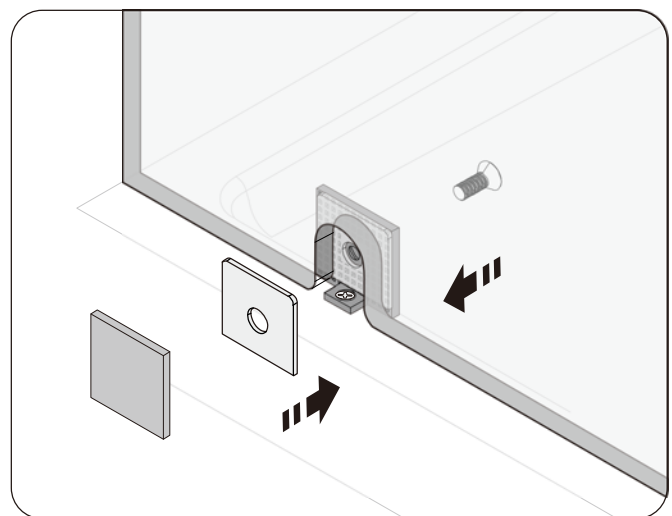
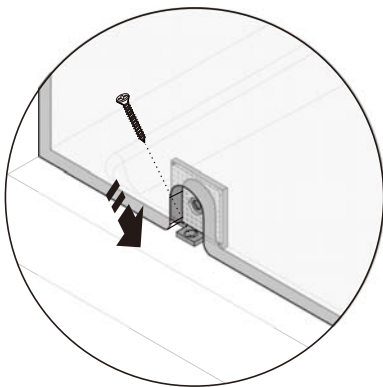
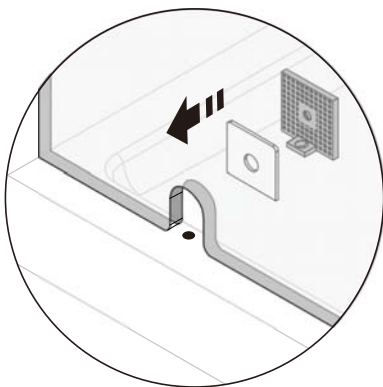
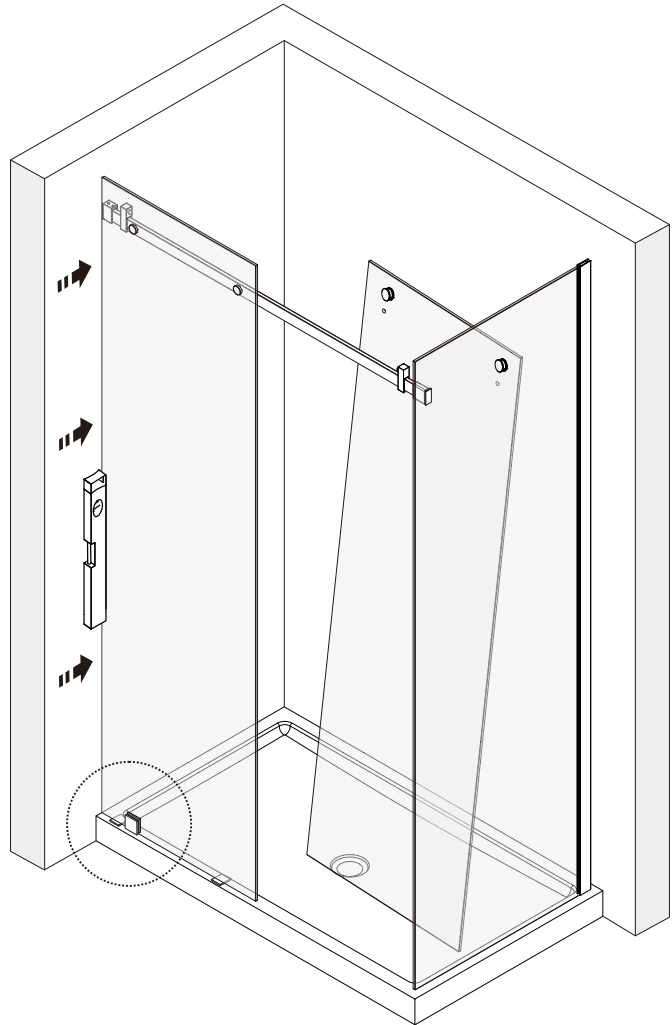
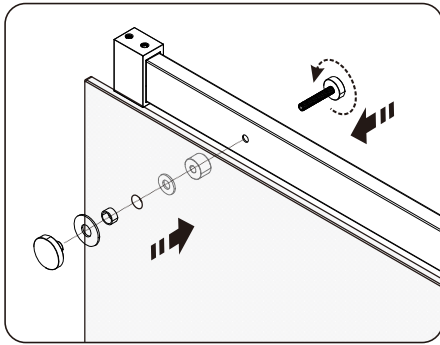
DRILL HOLE FOR FLOOR CLAMP



DRILL HOLE FOR FLOOR CLAMP



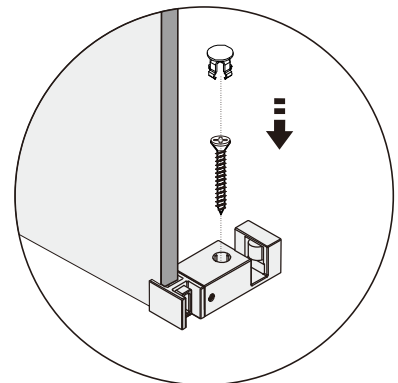
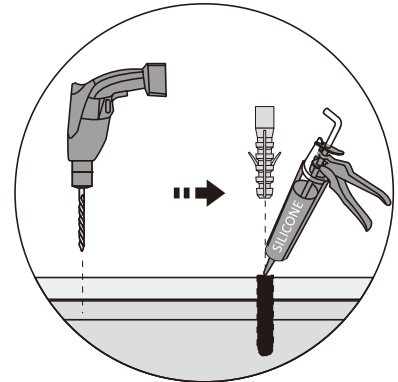
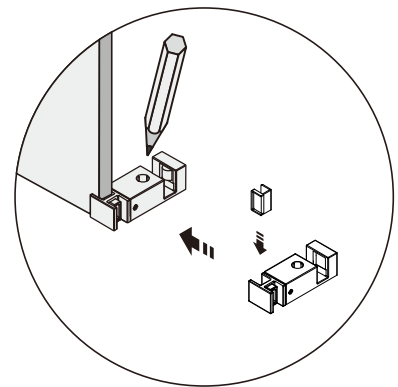
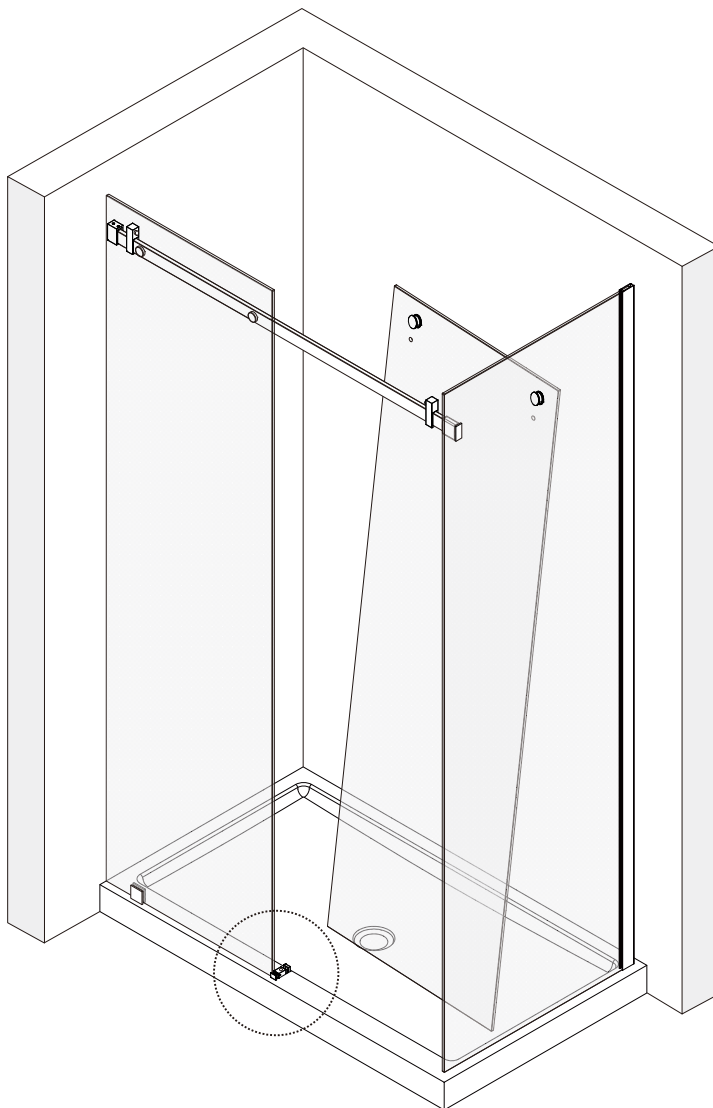
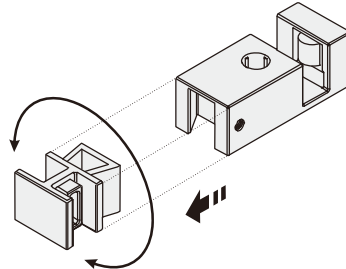
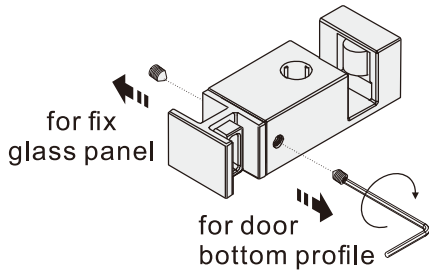
DRILL HOLE FOR FLOOR CLAMP



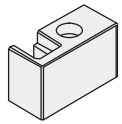
CENTER GUIDER INSTALLATION

The following bottom center guide shows left-handed sliding.

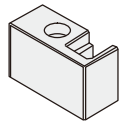
For right-handed sliding, twist hexagonal screw to separate outer part then reverse to refix.



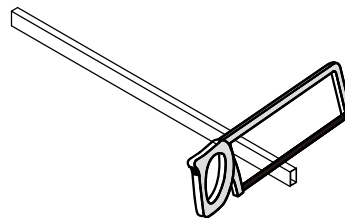
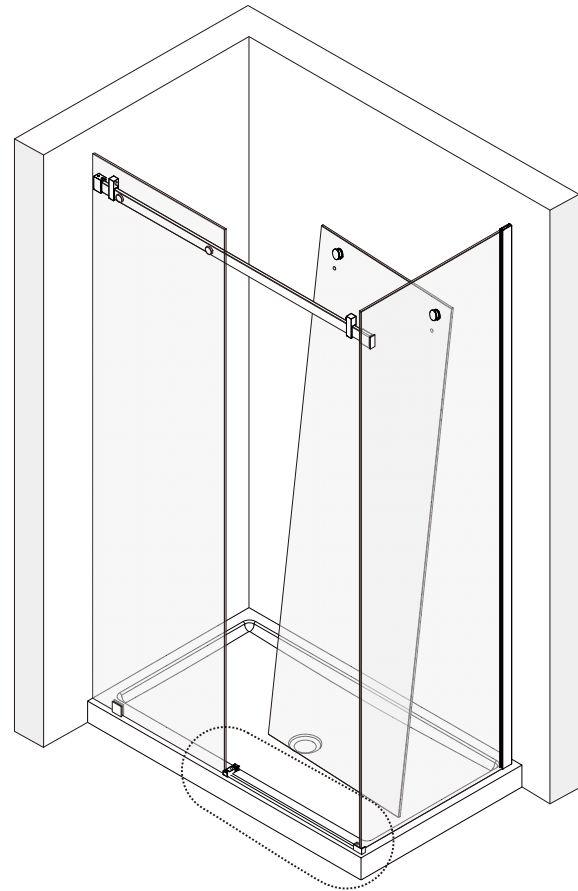
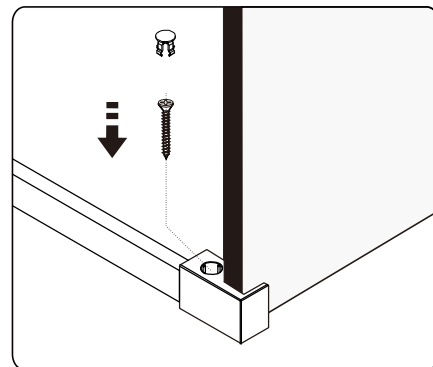
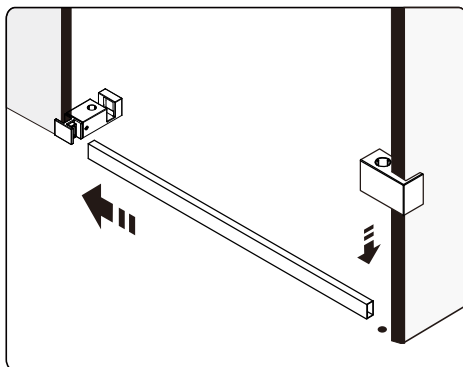
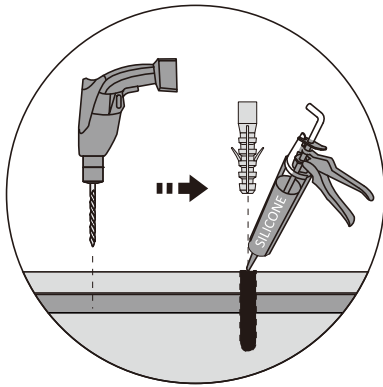
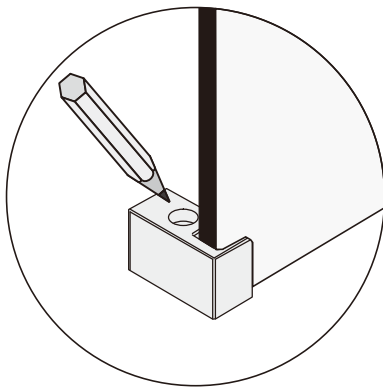
DOOR BOTTOM PROFILE INSTALLATION



For left
side panel

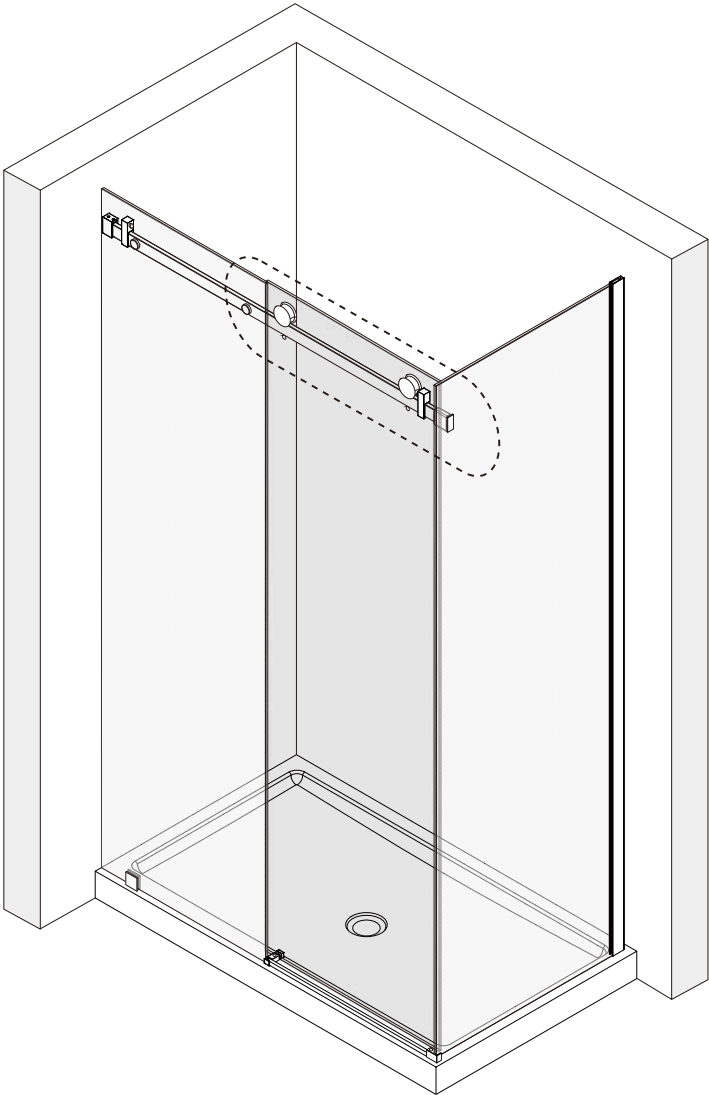
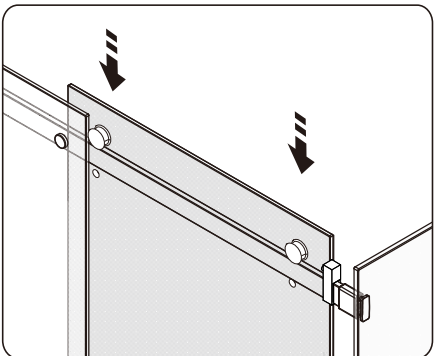
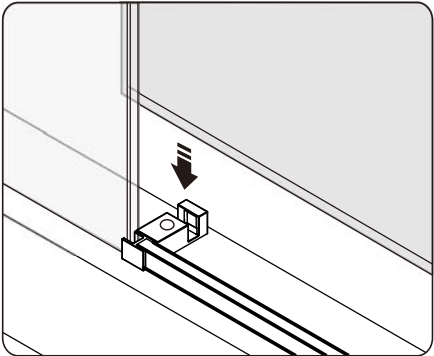
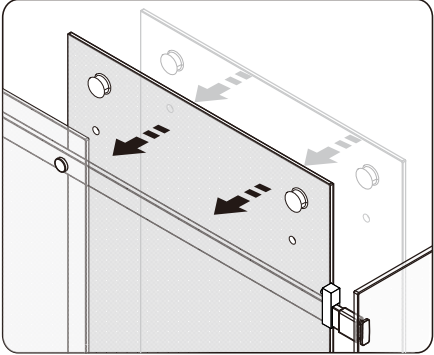


For right
side panel

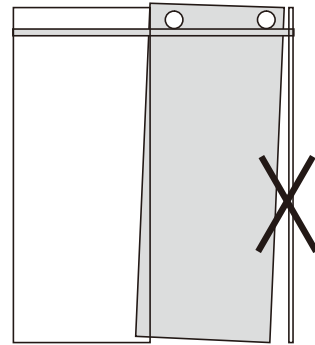
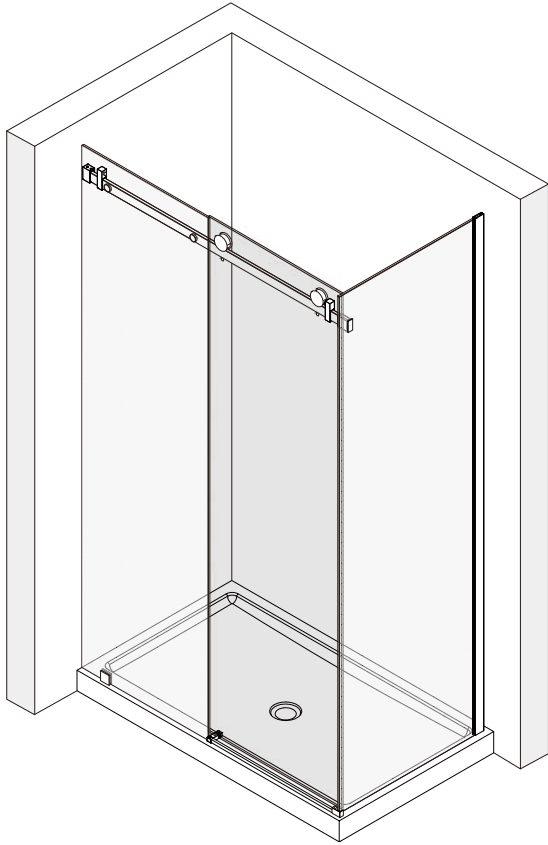


When necessary, cut the door
bottom profile length to ensure
it can fit inside properly.

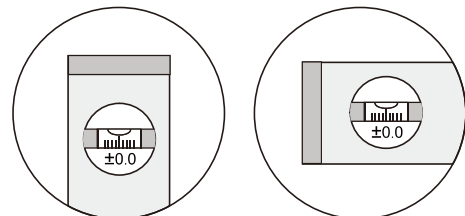
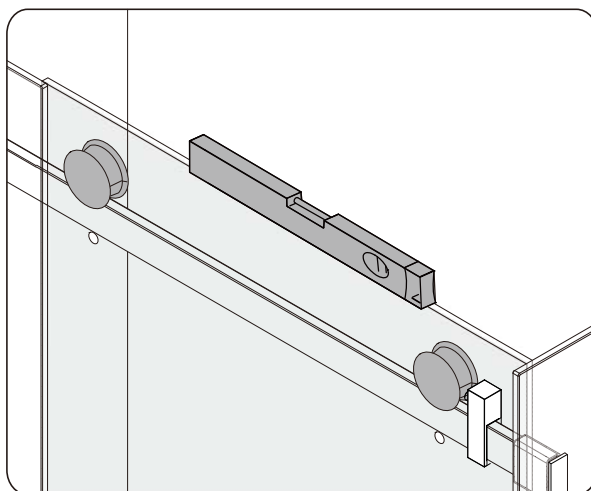
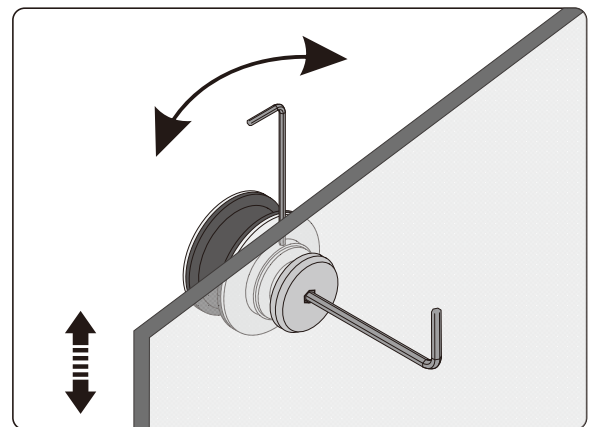
GLASS DOOR PANEL INSTALLATION



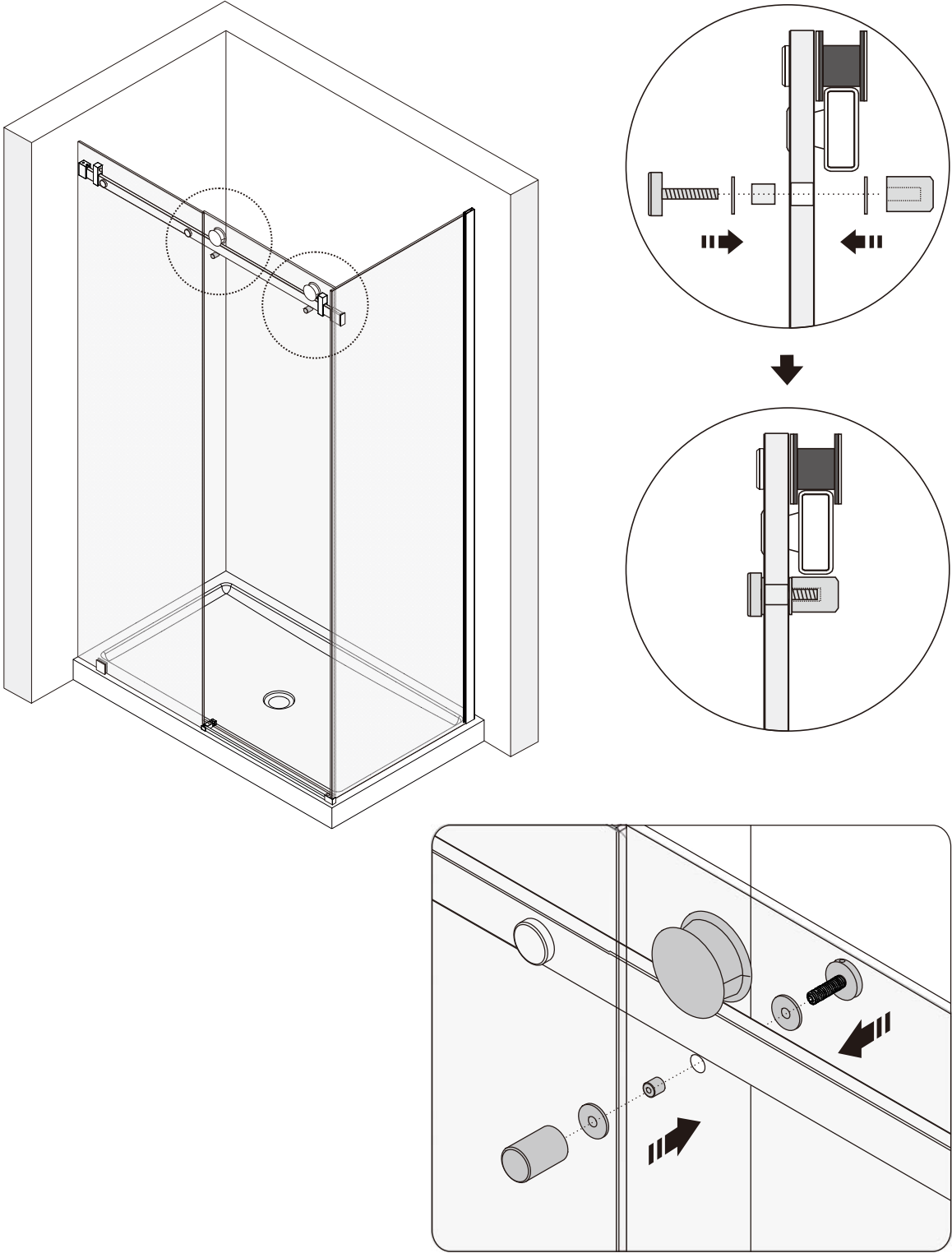
DOOR HEIGHT ADJUSTMENT



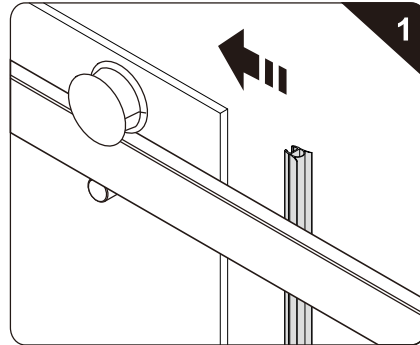
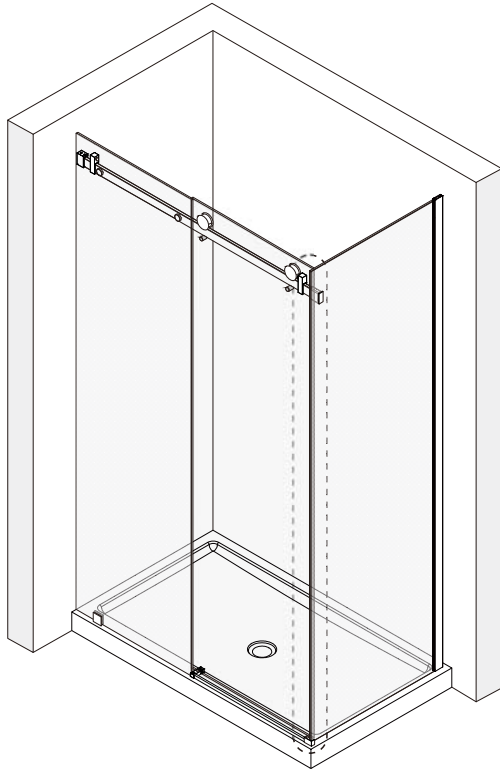
Carefully slide the door toward the wall and check the door closing, if it's unvertical, Make the adjustment by using offset in rollers, so that the sliding door is parallel to the tray.



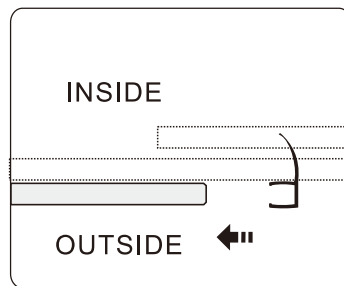
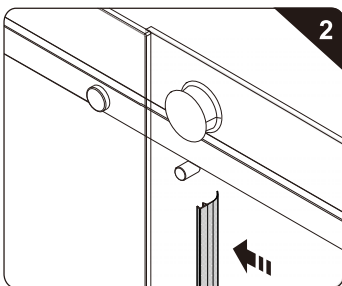
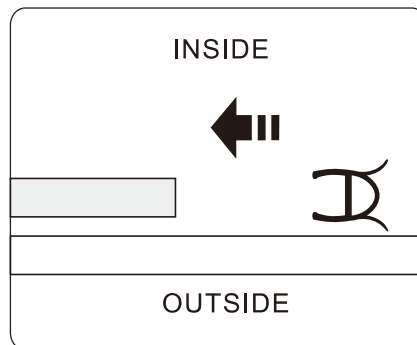
LOCK IN KNOB SETS INSTALLATION



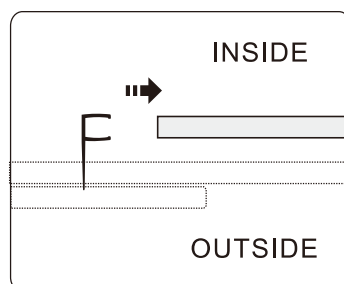
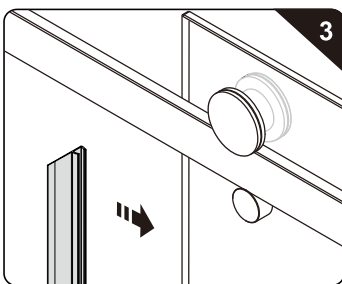
SEAL STRIPES INSTALLATION



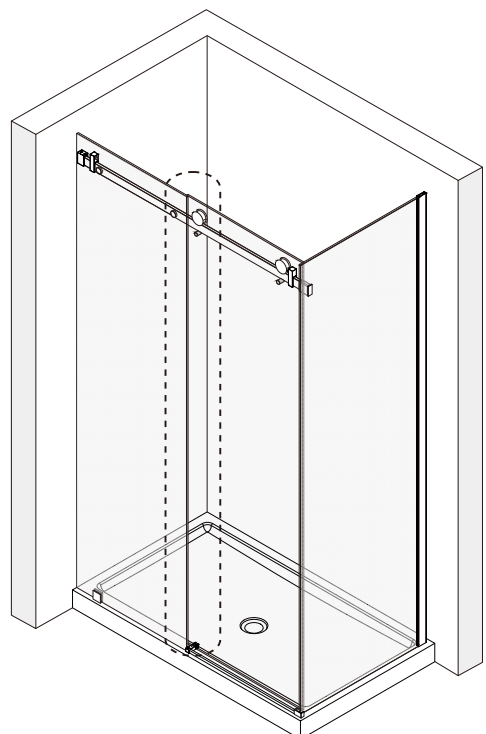
Seal stripes for door panel



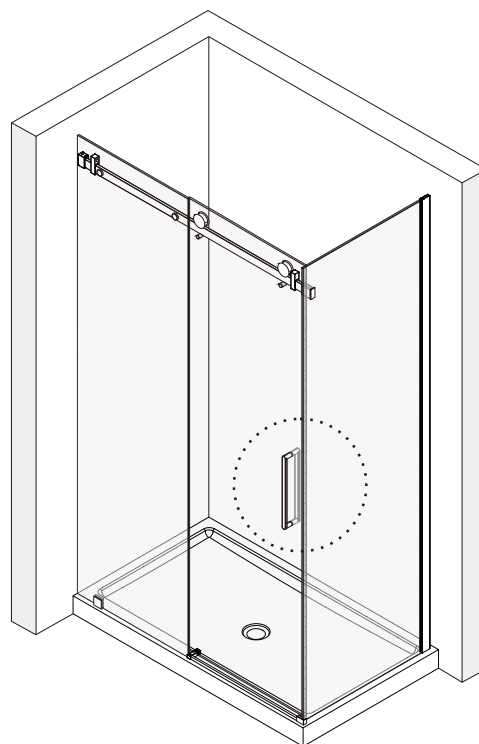
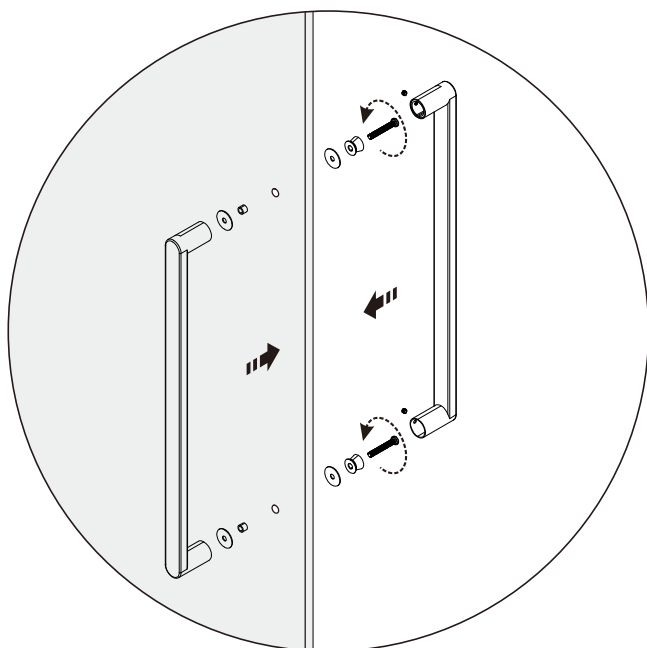
Curved edge seals for fix panel



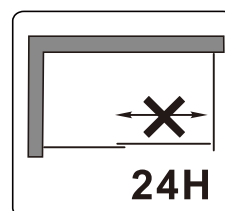
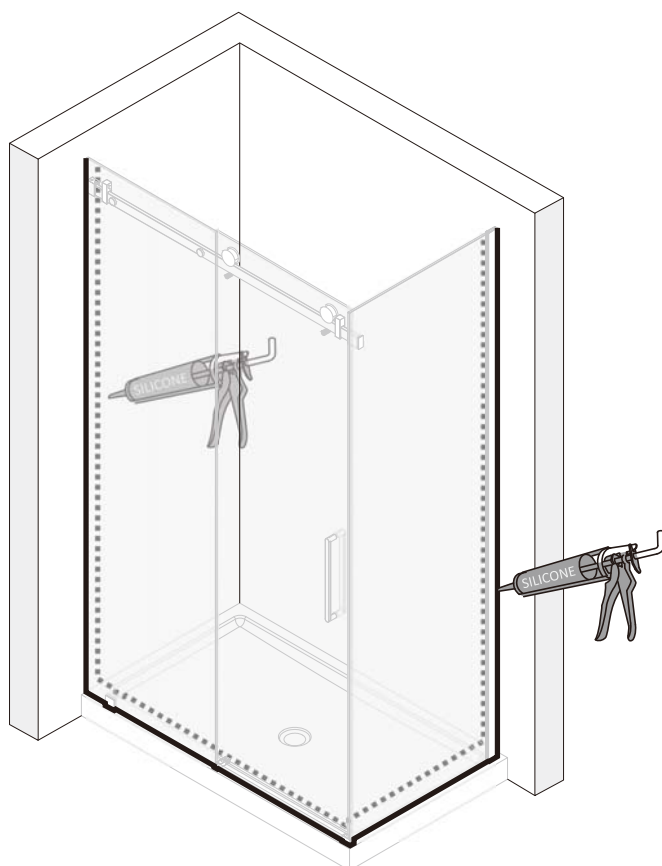
Straight edge seals for door panel



HANDLE INSTALLATION



CAULKING SILICONE



FOR YOUR SAFETY, PLEASE OBEY THE FOLLOWINGS!

In order to avoid any safety problems and accidental injuries, please read the "Safety Notices" carefully before using this product. Please refer to the conditions listed below and use this product correctly to avoid accidents (Highly recommended to keep this manual for future reference) .

Below are some examples of risky behavior, please avoid such dangerous behavior



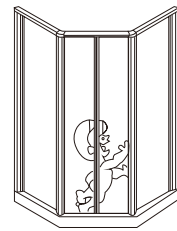
FORBIDDEN

Please do not let the children or the disabled enter the shower room alone, otherwise they may be hurt.



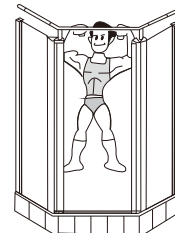
FORBIDDEN

Please do not let children play inside.



FORBIDDEN

Please do not hanging heavy objects.



ATTENTION

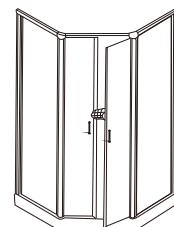
Please note, bathroom floors are slippery, please pay attention to the threshold when enter and exit to avoid slipping.



FOR YOUR SAFETY, PLEASE OBEY THE FOLLOWINGS!

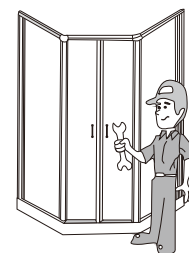
FORBIDDEN

Please do not place your hands between the gaps to prevent crushing.



Caution Points

- To avoid damage, please do not rub or hit the door.
- Worn caulk may cause water leaks, please check and re-caulk promptly.



- The following items may cause physical harm and may damage the shower. Please do not use them in your bathroom.

Acid and alkaline solvents, medicine (e.g hydrochloric acid), acetone thinner, solvents, cleanser, polishers, nylon brooms or sand paper.



