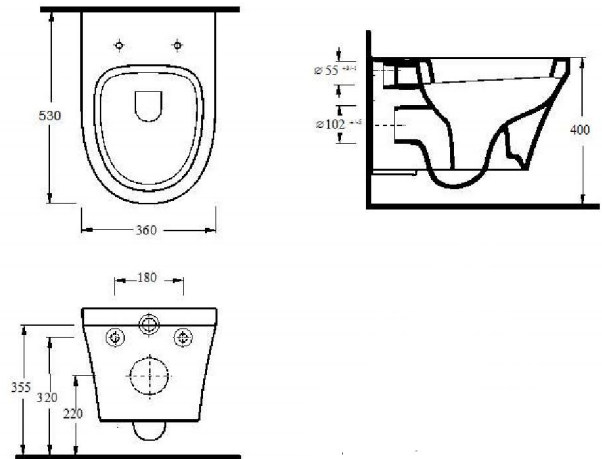


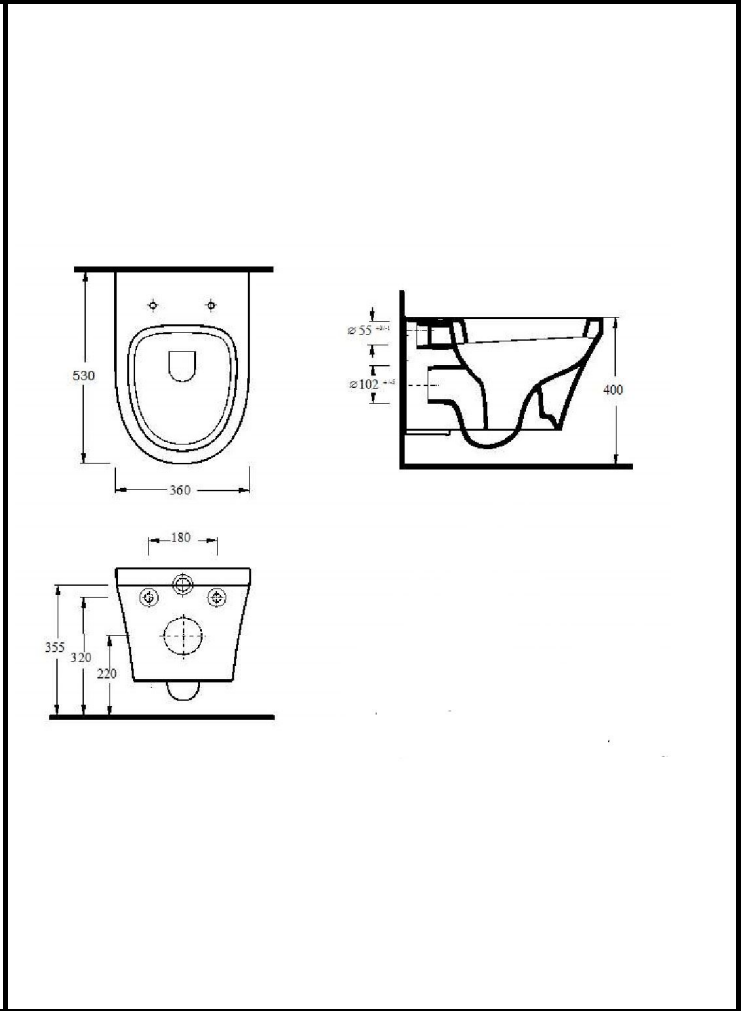
CUSTOMER DATA SHEET

DESCRIPTION: Wall Hung Pan And Seat



CUSTOMER DATA SHEET - CERAMICS

DESCRIPTION: Wall Hung Pan



PRODUCT DIMENSIONS			
Height (mm)	Width (mm)	Depth (mm)	Nett Wgt Kg
400	355	530	32.7

PACKAGING DIMENSIONS			
Height (mm)	Width (mm)	Depth (mm)	Gross Wgt Kg
400	360	550	32.7

PACKAGING DATA			
Box Colour	Brown Cardboard Box - Printed		
Box Qty	1	Label Colour	White Label
Label Size	100 x 50	Label Qty	2

OUTER BOX DIMENSIONS (If Applicable)			
Height (mm)	Width (mm)	Depth (mm)	Gross Wgt Kg

PRODUCT DETAILS	
Country of Origin	Turkey
Fitting Instruction	No

Certification	CE	Yes	WRAS	N/A	WRAS Number	N/A
Product Material	Vitreous China					

PANS/BIDETS			
Trap Style	P Trap	Includes Seat	No

CISTERNS			
Fittings	Not Applicable	Operating Type	Not Applicable
Lever Type	Not Applicable		

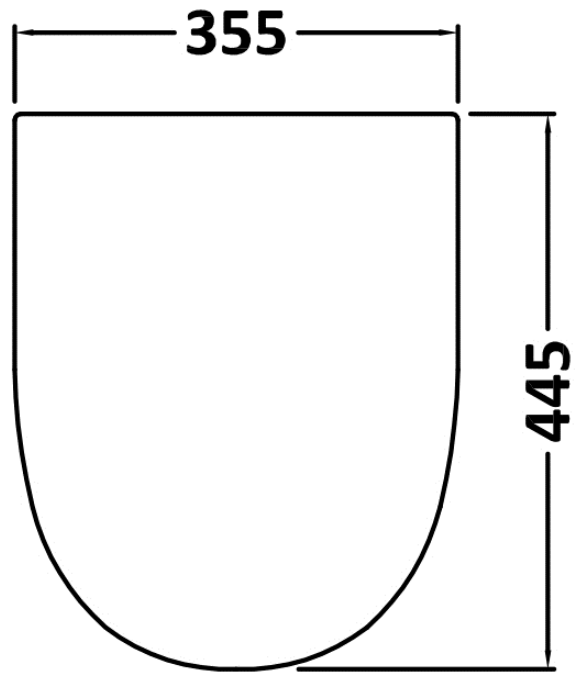
SEAT			
Type	Round	Function	Not Applicable
Material	Not Applicable		
Hinge Type	Top Fix	Hinge Material	Not Applicable

BASINS			
Tap Hole	Not Applicable	Chain Stay Hole	Not Applicable
Template	Not Applicable	Waste Type Req'd	Not Applicable
Overflow Incl.	Not Applicable	Overflow Cover	Not Applicable
Inner Bowl Depth	N/A		

GENERAL	
Fixing Supplied	No

CUSTOMER DATA SHEET - TOILET SEATS

DESCRIPTION: Soft Close Seat



PRODUCT DIMENSIONS

Length (mm)	Width (mm)	Height(mm)	Nett Wgt Kg
445	355	45	2.4

PACKAGING DATA

Box Colour	White Cardboard Box - Printed		
Box Qty	1	Label Colour	Not Applicable
Label Size	100 x 50	Label Qty	1

PACKAGING DIMENSIONS

Length (mm)	Width (mm)	Height (mm)	Gross Wgt Kg
500	365	50	2.4

OUTER BOX DIMENSIONS (If Applicable)

Length (mm)	Width (mm)	Height (mm)	Gross Wgt Kg
400	470	475	

PRODUCT DETAILS

Country of Origin	Turkey
Fitting Instruction	No
Product Material	Polypropylene
Seat Type	D Shape
Hinge Centres (Min)	150
Hinge Centres (Max)	186

CE Certification	Not Applicable
Colour/Finish	White
Fixing Method	Top Fix
Seat Function	Soft Close
Hinge Material	Polypropylene