

CARE AND MAINTENANCE

Store outdoor furniture indoors or cover well when not in use.

Remove wooden furniture from standing water. Dust regularly with small brush or vacuum

Spills should be taken care of immediately before they harden or stain with a slightly dampened sponge.

NOTICE

- * Please make sure that you have all parts indicated before you begin assembly of this item
- * This item should be assembled on a soft surface to prevent scratching the finish during assembly
- * This item may require periodic tightening






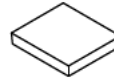
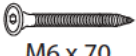

Weight Capacity : 600 Ibs

Warning : Do not stand on chair

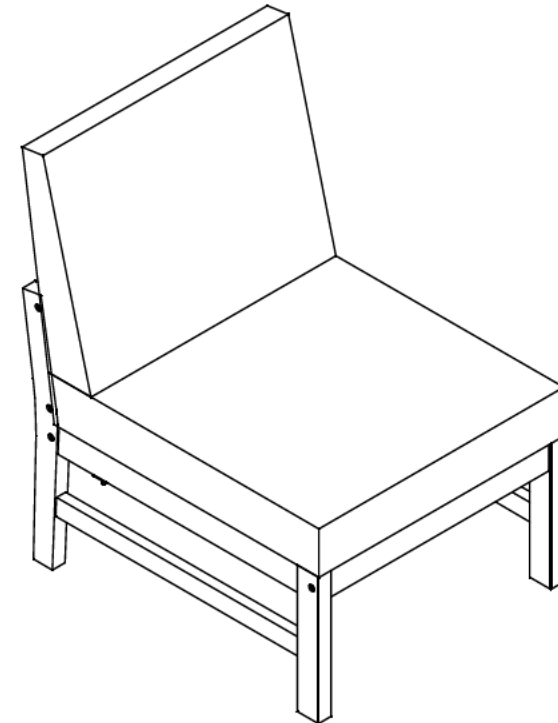
Warning : Do not over torque bolts / screws



Part List and Hardware List

PIECE	DESCRIPTION	PICTURE	QUANTITY
A	Back Frame		1X
B	Seat Frame		1X
C	Leg Frame		2X
D	Font & Back Brace Bar		2X
E	Cushion Back		1X
F	Cushion Seat		1X
G	Screw	 M6 x 70	8X
H	Allen key	 LG4	2X

Product Dimensions: 22.8" W x 29.1" D x 30.7" H



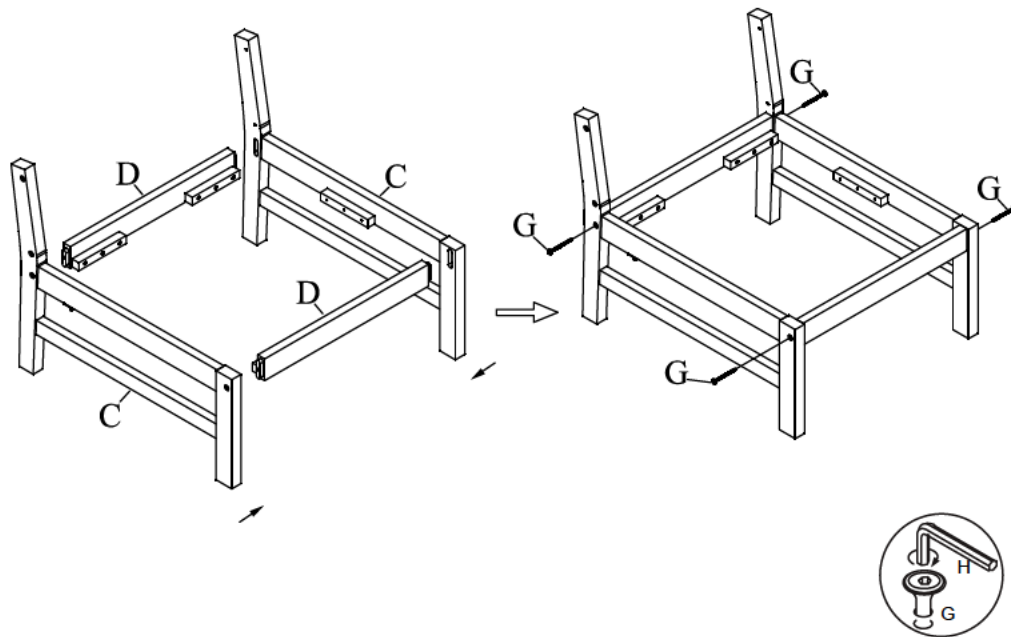
PREPARATION

Before beginning assembly of product, make sure all parts are present. Compare parts with package contents list and hardware contents list. If any part is missing or damaged, do not attempt to assemble the product.

Estimated Assembly Time: 10 minutes.

Tools Required for Assembly (included): Allen Key

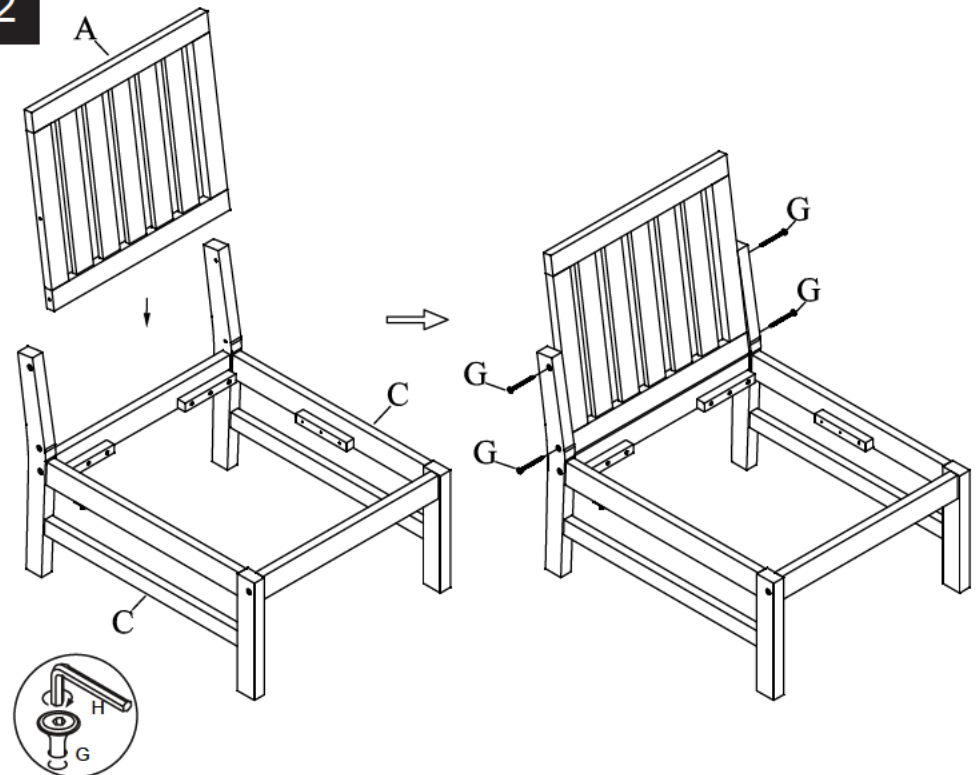
1



Step 1

Attach Front & Back Brace Bar (D) to Leg Frame (C) by using Screw (G) tighten with Allen Key (H).

2



Step 2

Attach Back Frame (A) to Leg Frame (C) by using Screw (G) tighten with Allen Key (H).

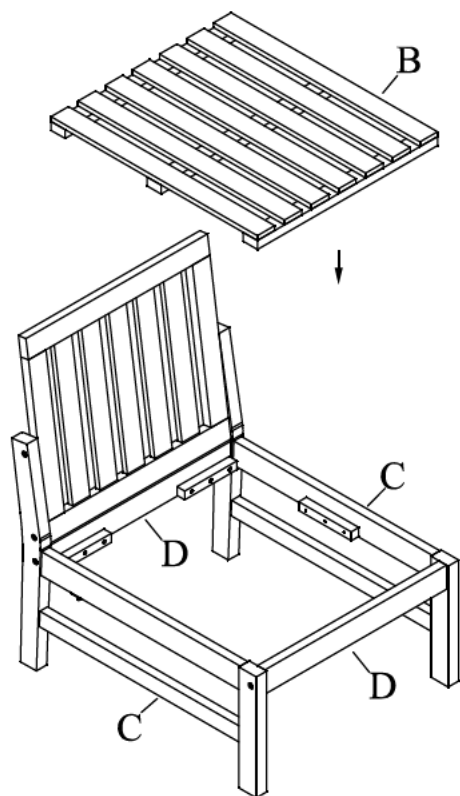
PREPARATION

Before beginning assembly of product, make sure all parts are present. Compare parts with package contents list and hardware contents list. If any part is missing or damaged, do not attempt to assemble the product.

Estimated Assembly Time: 10 minutes.

Tools Required for Assembly (included): Allen Key

3



Step 3

Attach Seat Frame (B) to Front & Back Brace Bar (D) and Leg Frame (C).

4



Step 4

Note: This is an optional step in case you want to connect the Right Arm Chair, Left Arm Chair and Armless Chair. It should be done before securing Cushions. With assistance from your adult partners, rotate the latches onto the pre-fixed clips to connect the items together.

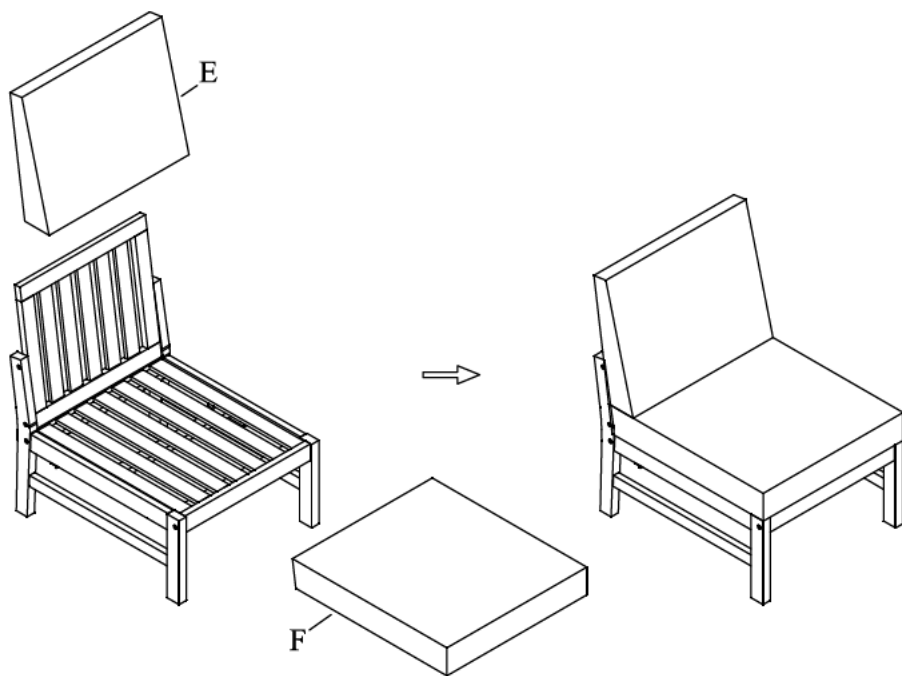
PREPARATION

Before beginning assembly of product, make sure all parts are present. Compare parts with package contents list and hardware contents list.
If any part is missing or damaged, do not attempt to assemble the product.

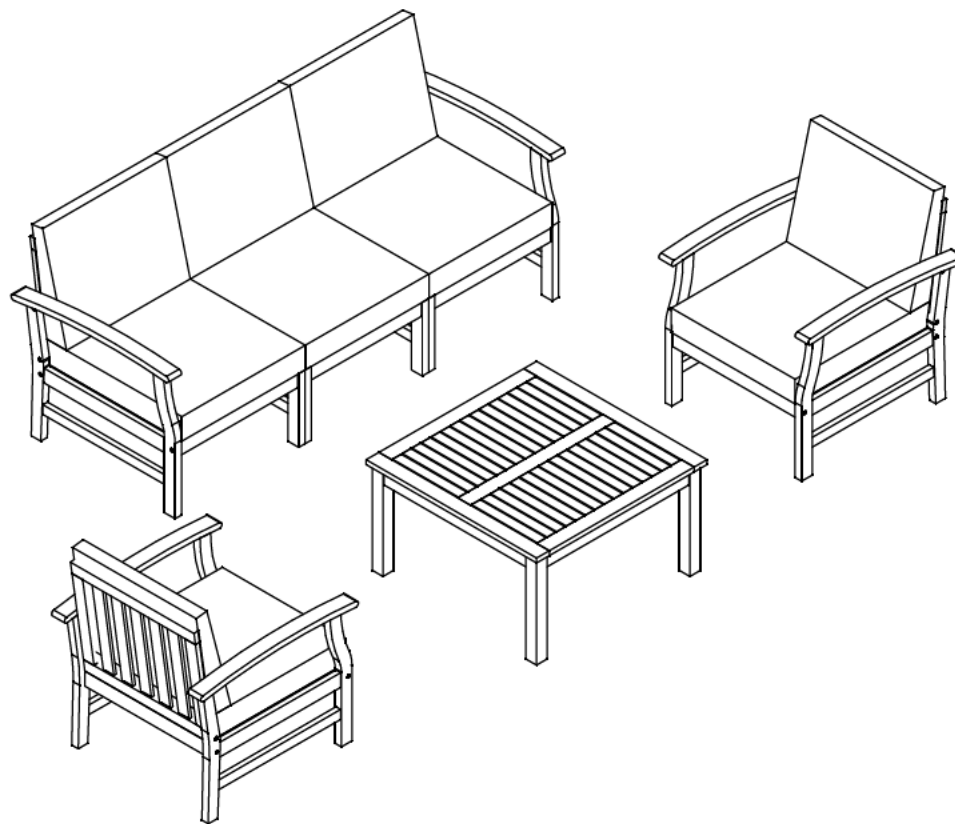
Estimated Assembly Time: 10 minutes.

Tools Required for Assembly (included): Allen Key

5



6



Step 5

Attach cushion seat and cushion back.

Step 6