

INSTALLATION INSTRUCTIONS

THANK YOU FOR CHOOSING OUR PRODUCTS !

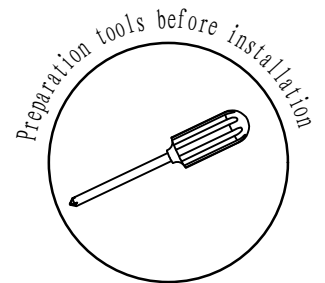
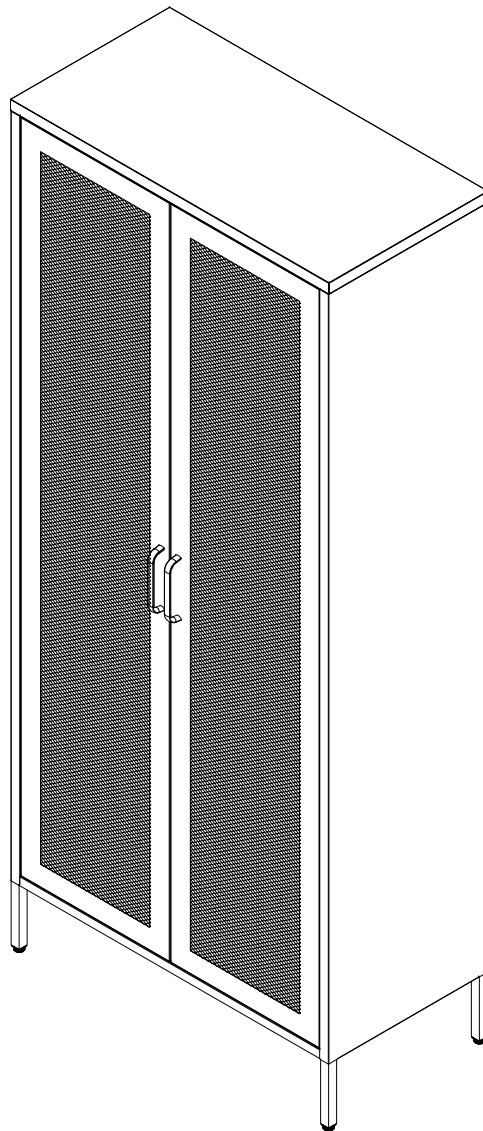
Before Assembly:

1. Please confirm the completeness of the components and the part according to the Parts Diagram. If you have any question, Please contact with us on Amazon and our Professional Customer Service Team will approve all you need within 24 hours.
2. It's not too difficult to assemble, But it will be easier if there is another one assemble it with you.

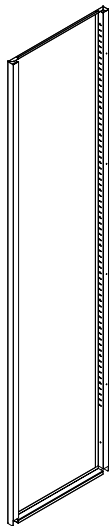
During Assemble:

1. Please pay attention that some components may be a little sharp, Take care.
2. During assembly, please fix the screws temporarily and tighten them at last.

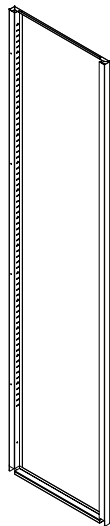
Tips: You can also check videos of installation on Amazon.



A*1



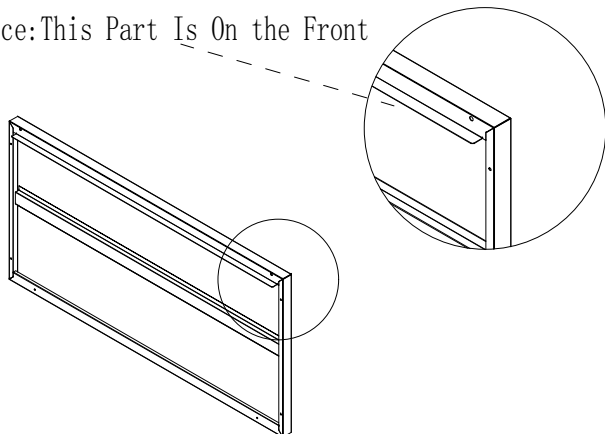
M*1



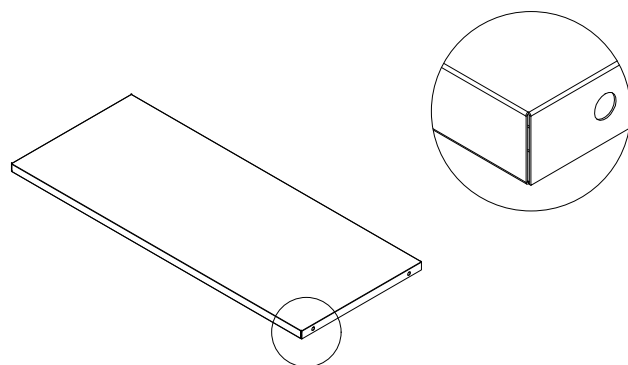
B*2



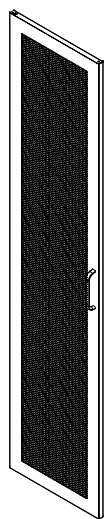
Notice: This Part Is On the Front



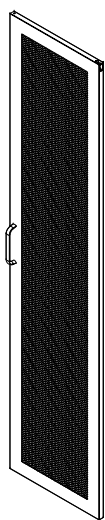
C*1



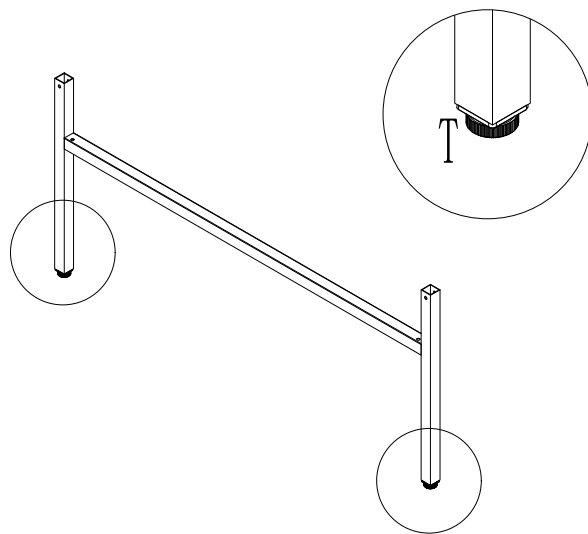
D*5



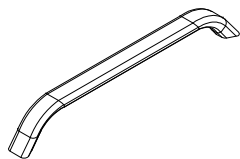
E*1



F*1



H*2



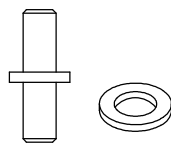
G*2



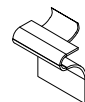
I*24



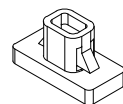
J*4



K*2



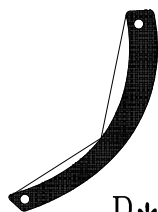
L*16



Q*4



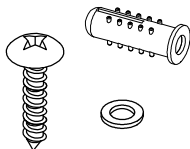
O*2



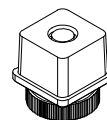
P*2



R*4



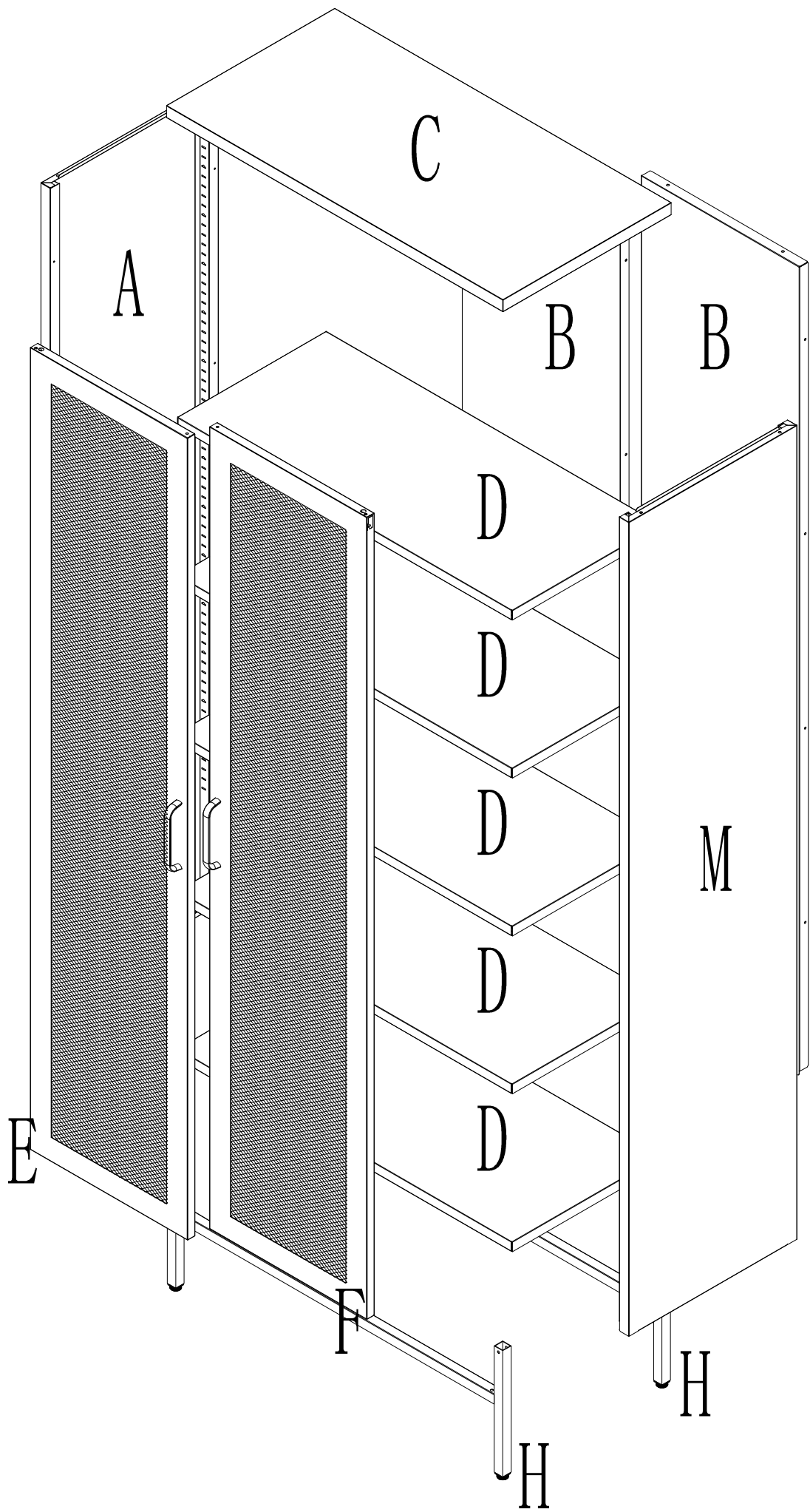
S*2



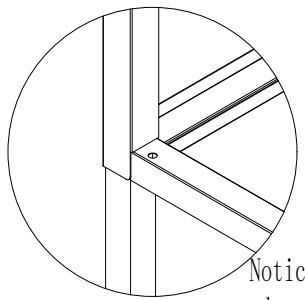
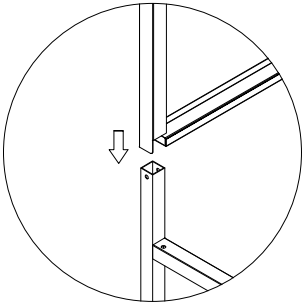
T*4



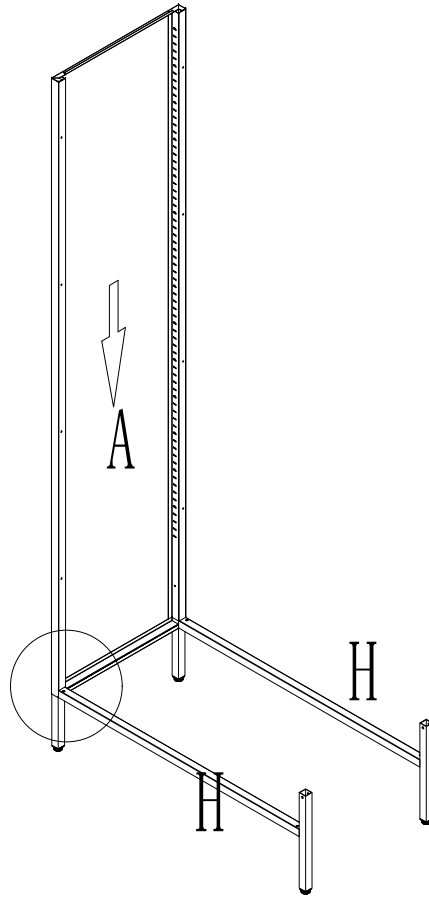
Z*2



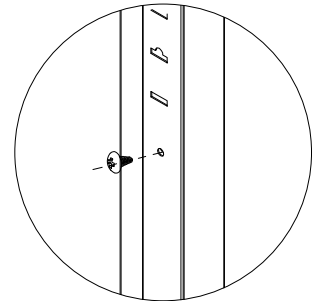
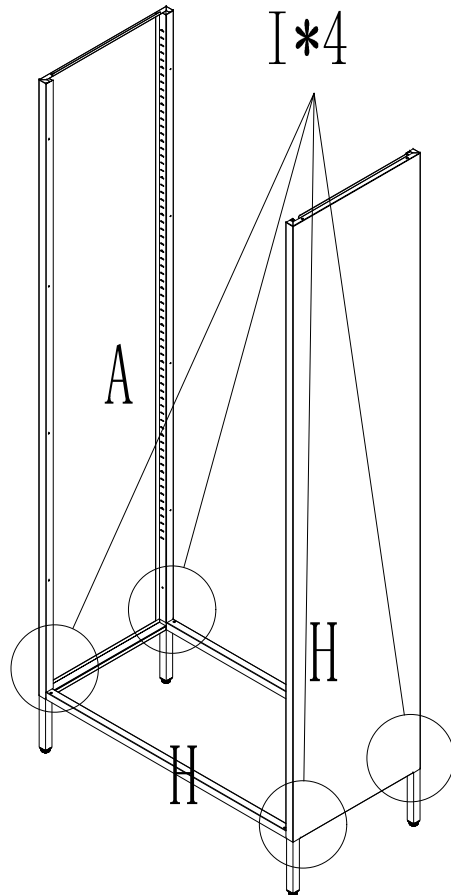
1



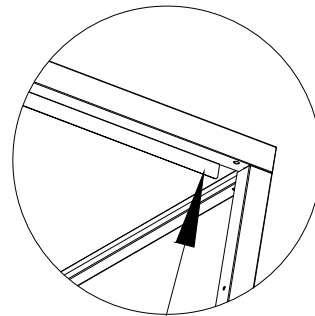
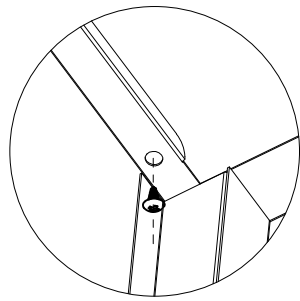
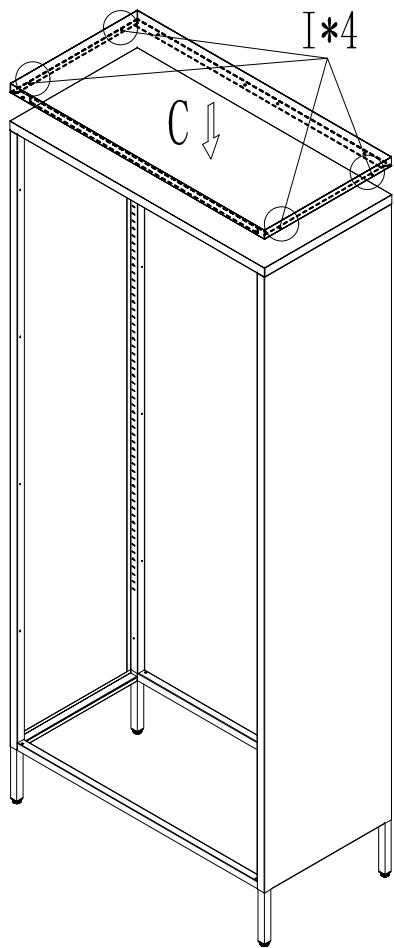
Notice: The holes near the edge are facing outwards!



2



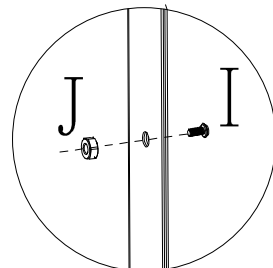
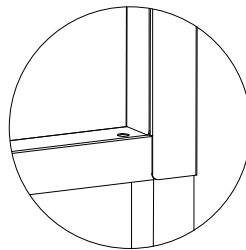
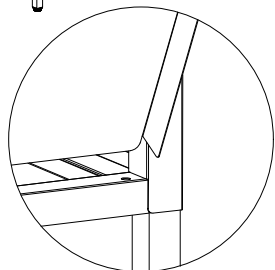
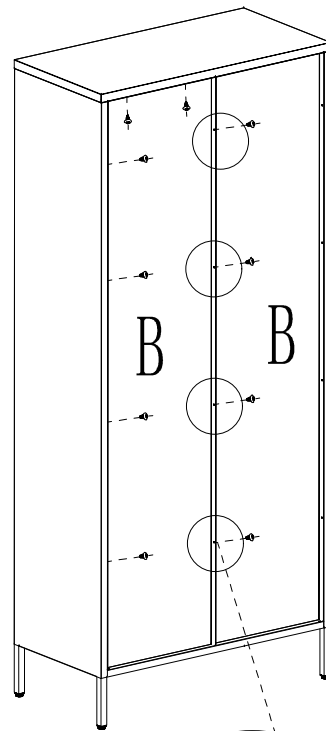
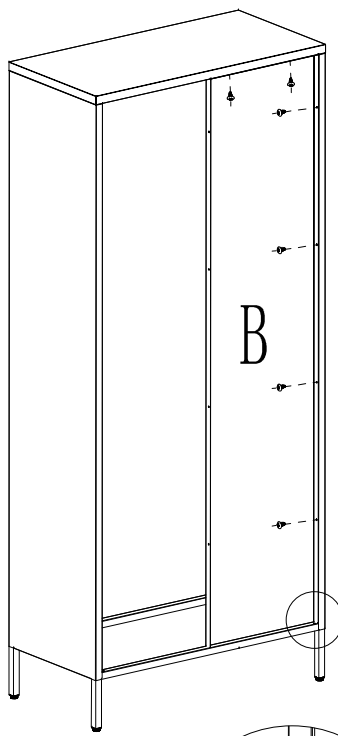
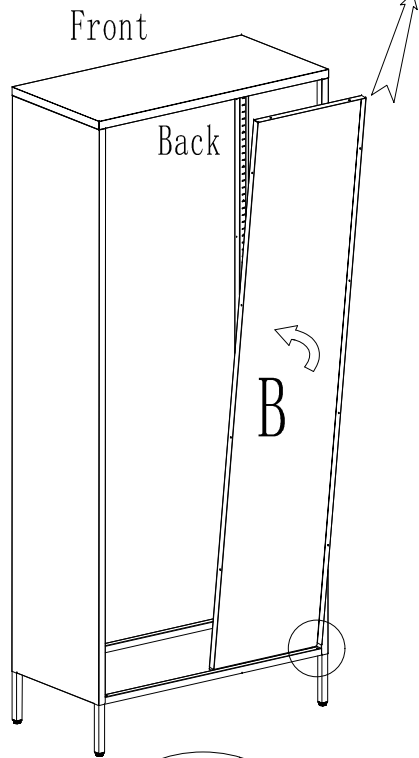
3



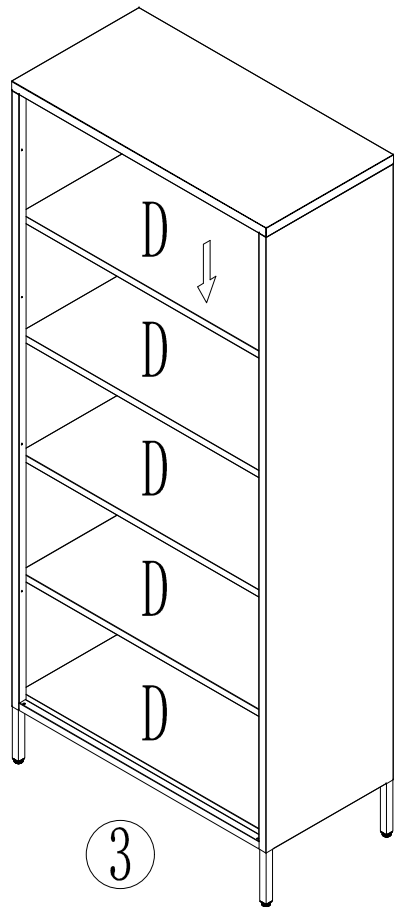
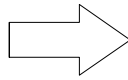
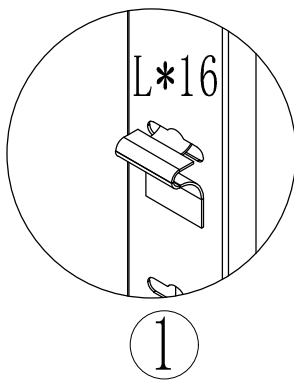
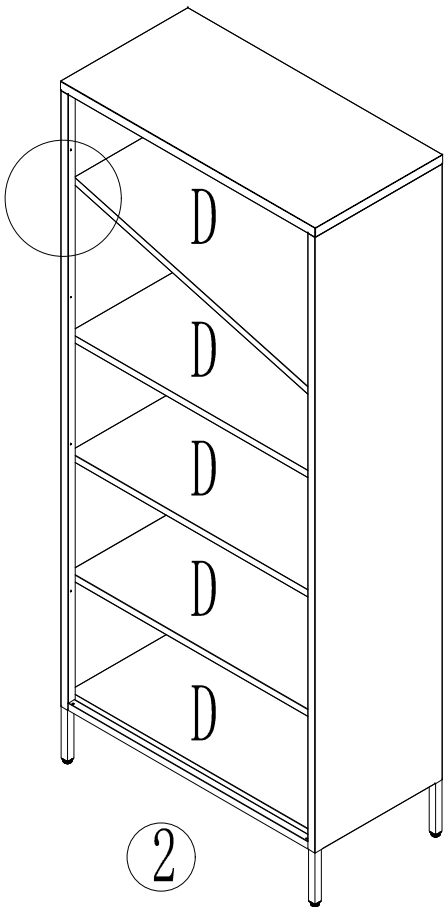
Notice: This part is on the front

4

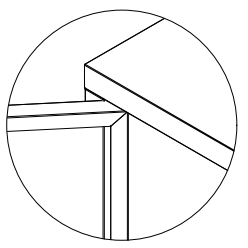
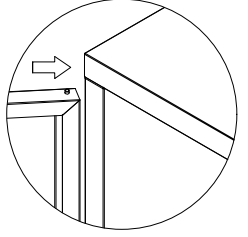
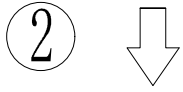
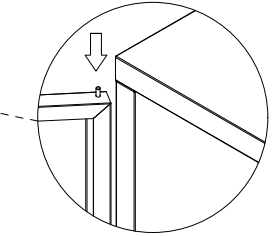
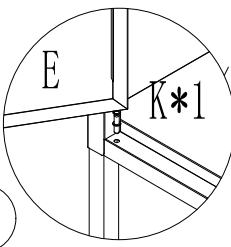
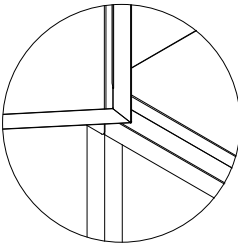
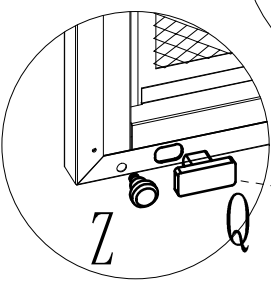
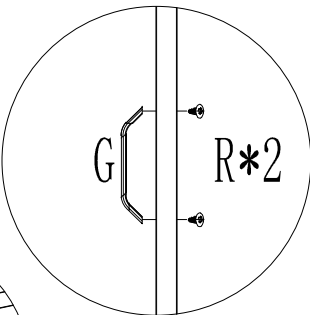
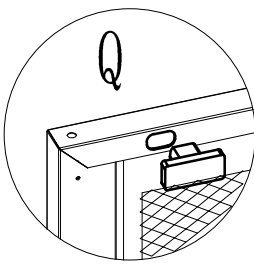
Notice: The concave surface of B faces outward !



5

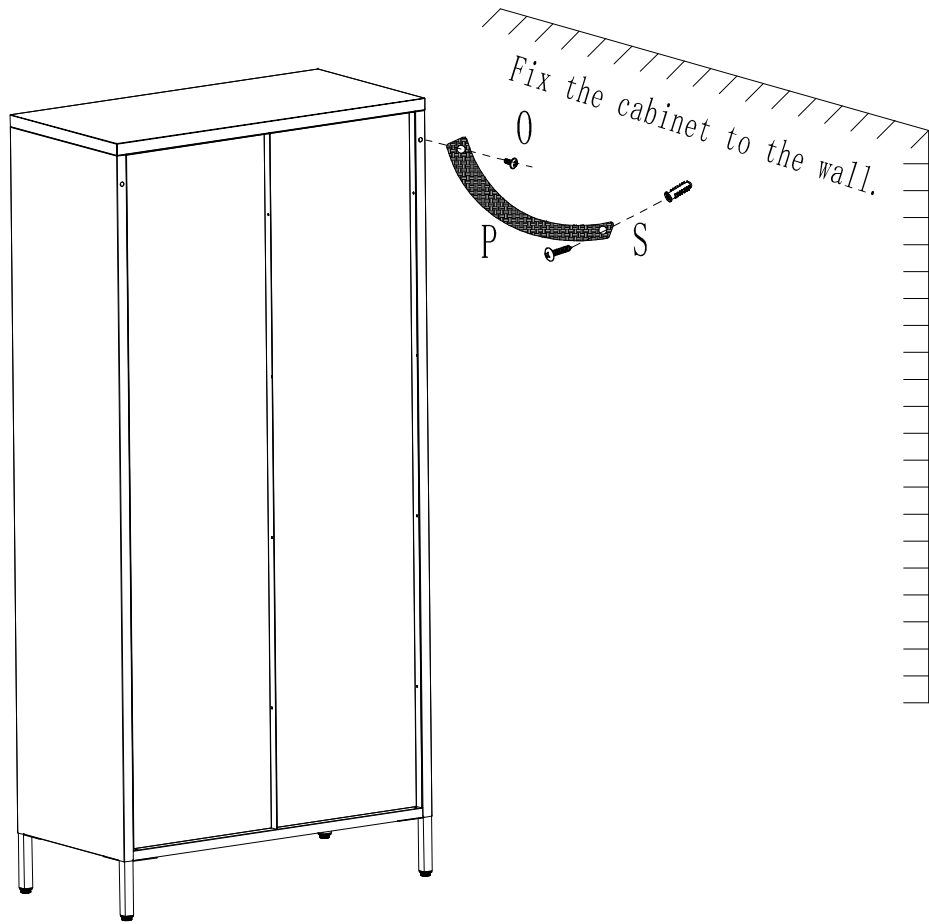


6



Notice: Put a rubber ring on the door shaft!

7



8

