

Thank you for your purchase!



# FILLABLE UMBRELLA BASE

## ASSEMBLY INSTRUCTIONS

### **Before You Begin:**

Please identify all component parts and hardware pieces required before you begin. Carefully remove all of the components from the packaging and set aside for assembly. Assemble on a soft surface to prevent scratching during assembly.

### **Caution:**

Tighten all components securely before use. Failure to do so may result in personal injury. DO NOT use any sharp objects to open plastic wrapped components as damage to product or components may result.

### **Warning:**

**CHOKING HAZARD** - Small Parts. Adult Assembly Required.

### **DO NOT ALLOW CHILDREN TO CLIMB ON FURNITURE**

Serious or fatal injuries can occur from furniture tipping over. You must install Tipping Restraint Hardware (where included) to help prevent the unit from tipping and causing accidental injury, instability, death or damage. The tipping restraint is intended only as a safety measure, it is not a substitute for proper adult supervision.

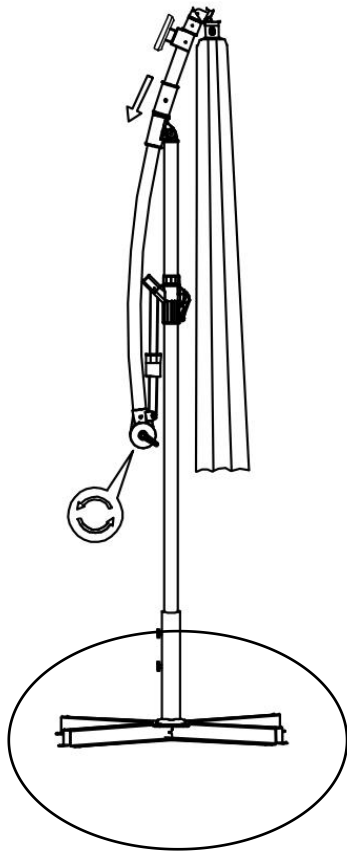
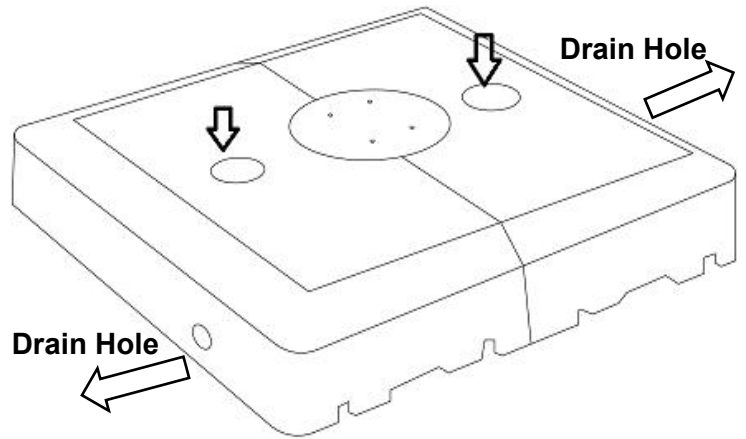
To help prevent furniture from tipping over it must be permanently attached to the wall. Anti-Tip Safety Wall Straps suitable for the unit weight and wall materials (if not included) should be purchased and installed.

## STEP

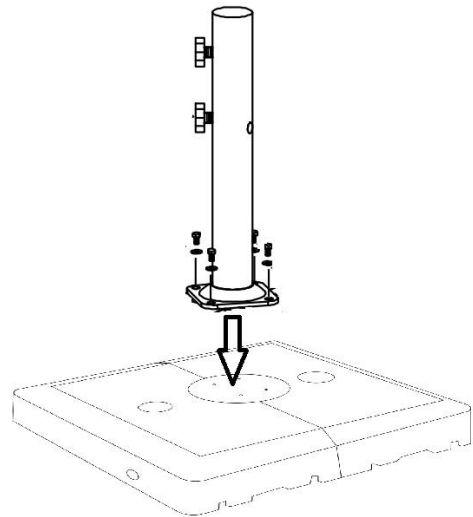
Twist the caps to remove then add water, sand, or both to the base making sure it has sufficient weight for your umbrella.

### Max Weight Capacity:

Water only	Sand only	Water +sand
220 lbs	375 lbs	440 lbs



**NOTE: Umbrella and pole for illustration only, not included.**



You may attach an umbrella pole to the base using screws (not included).

## **Quality and Safety Guidelines:**

- Please use this item on a stable, level surface only. Do not use this item if any instability is detected.
- Do not use in windy conditions or inclement weather.
- For maintenance instructions and replacement parts, please email us