

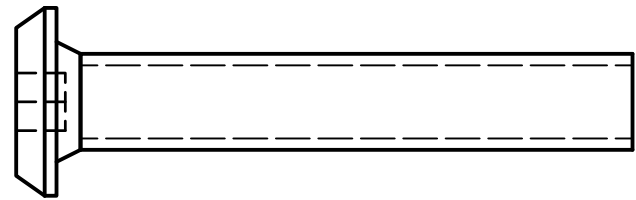
Parts List:

- (1) Hardware Pack
- (2) Leg
- (1) Bench Frame

TOOLS REQUIRED

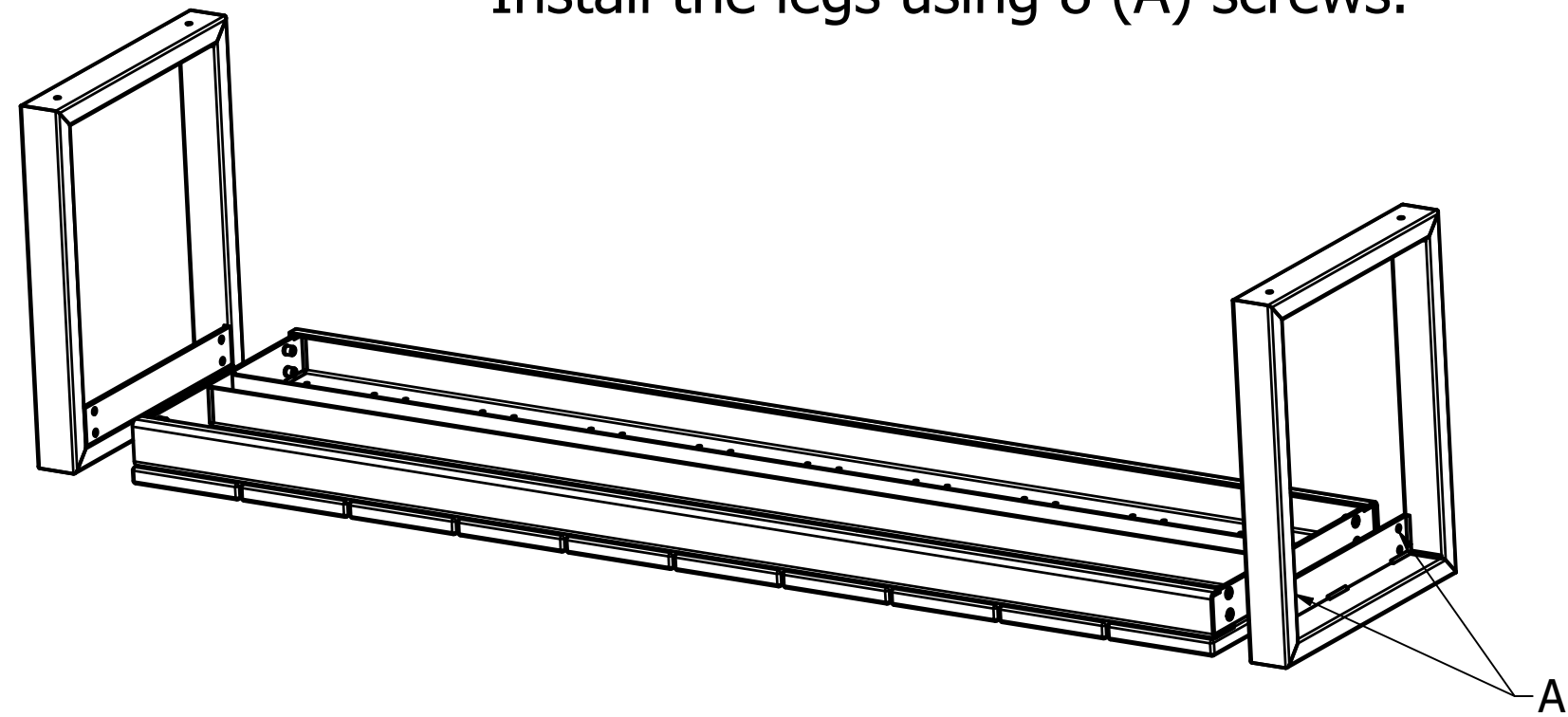
Allen Wrench - Included

- (8) A - $\frac{1}{4}$ -20 x $1\frac{1}{2}$ " Machine Screw



STEP 1:

Lay Bench frame upside down.
Install the legs using 8 (A) screws.



STEP 2:

Insert 4 feet from hardware pack
into legs.

