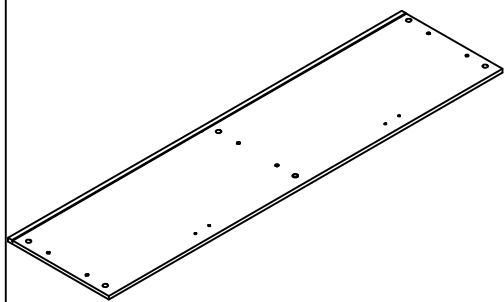
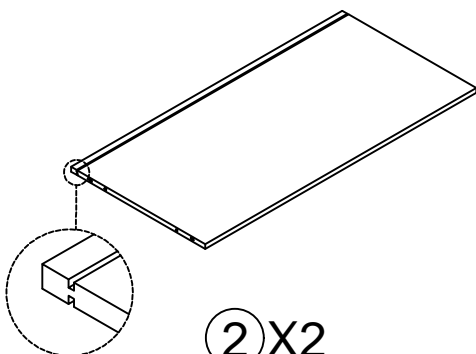


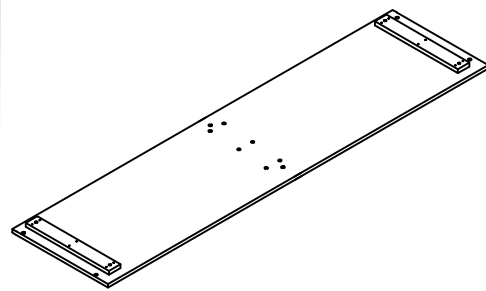
Part list



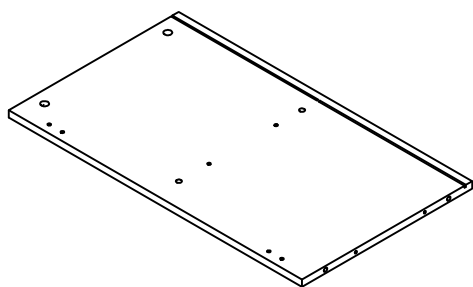
① X1



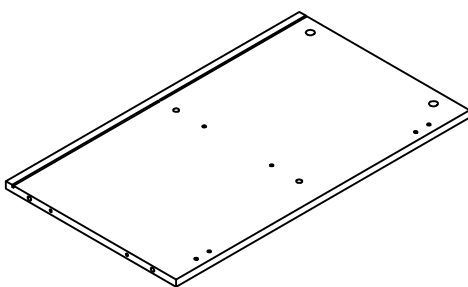
② X2



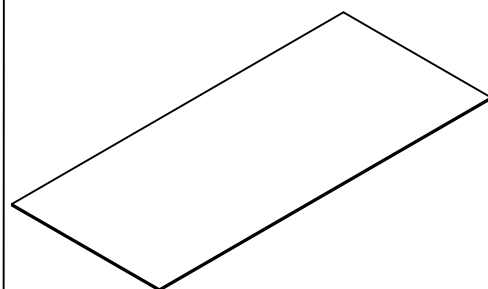
③ X1



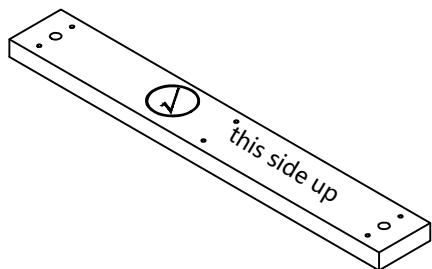
④ X1



⑤ X1



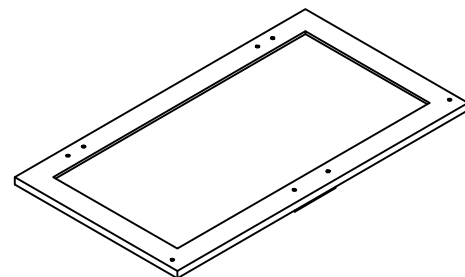
⑥ X4



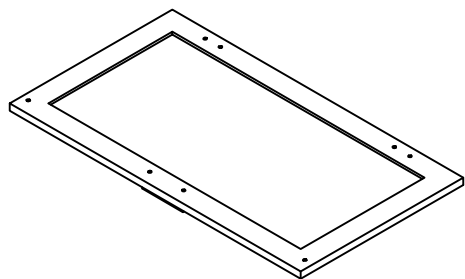
⑦ X1



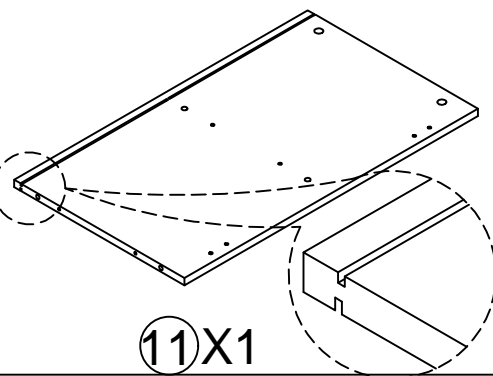
⑧ X6



⑨ X2

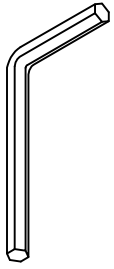


⑩ X2

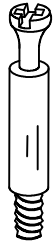


⑪ X1

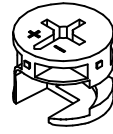
Hardware list



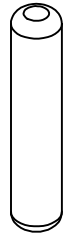
Ⓐ X1



Ⓑ X14



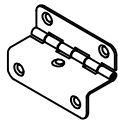
Ⓒ X14



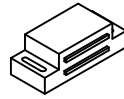
Ⓓ X20



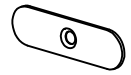
Ⓔ X66



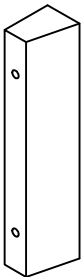
Ⓕ X8



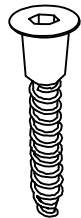
Ⓖ X2



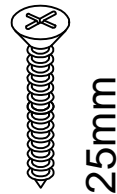
Ⓗ X4



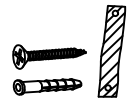
Ⓘ X4



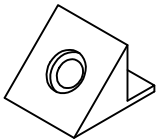
Ⓙ X6



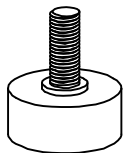
Ⓚ X14



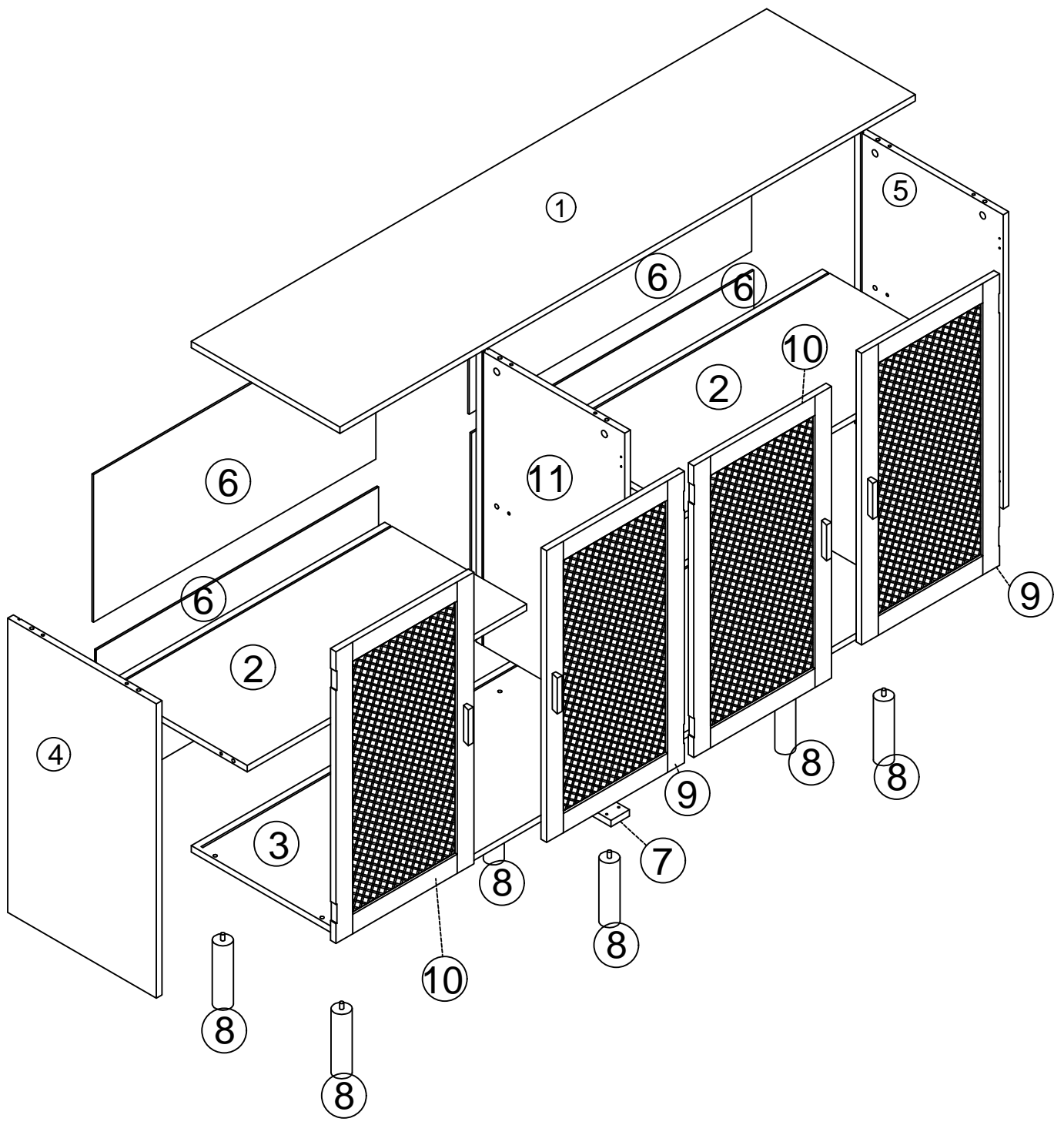
Ⓛ X2



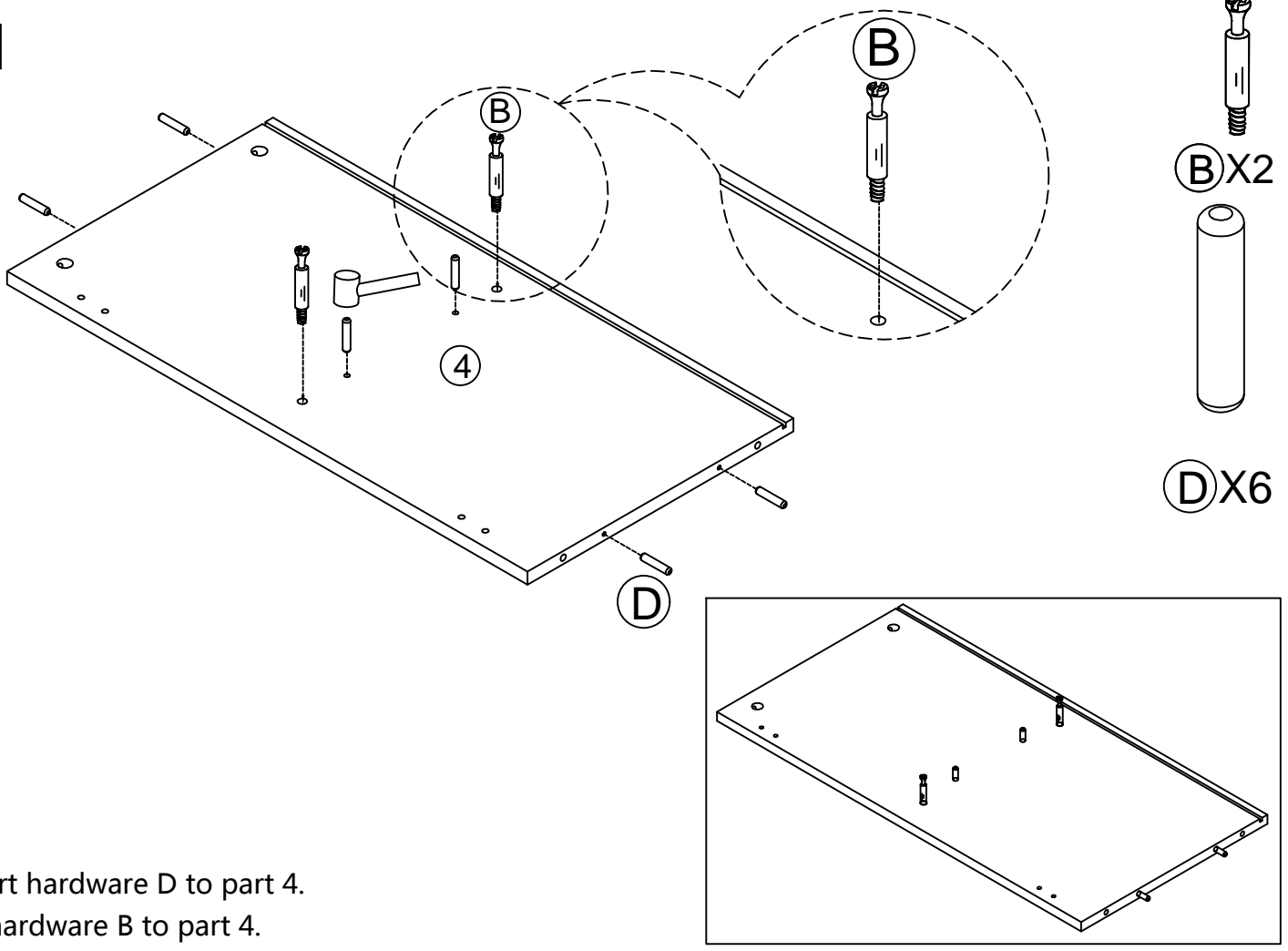
Ⓜ X16



Ⓝ X6

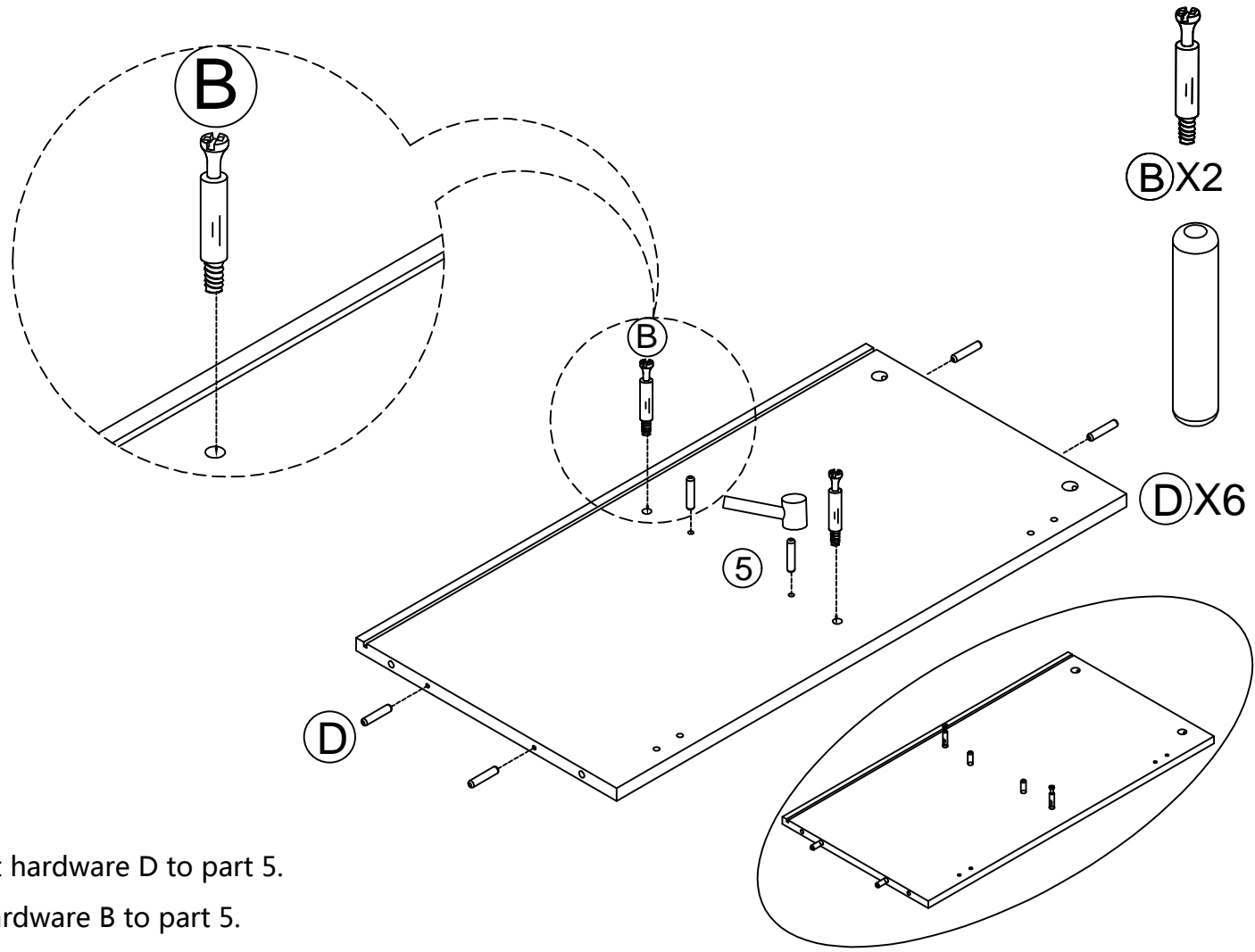


1



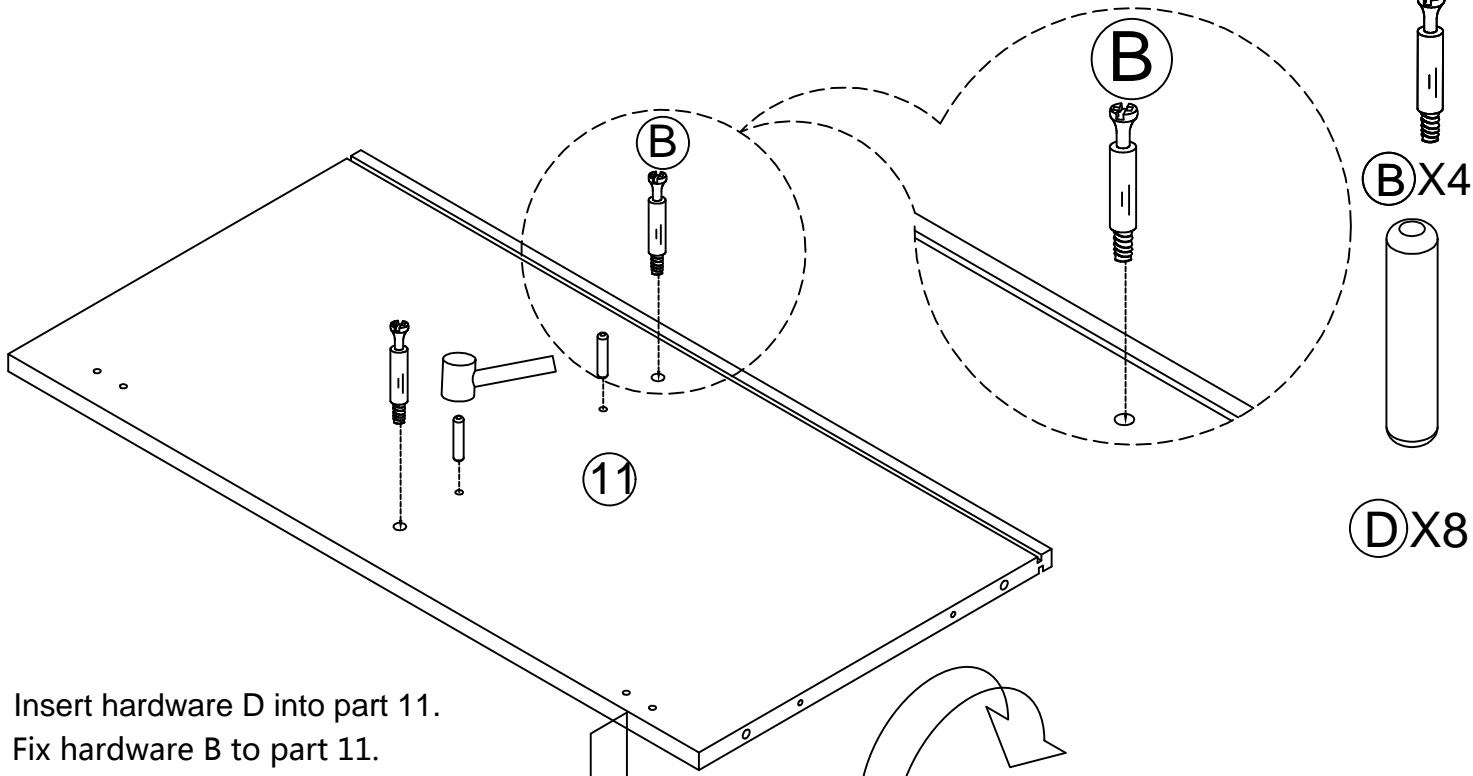
Insert hardware D to part 4.
Fix hardware B to part 4.

2



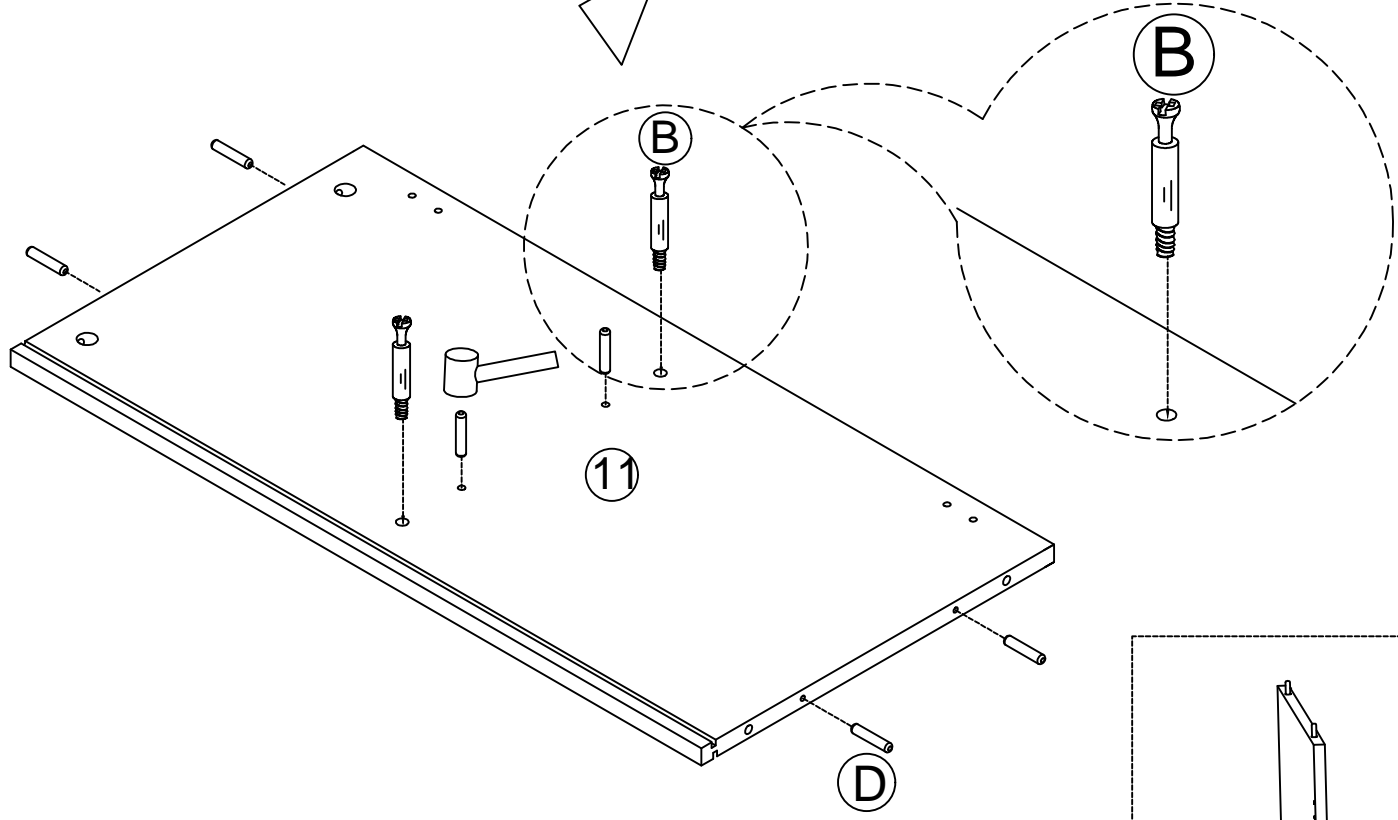
Insert hardware D to part 5.
Fix hardware B to part 5.

3

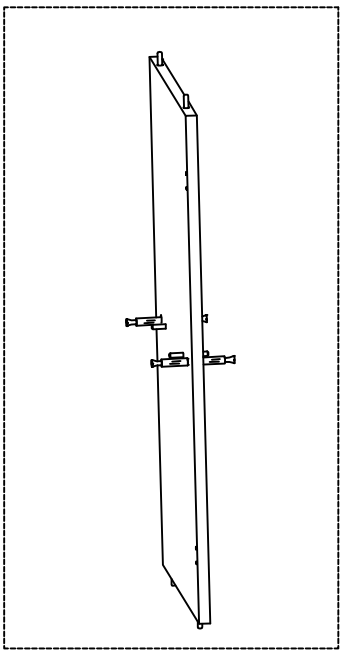


Insert hardware D into part 11.
Fix hardware B to part 11.

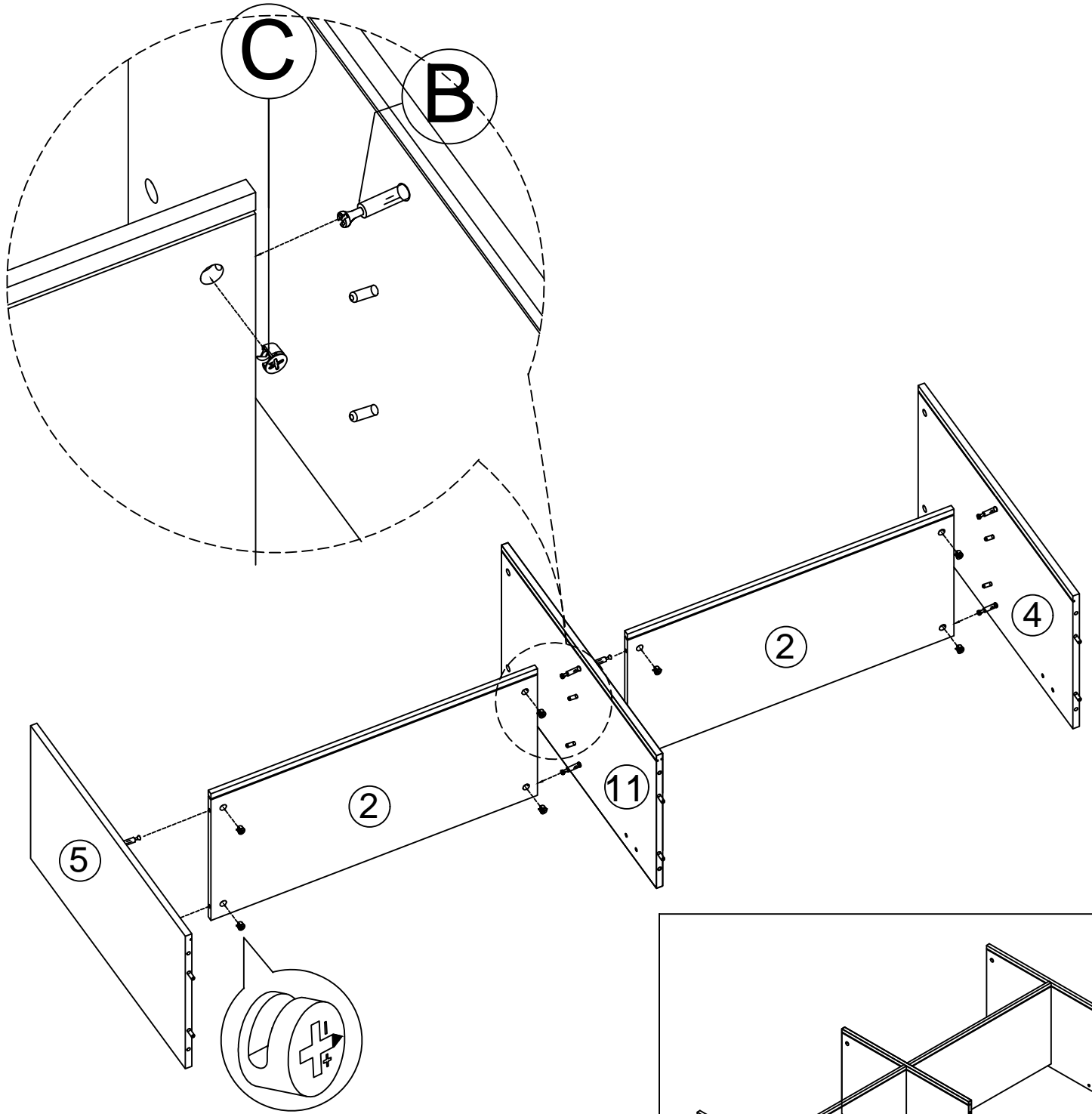
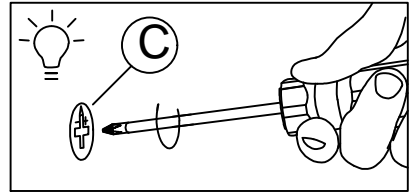
Flip over



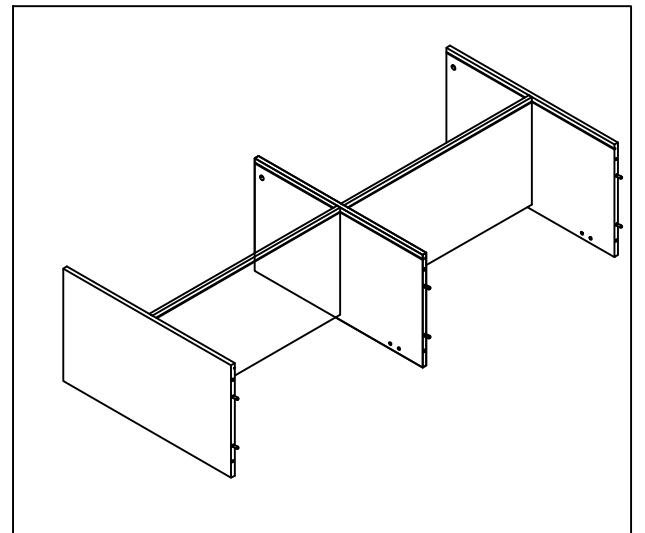
Insert hardware D into part 11.
Fix hardware B to part 11.



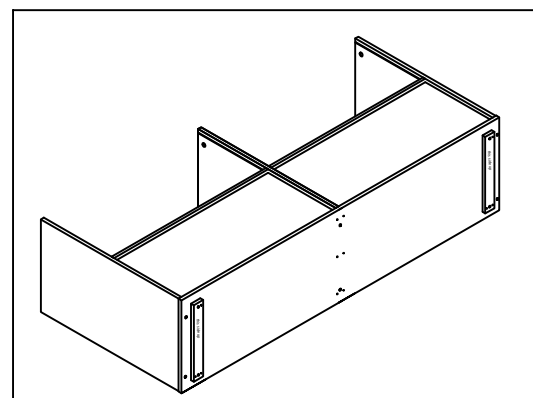
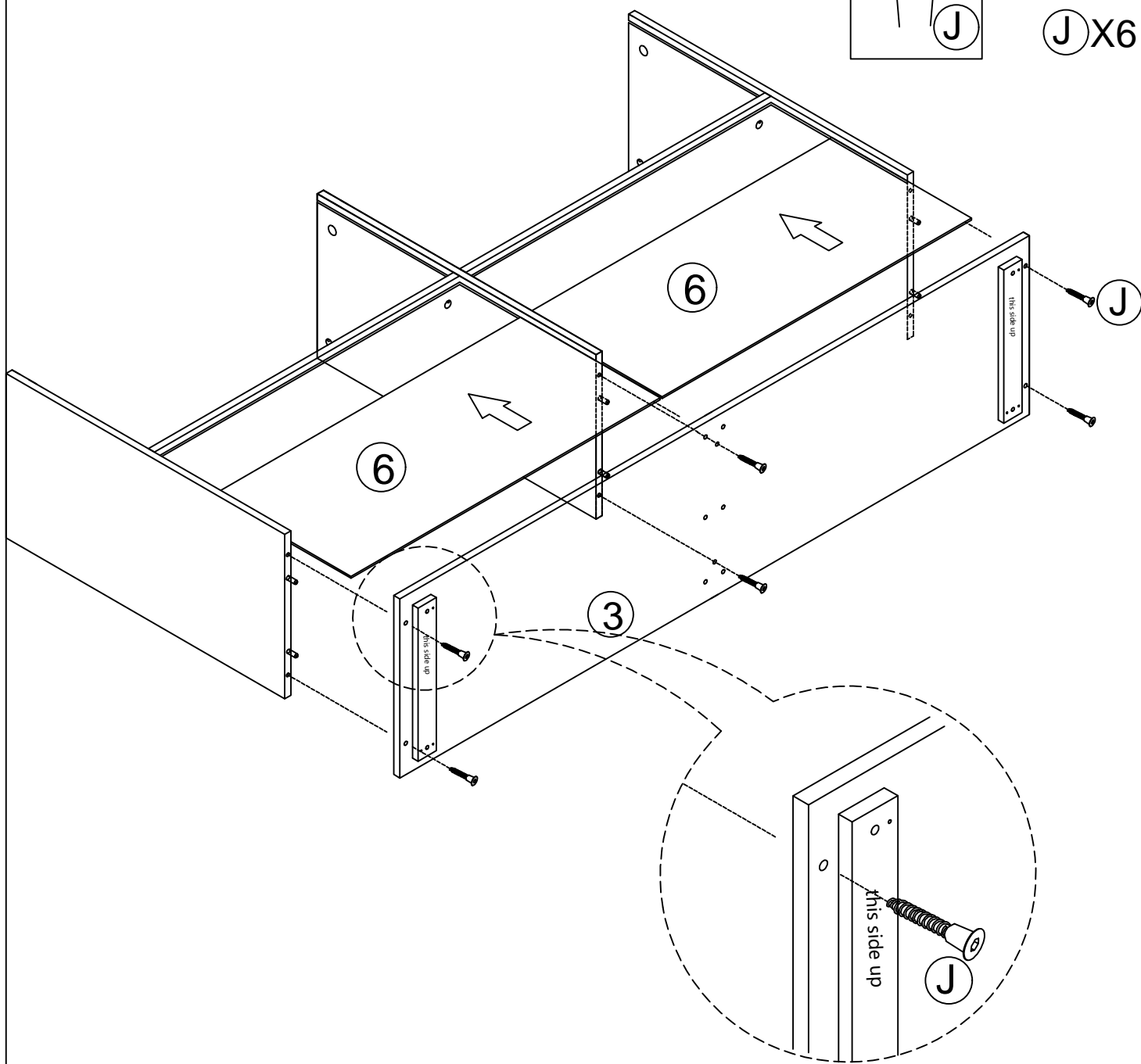
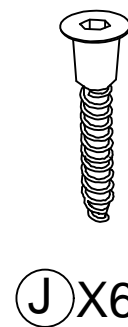
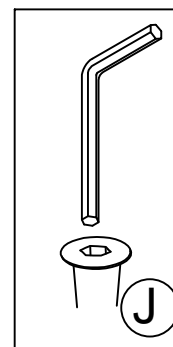
4



Connect parts 5,4, and 11 to part 2 through B and D, and secure them with hardware C.

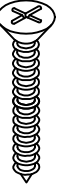
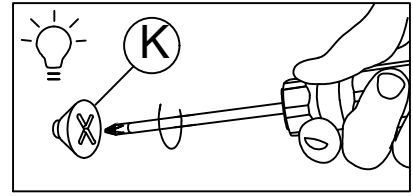


5

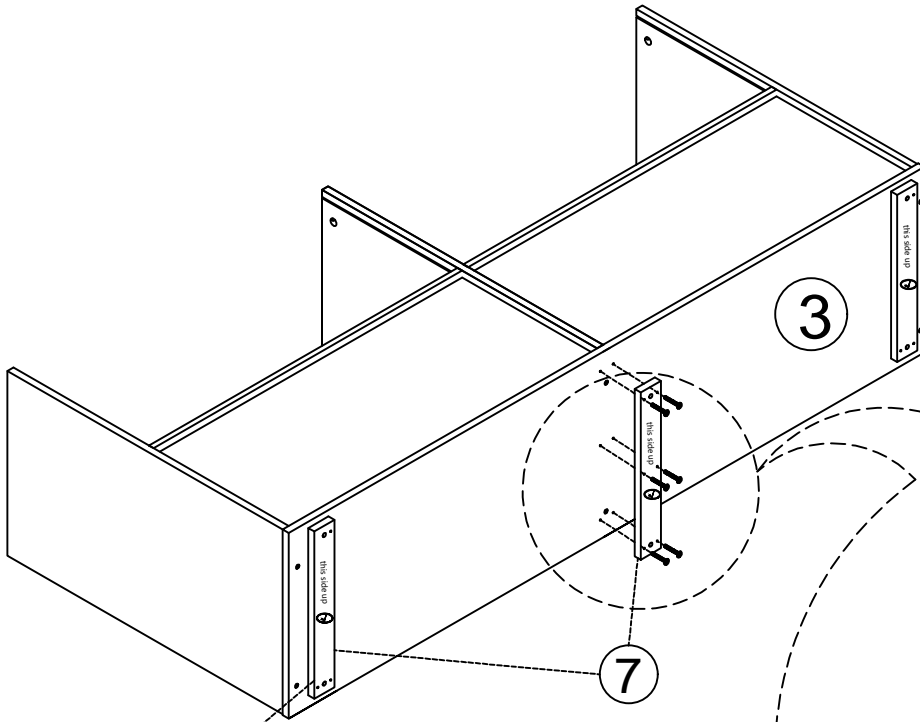


Place Part 6 on the grooves of parts 4,5, and 11.
Connect parts 3 to 4 and parts 5 and 11 through D,
securing them with hardware J.

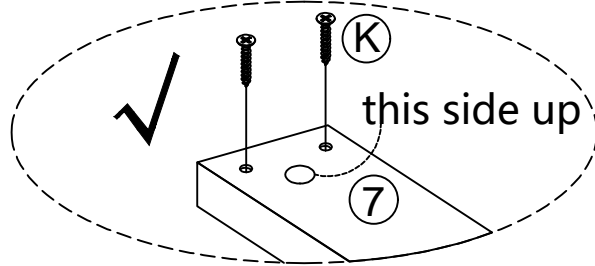
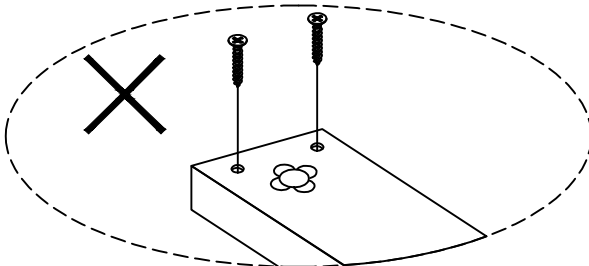
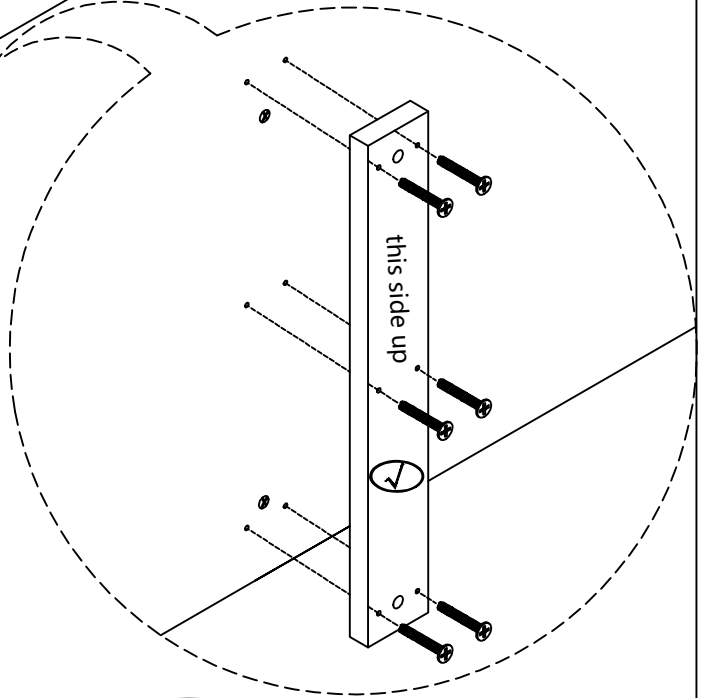
6



Ⓚ X6

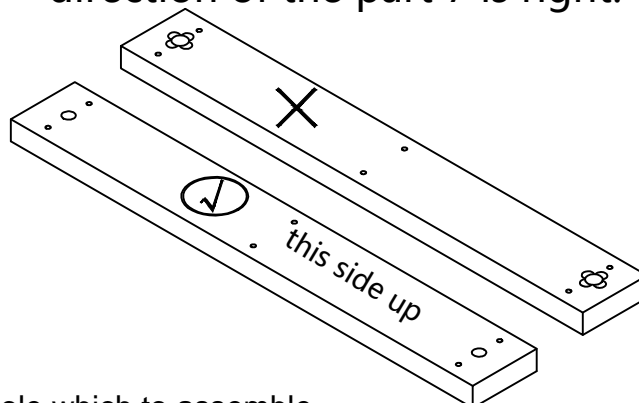


Please refer to this board



 **Attention**

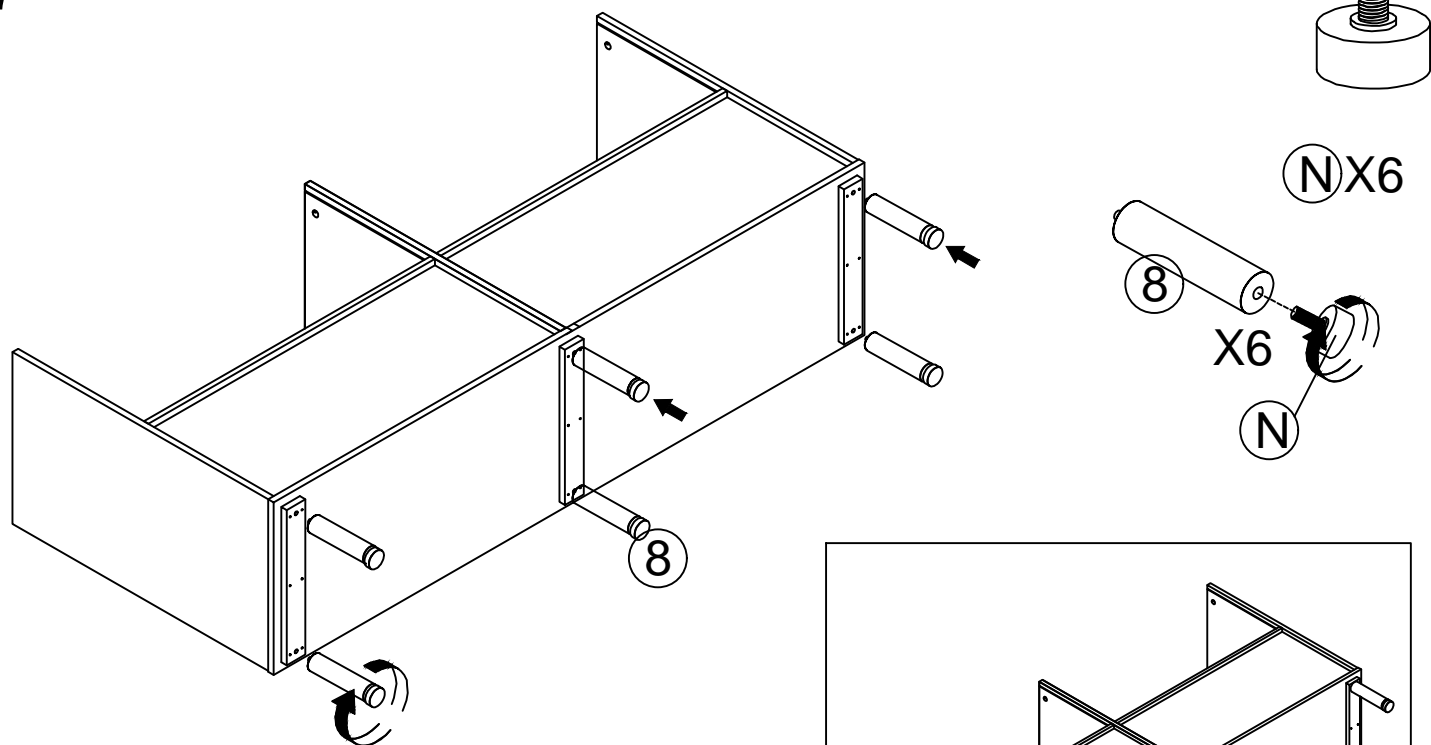
When you assemble the part 7 to the board 3 and see the ✓ facing your face, that means the direction of the part 7 is right.



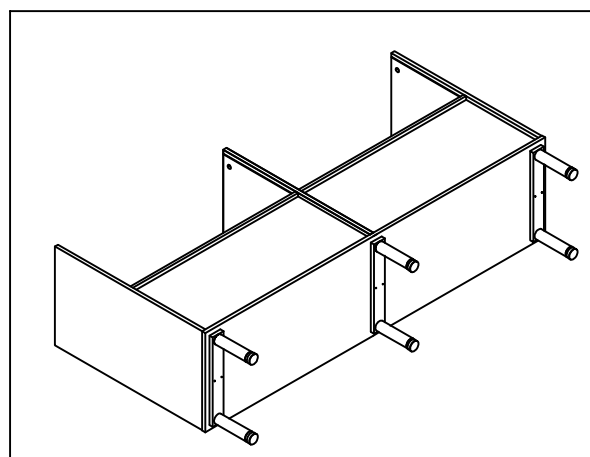
Fix Part 7 to Part 3 with screw K .

Please check the direction of the hole which to assemble the leg

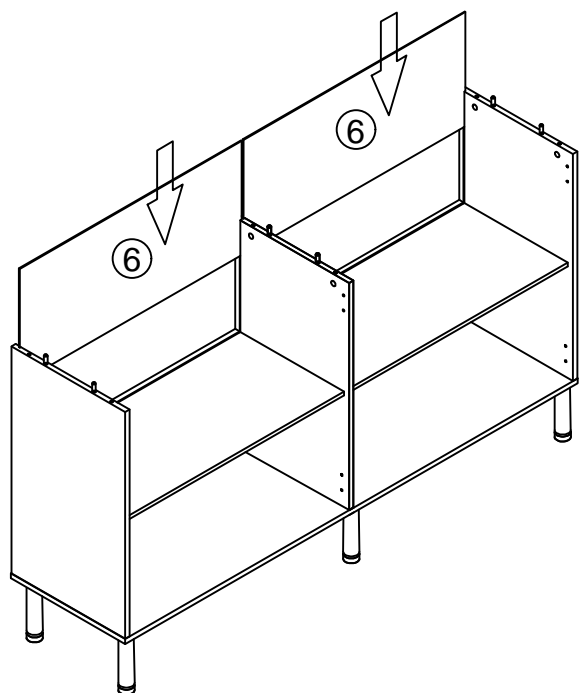
7



Screw piece N to piece 8 as appropriate
 The assembled part 8 is screwed down to part 7
 Fix piece 8 to piece 7 and adjust piece N as appropriate

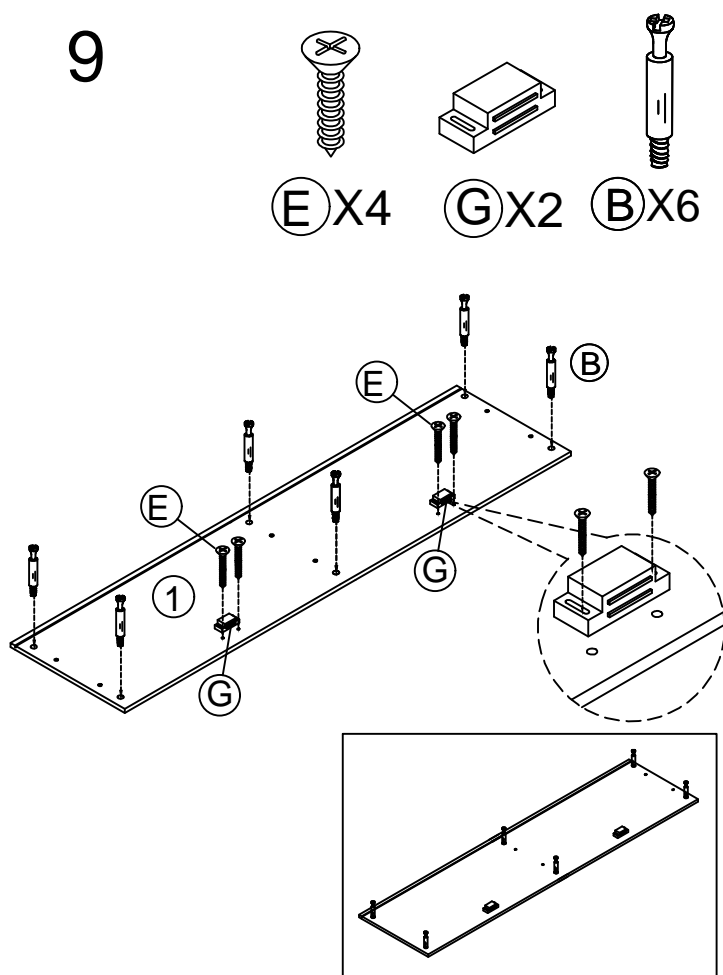


8



Place Part 6 on the grooves of parts 4,5, and 11.

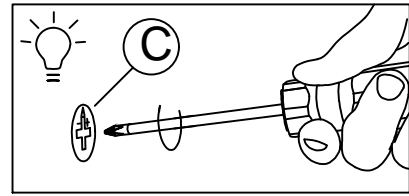
9



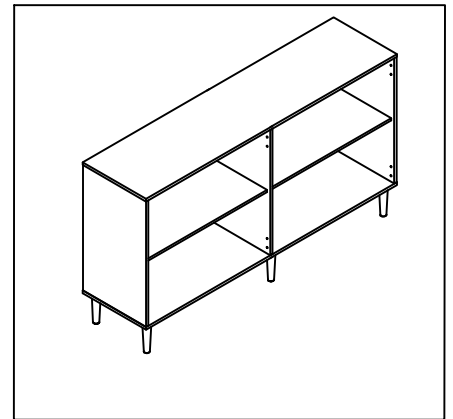
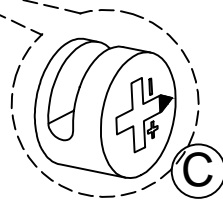
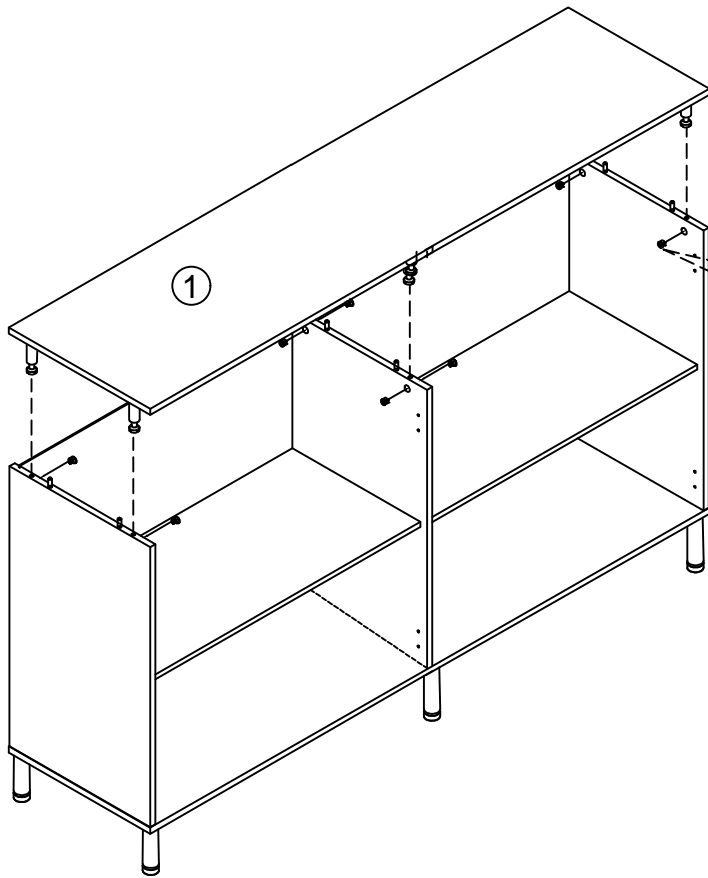
Fix hardware B to part 1.

Fix hardware G to Part 1 with screw E.

10

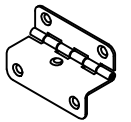
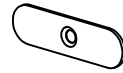
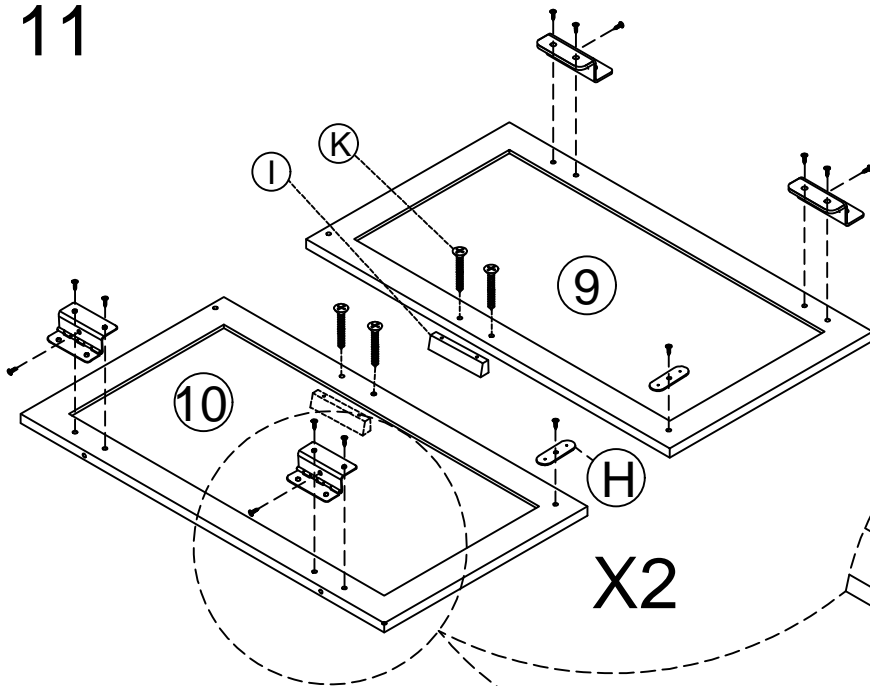


ⓐ X6



Connect parts 5,4,11, and 1 through B and D, and secure them with hardware C.

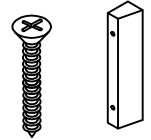
11



ⓔ X28

ⓓ X4

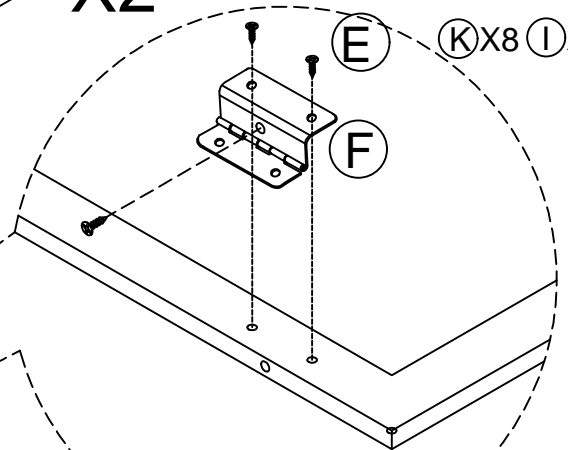
ⓕ X8



Ⓚ X8 Ⓛ X4

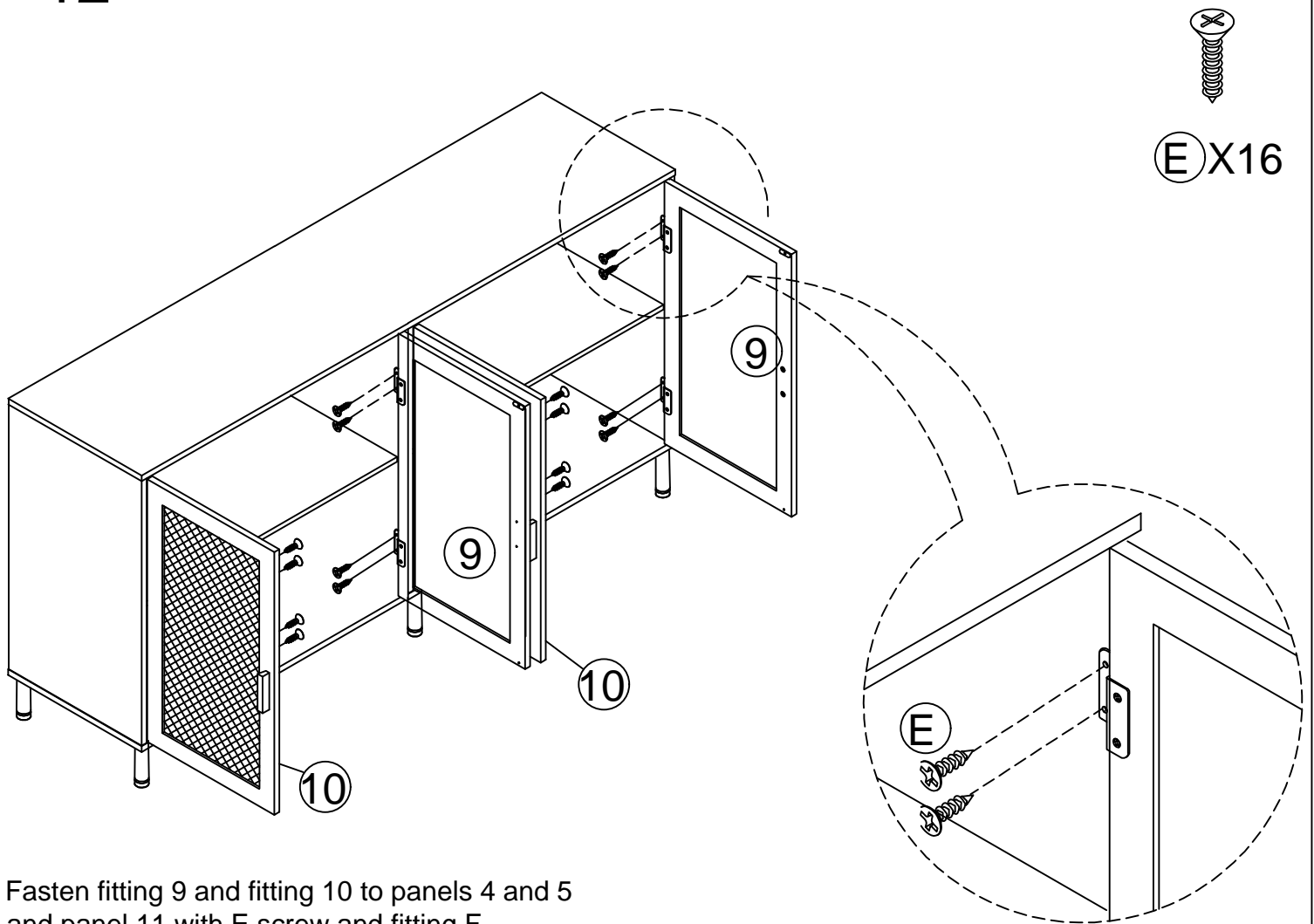
X2

X2



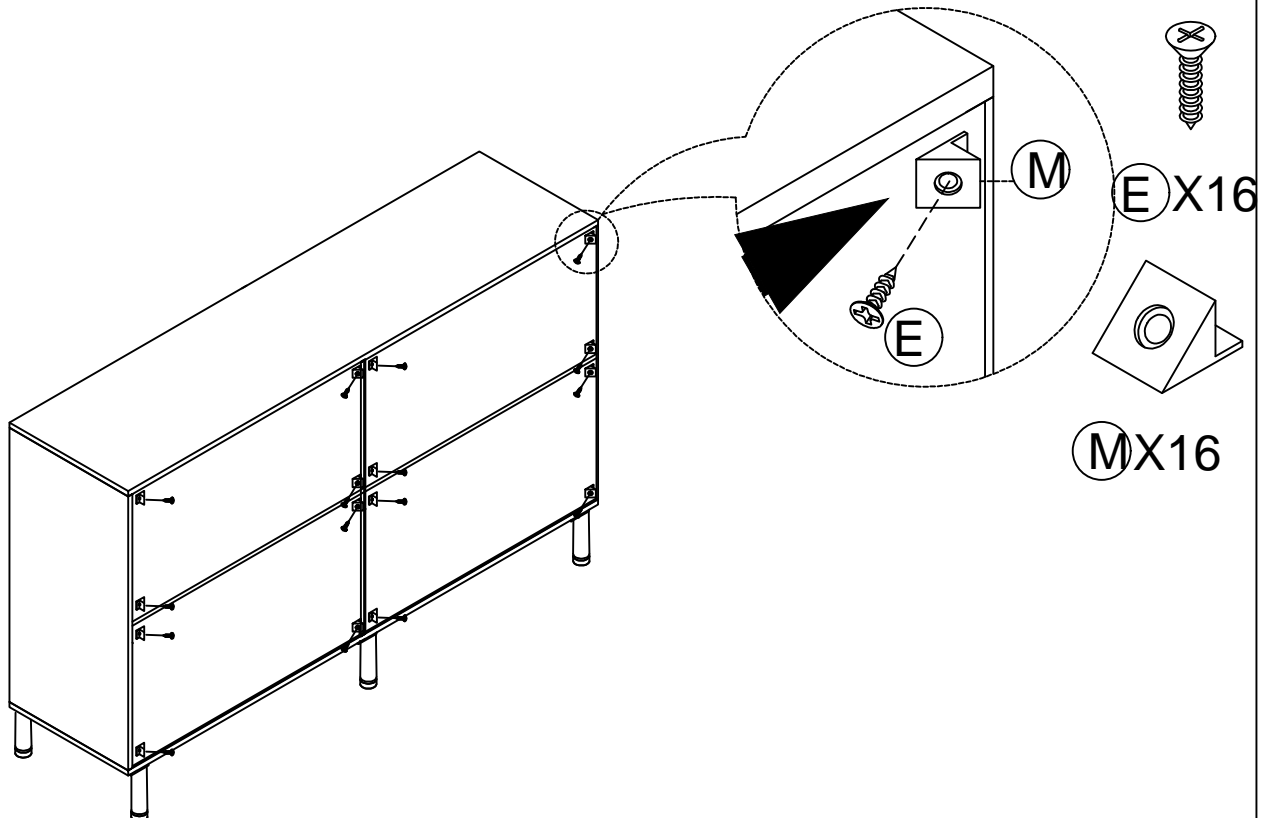
Fix hardware H to part 9 and part 10.
 Fix hardware F to Part 9 and Part 10 with screw E.
 Fix hardware I to Part 9 and Part 10 with screw K.

12



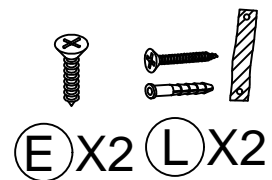
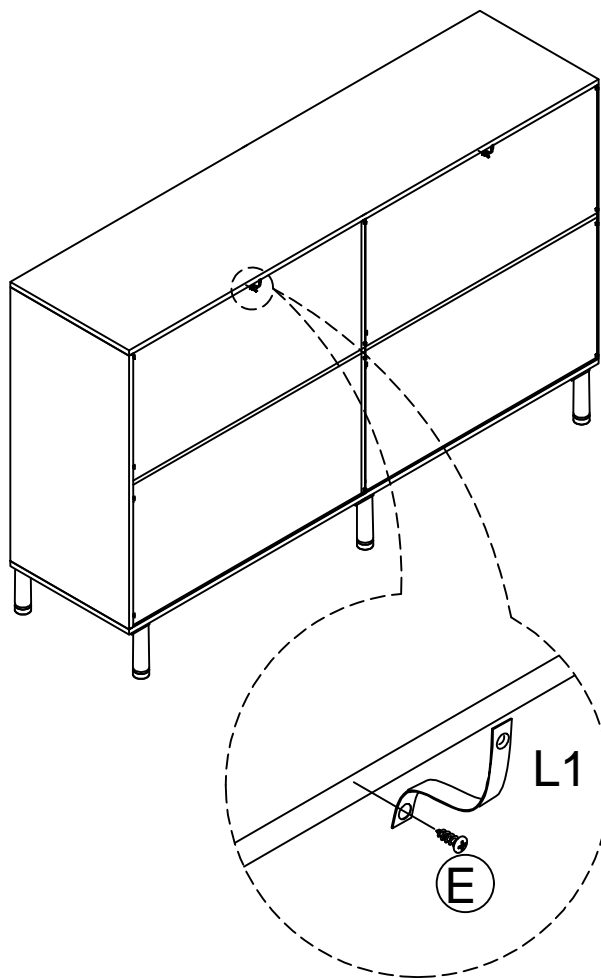
Fasten fitting 9 and fitting 10 to panels 4 and 5 and panel 11 with E screw and fitting F.

13



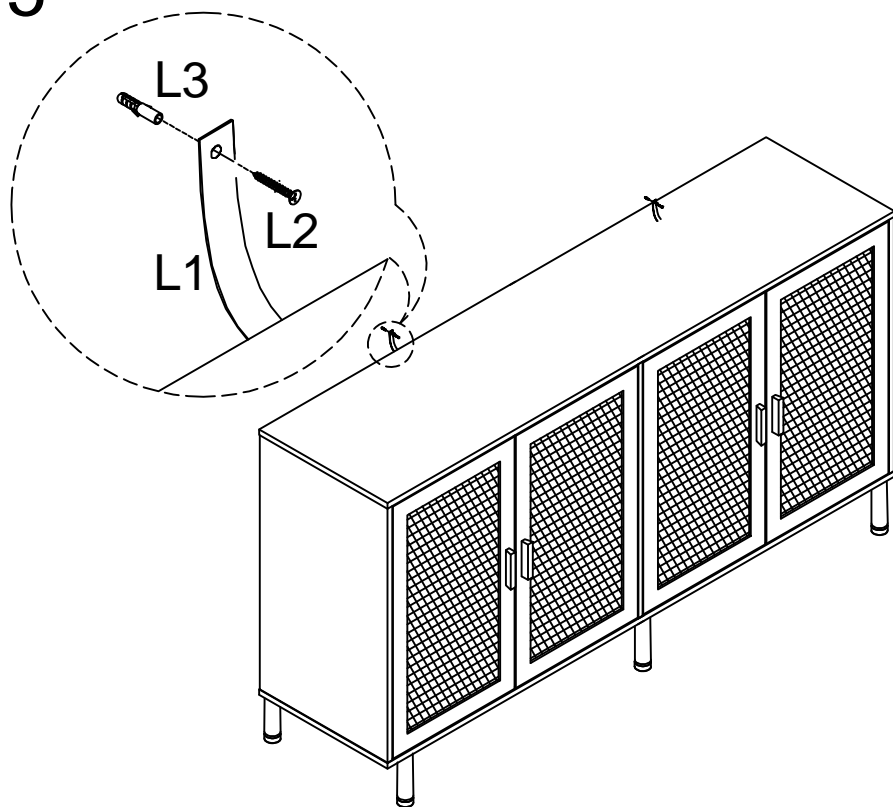
Put hardware M to the groove and tighten them with hardware E .

14



Fix hardware L1 to Part 1 with screw E.

15



Fix hardware L3 to the wall .

Fix hardware L2 to hardware L3 with hardware L1 .